



US00D620319S

(12) **United States Design Patent**
Alexander et al.

(10) **Patent No.:** **US D620,319 S**
(45) **Date of Patent:** **** Jul. 27, 2010**

(54) **DRINK CADDY**

D591,565 S * 5/2009 Goodman et al. D7/637

(76) Inventors: **Linda Agner Dellinger Alexander**, 201 Karen Ct., Cherryville, NC (US) 28021; **Billy Ray Alexander**, 201 Karen Ct., Cherryville, NC (US) 28021; **Janice B. Elmore**, 2629 Brookwood Rd., Lincolnton, NC (US) 28092

* cited by examiner

Primary Examiner—Ian Simmons
Assistant Examiner—Dana L Sipos
(74) *Attorney, Agent, or Firm*—Clements Bernard PLLC; Gregory N. Clements

(**) Term: **14 Years**

(57) **CLAIM**

(21) Appl. No.: **29/297,013**

We claim the ornamental design for a drink caddy, as shown and described.

(22) Filed: **Nov. 1, 2007**

DESCRIPTION

(51) **LOC (9) Cl.** **07-06**

FIG. 1 is a front elevation view of a drink caddy showing our new design;

(52) **U.S. Cl.** **D7/619.2**

FIG. 2 is a rear elevation view thereof;

(58) **Field of Classification Search** D7/590,
D7/600.1, 601–602, 619.1, 619.2, 630; D6/305,
D6/316, 317, 329, 400, 403–405, 449–450,
D6/452–453, 462, 475–476, 512; D11/128;
211/41.1, 41.2, 41.4, 181.1; 220/485–487
See application file for complete search history.

FIG. 3 is a left side elevation view thereof;

FIG. 4 is a right side elevation view thereof;

FIG. 5 is a top plan view thereof;

FIG. 6 is a bottom plan view thereof;

FIG. 7 is a top, right side perspective view thereof;

(56) **References Cited**

U.S. PATENT DOCUMENTS

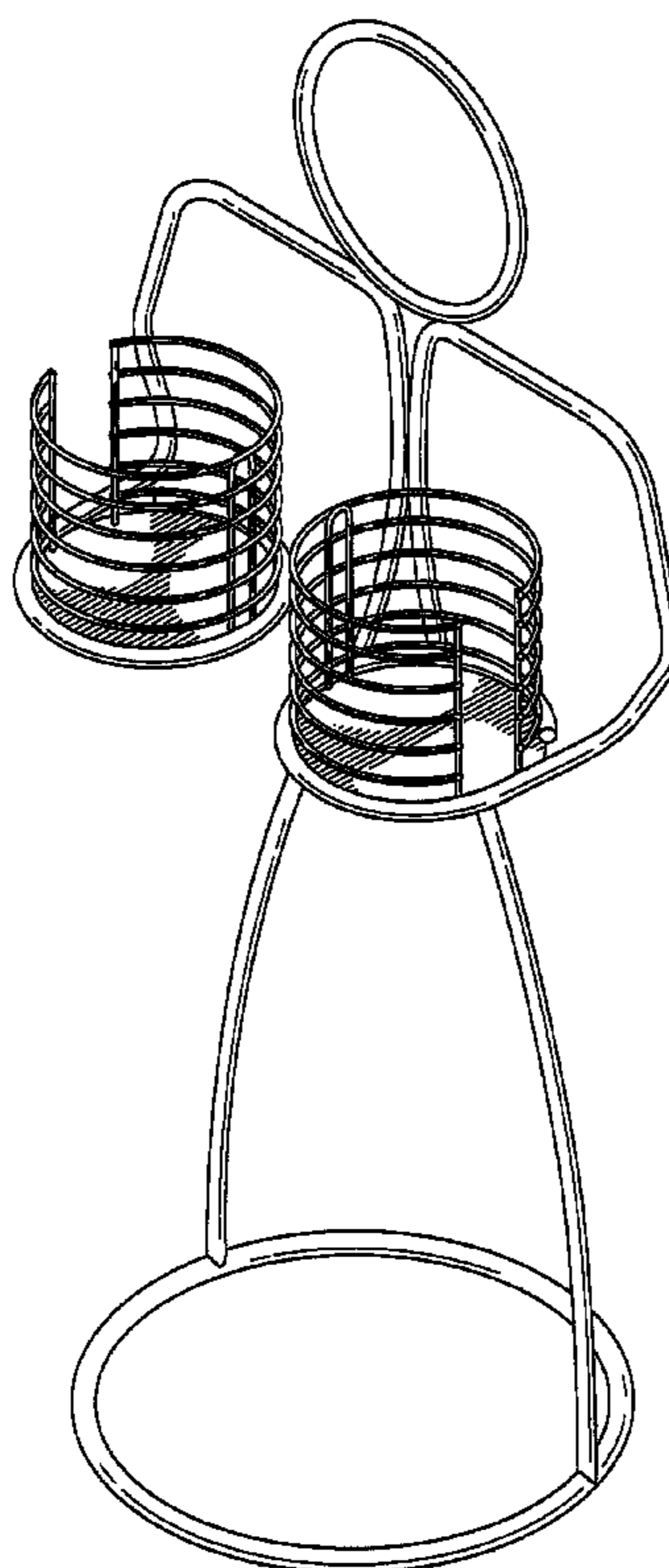
- D213,406 S * 2/1969 Davis D6/453
- D397,000 S * 8/1998 Goodman et al. D7/637
- D402,161 S * 12/1998 Fischer, Jr. D7/620
- D444,005 S * 6/2001 Walters-Dowding et al. . D6/462
- D445,356 S * 7/2001 Glaubitz D11/128
- D445,720 S * 7/2001 Glaubitz D11/128

FIG. 8 is a front elevation view thereof of the design with an unclaimed jersey; and,

FIG. 9 is a top, right side perspective view thereof.

The broken lines in the drawings showing a jersey illustrates environmental structure and forms no part of the claimed design.

1 Claim, 8 Drawing Sheets



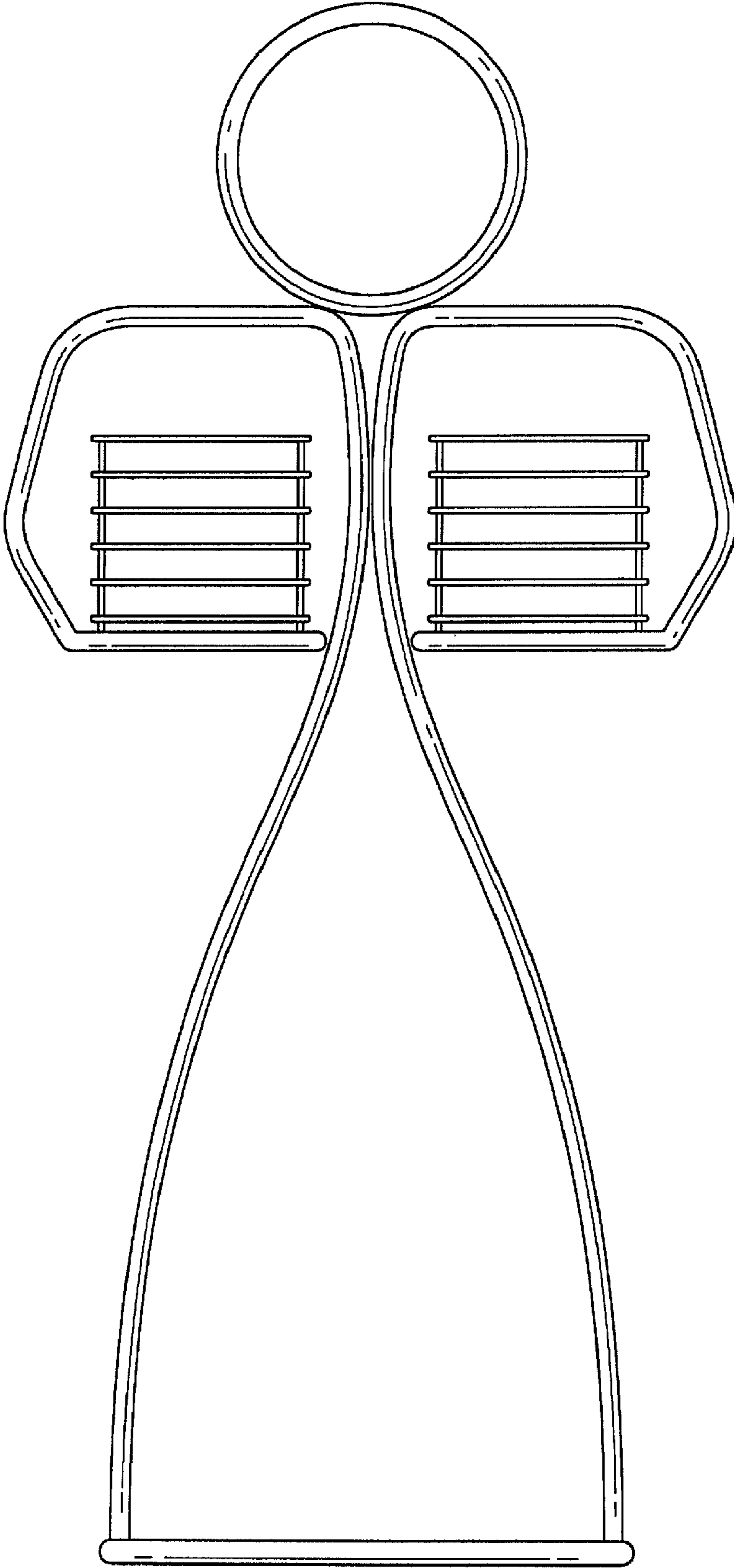


FIG. 1

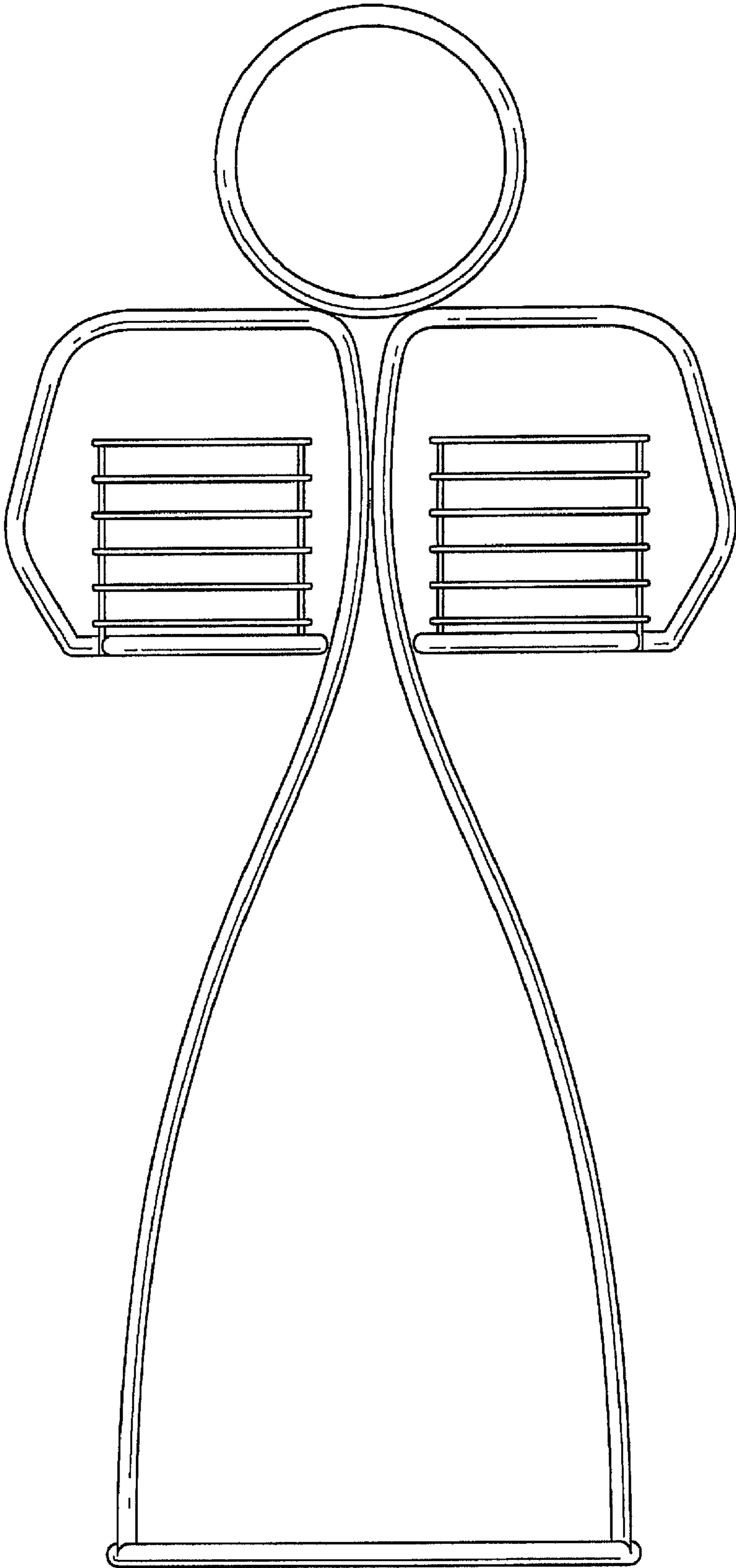


FIG. 2

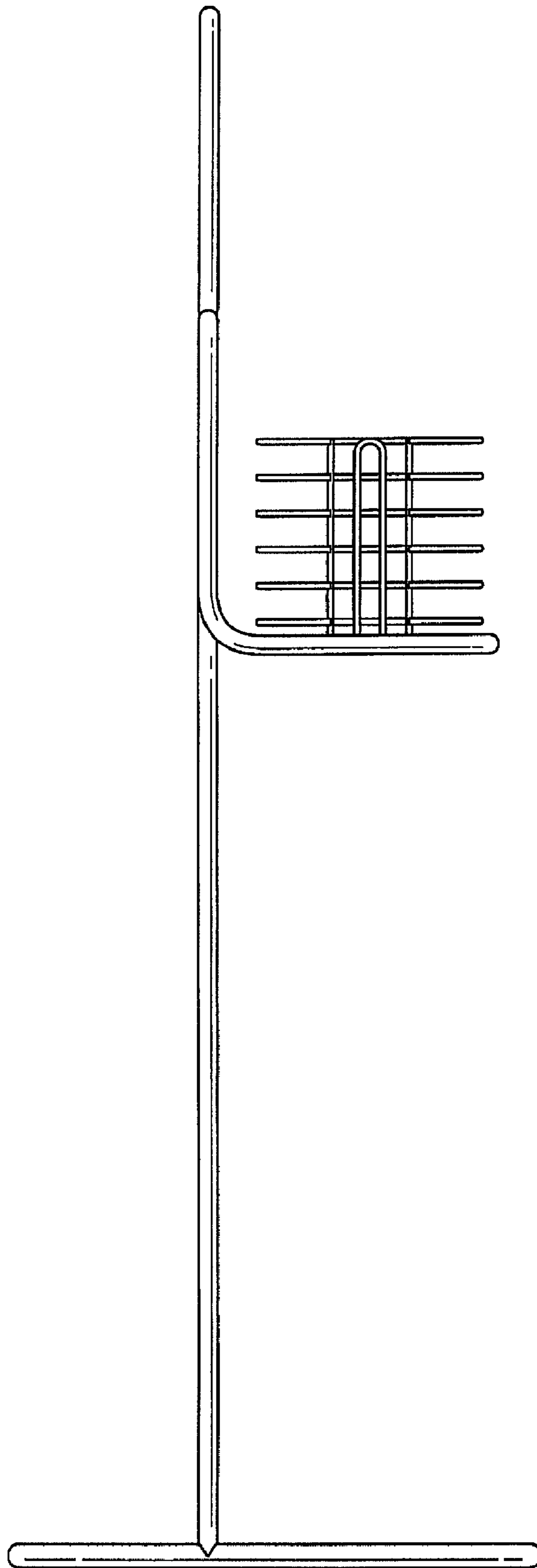


FIG. 3

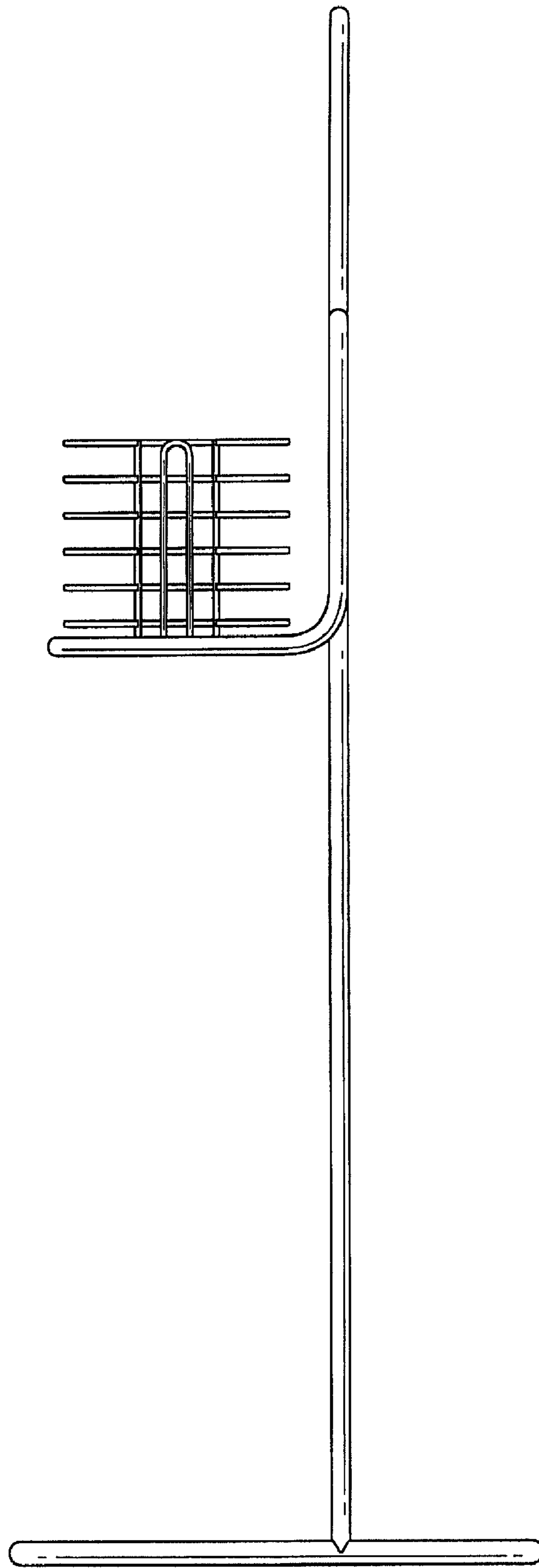


FIG. 4

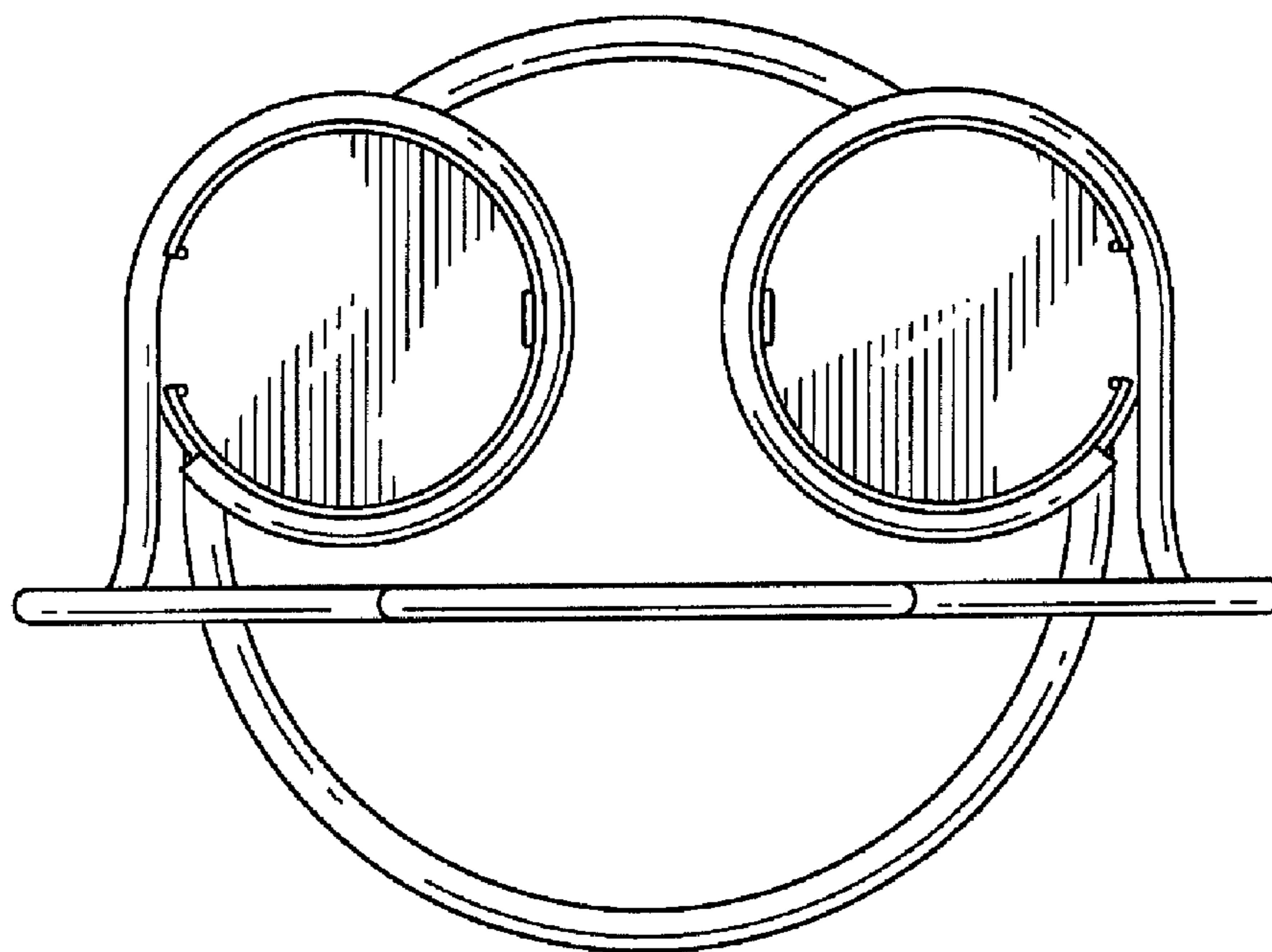


FIG. 5

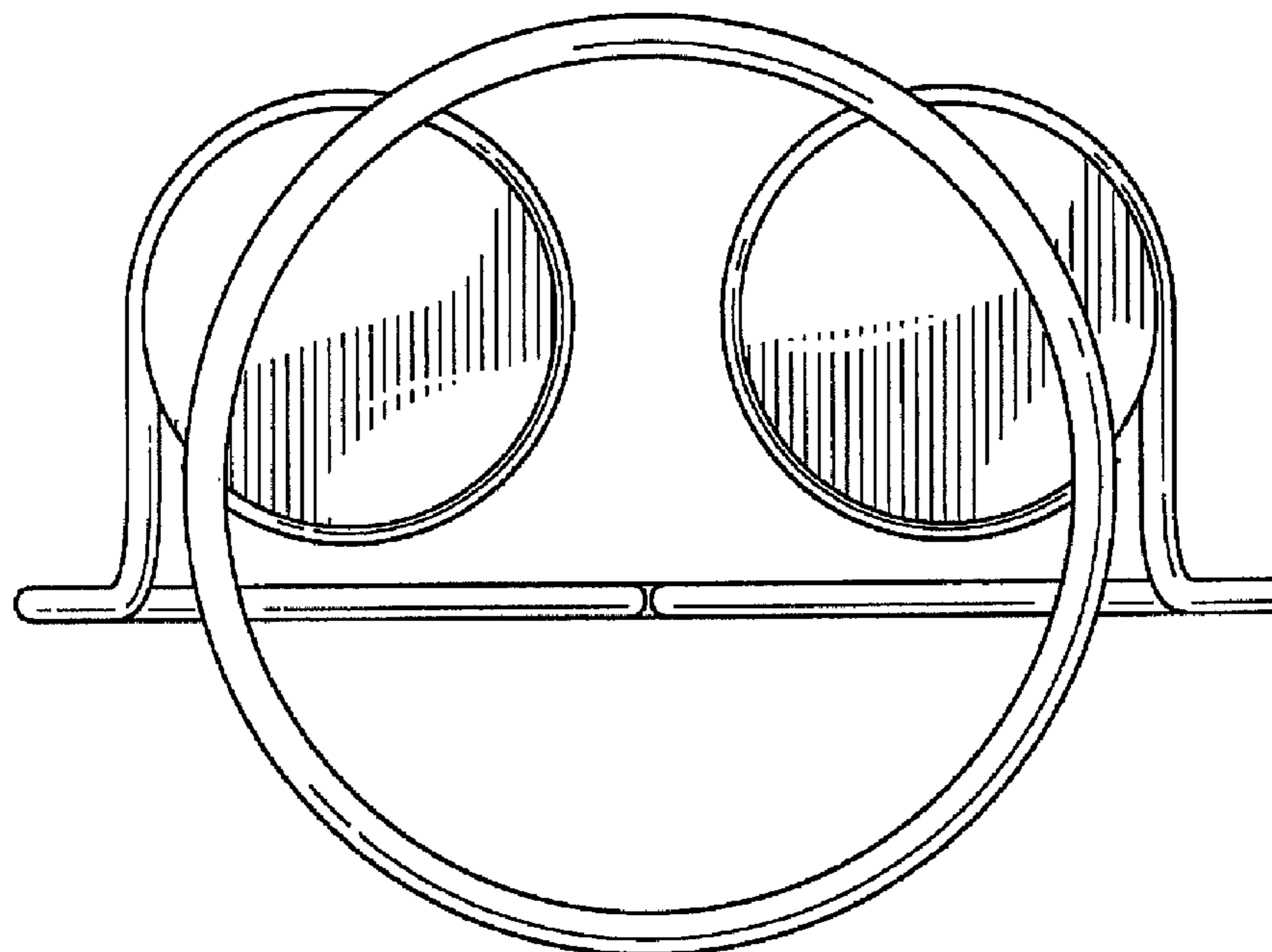


FIG. 6

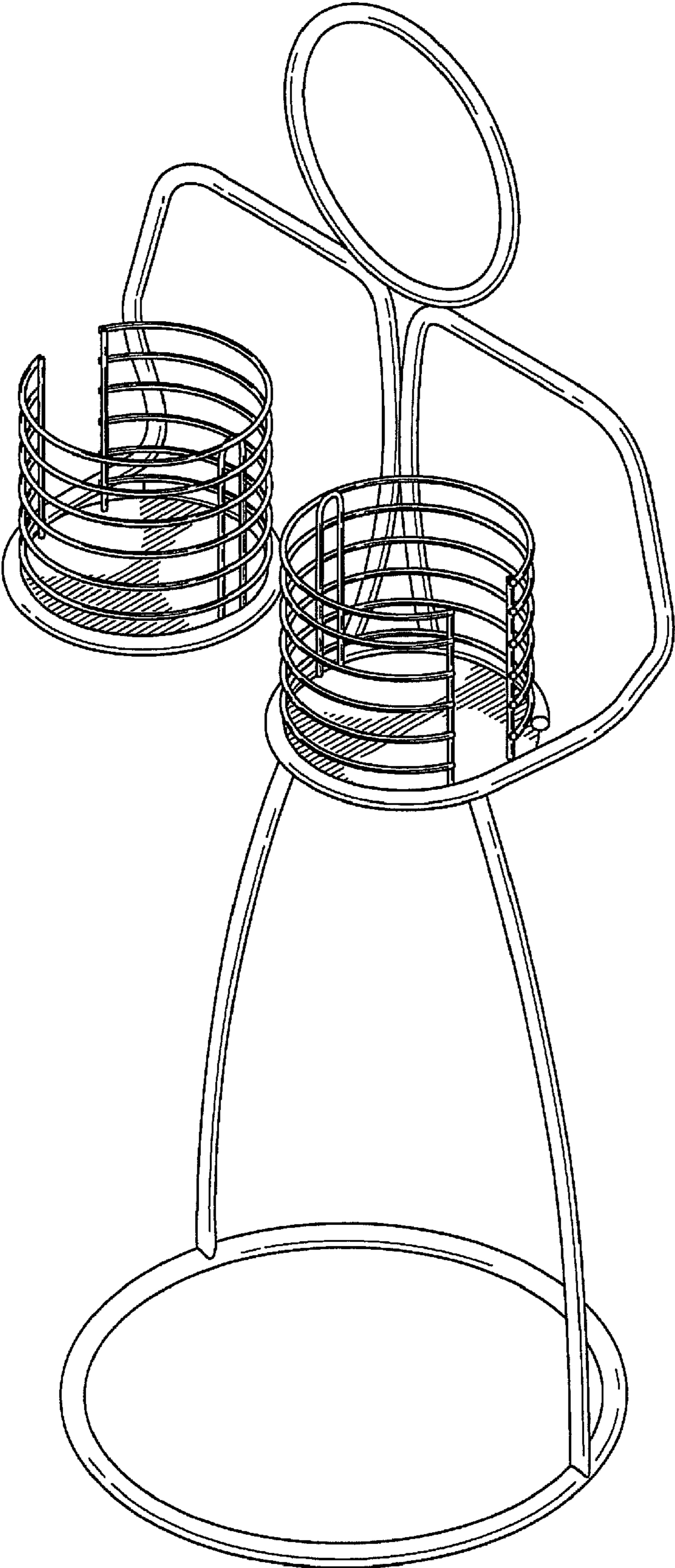


FIG. 7

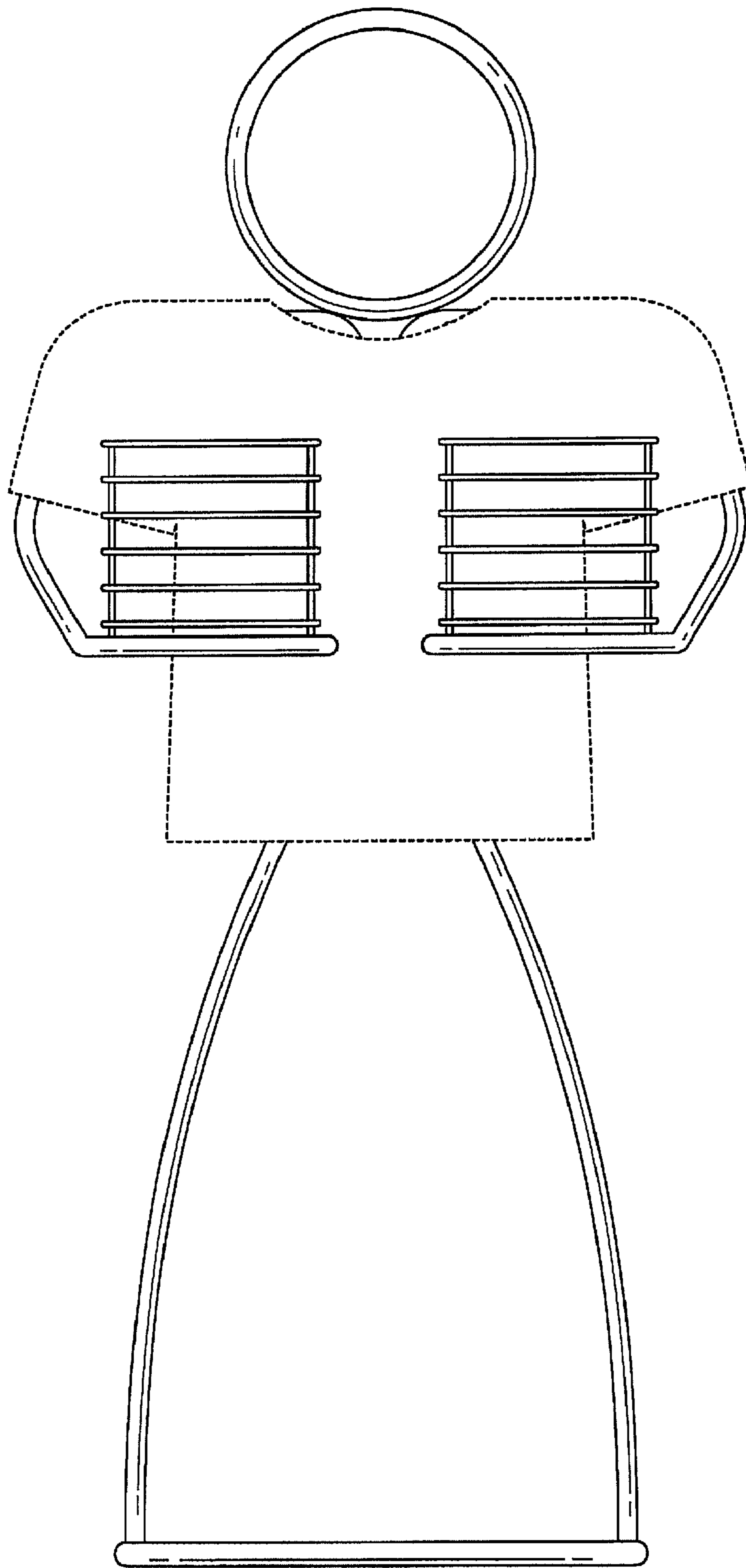


FIG. 8

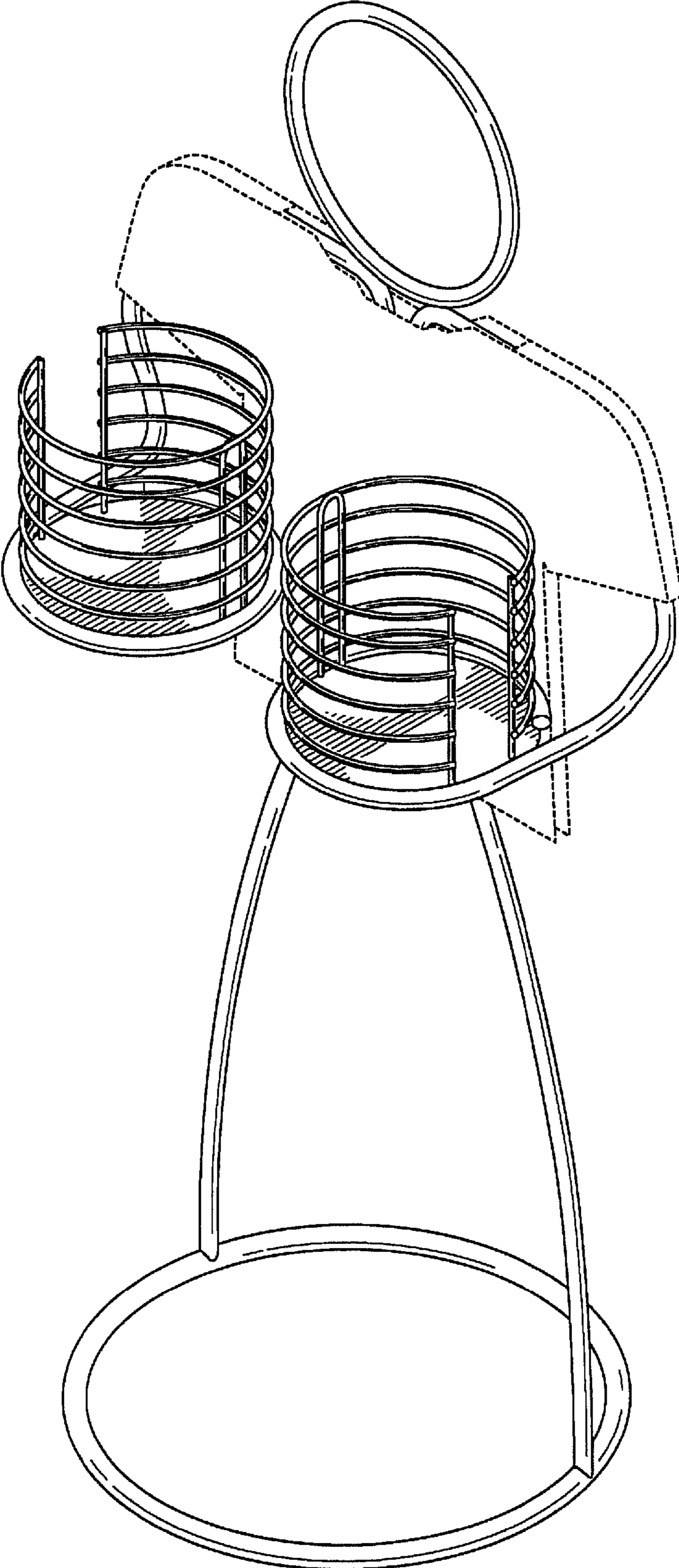


FIG. 9