

US00D620308S

(12) **United States Design Patent**
De Pra'

(10) **Patent No.:** **US D620,308 S**

(45) **Date of Patent:** **** *Jul. 27, 2010**

(54) **GRINDER**

(75) Inventor: **Dario De Pra'**, Mirano (IT)

(73) Assignee: **De'Longhi S.p.A.**, Treviso (IT)

(*) Notice: This patent is subject to a terminal disclaimer.

(**) Term: **14 Years**

(21) Appl. No.: **29/313,298**

(22) Filed: **Dec. 23, 2008**

(30) **Foreign Application Priority Data**

Jun. 30, 2008 (EM) 000959960

(51) **LOC (9) Cl.** **31-00**

(52) **U.S. Cl.** **D7/372; D7/679**

(58) **Field of Classification Search** D7/679,
D7/372-375, 590-597; 241/92, 37.5, 101.78,
241/277, 279, 280, 168, 169, 169.1, 273.1-273.4;
D9/549, 559, 574, 575; 222/142.1-142.9,
222/480

See application file for complete search history.

(56) **References Cited**

U.S. PATENT DOCUMENTS

D212,589 S * 11/1968 Roberts D9/503

D448,248 S * 9/2001 Nichols D7/596

D455,324 S * 4/2002 Wright D7/679

2006/0278746 A1 * 12/2006 Delbridge et al. 241/169.1

* cited by examiner

Primary Examiner—Terry A Wallace

(74) *Attorney, Agent, or Firm*—Flaster/Greenberg P.C.

(57) **CLAIM**

The ornamental design for a grinder, as shown and described.

DESCRIPTION

FIG. 1 is a perspective view of the grinder;

FIG. 2 is a front view of the grinder;

FIG. 3 is a rear view of the grinder;

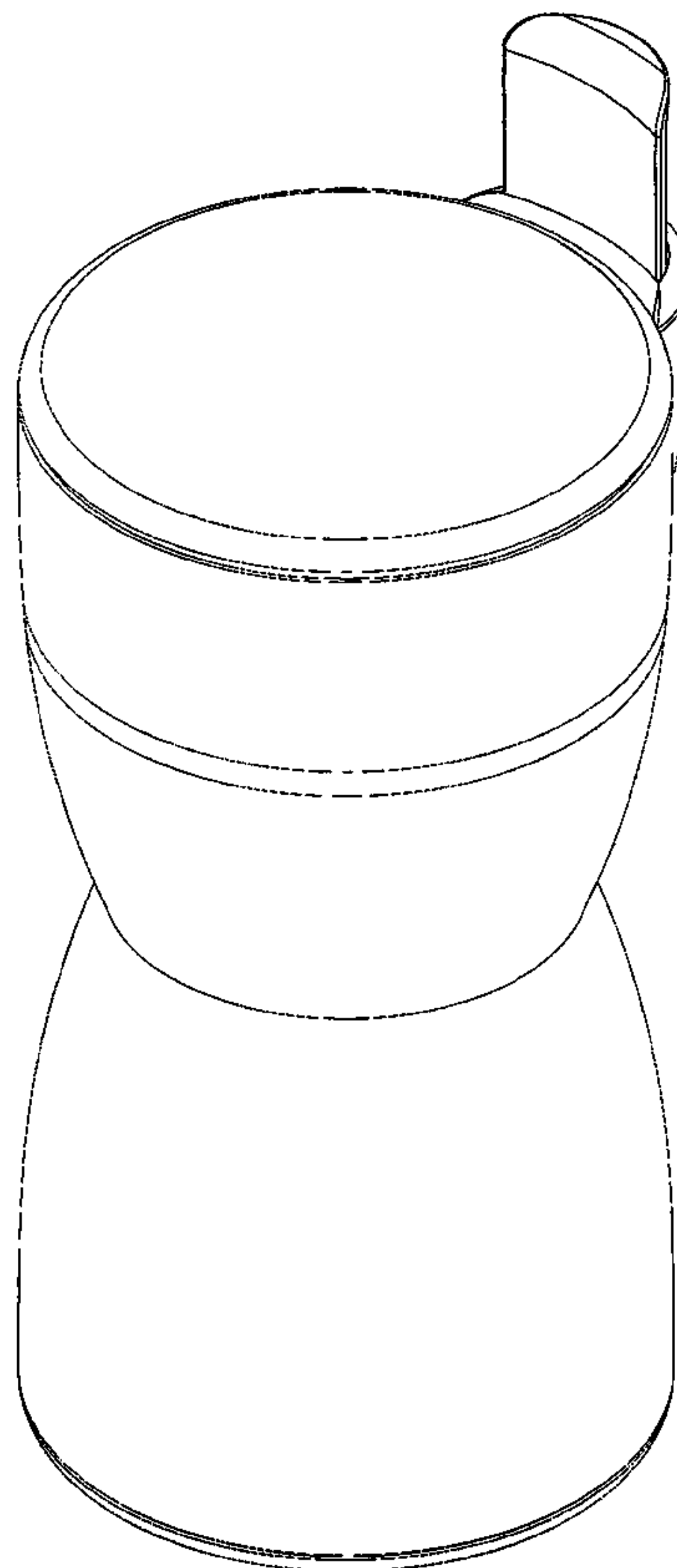
FIG. 4 is a right side view of the grinder;

FIG. 5 is a left side view of the grinder;

FIG. 6 is bottom view of the grinder; and,

FIG. 7 is a top view of the grinder.

1 Claim, 7 Drawing Sheets



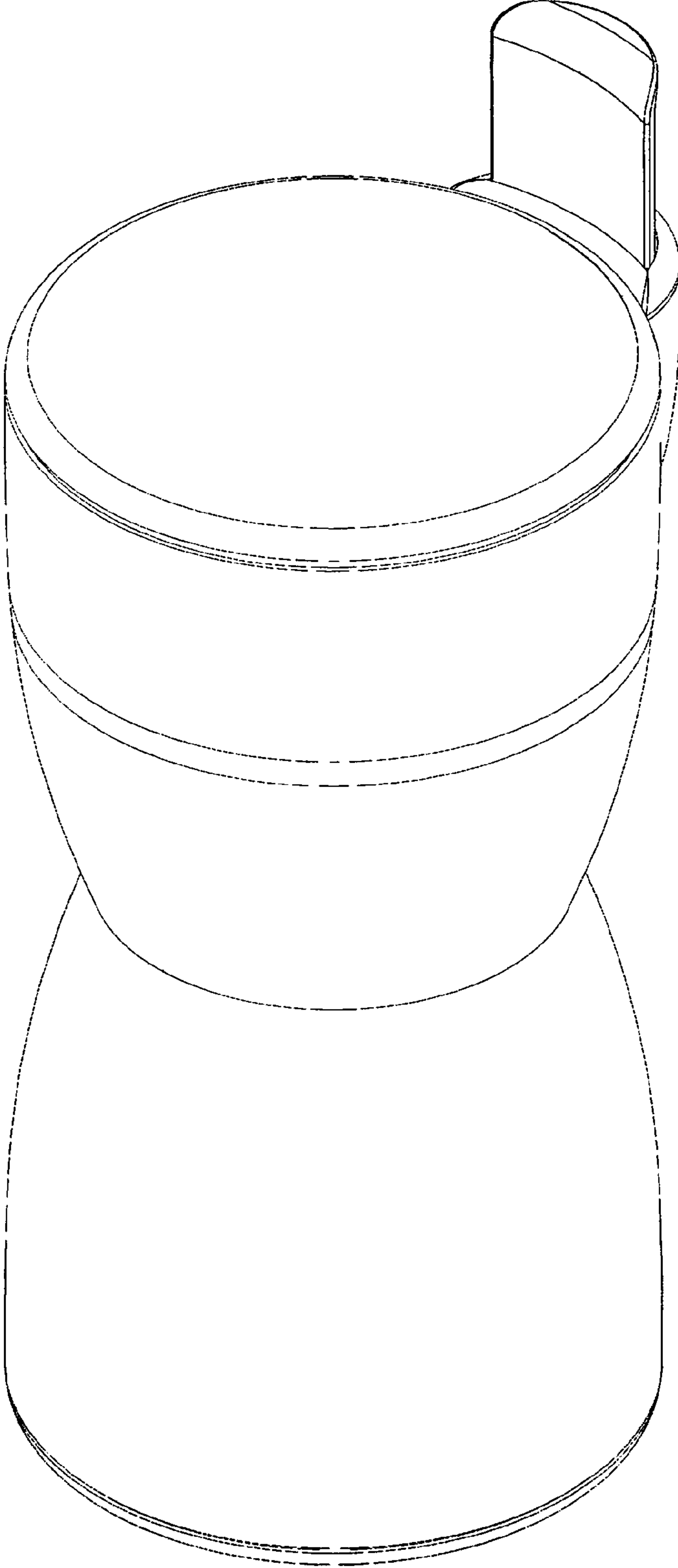


FIG. 1

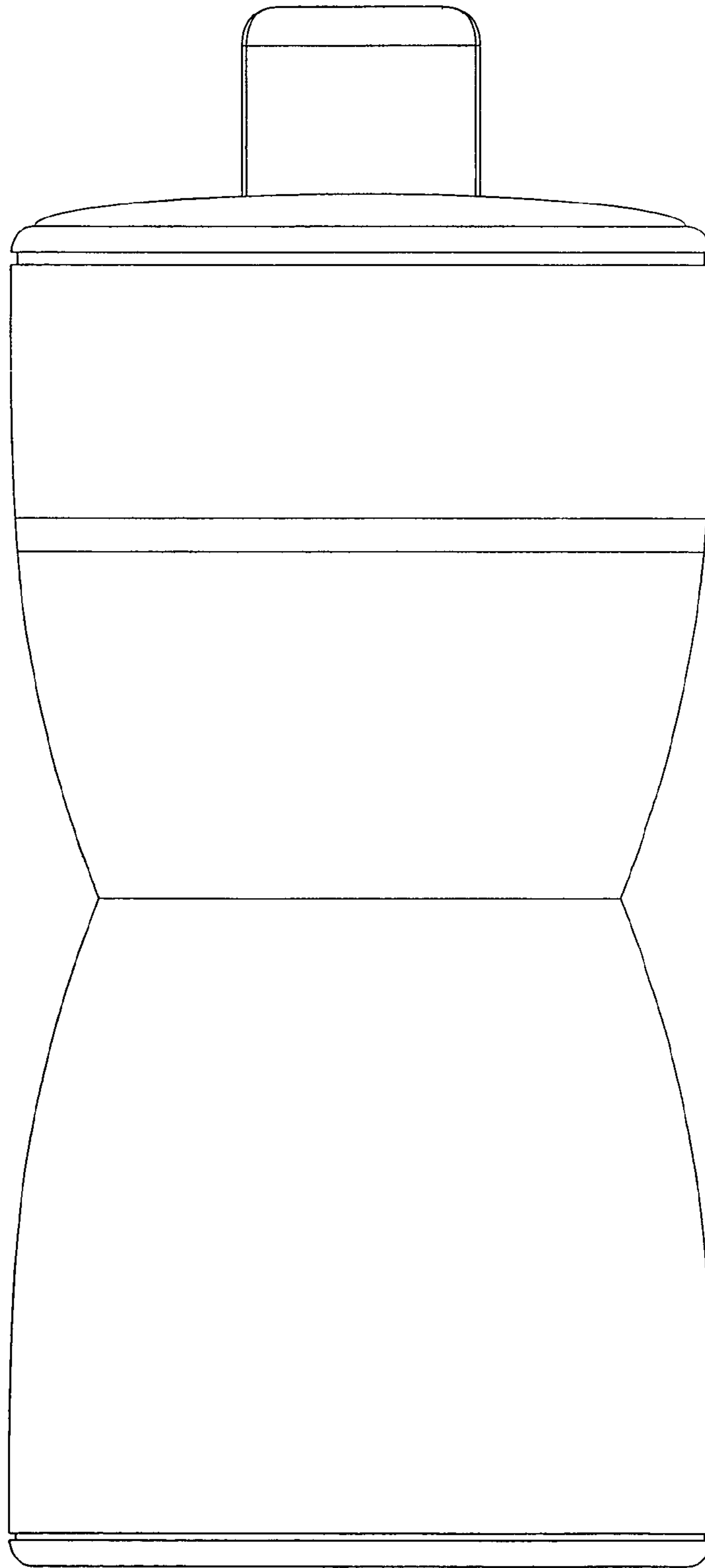


FIG. 2

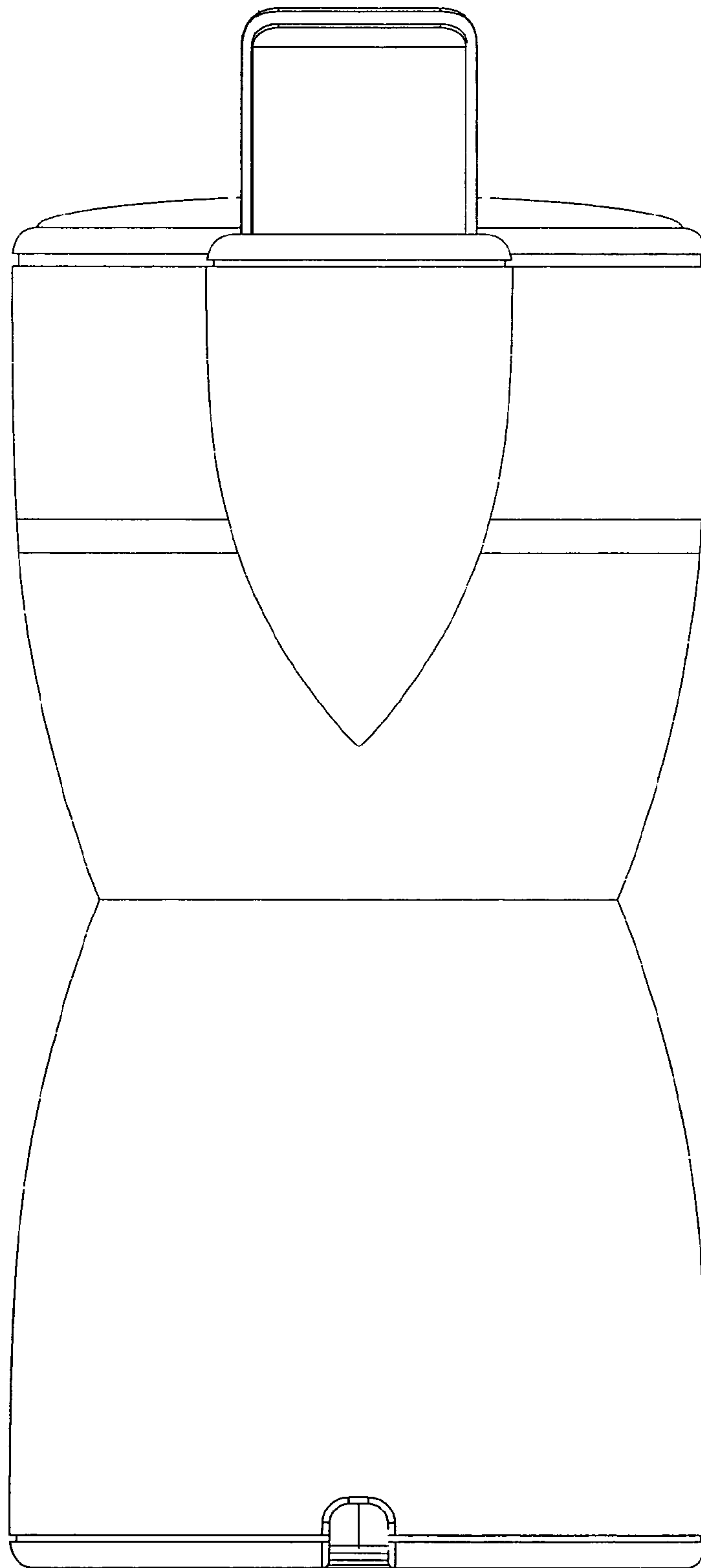


FIG. 3

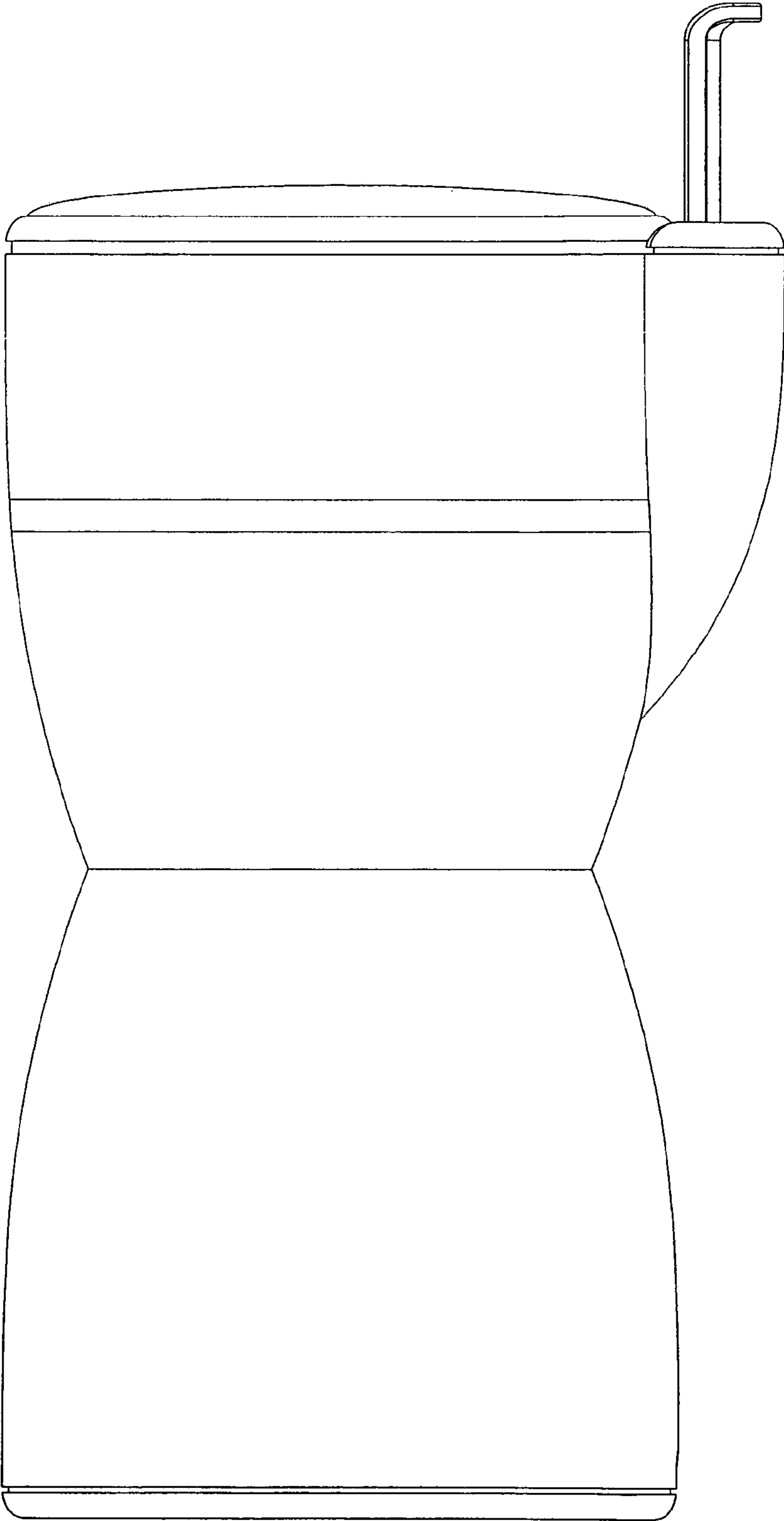


FIG. 4

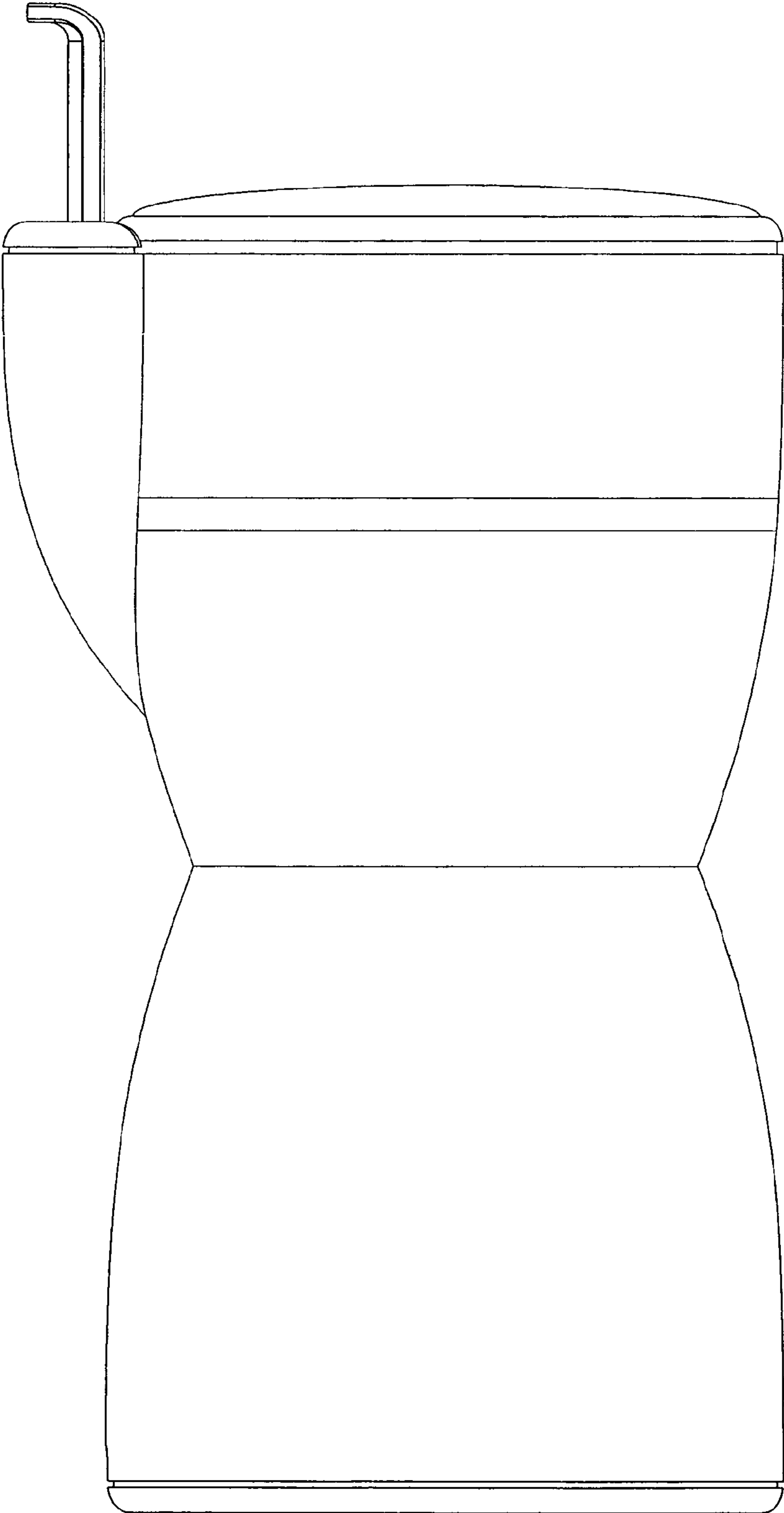


FIG. 5

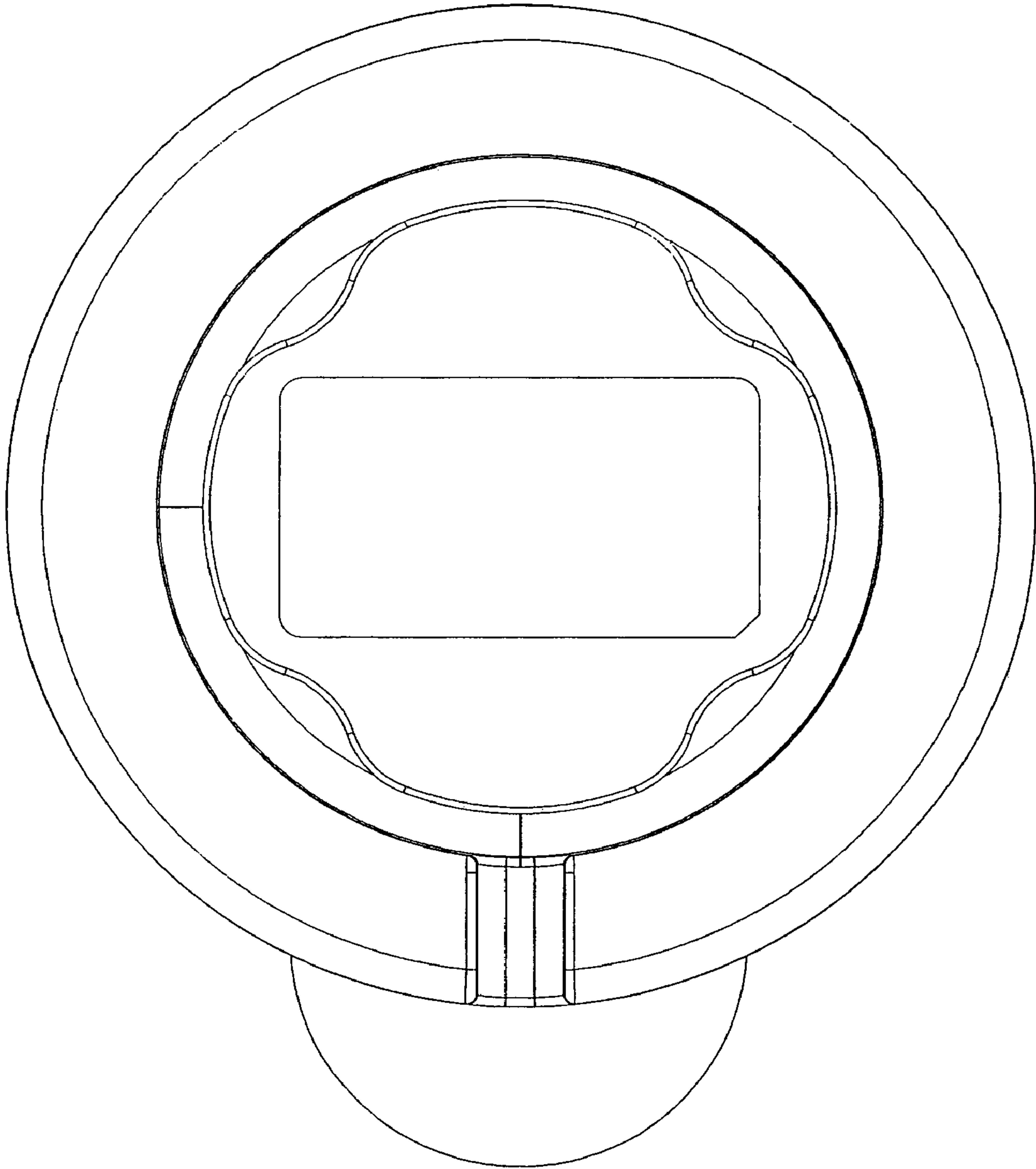


FIG. 6

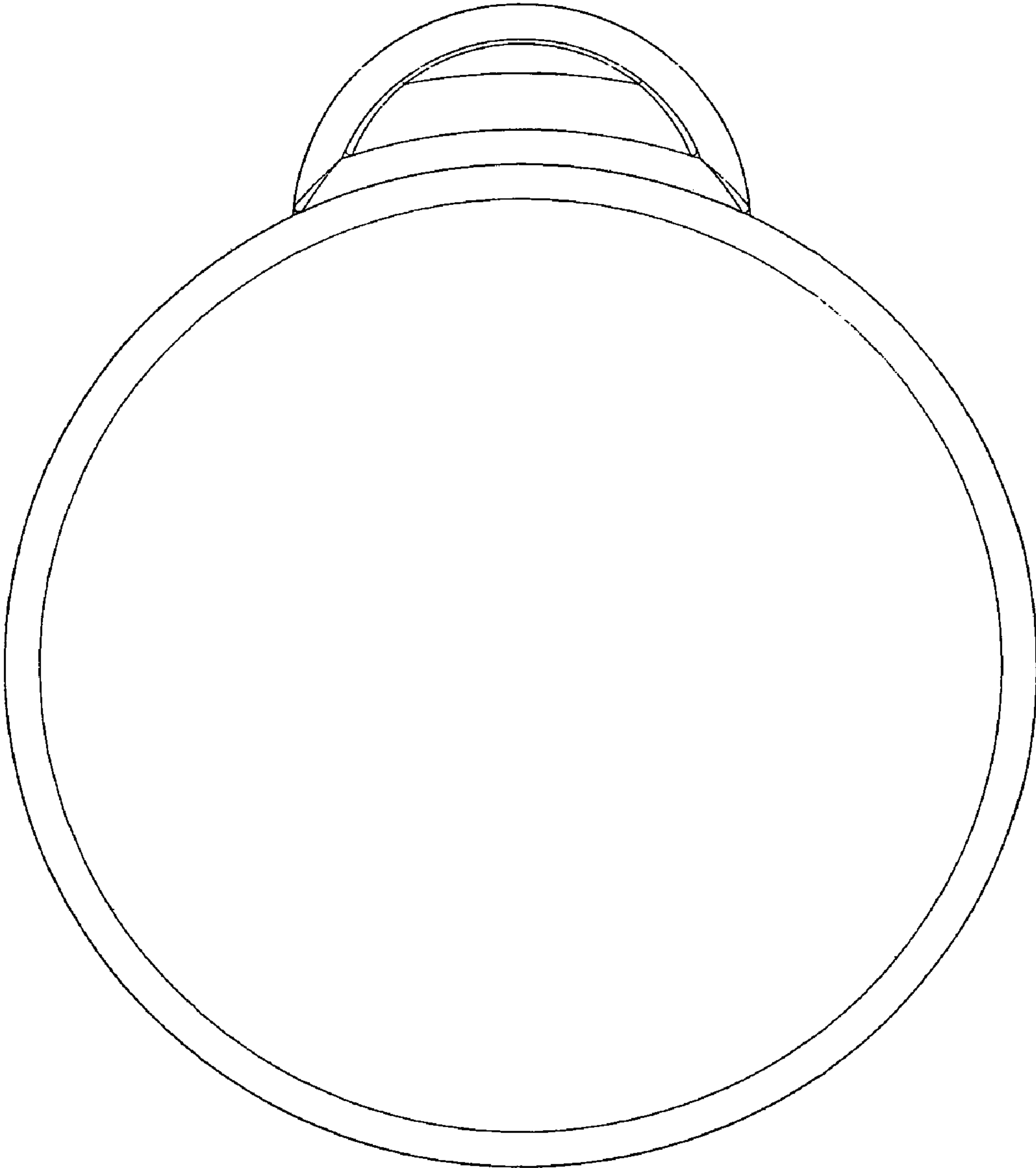


FIG. 7