



US00D620304S

(12) **United States Design Patent**
Rajan et al.

(10) **Patent No.:** **US D620,304 S**

(45) **Date of Patent:** **** *Jul. 27, 2010**

(54) **WATER FILTERING AND DISPENSING SYSTEM**

(75) Inventors: **Rajan G. Rajan**, Bensalem, PA (US);
Mathu Rajan, Bensalem, PA (US); **Raja Rajan**, Delanco, NJ (US); **Ken Williams**, Middle Island, NY (US)

(73) Assignee: **Zero Technologies, LLC**, Bensalem, PA (US)

(*) Notice: This patent is subject to a terminal disclaimer.

(**) Term: **14 Years**

(21) Appl. No.: **29/323,023**

(22) Filed: **Aug. 15, 2008**

(51) **LOC (9) Cl.** **07-01**

(52) **U.S. Cl.** **D7/319; D7/317**

(58) **Field of Classification Search** D7/300,
D7/316-319, 312, 691; D23/207, 209; 73/304 R;
210/482, 266, 85, 232; 222/131, 105.18;
229/123.2; 220/270; 99/307
See application file for complete search history.

(56) **References Cited**

U.S. PATENT DOCUMENTS

D335,238 S * 5/1993 Correa et al. D7/317
D335,239 S * 5/1993 Crunden et al. D7/317
5,635,063 A 6/1997 Rajan et al.

D418,714 S * 1/2000 Fox et al. D7/319
D421,361 S * 3/2000 Coulson et al. D7/319
D440,110 S * 4/2001 Tanner et al. D7/319
D444,662 S * 7/2001 McGrath et al. D7/319
D444,987 S * 7/2001 McGrath et al. D7/319
6,572,769 B2 6/2003 Rajan et al.
6,953,523 B2 * 10/2005 Vandenbelt et al. 210/85
D520,597 S * 5/2006 Witte D23/209
7,107,838 B2 * 9/2006 Chai et al. 73/304 R
D546,113 S * 7/2007 Ruoff D7/319
7,276,161 B2 10/2007 Rajan et al.
7,413,663 B2 8/2008 Rajan et al.
D583,612 S * 12/2008 Wu et al. D7/317
D584,912 S * 1/2009 Green et al. D7/318
D594,690 S * 6/2009 Bursztein D7/319
2004/0168957 A1 * 9/2004 Tsataros et al. 210/85

* cited by examiner

Primary Examiner—Marianne Pandozzi

(74) *Attorney, Agent, or Firm*—J. A. Lindeman & Co., PLLC

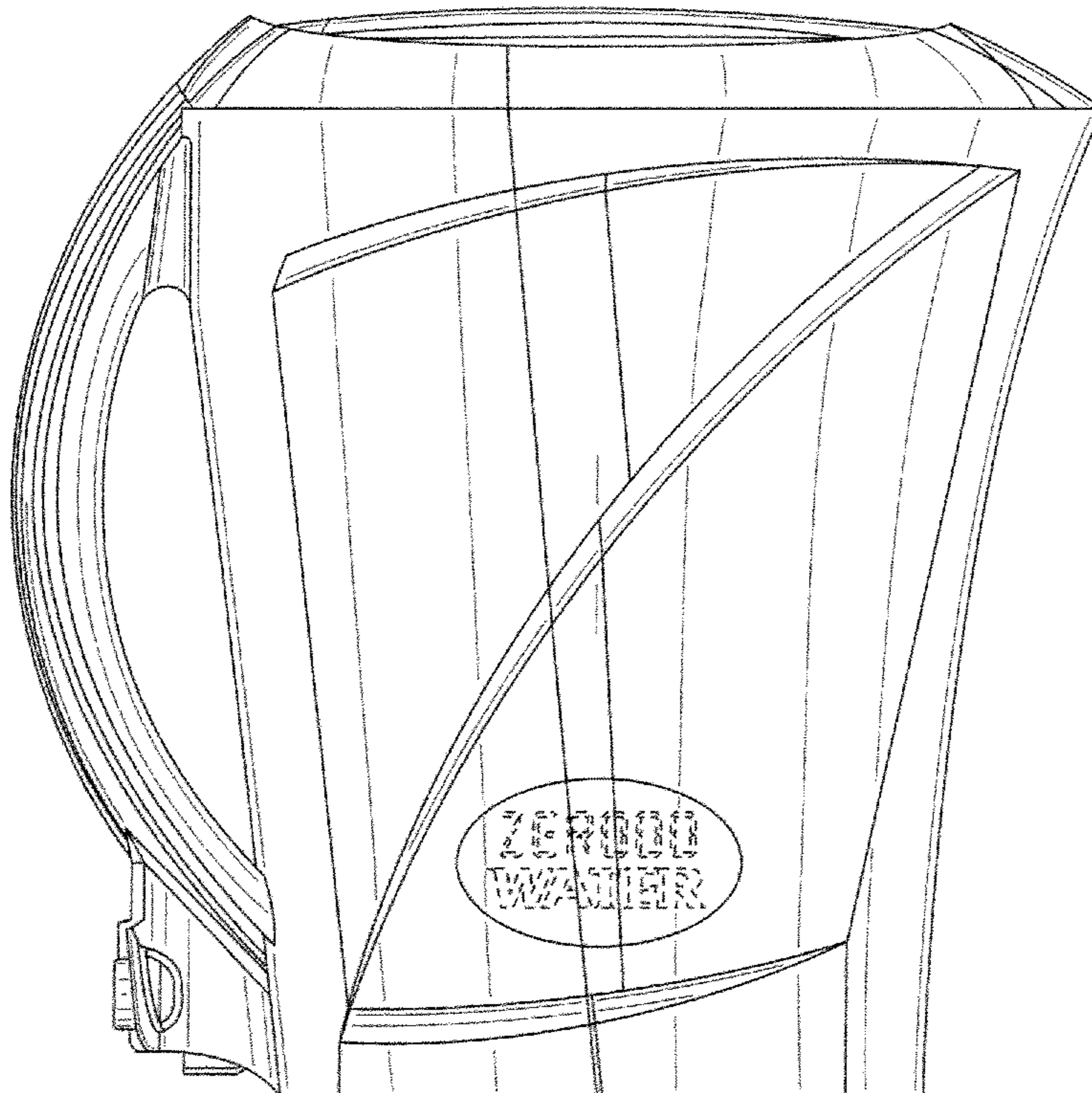
(57) **CLAIM**

The ornamental design for a water filtering and dispensing system, as shown and described.

DESCRIPTION

FIG. 1 is a side elevational view;
FIG. 2 is a handle valve side elevational view;
FIG. 3 is a container spout side elevational view;
FIG. 4 is a top plan view; and,
FIG. 5 is a bottom plan view.

1 Claim, 4 Drawing Sheets



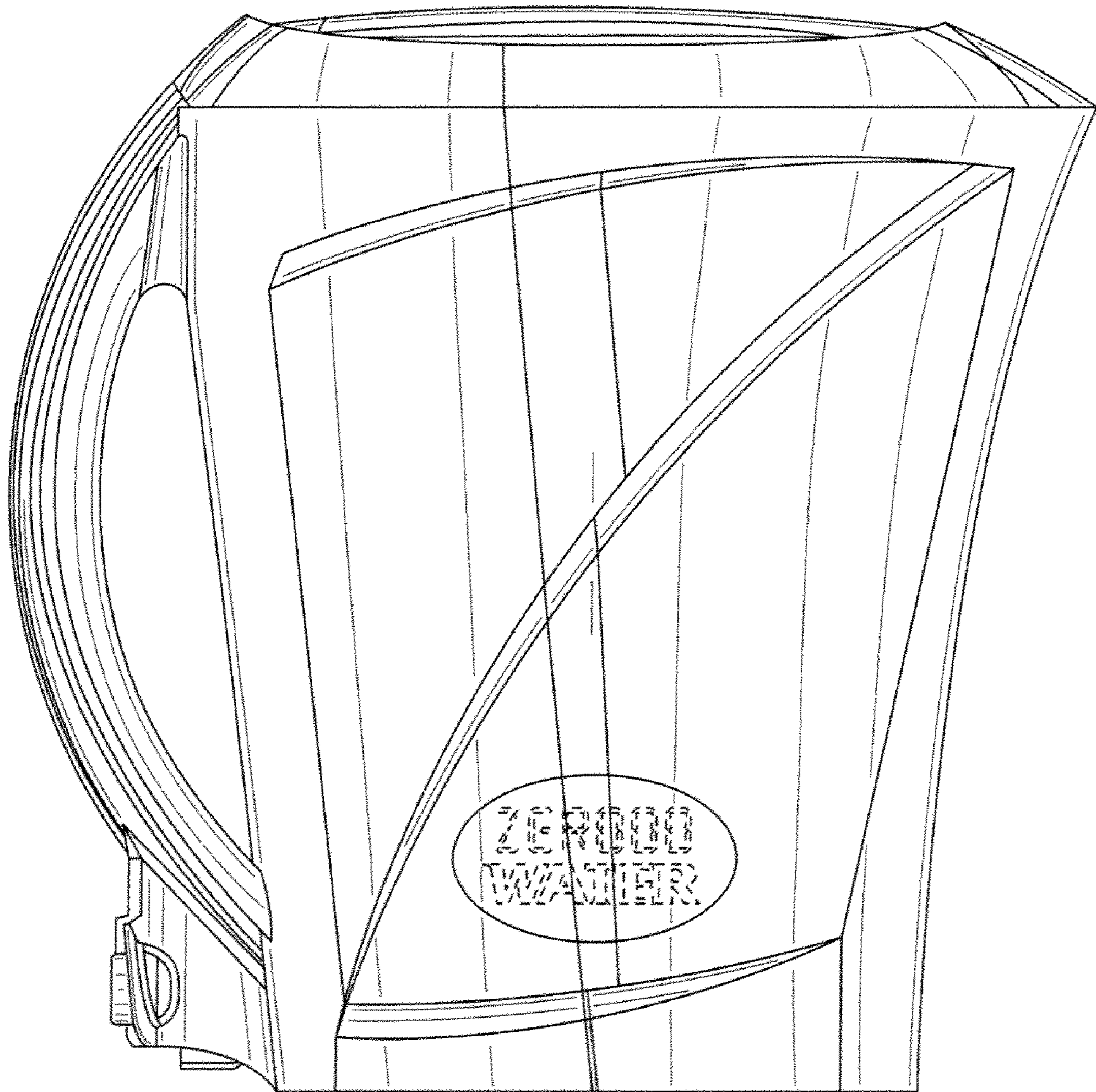


FIG. 1

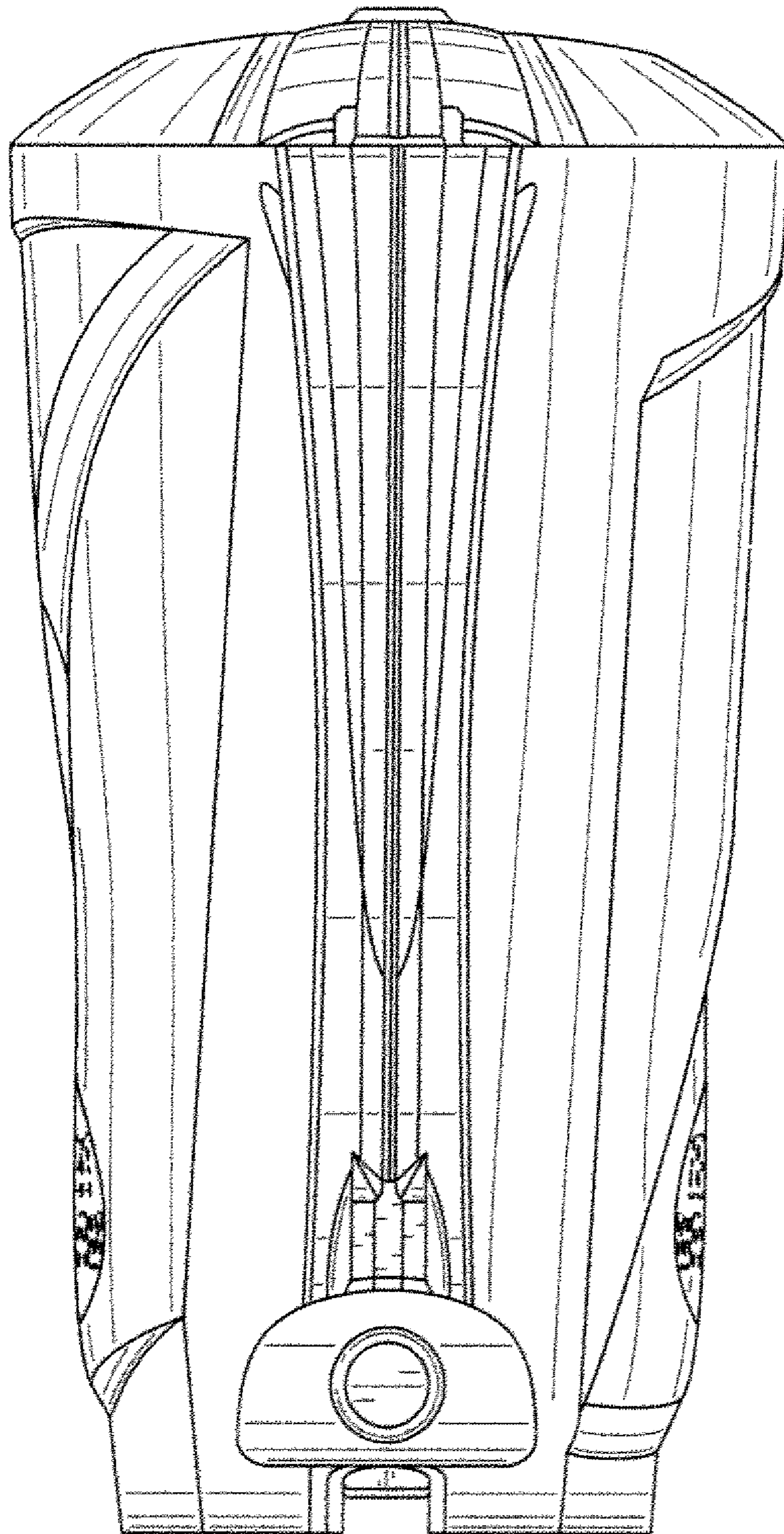


FIG. 2

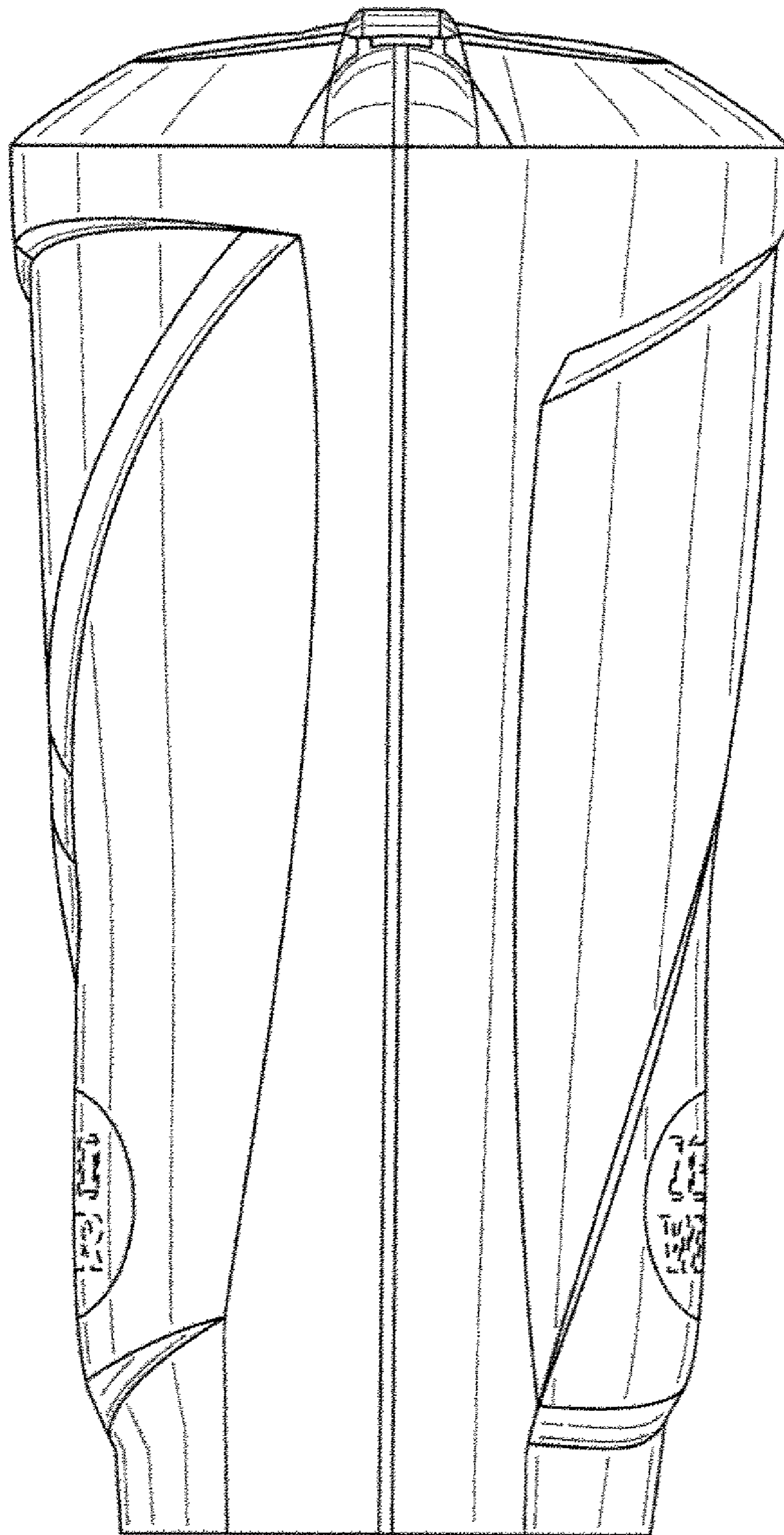


FIG. 3

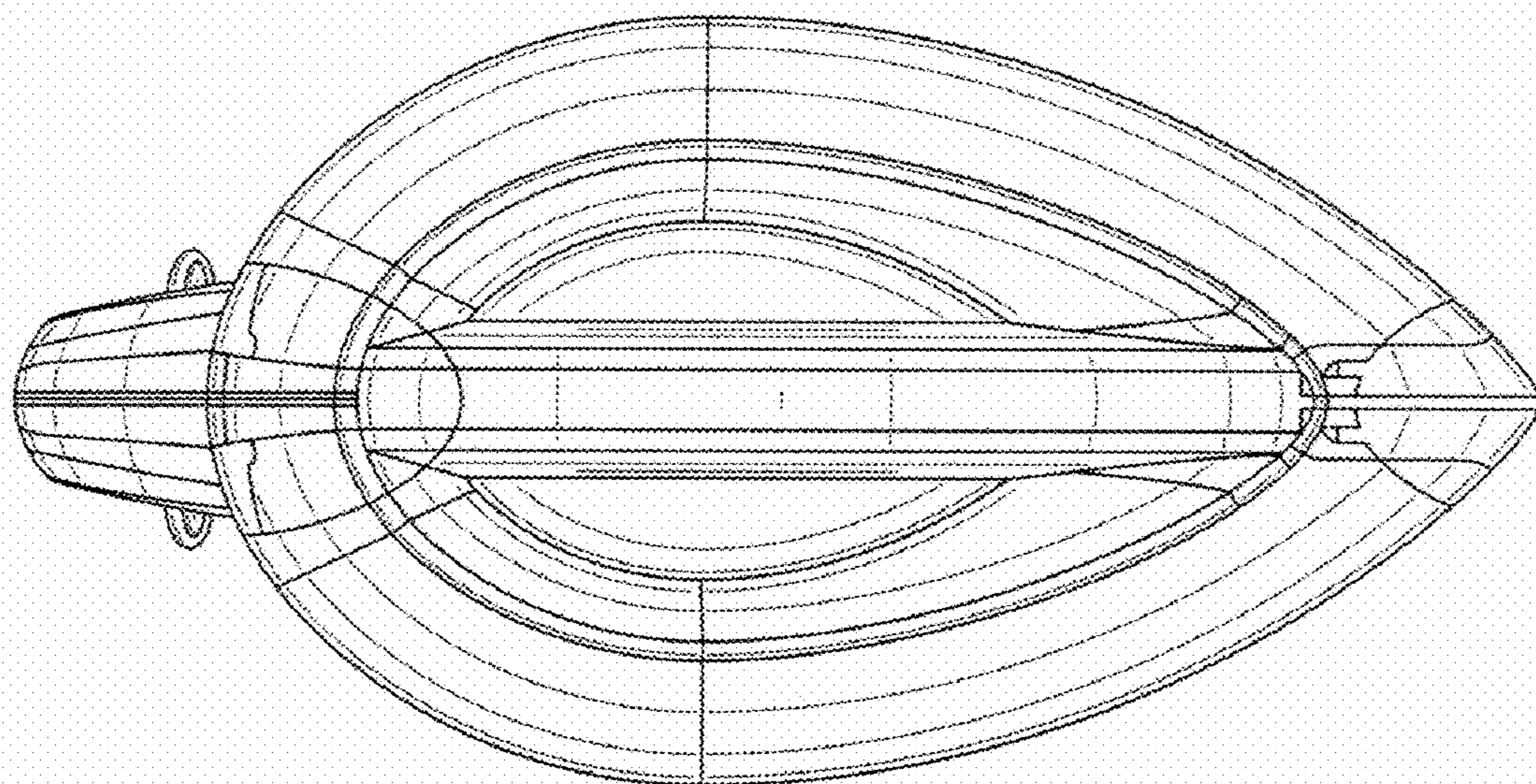


FIG. 4

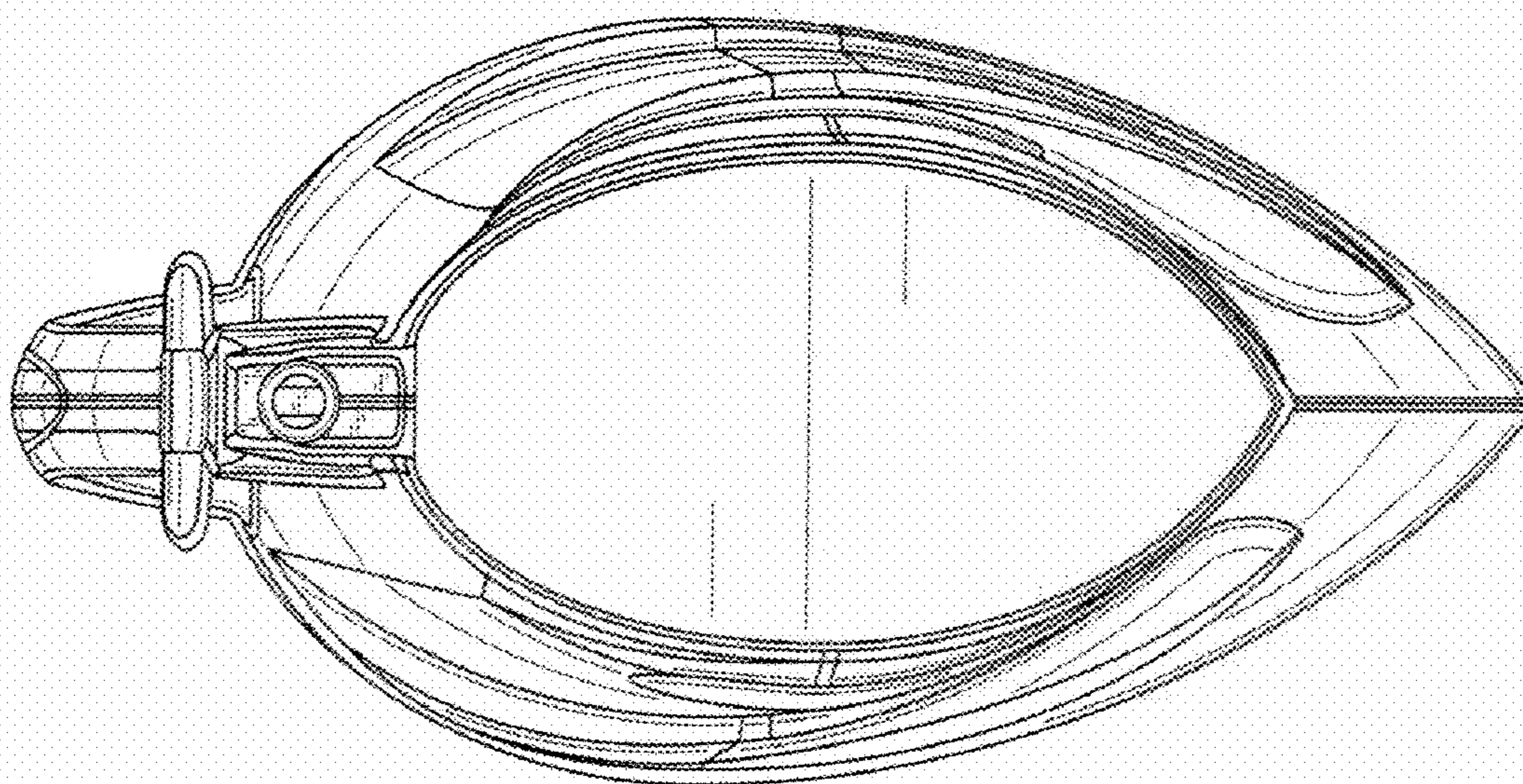


FIG. 5