



US00D620303S

(12) **United States Design Patent**  
**Mondragon et al.**

(10) **Patent No.:** **US D620,303 S**  
(45) **Date of Patent:** **\*\* Jul. 27, 2010**

(54) **PERCOLATOR**

(75) Inventors: **Dean Mondragon**, Rocky Face, GA (US); **Cyan Godfrey**, Chapel Hill, NC (US); **Mike Page**, Cary, NC (US); **Margaret Butler**, Raleigh, NC (US); **Mark K. Romandy**, Midlothian, VA (US)

3,939,760 A 2/1976 Eaton, Jr. et al.  
D239,687 S 4/1976 Breger  
3,969,610 A 7/1976 Ratti et al.  
4,029,940 A 6/1977 Eaton, Jr. et al.  
4,376,925 A 3/1983 Taylor

(Continued)

(73) Assignee: **Hamilton Beach Brands, Inc.**, Glen Allen, VA (US)

*Primary Examiner*—Marianne Pandozzi  
(74) *Attorney, Agent, or Firm*—Panitch Schwarze Belisario & Nadel LLP

(\*\*) Term: **14 Years**

(57) **CLAIM**

(21) Appl. No.: **29/354,761**

The ornamental design for a percolator, as shown and described.

(22) Filed: **Jan. 28, 2010**

(51) **LOC (9) Cl.** ..... **07-01**

**DESCRIPTION**

(52) **U.S. Cl.** ..... **D7/317; D7/318**

(58) **Field of Classification Search** ..... D7/300,  
D7/316–319, 598, 600; 99/299, 307; 222/465.1  
See application file for complete search history.

FIG. 1 is a perspective view of a percolator in accordance with a first preferred embodiment of our new design;

(56) **References Cited**

U.S. PATENT DOCUMENTS

134,586 A	1/1873	Bradley	
D97,978 S	11/1935	Ackerman	
2,166,728 A	7/1939	Page	
D173,521 S	11/1954	Boldt	
D179,261 S	11/1956	Orr	
2,916,599 A	12/1959	Stiles	
D202,283 S	9/1965	Friedman et al.	
3,282,196 A	11/1966	Manship et al.	
3,333,087 A	7/1967	Manship et al.	
D208,568 S	9/1967	DeFano et al.	
D209,692 S	12/1967	Ernest et al.	
3,392,662 A	7/1968	Schwarz, Jr.	
3,488,473 A	1/1970	Sanders	
D218,354 S *	8/1970	Kikuchi	..... D7/317
D219,994 S	2/1971	Ernest	
3,585,921 A	6/1971	Khaja	
D221,980 S	9/1971	Armstrong	
D223,465 S	4/1972	DePuy	
3,848,563 A	11/1974	Brown	

FIG. 2 is a left-side elevation view thereof;

FIG. 3 is a front elevation view thereof;

FIG. 4 is a right-side elevation view thereof;

FIG. 5 is a rear elevation view thereof;

FIG. 6 is a top plan view thereof;

FIG. 7 is a bottom plan view thereof;

FIG. 8 is a perspective view of a percolator in accordance with a second preferred embodiment of our new design;

FIG. 9 is a left-side elevation view thereof;

FIG. 10 is a front elevation view thereof;

FIG. 11 is a right-side elevation view thereof;

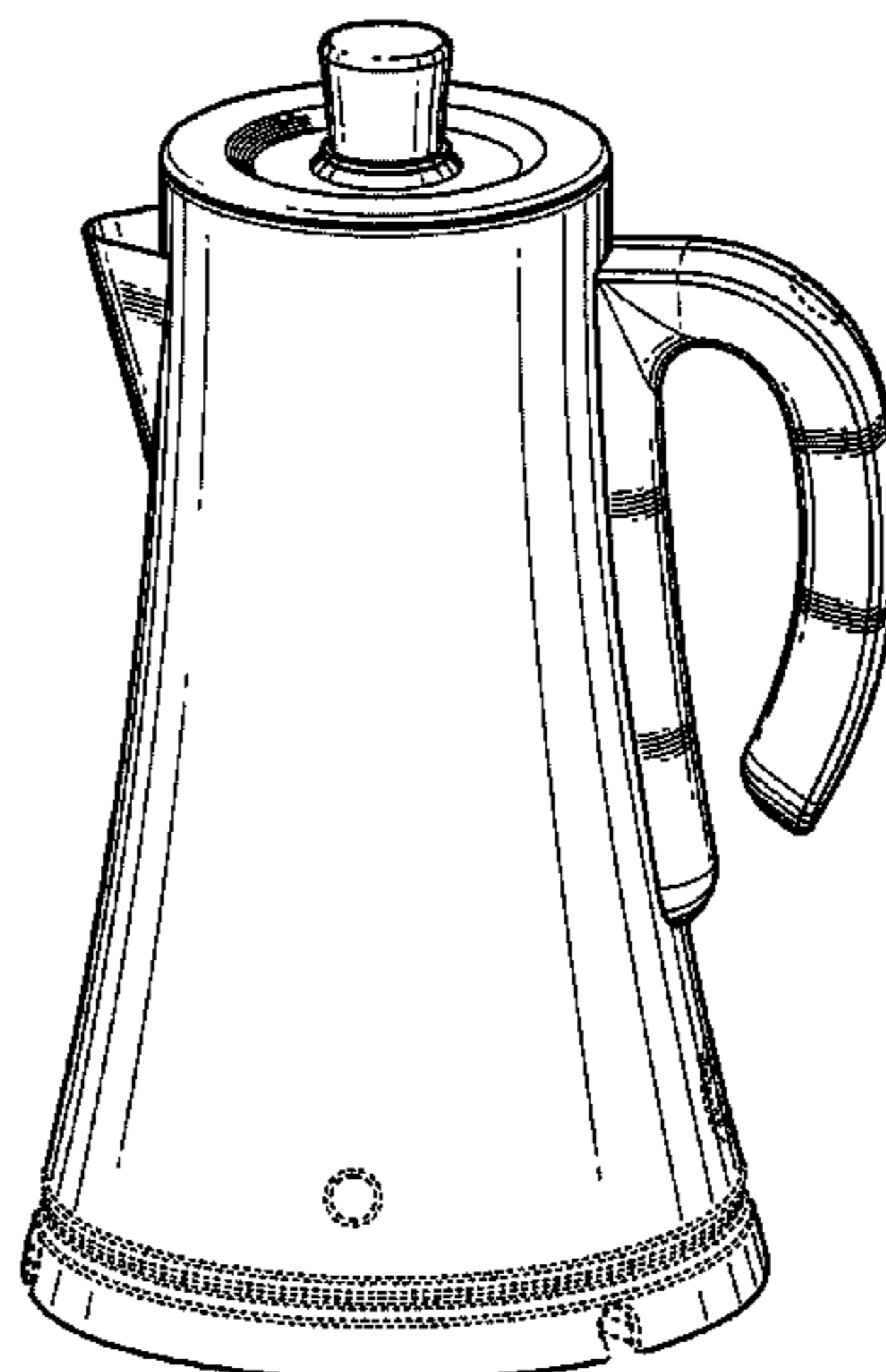
FIG. 12 is a rear elevation view thereof;

FIG. 13 is a top plan view thereof; and,

FIG. 14 is a bottom plan view thereof.

The broken lines in the figures are for illustrative purposes only and form no part of the claimed design.

**1 Claim, 12 Drawing Sheets**



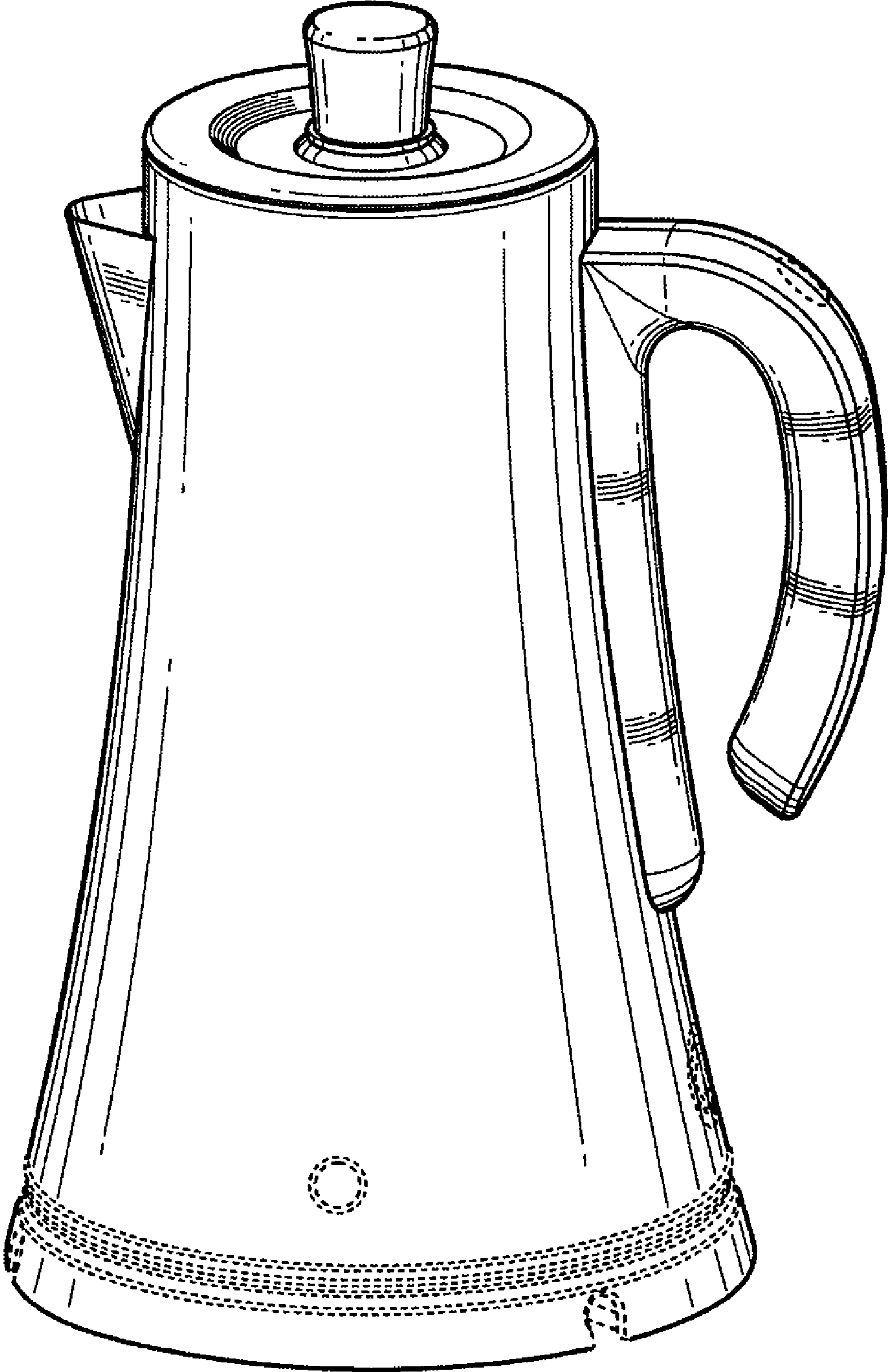
# US D620,303 S

Page 2

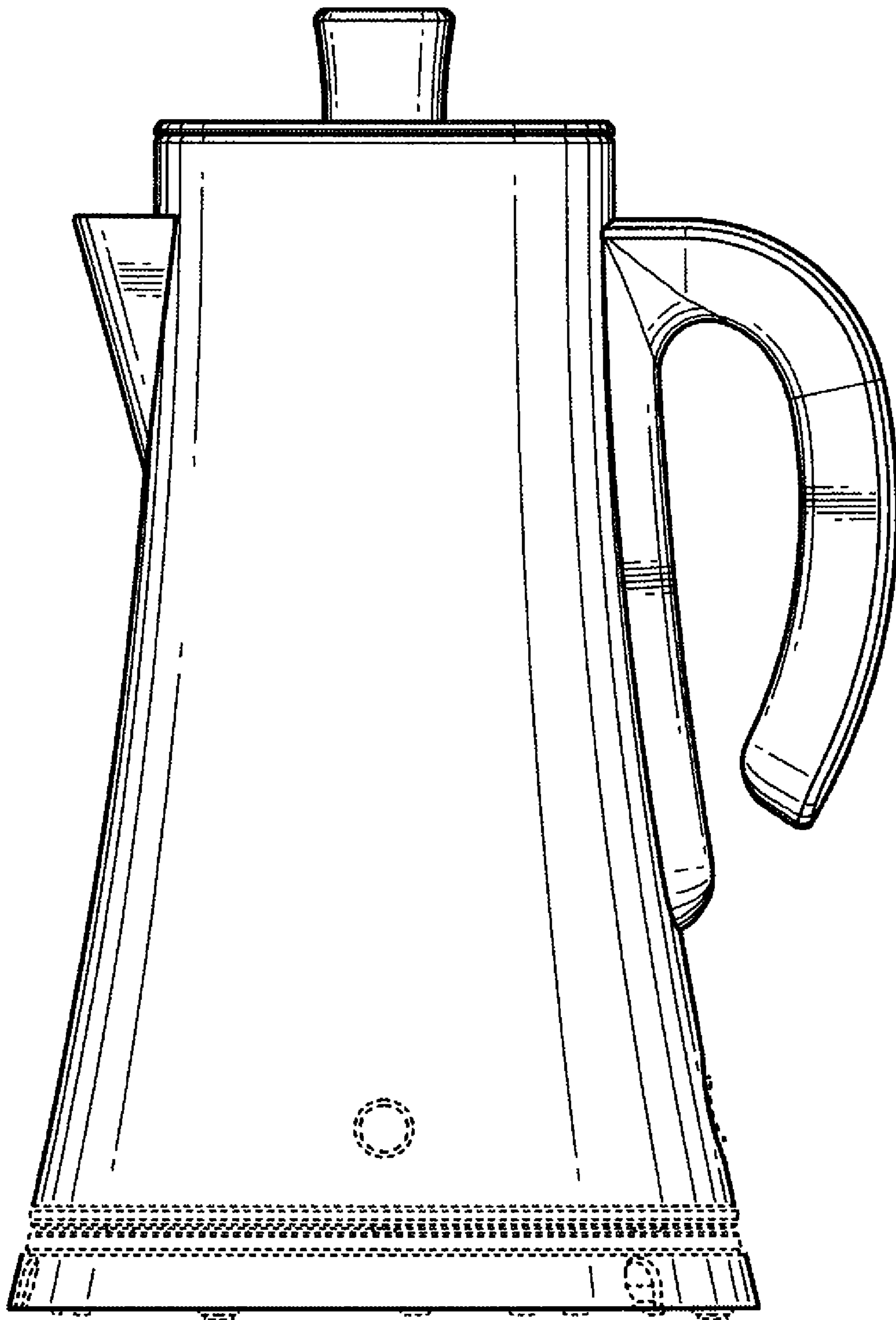
## U.S. PATENT DOCUMENTS

D273,183	S	3/1984	Shane et al.	6,377,750	B1	4/2002	Scott et al.
D285,520	S	9/1986	Ferm et al.	D461,087	S	8/2002	Hatsumoto
D286,366	S	10/1986	Gremontprez et al.	6,431,054	B1	8/2002	Reid
D292,162	S *	10/1987	Zimmermann ..... D7/317	D463,706	S	10/2002	Lecerf
4,776,478	A	10/1988	Miller et al.	6,472,646	B1	10/2002	Taylor
D307,695	S	5/1990	Cesaroni et al.	D472,766	S	4/2003	Luo
4,951,556	A	8/1990	Ng	D475,233	S	6/2003	De Visser
5,013,893	A	5/1991	Goessler et al.	D478,766	S	8/2003	Questelles
5,046,409	A	9/1991	Henn	6,627,857	B1	9/2003	Tanner et al.
D326,978	S	6/1992	Zimmermann	D488,340	S	4/2004	Zimmermann
5,137,168	A	8/1992	Mothrath et al.	D493,059	S	7/2004	O'Connor et al.
D343,983	S	2/1994	Tardif	D494,803	S *	8/2004	Bodum ..... D7/319
D346,302	S	4/1994	Morgan	6,818,866	B2	11/2004	Gordon
5,448,036	A	9/1995	Husslein et al.	6,818,867	B2	11/2004	Kressmann
D373,923	S	9/1996	Huang	6,840,802	B2	1/2005	Shepherd
D375,016	S *	10/1996	Ullmann ..... D7/319	D502,355	S	3/2005	Levien
5,643,485	A	7/1997	Potter et al.	6,914,514	B2	7/2005	Shepherd
5,653,362	A	8/1997	Patel	D512,597	S *	12/2005	Bjørn ..... D7/318
5,693,244	A	12/1997	Pragt et al.	7,041,945	B2	5/2006	Aihara et al.
D390,743	S	2/1998	Saltet	D527,940	S	9/2006	Cohen
5,750,959	A	5/1998	Plumptre	D528,846	S	9/2006	Tamura
D395,576	S	6/1998	Huang	D534,027	S	12/2006	Huang
5,773,795	A	6/1998	Messmer	7,163,125	B2	1/2007	Murakami et al.
5,793,020	A	8/1998	O'Neill	D545,111	S	6/2007	Brown
D399,090	S	10/1998	Green	D553,419	S	10/2007	Bodum
D409,040	S	5/1999	Moran, Jr. et al.	D553,898	S	10/2007	De' Longhi
D413,222	S	8/1999	Applegate et al.	D577,944	S	10/2007	Spiegel
6,080,968	A	6/2000	Taylor	D555,416	S	11/2007	Bodum
D427,478	S	7/2000	Littmann et al.	D561,519	S	2/2008	Ranzoni
6,085,946	A	7/2000	Hirsch et al.	D562,053	S	2/2008	Cohen
6,153,859	A	11/2000	Taylor et al.	D603,647	S *	11/2009	Bodum ..... D7/318
D436,790	S	1/2001	Saltet	D605,455	S *	12/2009	Bodum ..... D7/318
D439,791	S	4/2001	Vignao'	D607,686	S *	1/2010	Elissen ..... D7/319
D446,995	S	8/2001	Porsche et al.	2003/0095029	A1	5/2003	Shepherd
6,302,307	B1	10/2001	Hirsch et al.	2007/0181585	A1	8/2007	Lane
D453,279	S	2/2002	Huang				

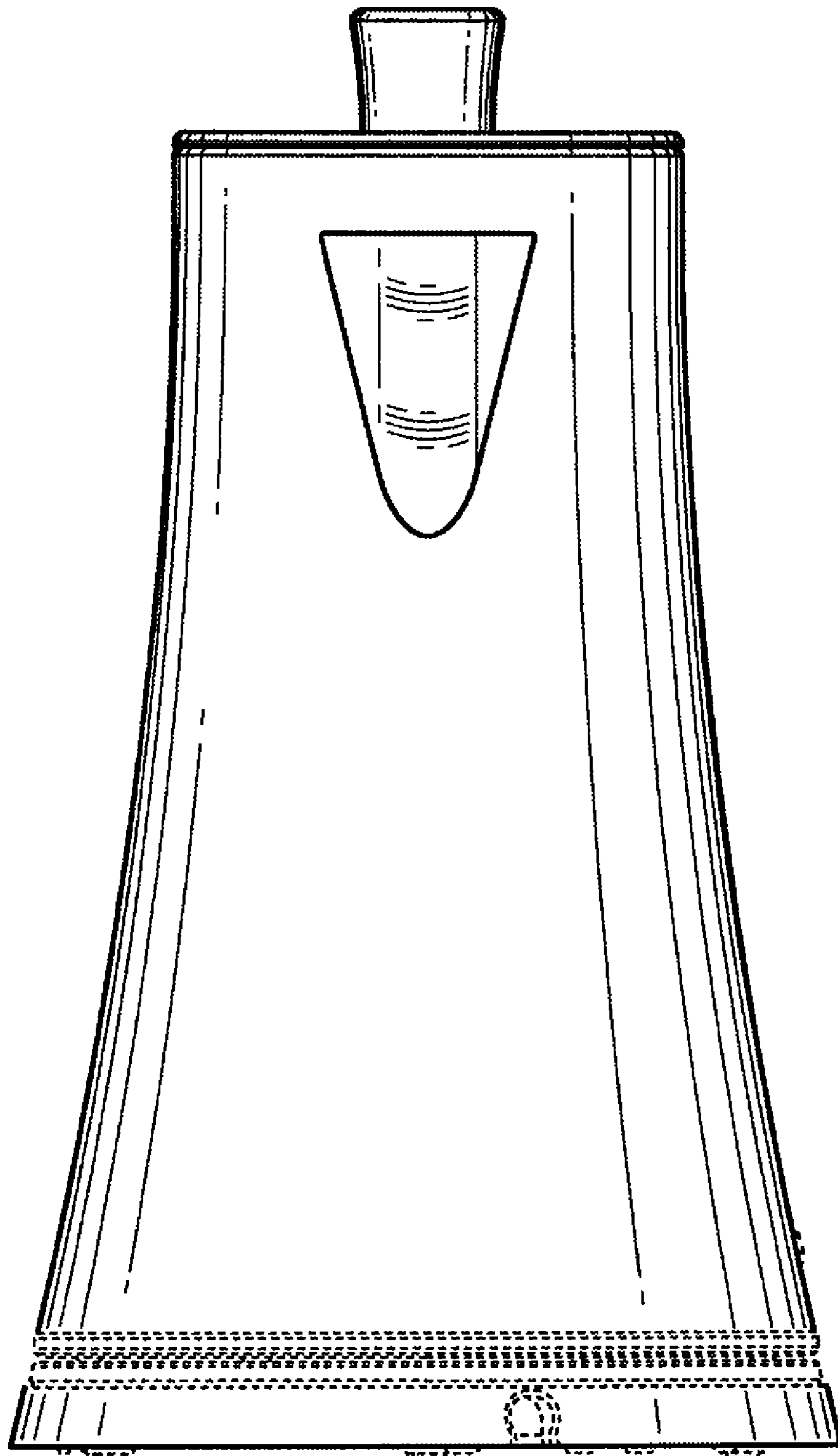
\* cited by examiner



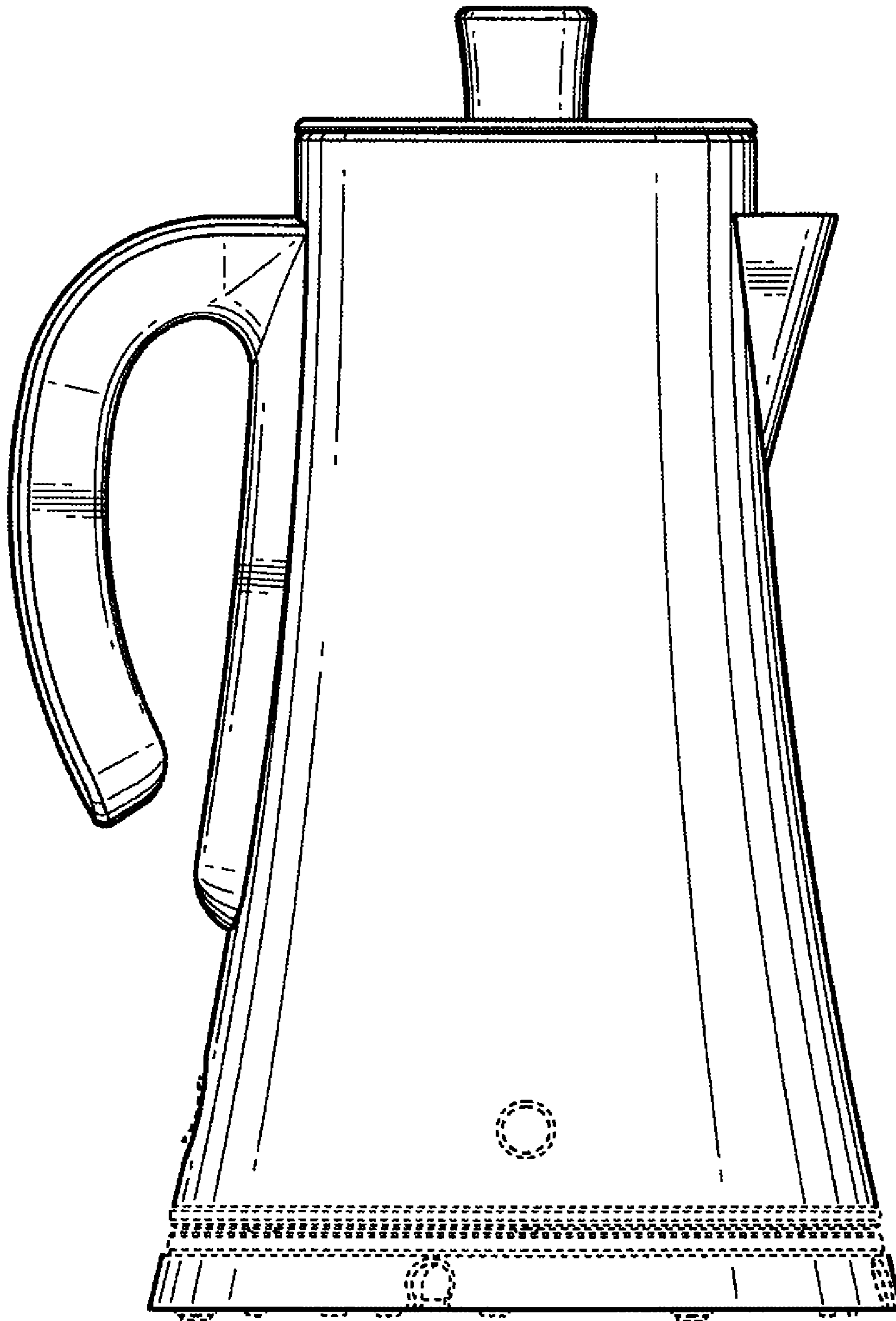
**FIG. 1**



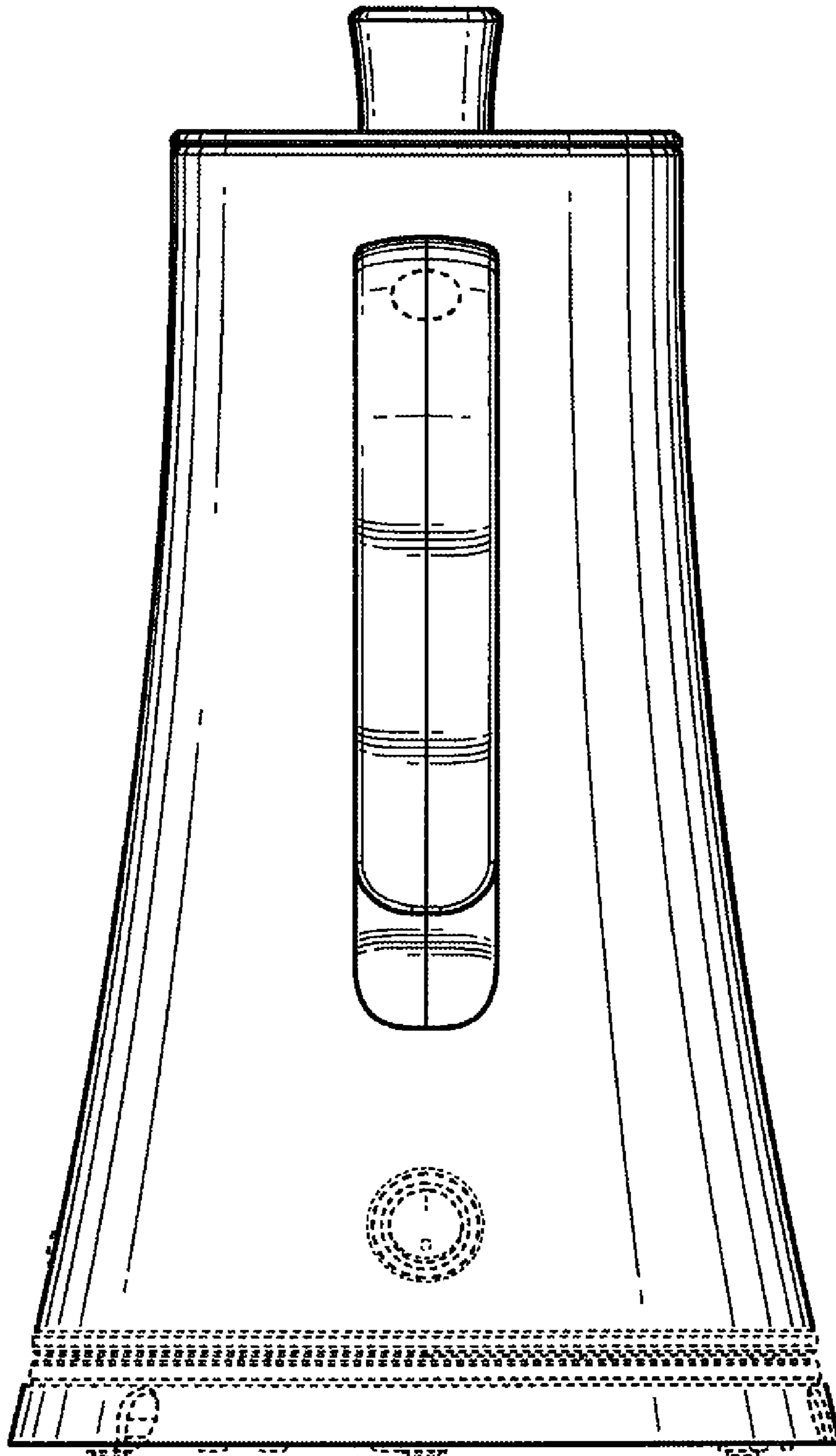
**FIG. 2**



**FIG. 3**



**FIG. 4**



**FIG. 5**

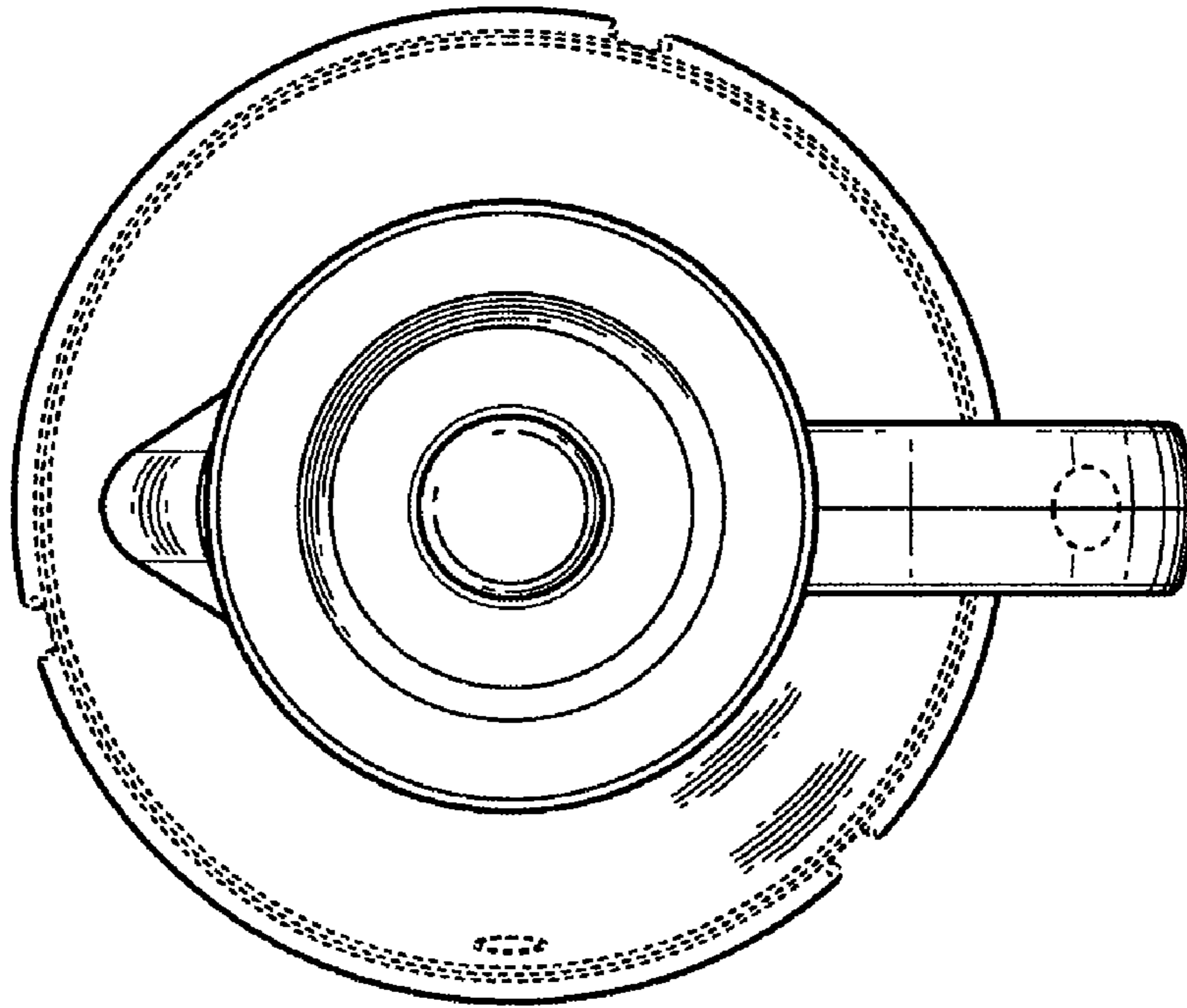


FIG. 6

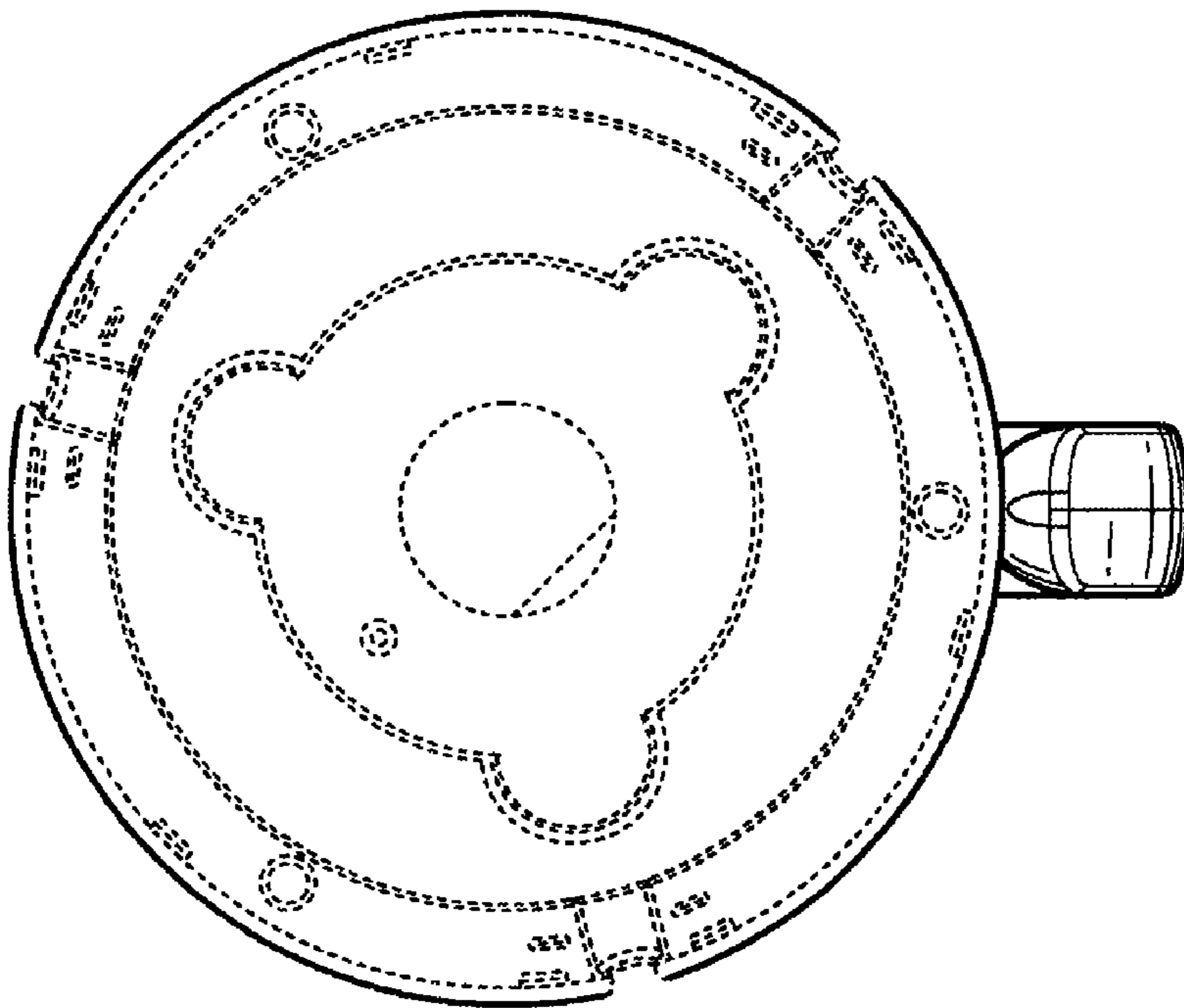
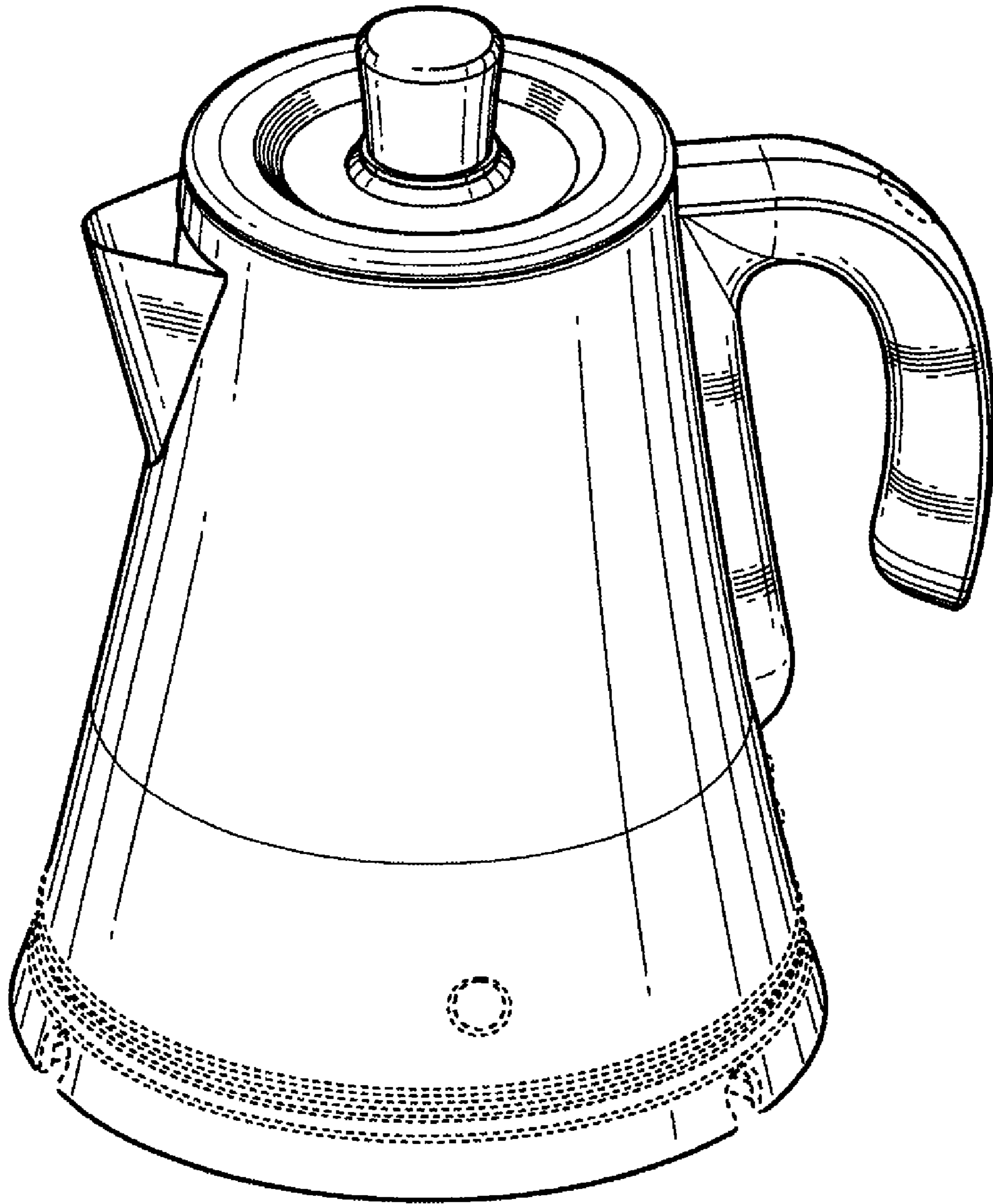
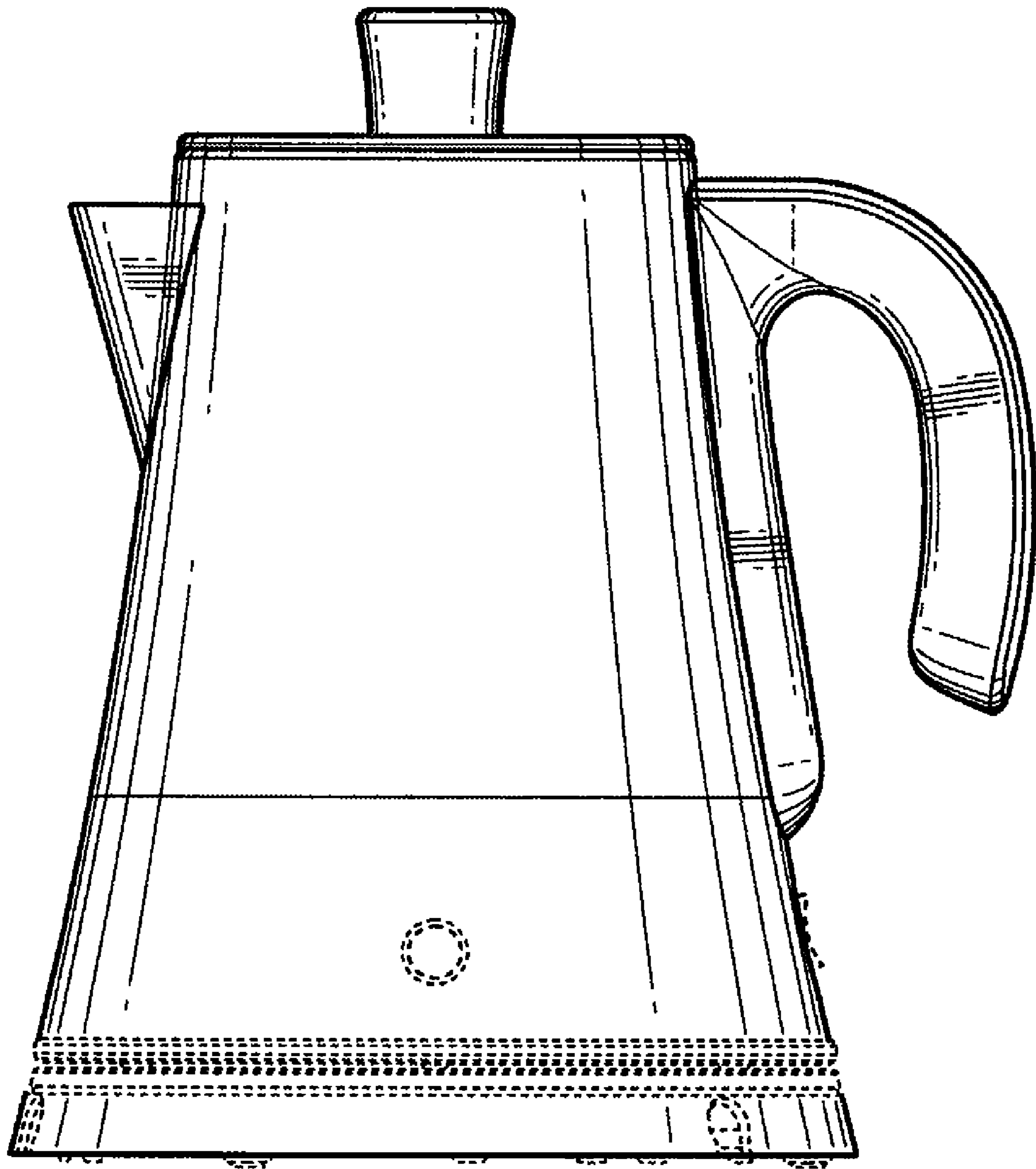


FIG. 7

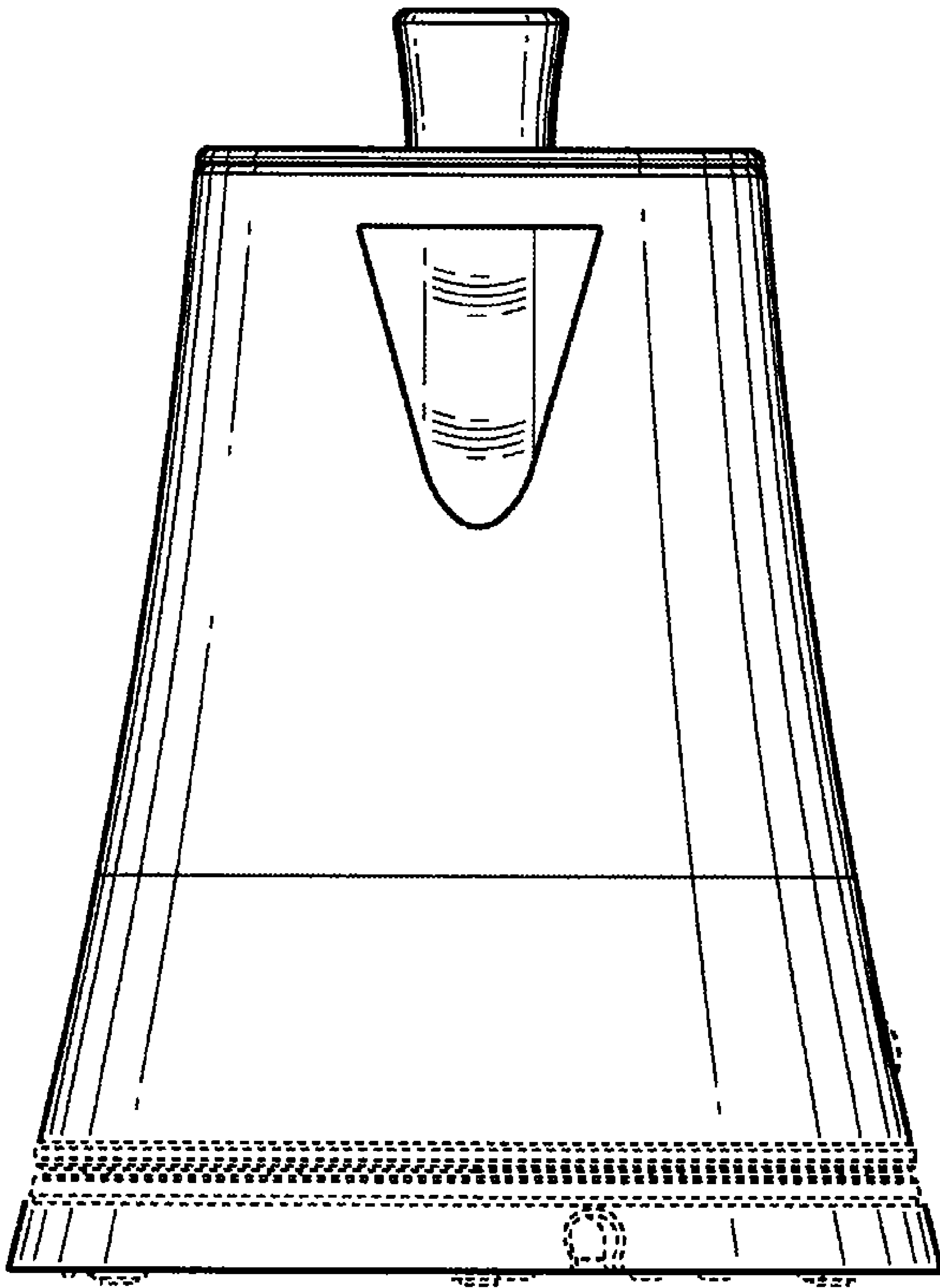




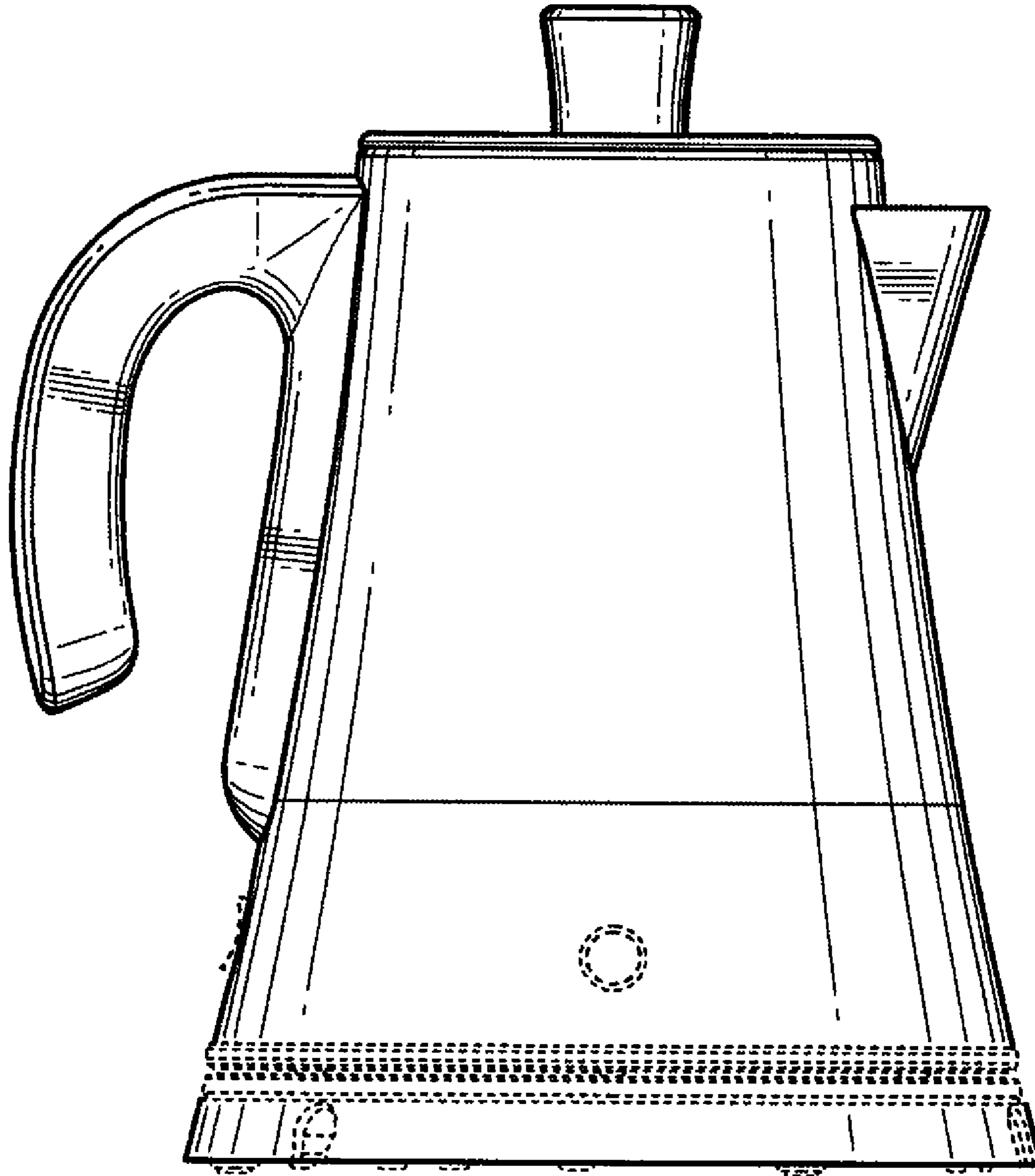
**FIG. 8**



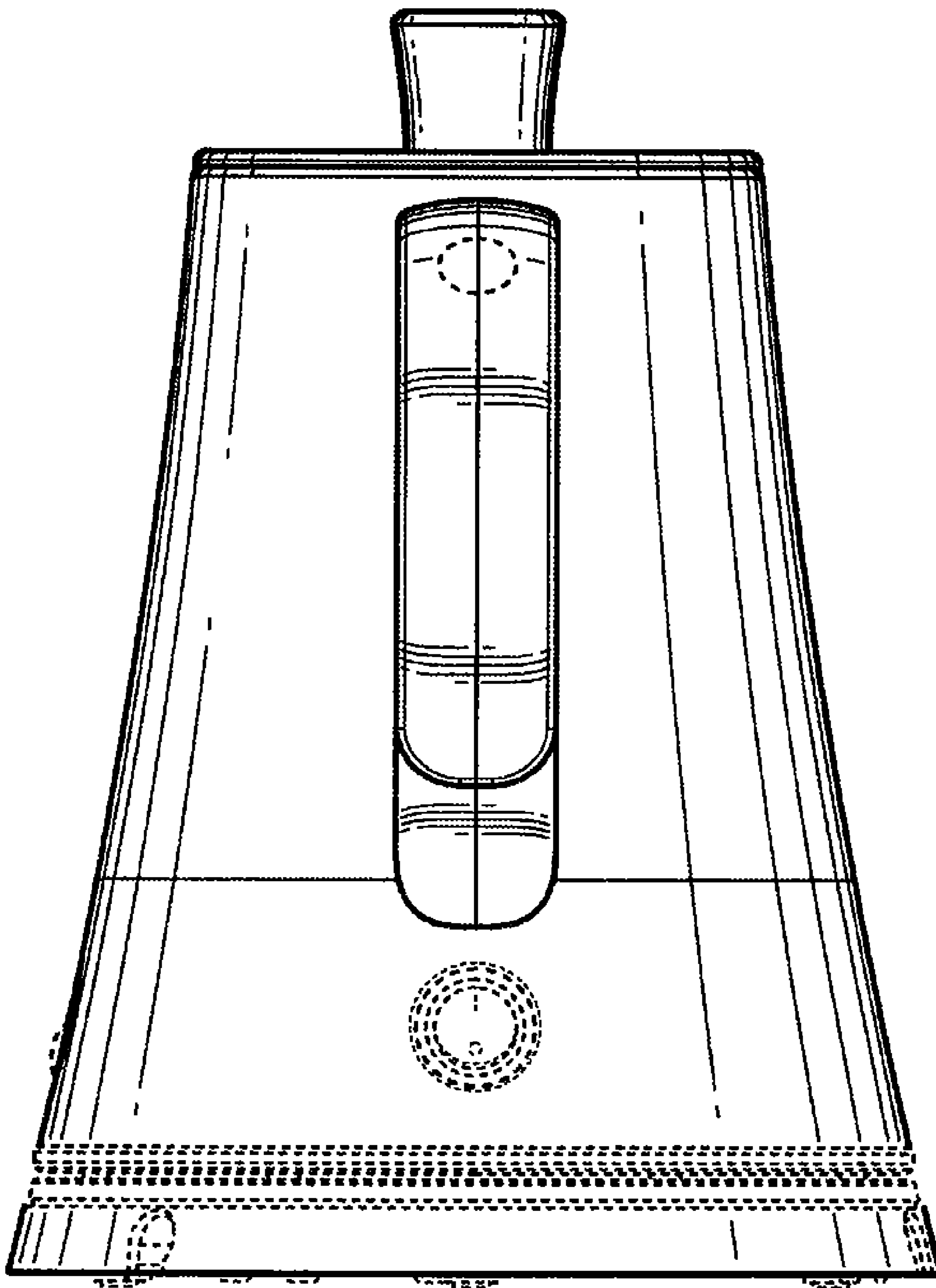
**FIG. 9**



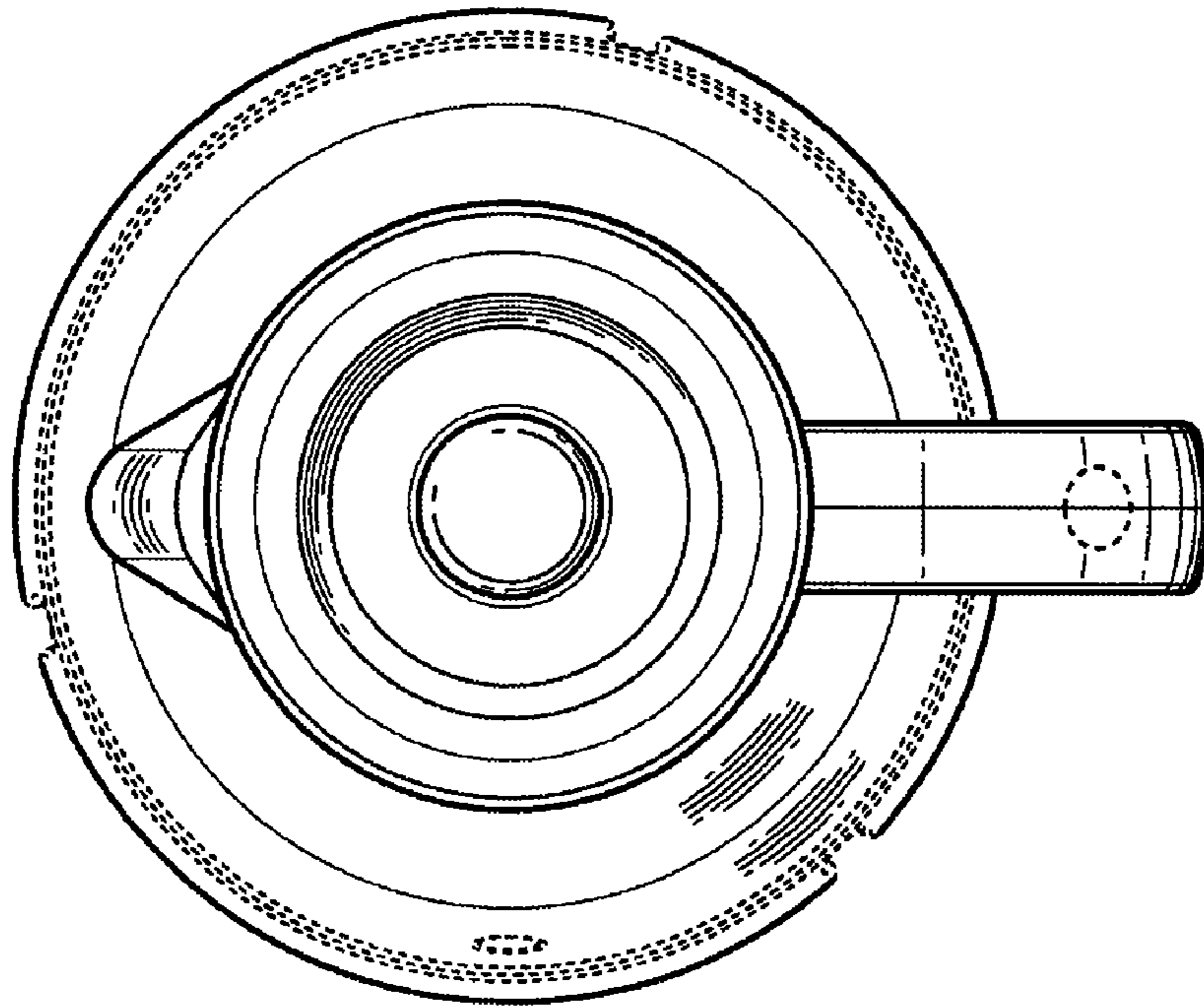
**FIG. 10**



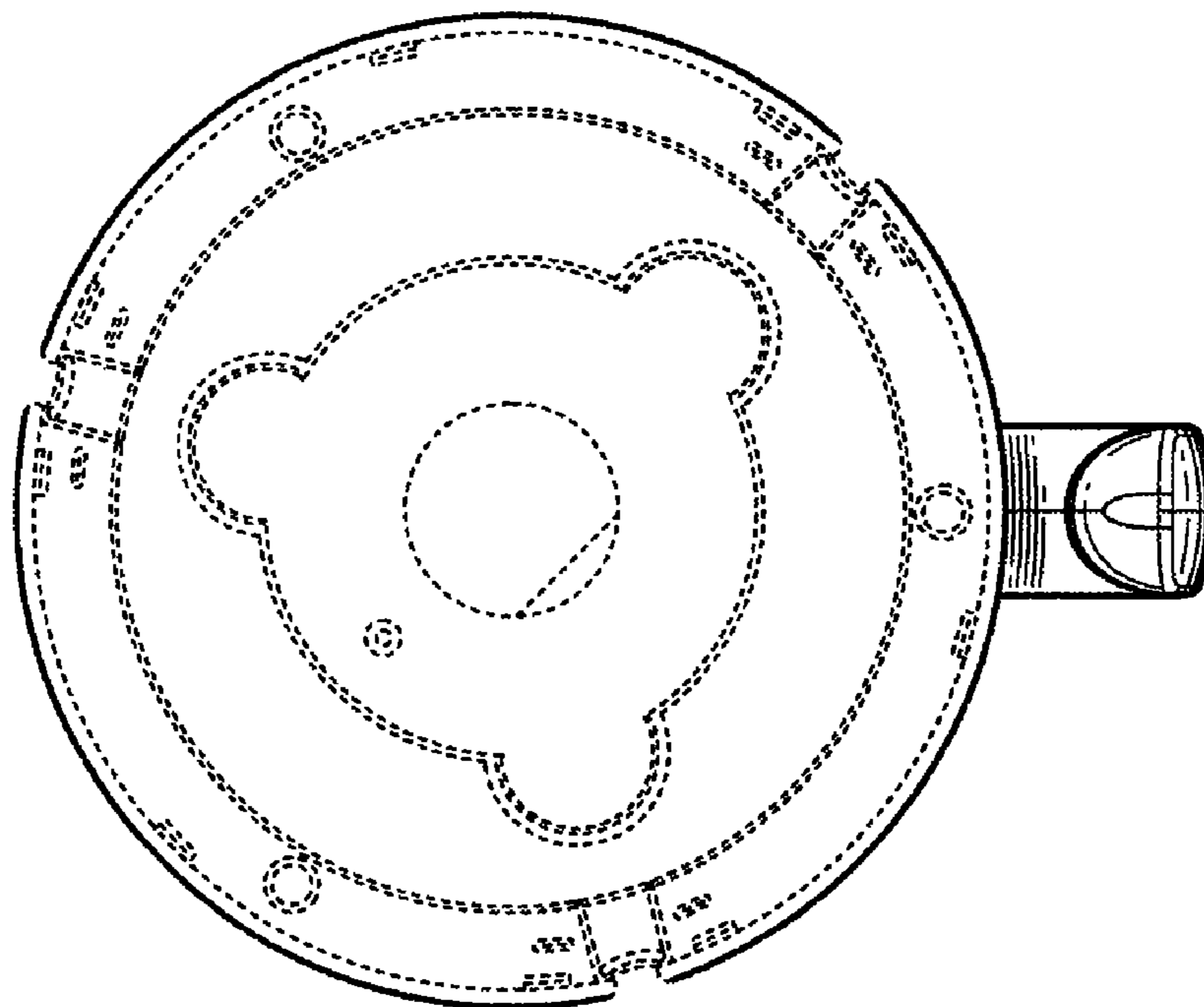
**FIG. 11**



**FIG. 12**



**FIG. 13**



**FIG. 14**