



US00D620301S

(12) **United States Design Patent**
Picozza et al.

(10) **Patent No.:** **US D620,301 S**
(45) **Date of Patent:** **** Jul. 27, 2010**

(54) **COFFEEMAKER**

(75) Inventors: **Augusto Picozza**, Boca Raton, FL (US);
Douglas Goodner, Weston, FL (US);
Brooks Rorke, Guilford, CT (US)

(73) Assignee: **Sunbeam Products, Inc.**, Boca Raton,
FL (US)

(**) Term: **14 Years**

(21) Appl. No.: **29/343,935**

(22) Filed: **Sep. 22, 2009**

(51) **LOC (9) Cl.** **07-01**

(52) **U.S. Cl.** **D7/309; D7/311**

(58) **Field of Classification Search** D7/309-311,
D7/306-308; 99/280, 283
See application file for complete search history.

(56) **References Cited**

U.S. PATENT DOCUMENTS

| | | | | |
|--------------|---------|-----------------|-------|--------|
| D343,758 S * | 2/1994 | Beeren | | D7/309 |
| D403,199 S * | 12/1998 | Micoley | | D7/309 |
| D446,989 S * | 8/2001 | Cruz | | D7/309 |
| D454,466 S * | 3/2002 | Hong | | D7/309 |
| D481,902 S * | 11/2003 | O'Connor et al. | | D7/309 |
| D498,110 S * | 11/2004 | Picozza et al. | | D7/309 |
| D511,066 S * | 11/2005 | Garner | | D7/309 |

| | | | | |
|--------------|--------|------------------|-------|--------|
| D518,328 S * | 4/2006 | Picozza et al. | | D7/309 |
| D546,112 S * | 7/2007 | Rorke et al. | | D7/309 |
| D550,499 S * | 9/2007 | Argabrite et al. | | D7/309 |
| D564,280 S * | 3/2008 | Ting et al. | | D7/309 |

* cited by examiner

Primary Examiner—Marianne Pandozzi

(74) *Attorney, Agent, or Firm*—Seth M. Blum

(57) **CLAIM**

The ornamental design for a coffeemaker, as shown and described.

DESCRIPTION

FIG. 1 is a front left perspective view of the coffeemaker showing the new design;

FIG. 2 is a back perspective view thereof;

FIG. 3 is a front elevation view thereof;

FIG. 4 is a back elevation thereof;

FIG. 5 is a left side elevation thereof;

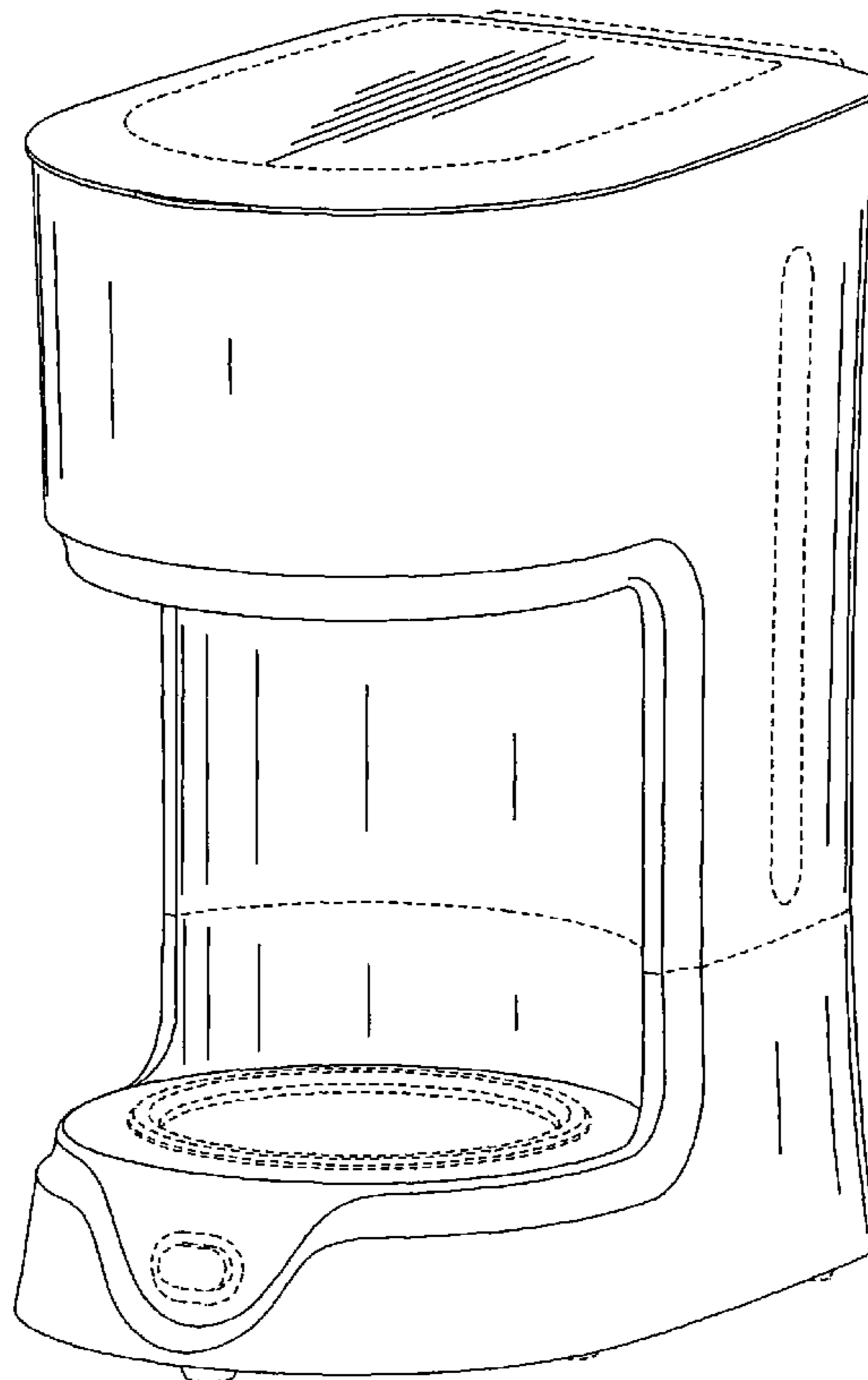
FIG. 6 is a right side elevation thereof,

FIG. 7 is an enlarged top plan view thereof; and,

FIG. 8 is an enlarged bottom plan view thereof.

The broken lines in the drawings are for illustrative purposes only and form no part of the claimed design.

1 Claim, 8 Drawing Sheets



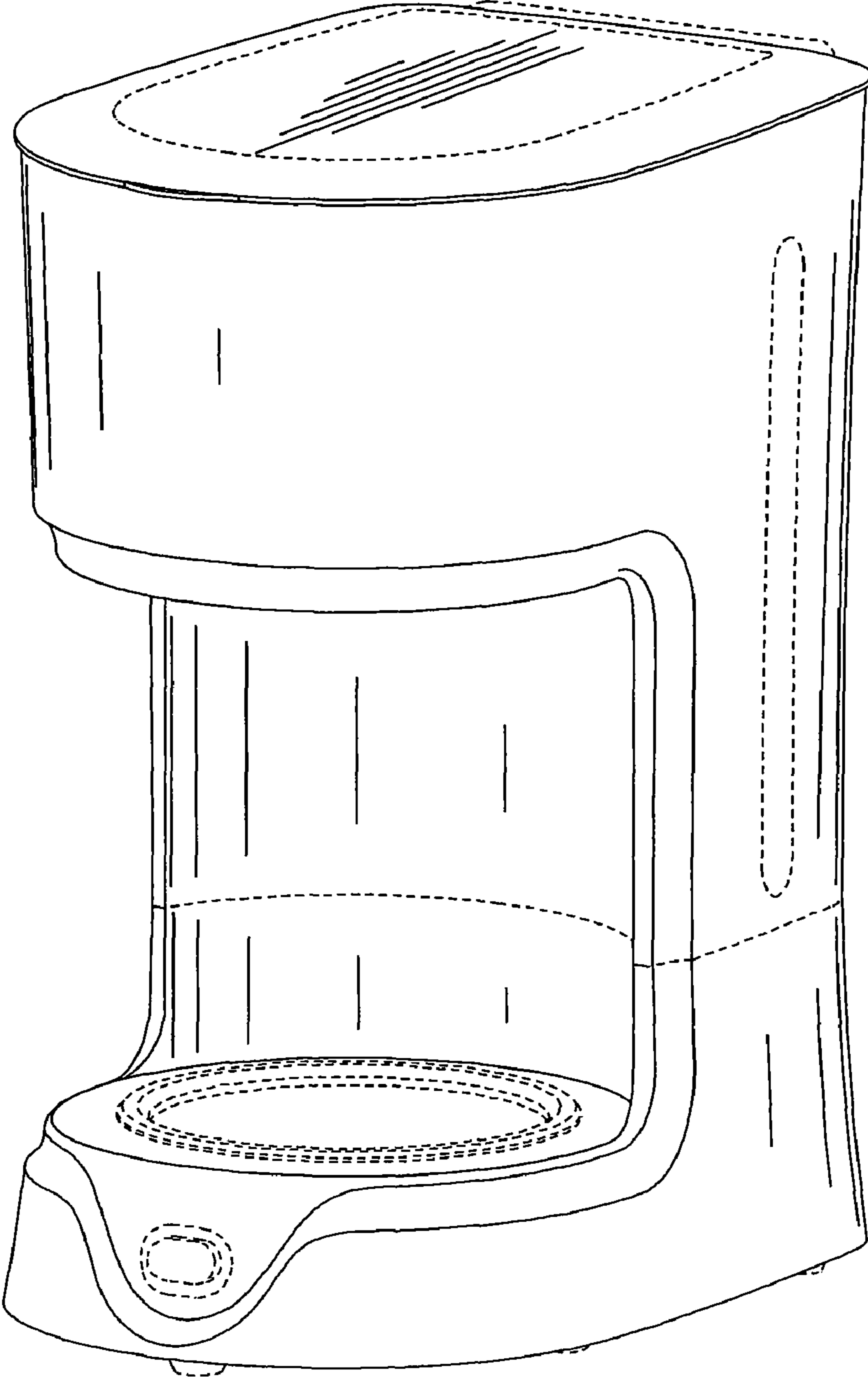


FIG 1

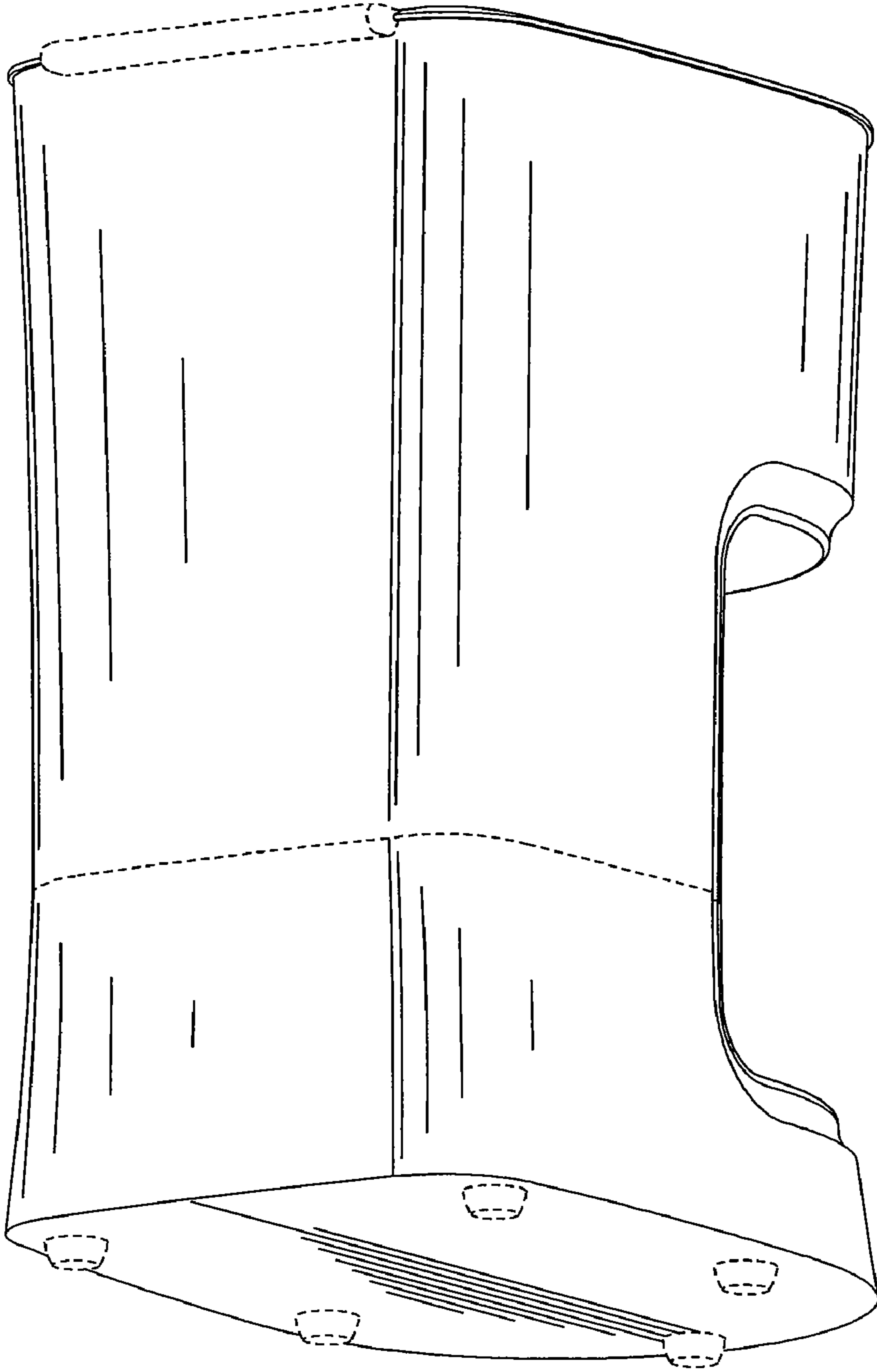


FIG 2

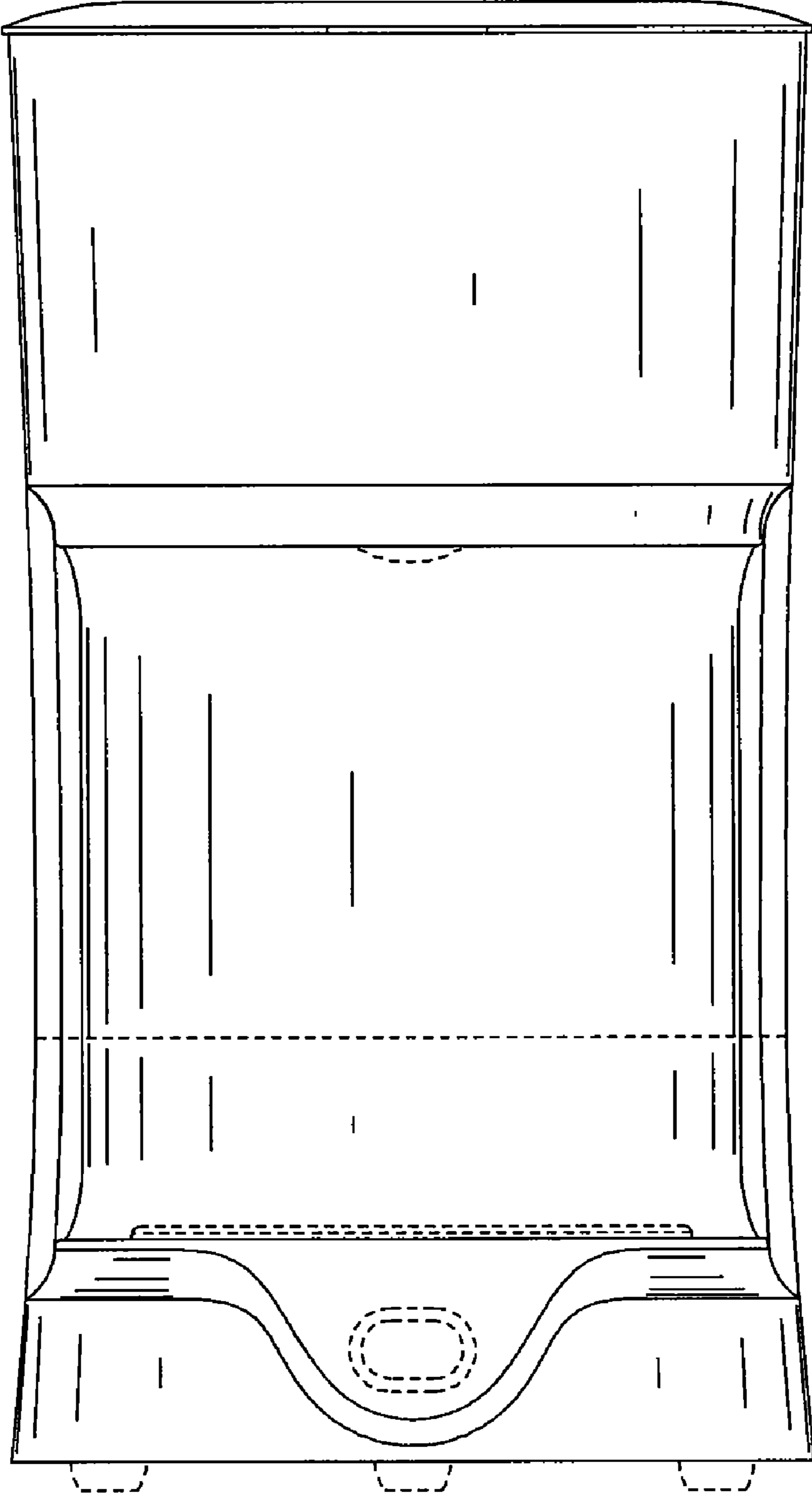


FIG 3

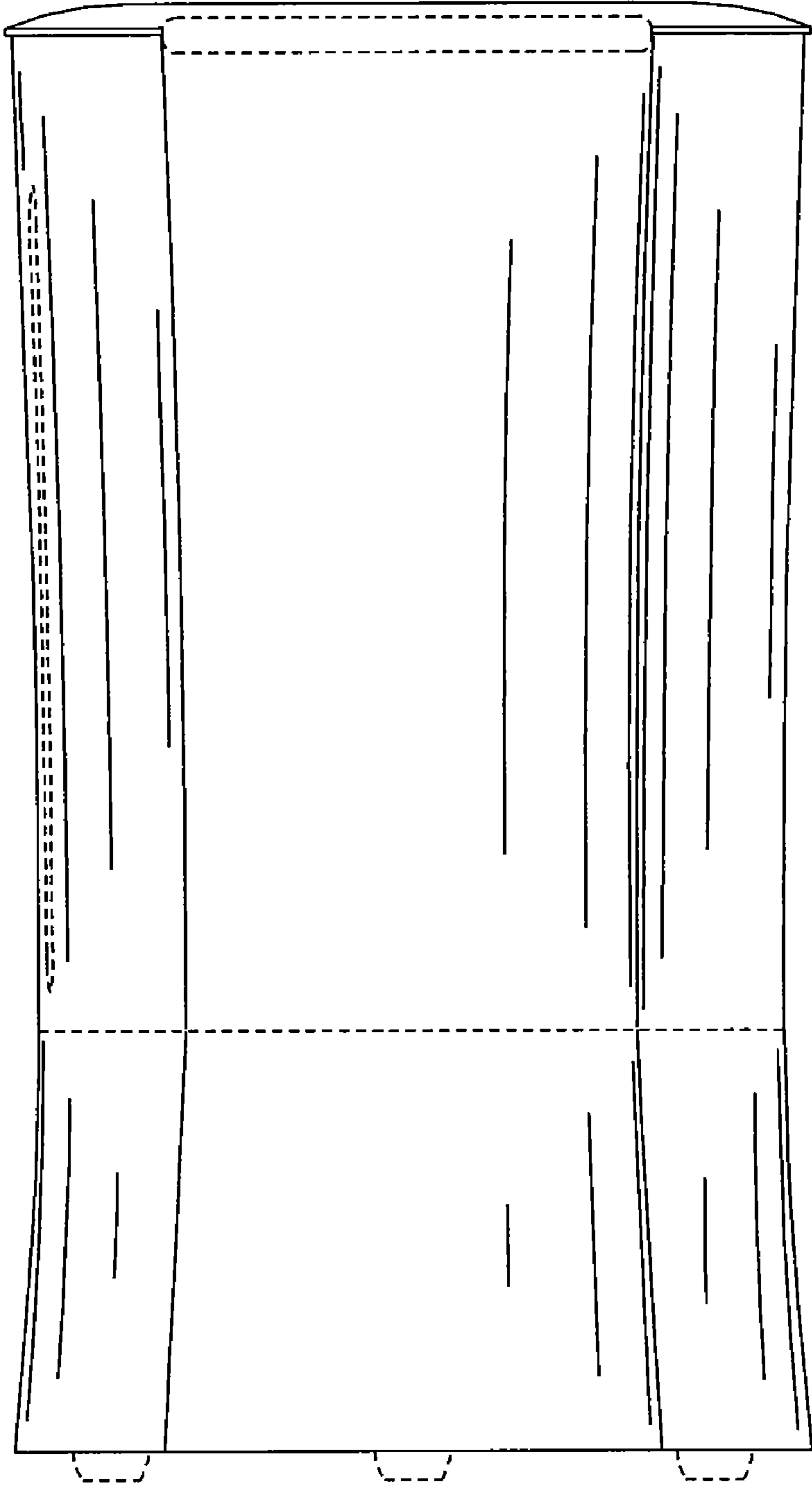


FIG 4

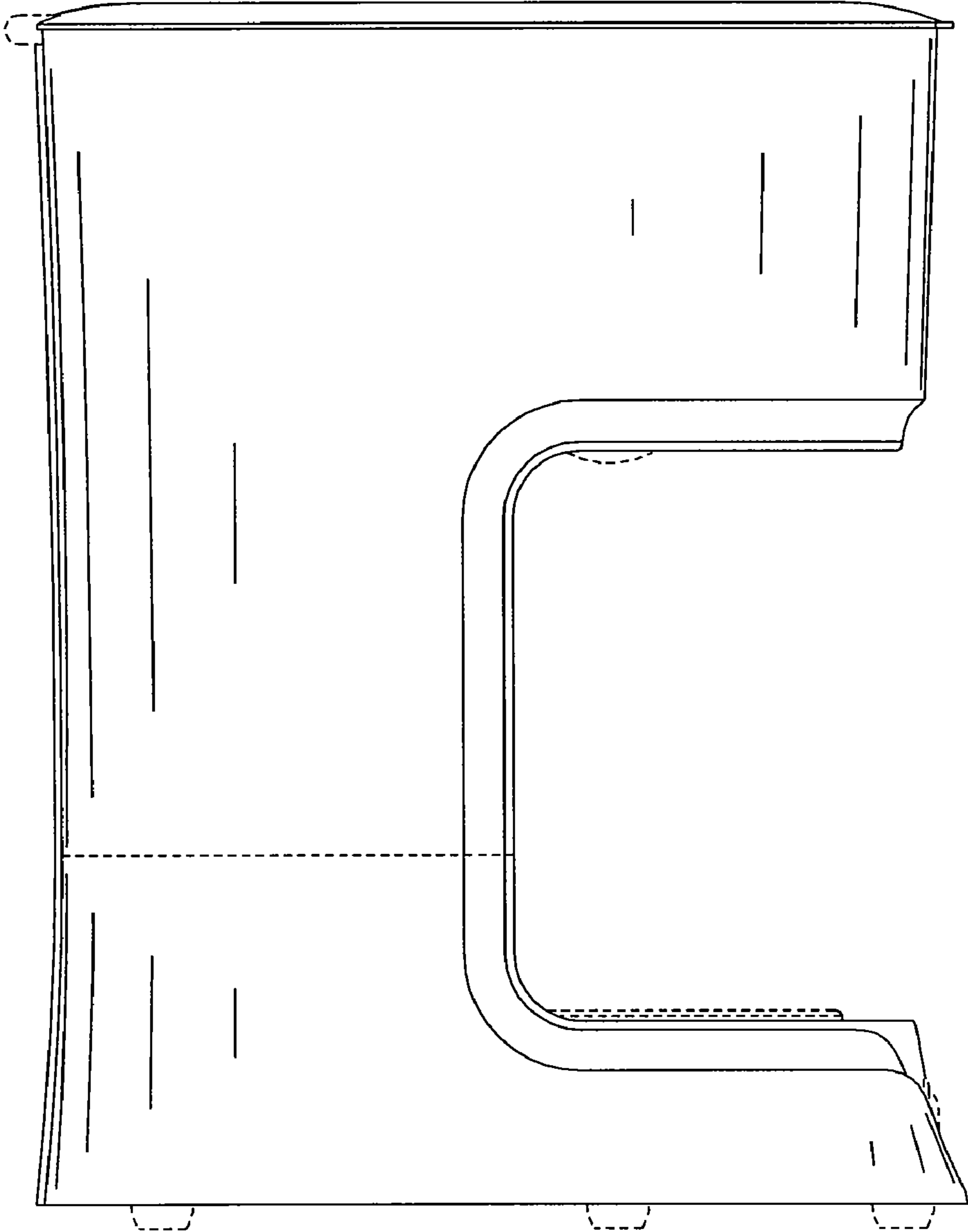


FIG 5

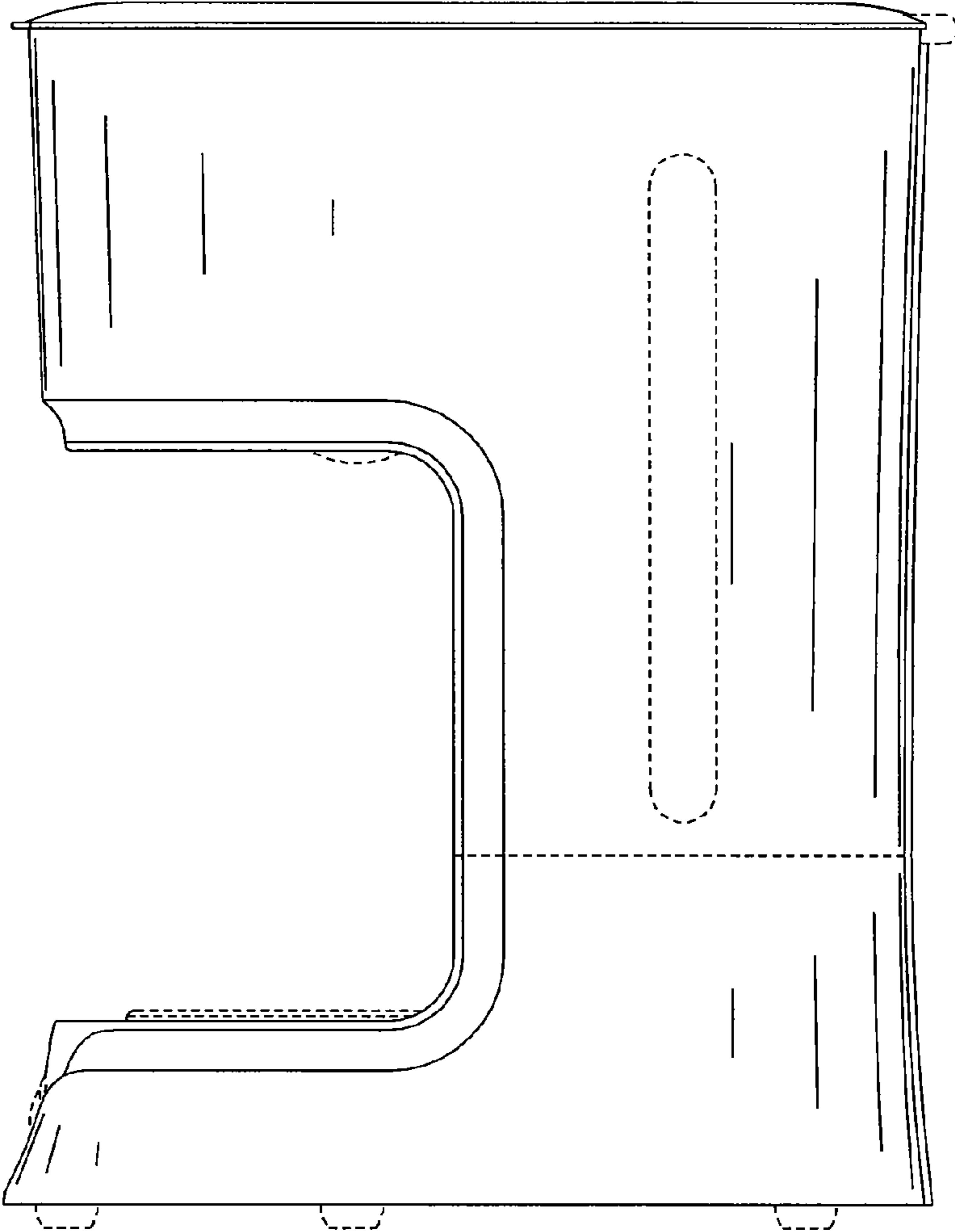


FIG 6

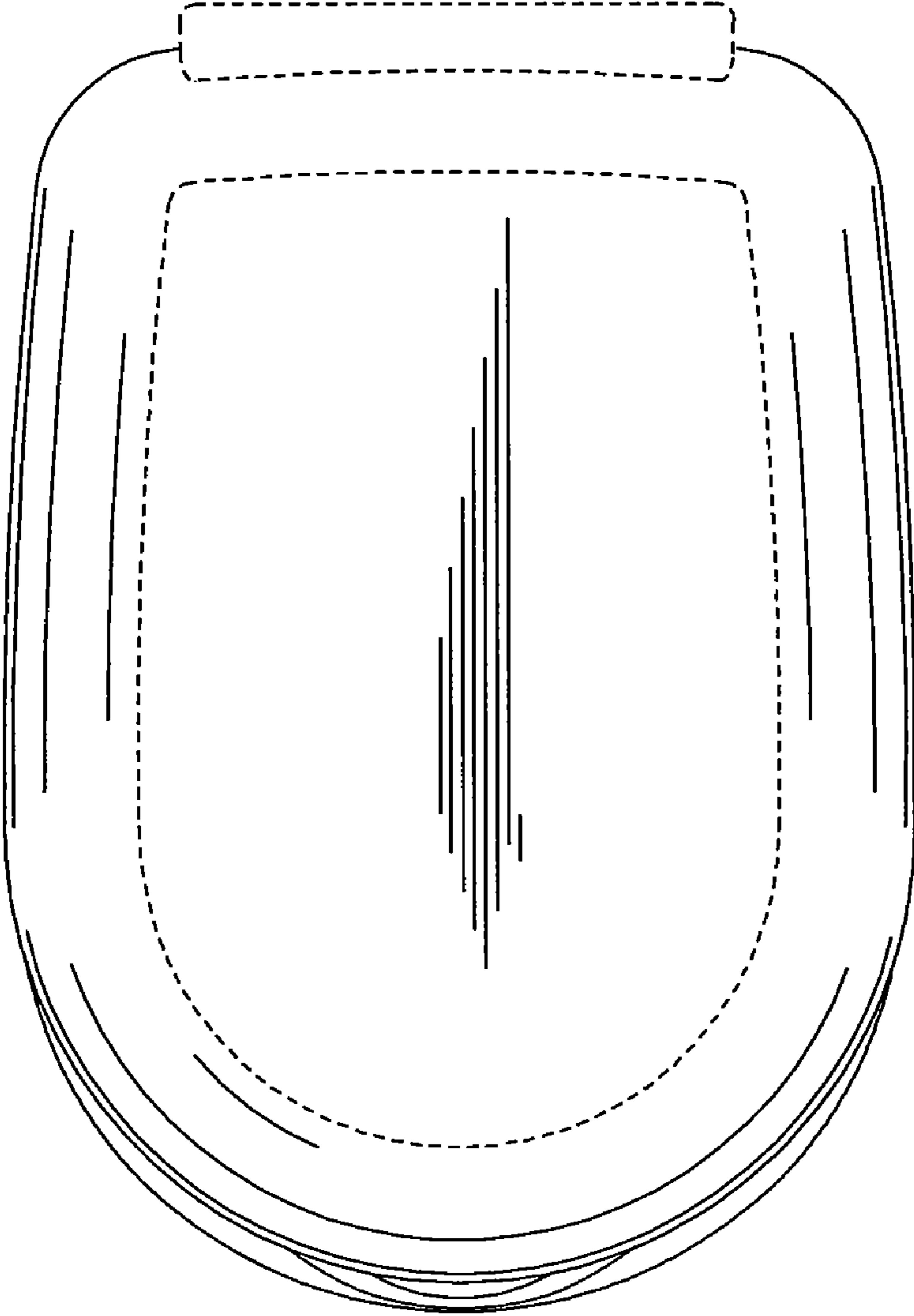


FIG 7

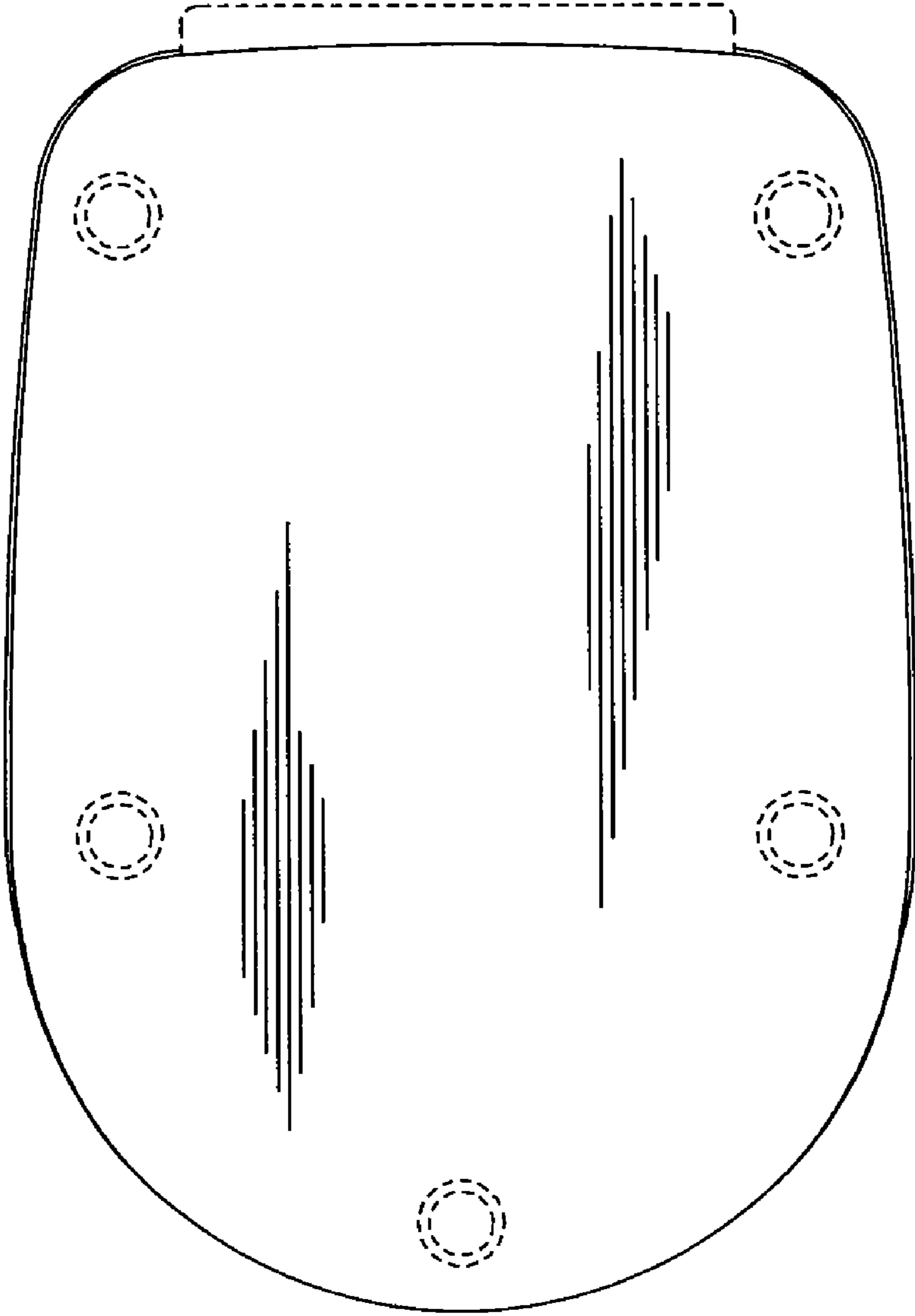


FIG 8