



US00D620297S

(12) **United States Design Patent**  
**Loewenthal et al.**

(10) **Patent No.:** **US D620,297 S**  
(45) **Date of Patent:** **\*\* Jul. 27, 2010**

(54) **CUSHION**

(75) Inventors: **Howard L. Loewenthal**, Hinckley, OH (US); **Daniel M. Hulse**, North Olmsted, OH (US); **Michael A. Babinec**, North Olmsted, OH (US)

(73) Assignee: **Invacare Corporation**, Elyria, OH (US)

(\*\*) Term: **14 Years**

(21) Appl. No.: **29/333,191**

(22) Filed: **Mar. 4, 2009**

(51) **LOC (9) Cl.** ..... **06-09**

(52) **U.S. Cl.** ..... **D6/601**

(58) **Field of Classification Search** ..... D6/595-599,  
D6/601, 604; 5/630, 633, 636, 637, 735,  
5/652-656, 655.3, 655.9, 706, 910, 922,  
5/420; D21/803, 809

See application file for complete search history.

(56) **References Cited**

**U.S. PATENT DOCUMENTS**

3,222,694	A *	12/1965	Schick	.....	5/653
4,193,150	A *	3/1980	Vineberg	.....	5/632
D295,248	S *	4/1988	Sommerfield et al.	.....	D6/601
4,951,334	A *	8/1990	Maier	.....	5/653
5,333,921	A *	8/1994	Dinsmoor, III	.....	297/219.1
5,343,876	A	9/1994	Rogers		
5,442,823	A *	8/1995	Siekman et al.	.....	5/653
5,687,436	A	11/1997	Denton		
5,950,263	A *	9/1999	Hanson et al.	.....	5/653
6,931,683	B1 *	8/2005	Elkin et al.	.....	5/655
D543,407	S *	5/2007	Thom	.....	D6/604
D566,448	S *	4/2008	Ridder	.....	D6/601
7,507,468	B2 *	3/2009	Landvik et al.	.....	428/316.6
7,530,640	B2 *	5/2009	Walters et al.	.....	297/440.22

\* cited by examiner

*Primary Examiner*—Janice E Seeger

*Assistant Examiner*—Zenia I Bennett

(74) *Attorney, Agent, or Firm*—Calfee, Halter & Griswold LLP

(57) **CLAIM**

The ornamental design for a cushion, as shown and described.

**DESCRIPTION**

FIG. 1 is a bottom perspective view of a cushion of the new design; the cushion shown in FIGS. 1-5 shows the cushion in use;

FIG. 2 is a front top perspective view of the cushion of FIG. 1;

FIG. 3 is a rear top perspective view of the cushion of FIG. 1;

FIG. 4 is a front plan view of the cushion of FIG. 1;

FIG. 5 is a right side elevational view of the cushion of FIG. 1;

FIG. 6 is a top perspective view of the cushion shown separately for convenience of illustration.

FIG. 7 is a front plan view of the cushion of FIG. 6;

FIG. 8 is a rear plan view of the cushion of FIG. 6;

FIG. 9 is a right side elevational view of the cushion of FIG. 6;

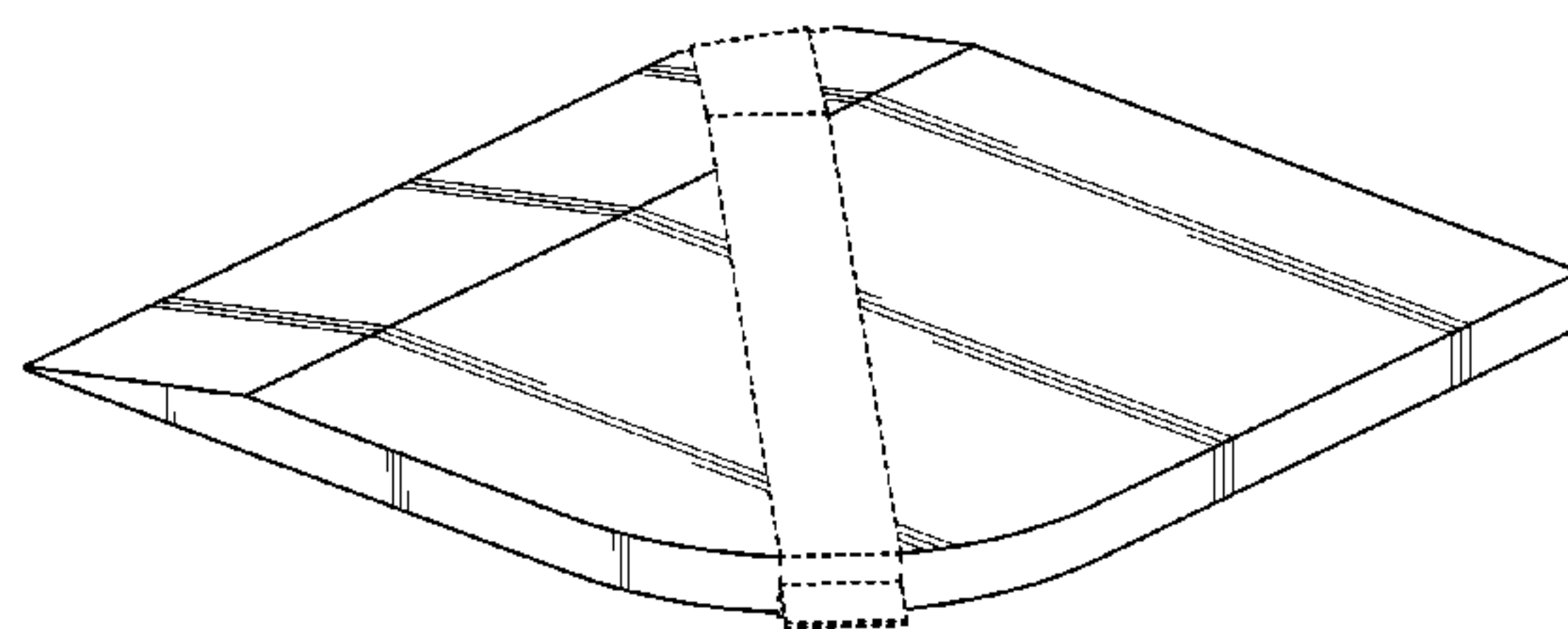
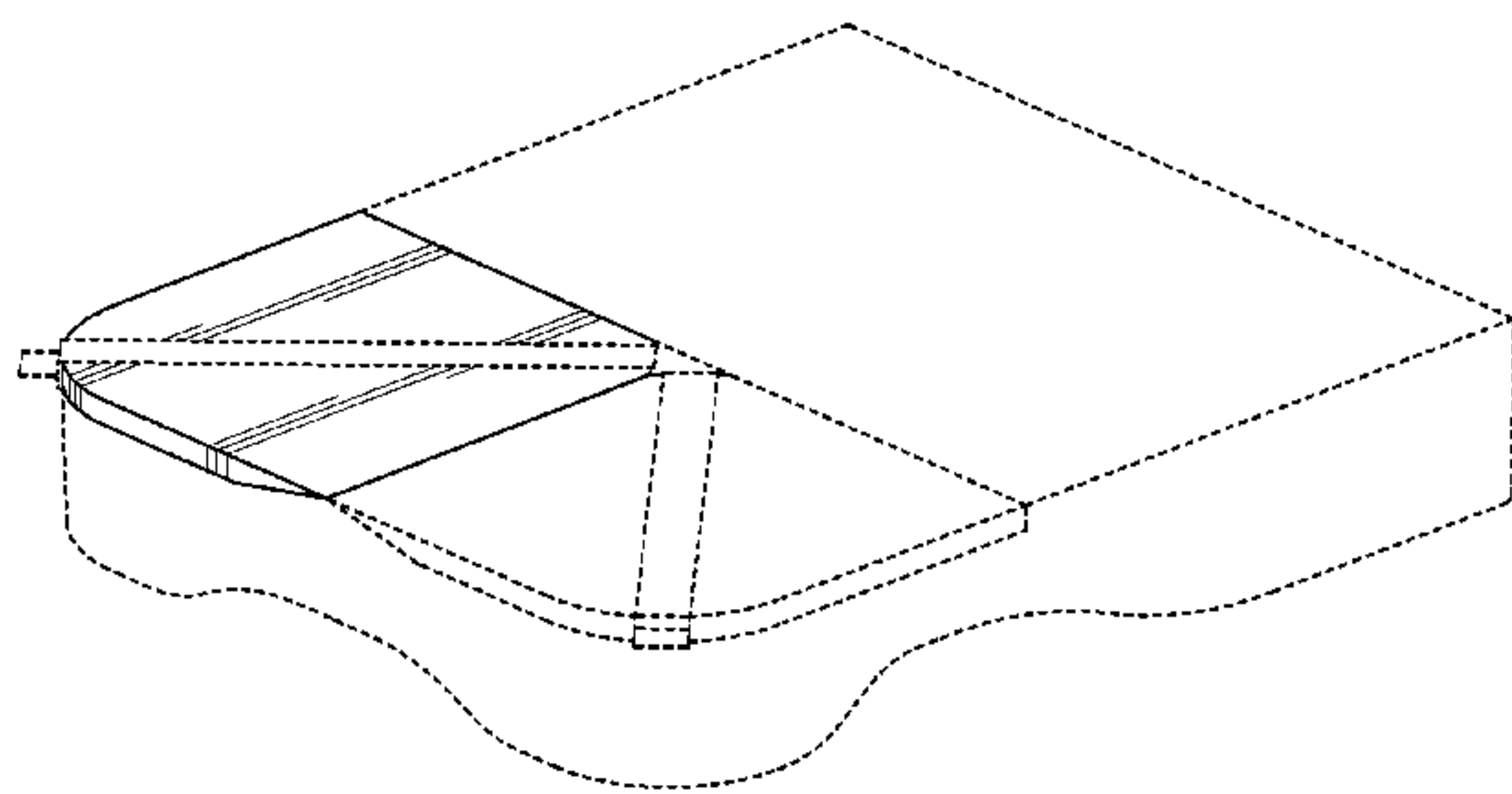
FIG. 10 is a left side elevational view of the cushion of FIG. 6;

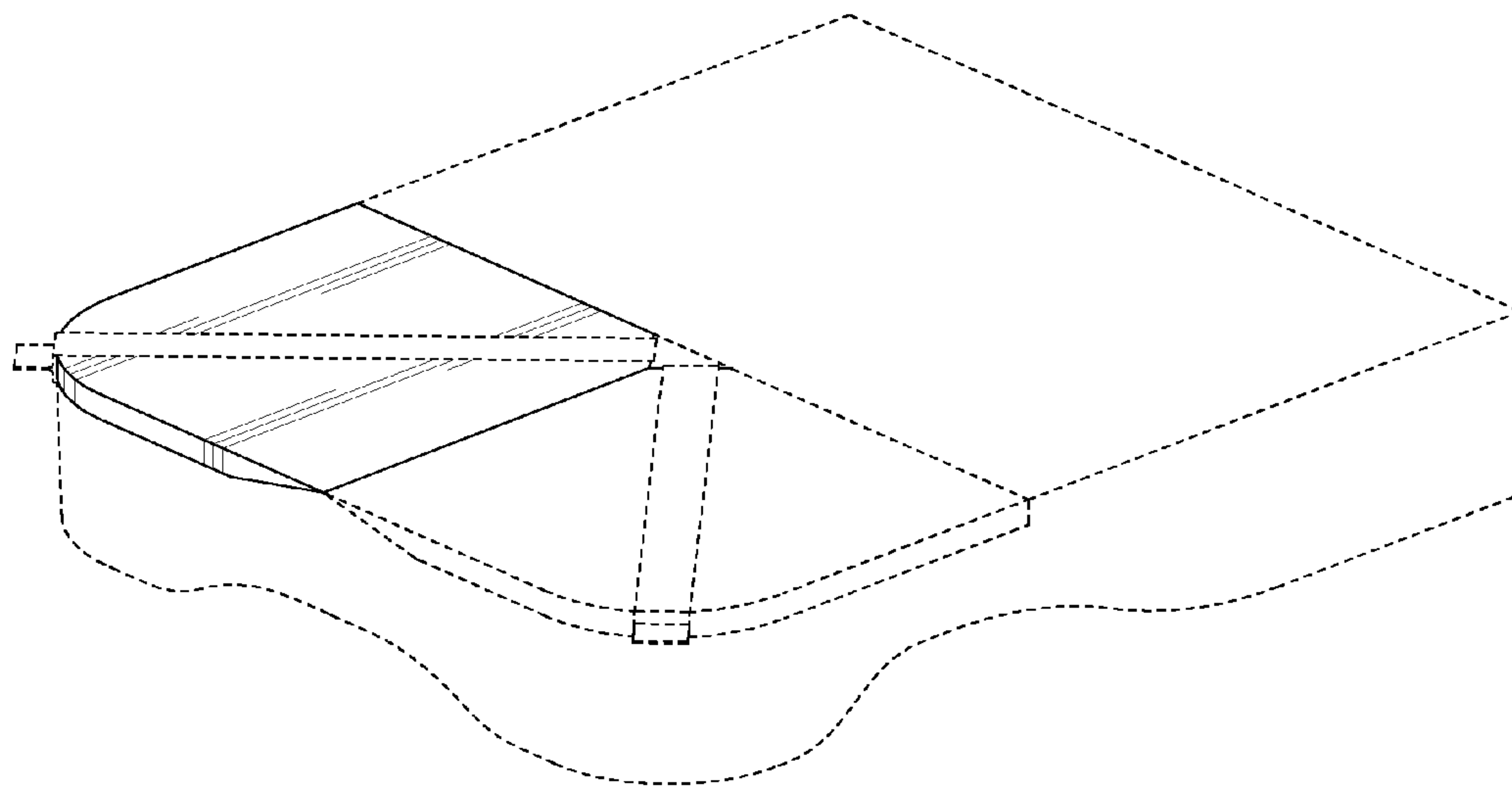
FIG. 11 is a top plan view of the cushion of FIG. 6; and,

FIG. 12 is a bottom plan view of the cushion of FIG. 6.

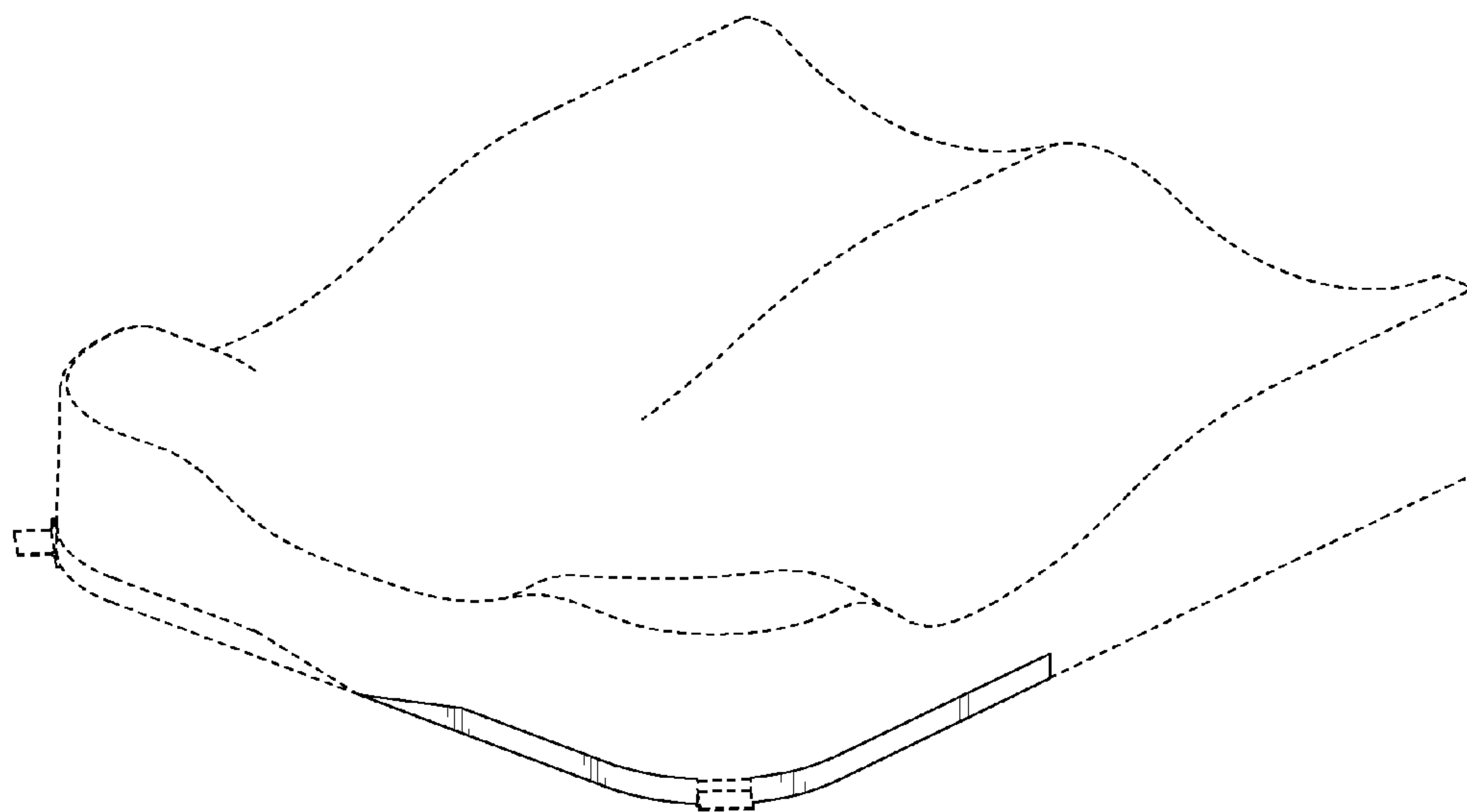
The portions of the Figures shown in broken lines are directed to environment and unclaimed subject matter and form no part of the claimed design and are for illustrative purposes only.

**1 Claim, 5 Drawing Sheets**

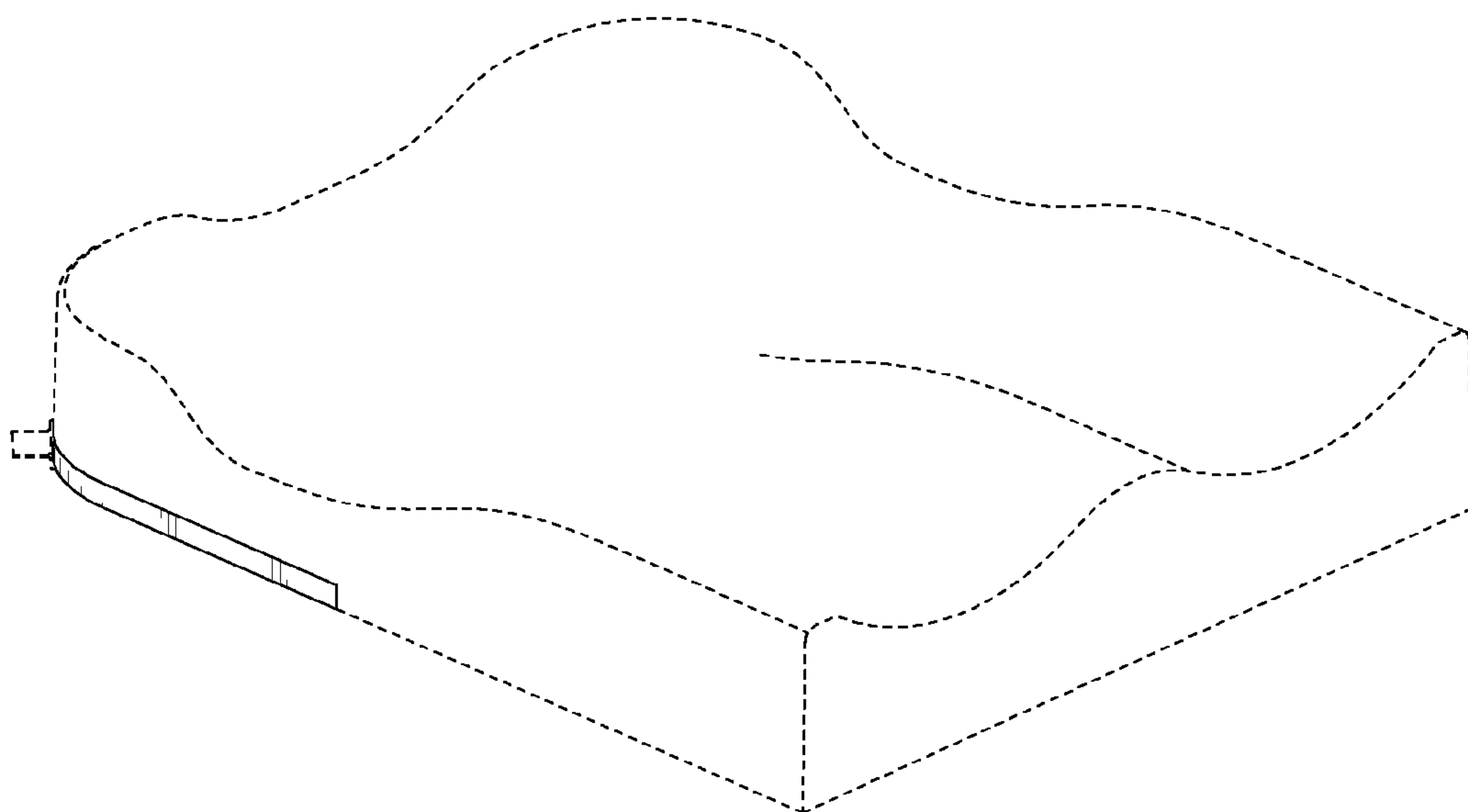




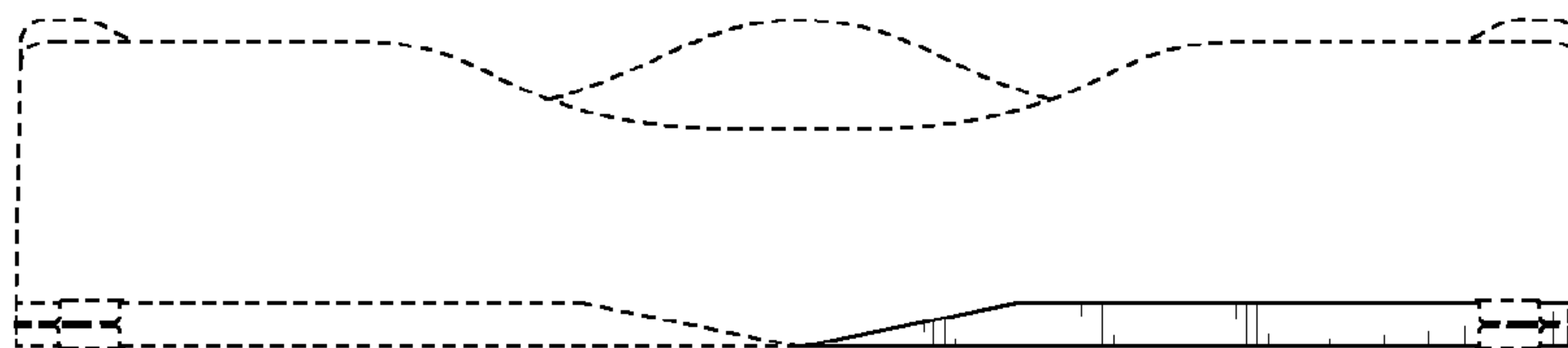
**FIG. 1**



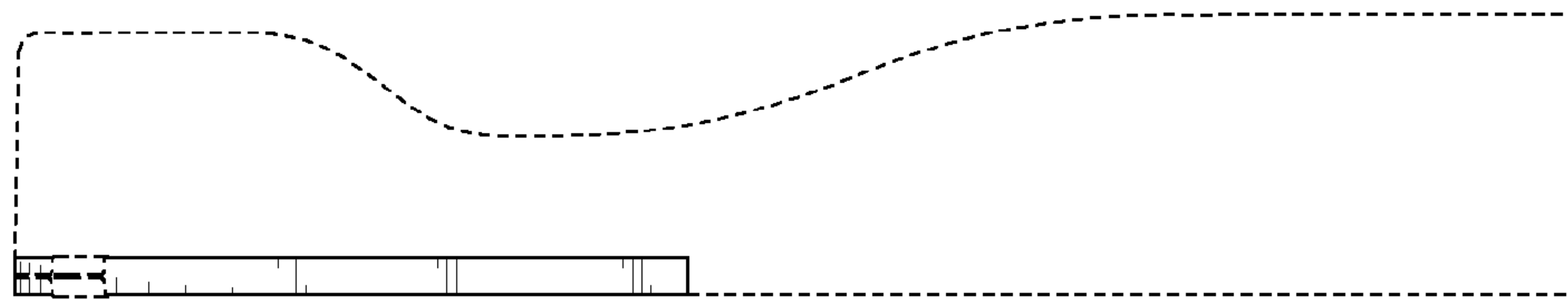
**FIG. 2**



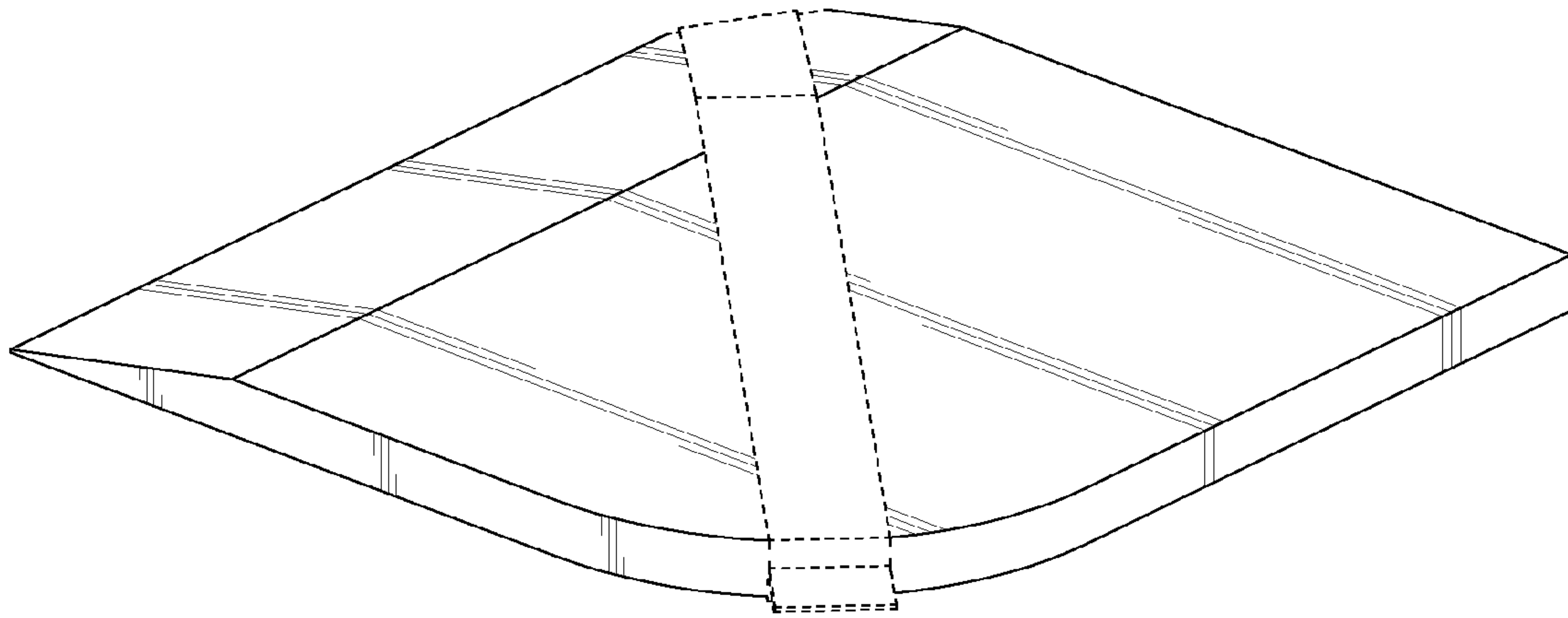
**FIG. 3**



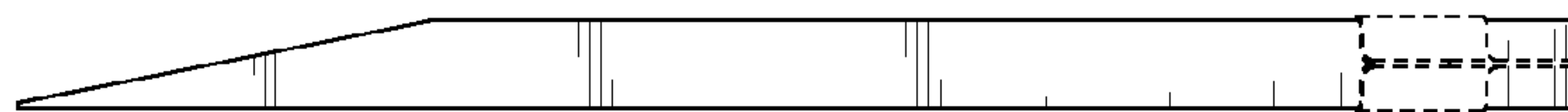
**FIG. 4**



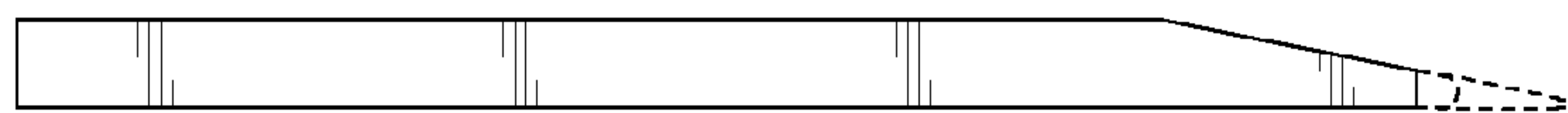
**FIG. 5**



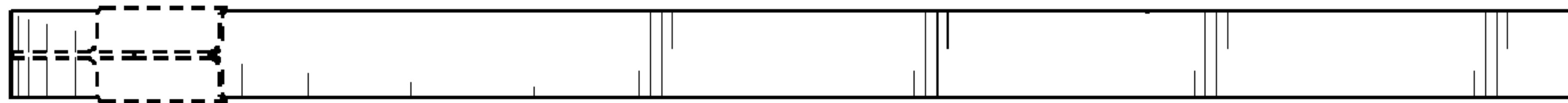
**FIG. 6**



**FIG. 7**



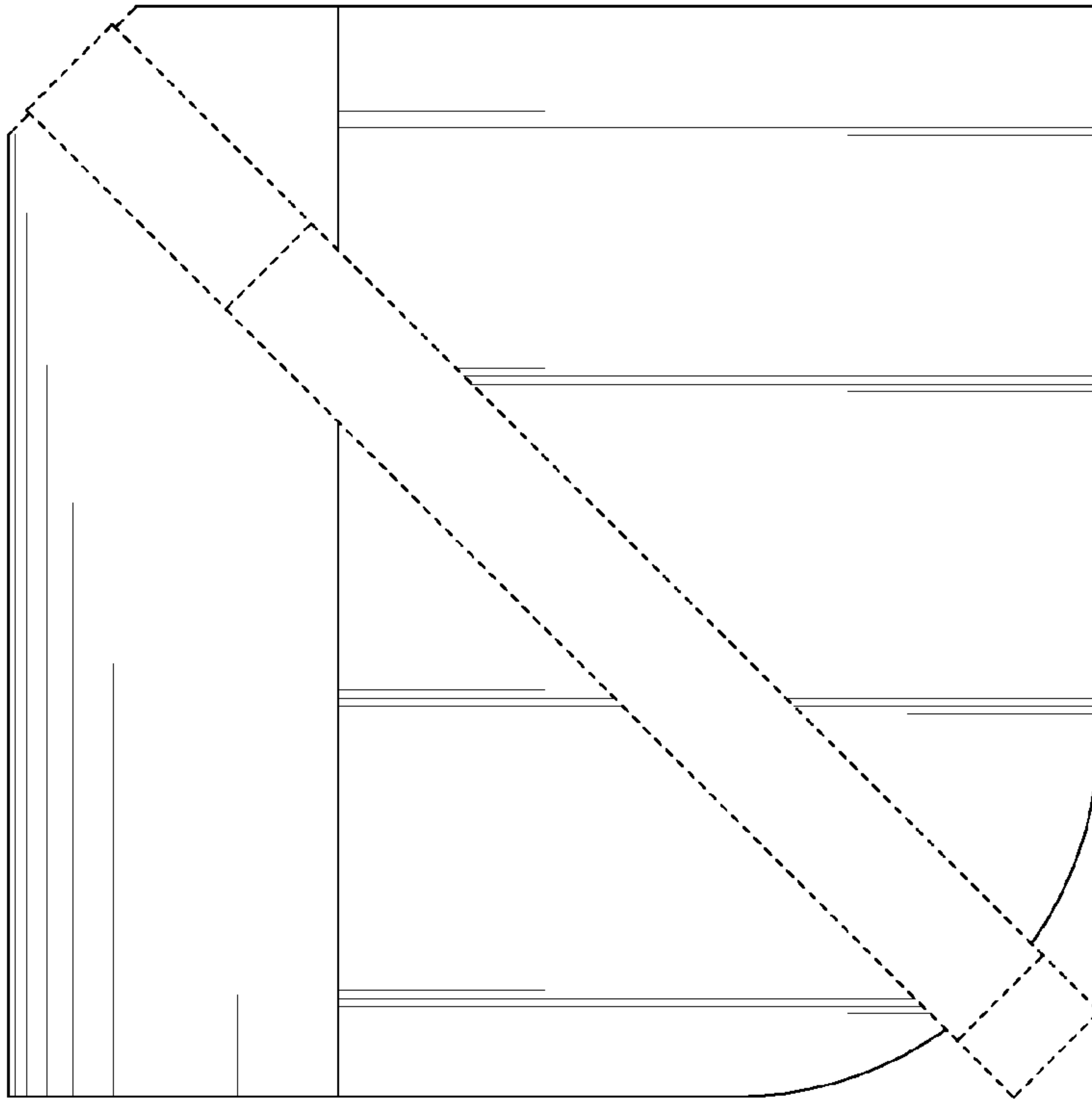
**FIG. 8**



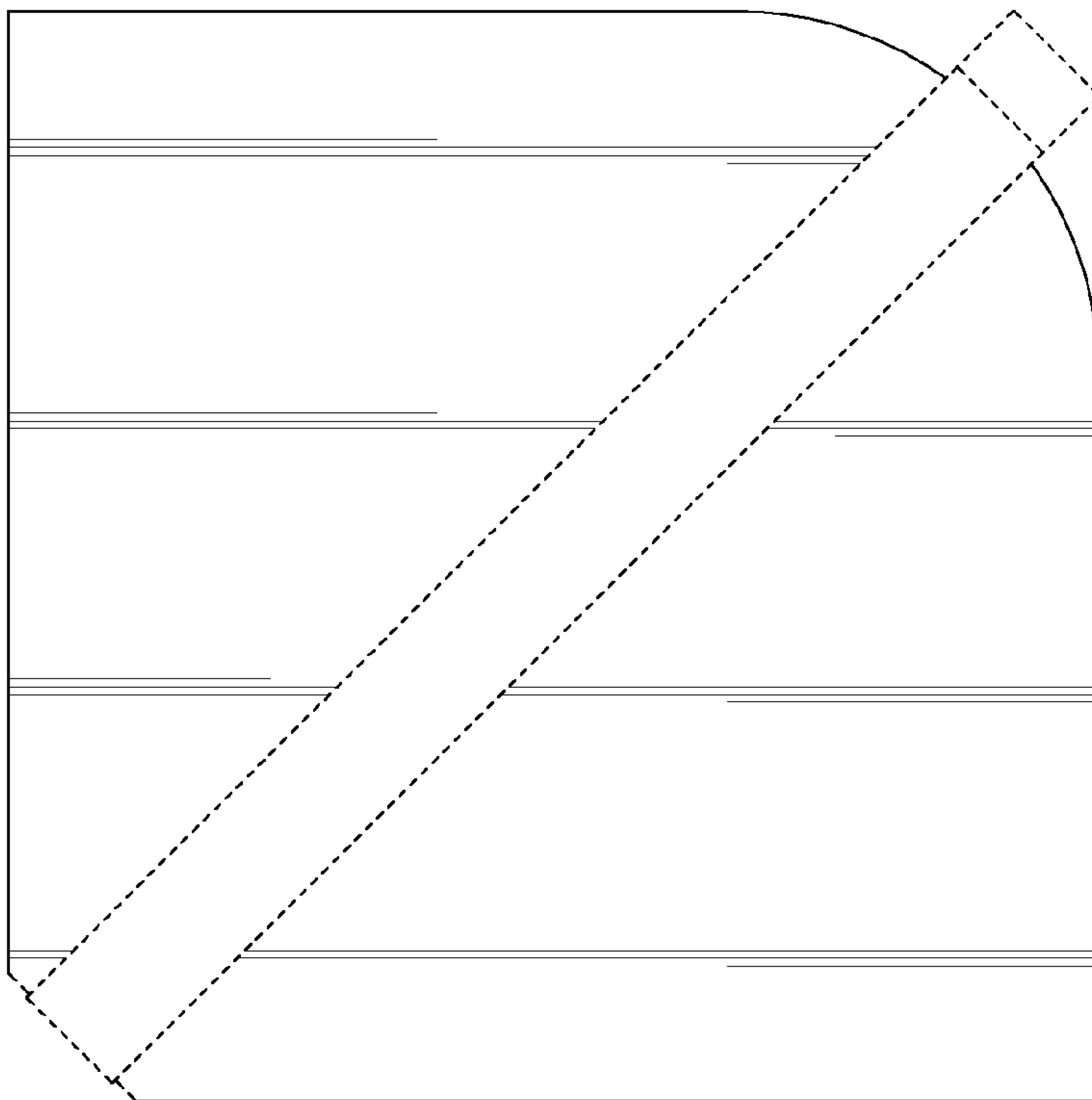
**FIG. 9**



**FIG. 10**



**FIG. 11**



**FIG. 12**