



US00D620295S

(12) **United States Design Patent**
Smith et al.

(10) **Patent No.:** **US D620,295 S**
(45) **Date of Patent:** **** Jul. 27, 2010**

(54) **WALL-MOUNT CADDY**

(75) Inventors: **Scott A. Smith**, Mason, OH (US);
Patrick J. Bertke, Dayton, OH (US);
Michael D. McClurg, Jr., Minster, OH (US)

(73) Assignee: **Six Continents Hotels, Inc.**, Atlanta, GA (US)

(**) Term: **14 Years**

(21) Appl. No.: **29/355,114**

(22) Filed: **Feb. 2, 2010**

Related U.S. Application Data

(62) Division of application No. 29/334,888, filed on Apr. 3, 2009, now Pat. No. Des. 611,745.

(51) **LOC (9) Cl.** **06-04**

(52) **U.S. Cl.** **D6/570**

(58) **Field of Classification Search** D6/515,
D6/553, 564, 569, 570, 574, 629, 462, 468,
D6/567; 108/28-29; 211/11, 13.1, 42, 71.01,
211/86.01, 88.01, 88.03, 90.01, 126.1, 133.5,
211/134, 153, 182; 248/235, 309.1

See application file for complete search history.

(56) **References Cited**

U.S. PATENT DOCUMENTS

D383,344 S * 9/1997 Andrus D6/525

D447,900 S * 9/2001 Wright D6/525
D545,601 S * 7/2007 Yang et al. D6/525
D571,136 S * 6/2008 Kramer D6/525
D598,688 S * 8/2009 Yang et al. D6/525

* cited by examiner

Primary Examiner—Brian N Vinson

(74) *Attorney, Agent, or Firm*—Cowan, Liebowitz & Latman, PC

(57) **CLAIM**

The ornamental design for a wall-mount caddy, as shown and described.

DESCRIPTION

FIG. 1 is a perspective view of an wall-mount caddy showing my design thereof;

FIG. 2 is a top view thereof;

FIG. 3 is a front view thereof;

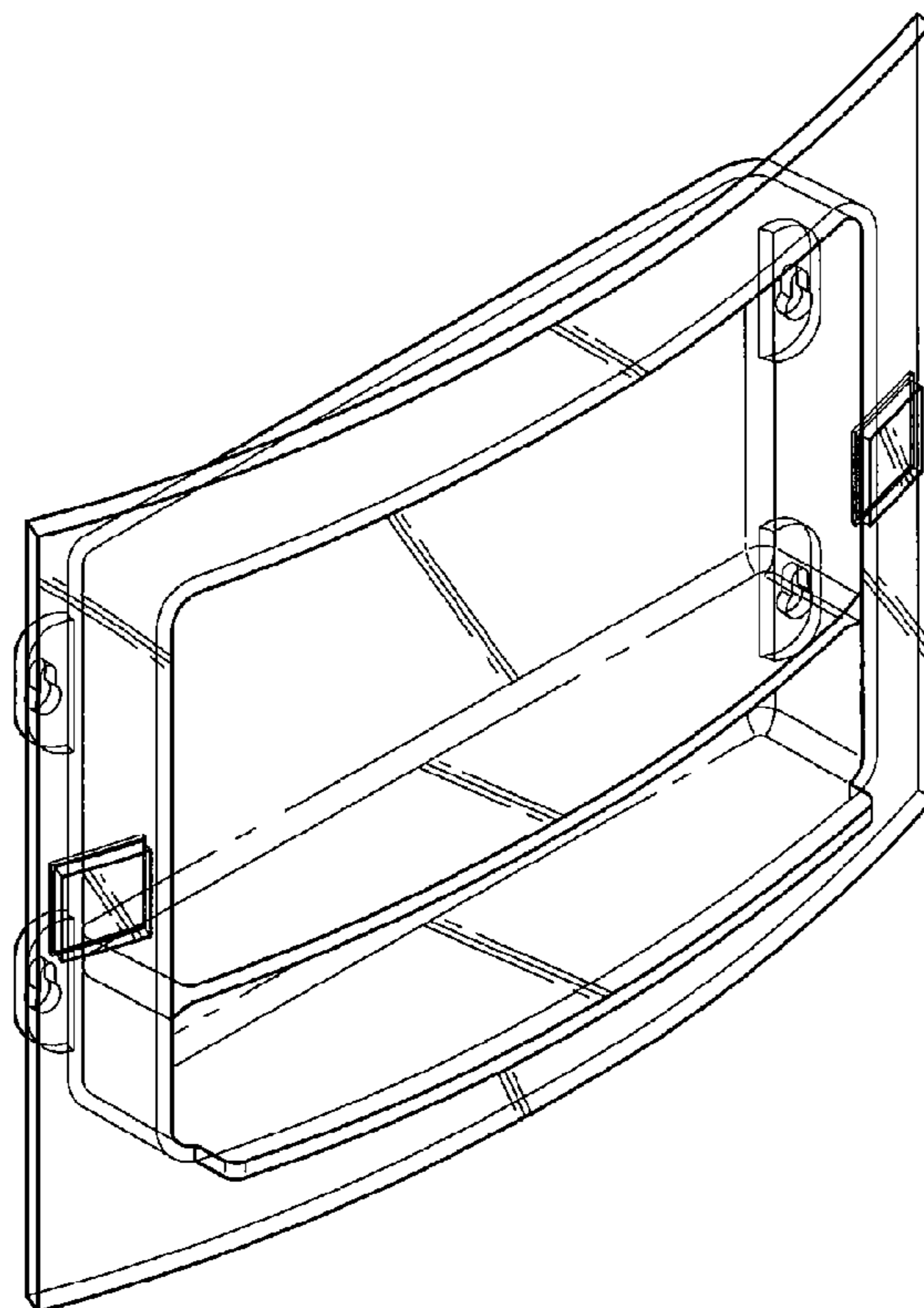
FIG. 4 is a right side view thereof;

FIG. 5 is a left side view thereof;

FIG. 6 is a back view thereof; and,

FIG. 7 is a bottom view thereof.

1 Claim, 3 Drawing Sheets



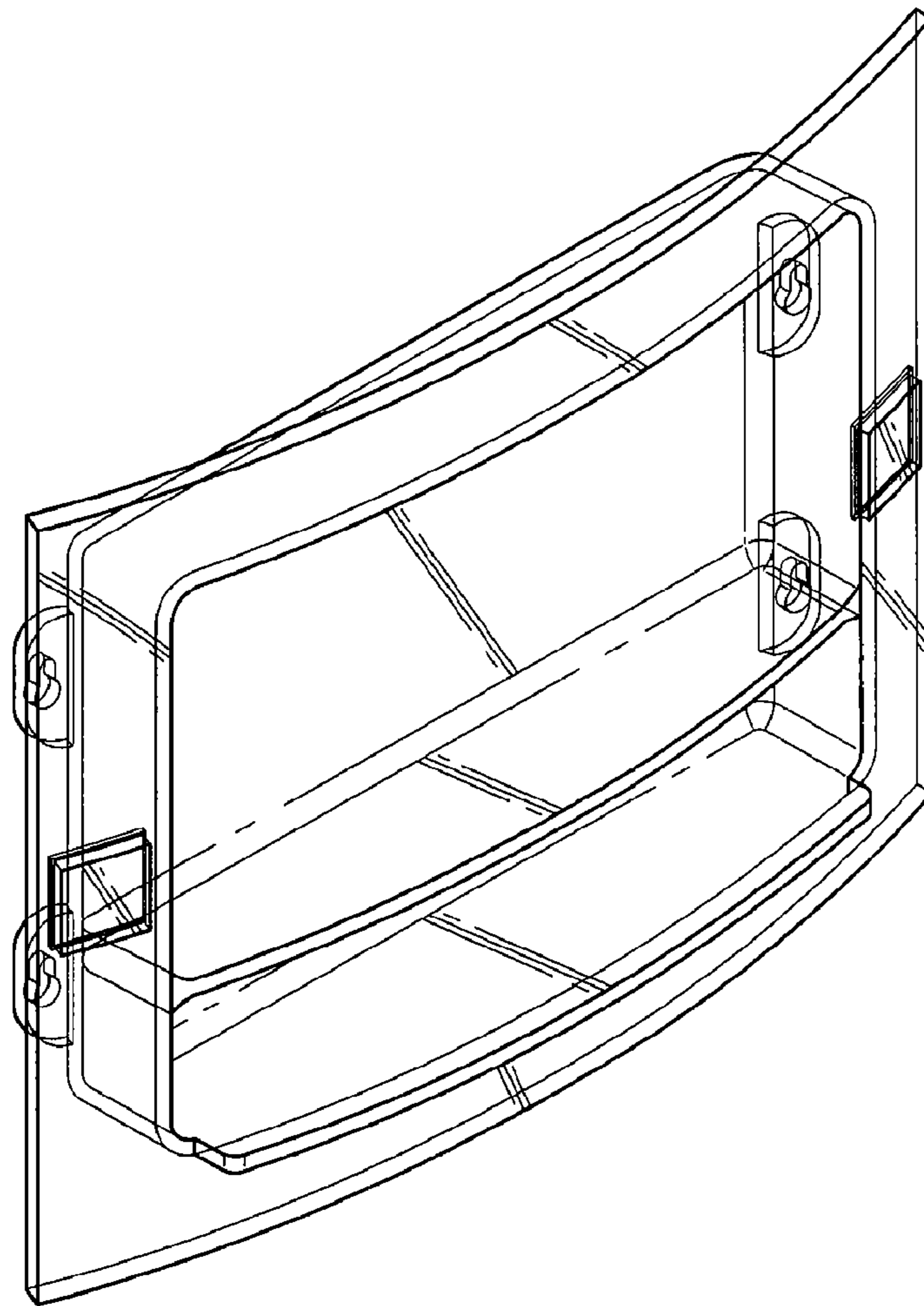


FIG. 1

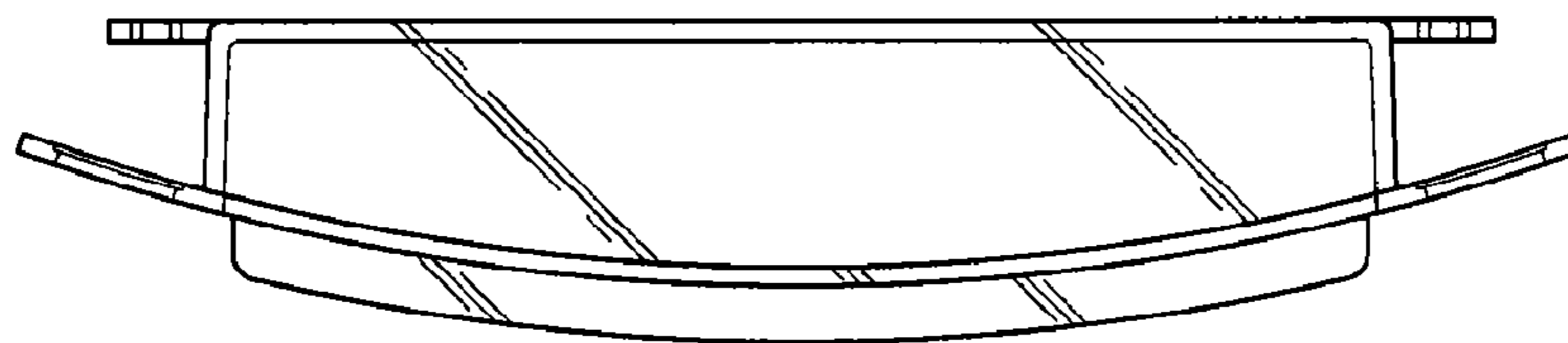


FIG. 2

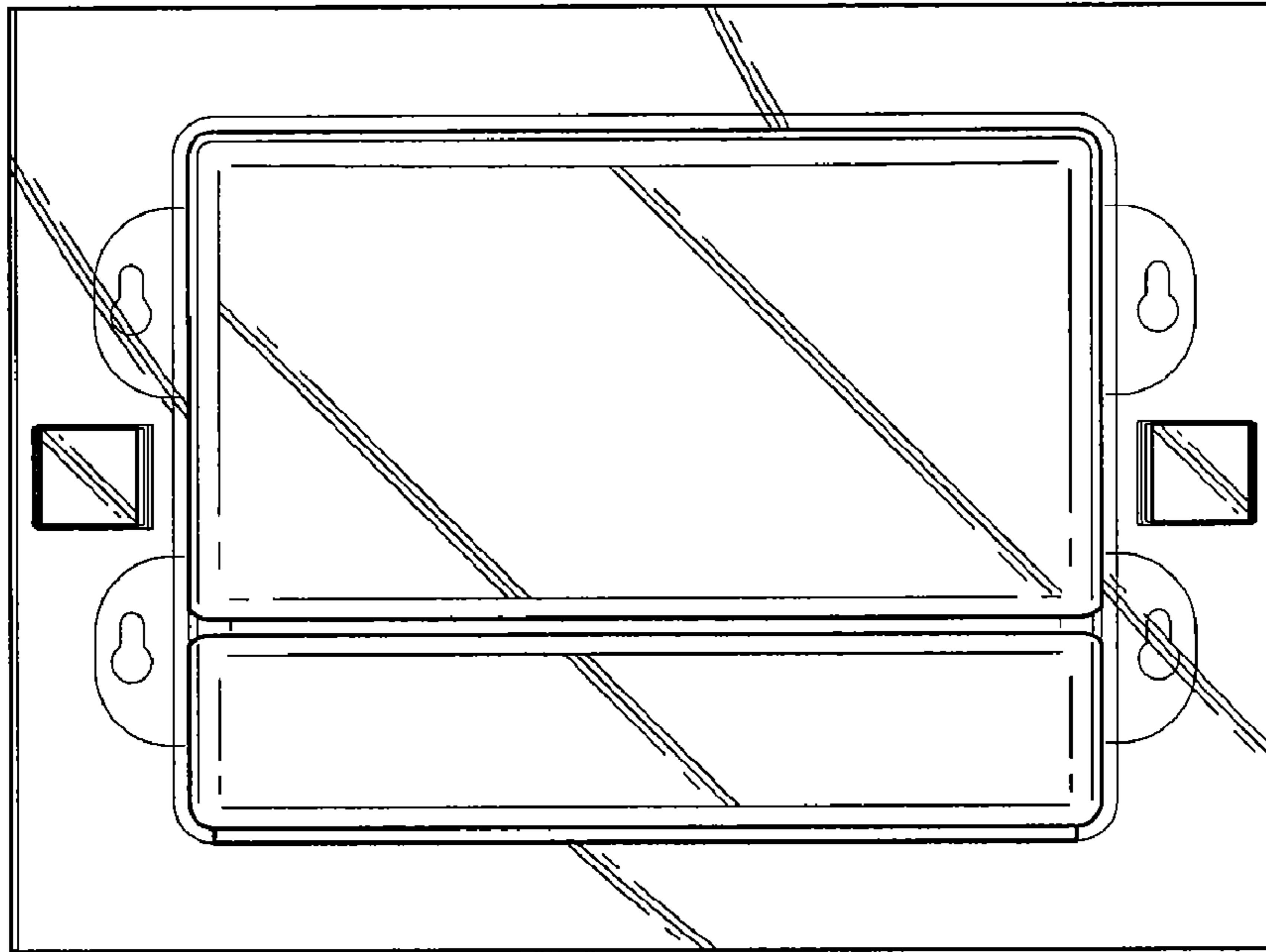


FIG. 3

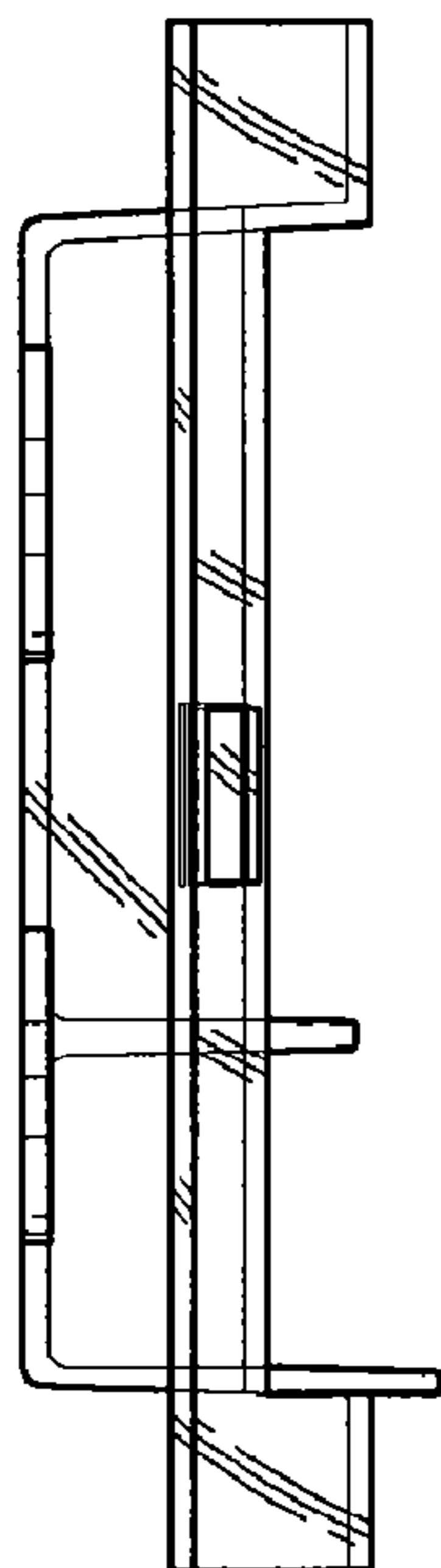


FIG. 4

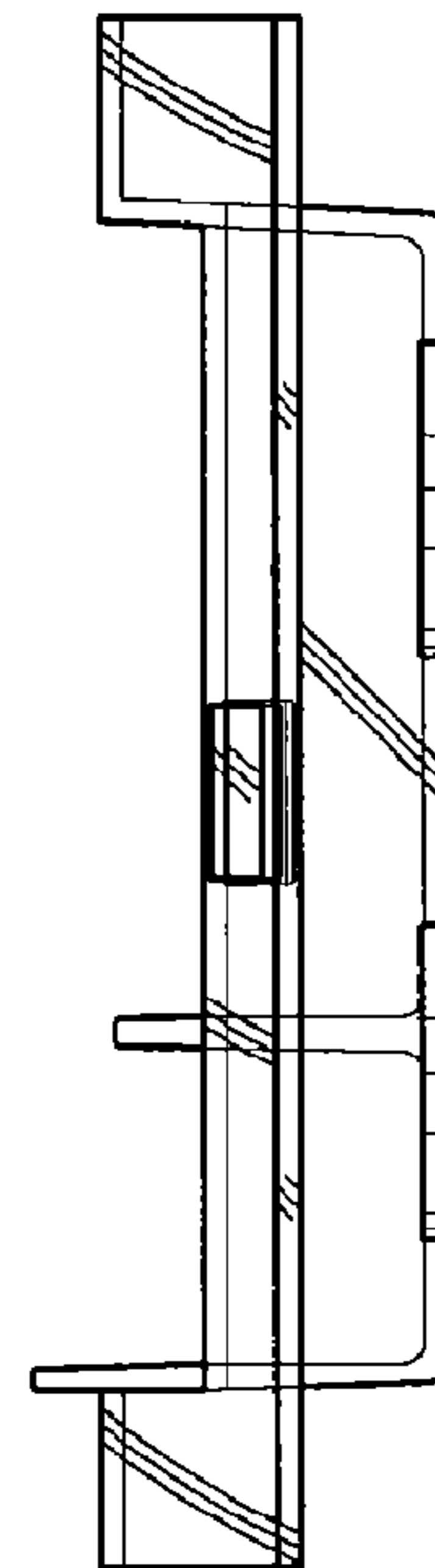


FIG. 5

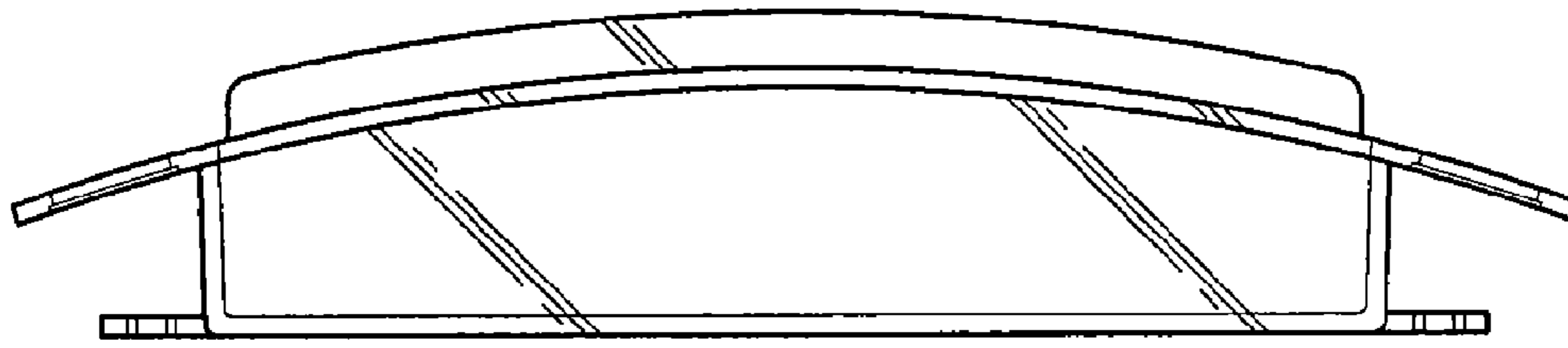


FIG. 6

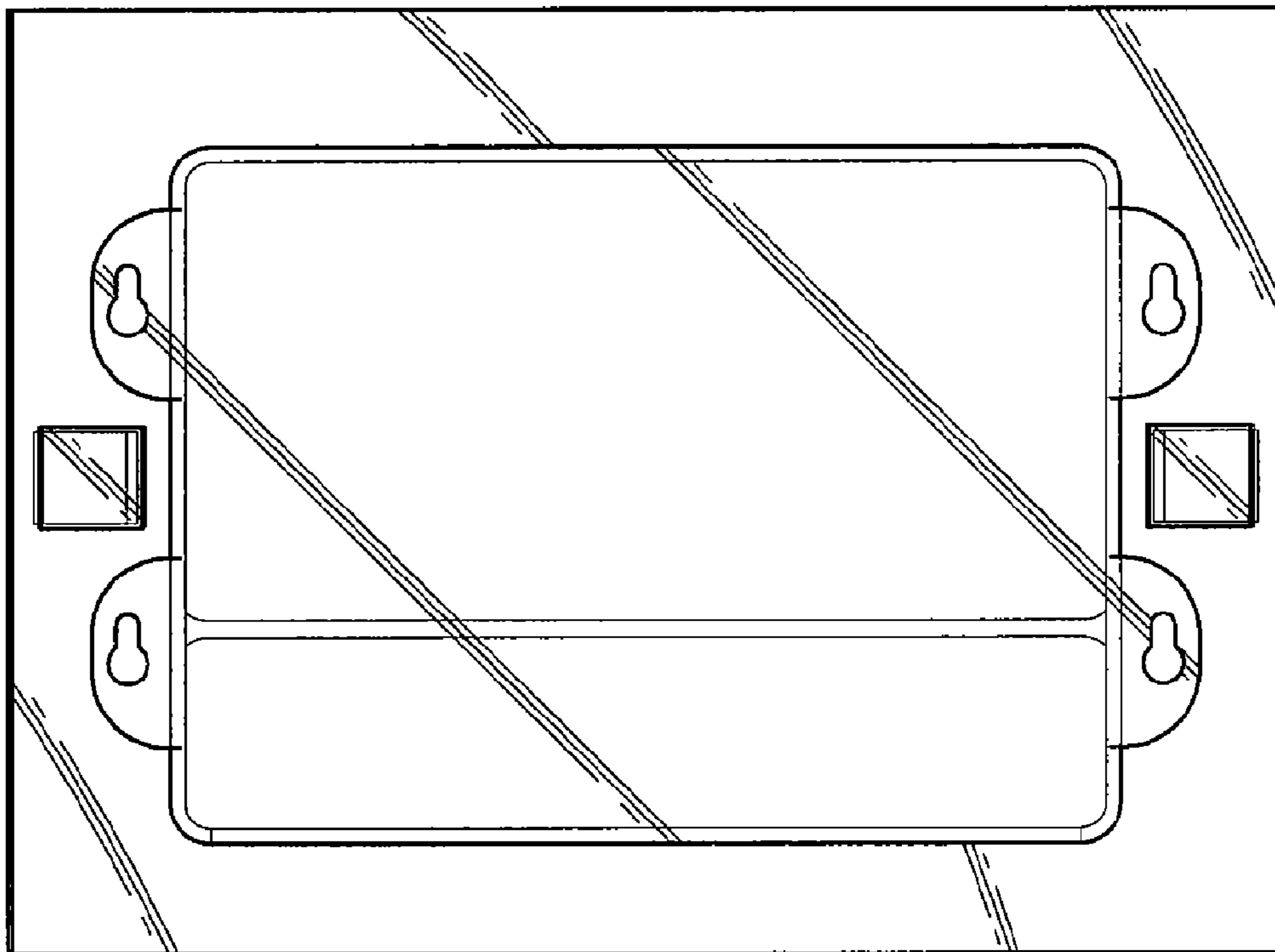


FIG. 7