



US00D620294S

(12) **United States Design Patent**
Ma et al.

(10) **Patent No.:** **US D620,294 S**
(45) **Date of Patent:** **** Jul. 27, 2010**

(54) **RACK/MODULE ASSEMBLY FOR FIRST AID SUPPLIES**

(75) Inventors: **Man For Ma**, New Territories (CN);
Daniel Peter Sterling, Norwalk, CT (US);
Lee Webb, Fairfield, CT (US);
Jonathan A. Lee, Milford, CT (US)

(73) Assignee: **Acme United Corporation**, Fairfield, CT (US)

(**) Term: **14 Years**

(21) Appl. No.: **29/312,361**

(22) Filed: **Oct. 16, 2008**

(51) **LOC (9) Cl.** **06-04**

(52) **U.S. Cl.** **D6/567**

(58) **Field of Classification Search** D6/553,
D6/567, 574, 512, 524, 571; 211/13.1, 60.1,
211/60.9, 69.1, 69.5, 70.1, 70.6, 71.01; 248/309.1,
248/309.2, 310, 314

See application file for complete search history.

(56) **References Cited**

U.S. PATENT DOCUMENTS

D243,298 S * 2/1977 Taubman D6/571

D364,525 S * 11/1995 Petska D6/567
D494,797 S * 8/2004 Ramnauth et al. D6/553
D530,128 S * 10/2006 Doran D6/571
D552,796 S * 10/2007 Petruccelli D6/567
D598,227 S * 8/2009 Oakes D6/553

* cited by examiner

Primary Examiner—Brian N Vinson

(74) *Attorney, Agent, or Firm*—Alix, Yale & Ristas, LLP

(57) **CLAIM**

The ornamental design for a rack/module assembly for first aid supplies, as shown and described.

DESCRIPTION

FIG. 1 is a perspective view of a rack/module assembly for first aid supplies showing our new design;

FIG. 2 is a front view thereof;

FIG. 3 is a rear view thereof;

FIG. 4 is an enlarged left side view thereof;

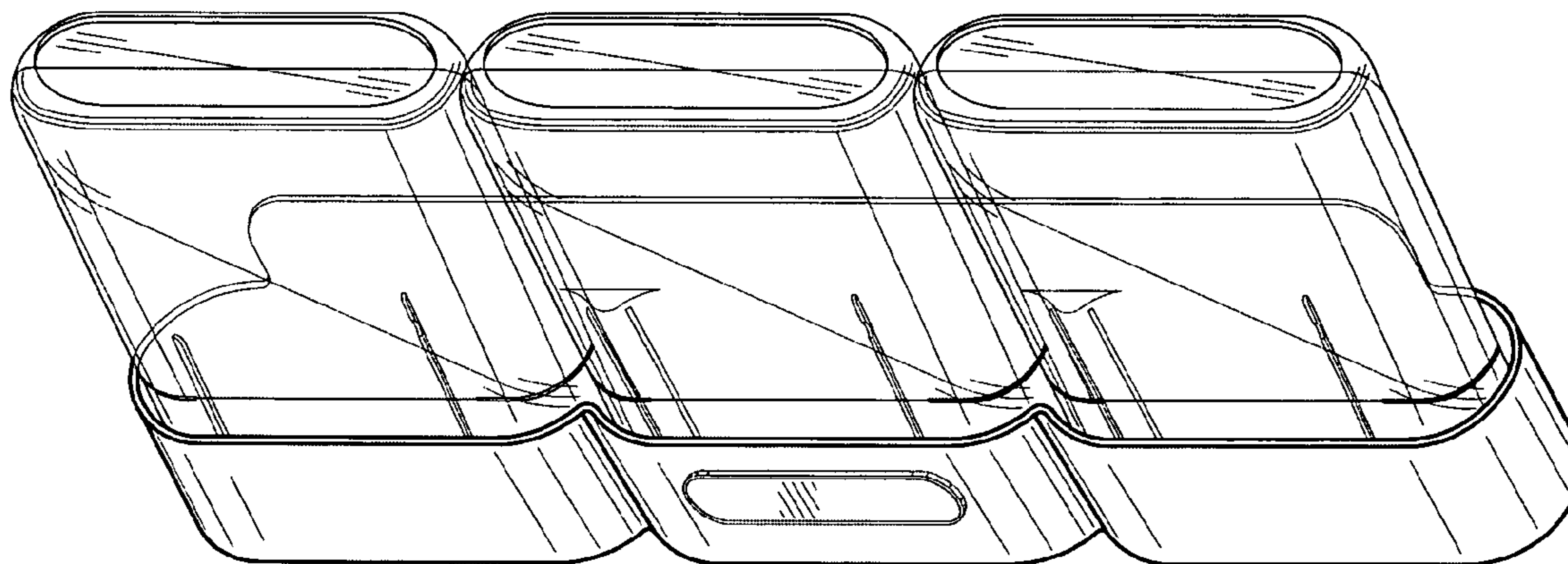
FIG. 5 is an enlarged right side view thereof;

FIG. 6 is a top plan view thereof; and,

FIG. 7 is a bottom plan view thereof.

The container modules are transparent or semi-transparent.

1 Claim, 5 Drawing Sheets



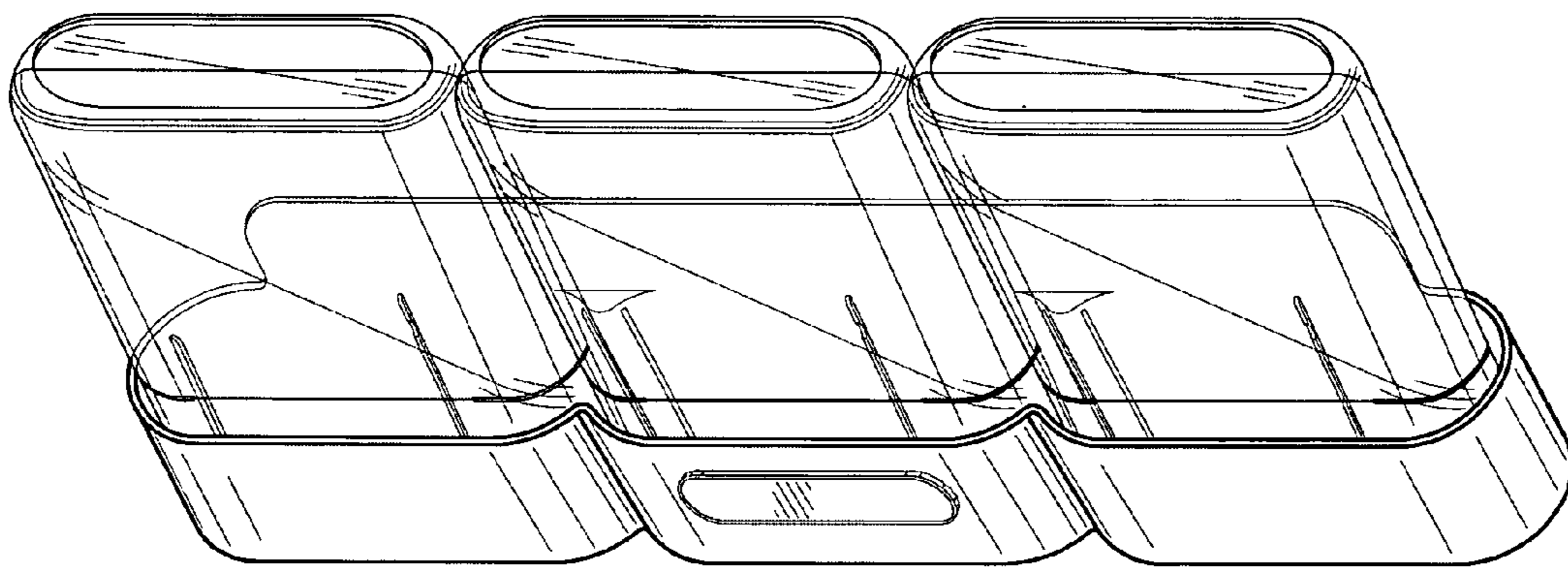


FIG. 1

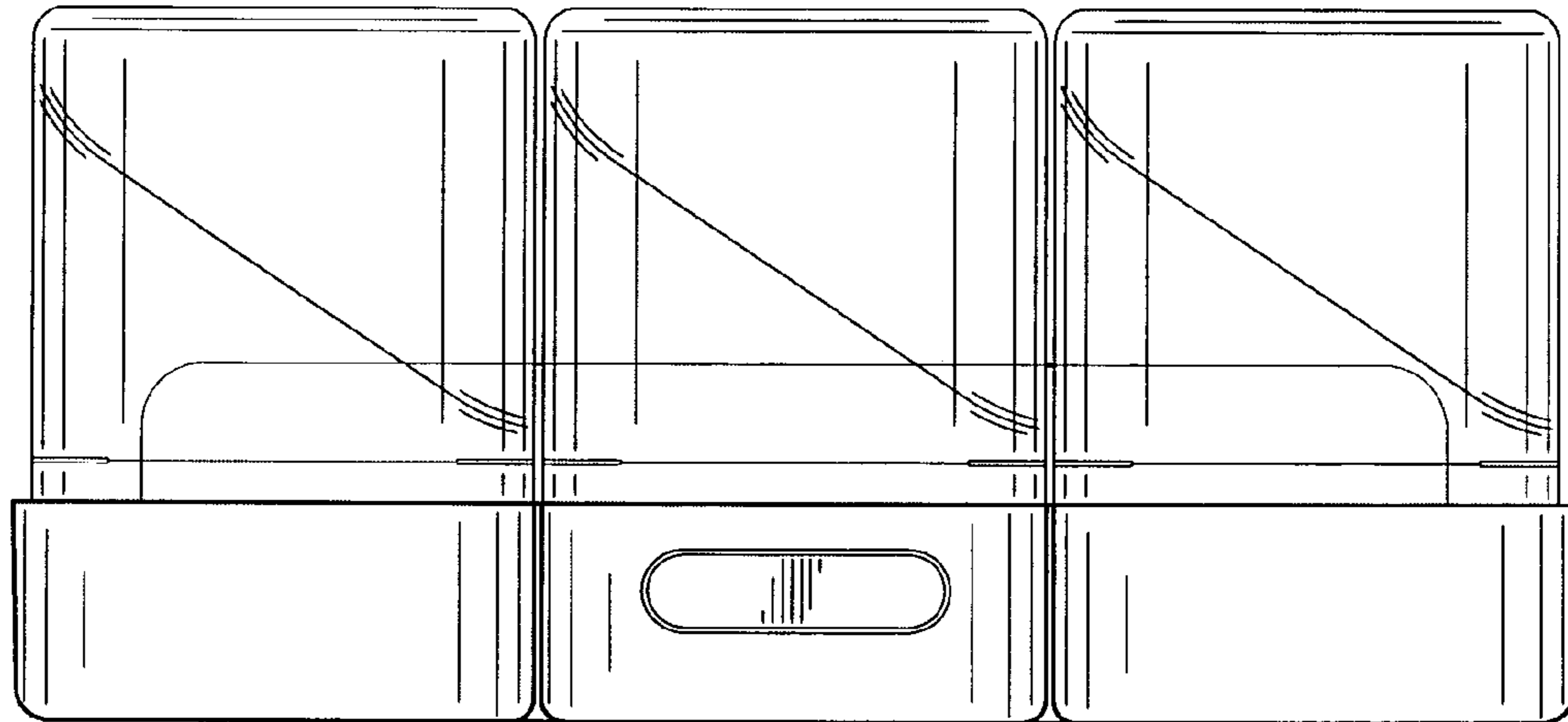


FIG. 2

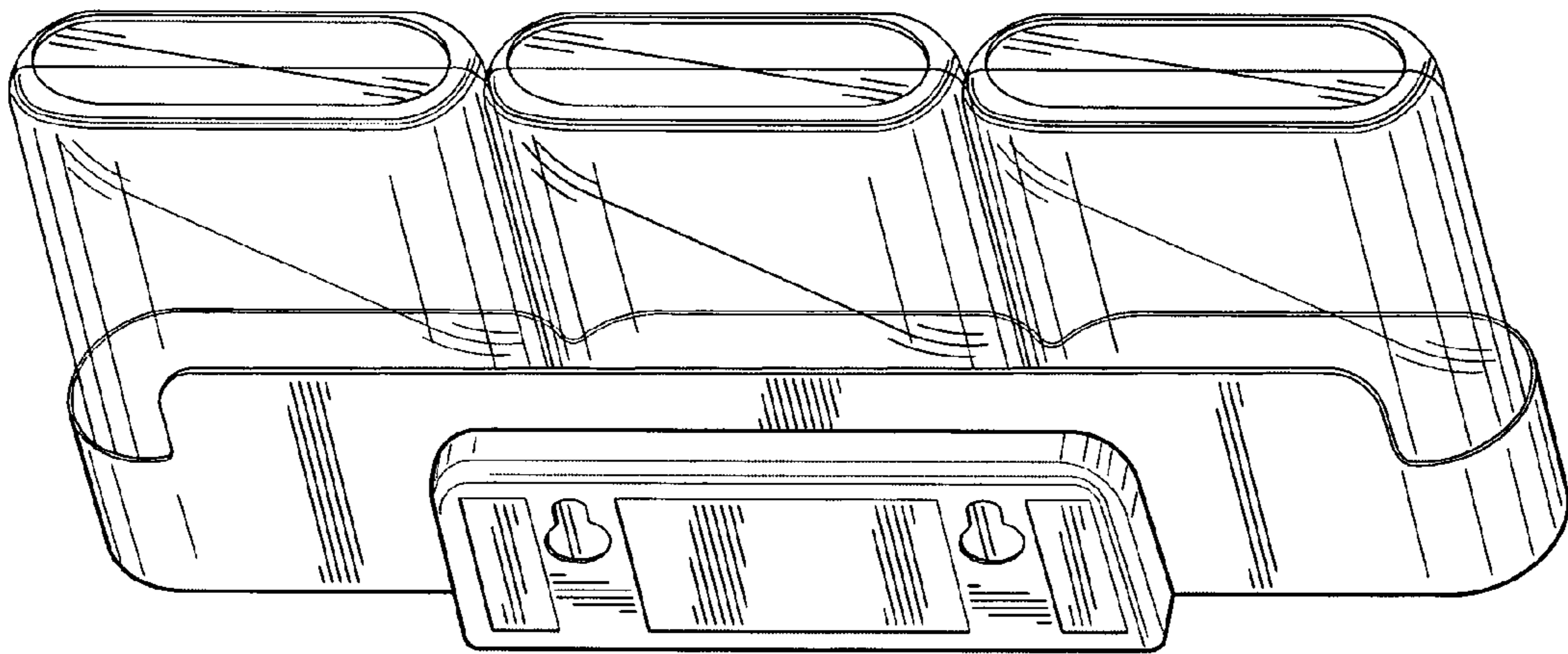


FIG. 3

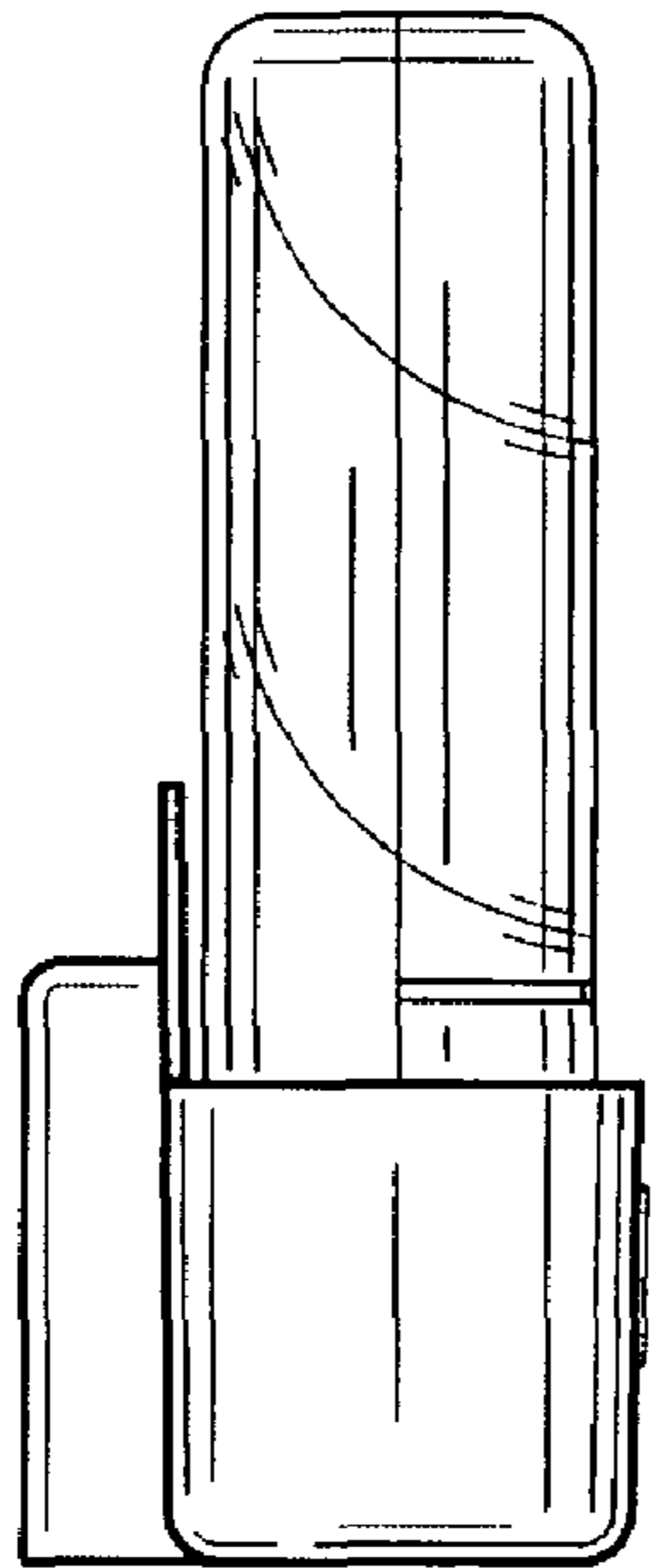


FIG. 4

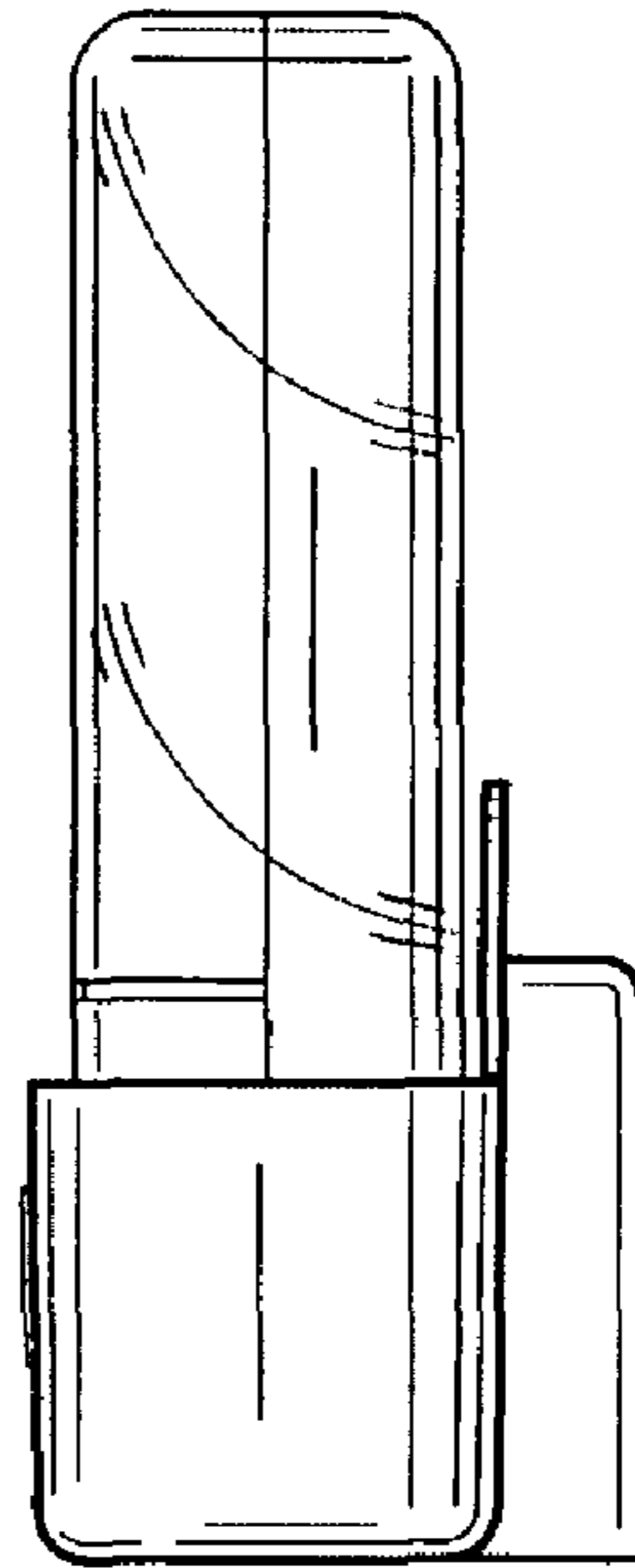


FIG. 5

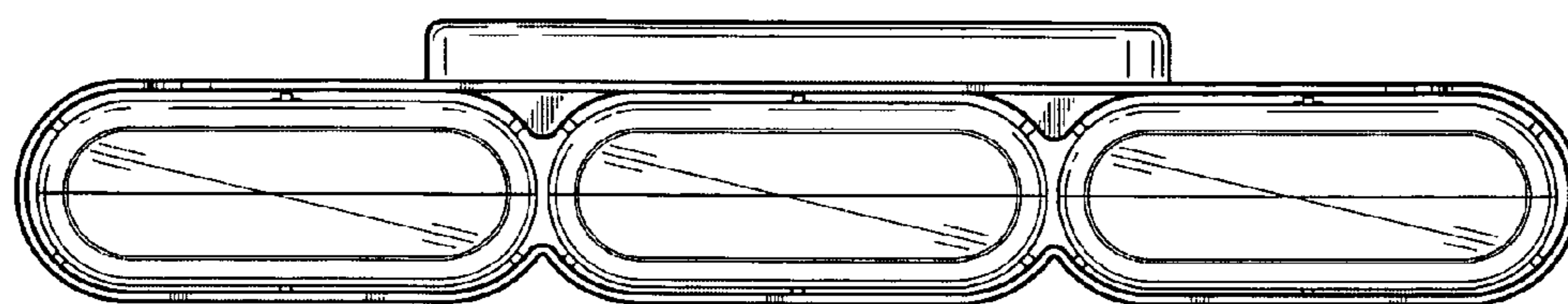


FIG. 6

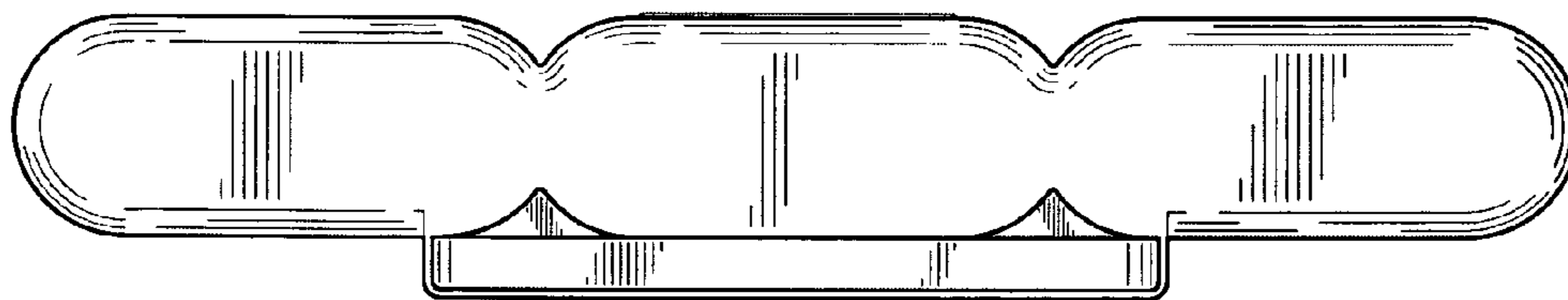


FIG. 7