



US00D620291S

(12) **United States Design Patent**  
**Smith et al.**

(10) **Patent No.:** **US D620,291 S**  
(45) **Date of Patent:** **\*\* Jul. 27, 2010**

(54) **AMENITY TRAY**

(75) Inventors: **Scott A. Smith**, Mason, OH (US);  
**Patrick J. Bertke**, Dayton, OH (US);  
**Michael D. McClurg, Jr.**, Minster, OH (US)

(73) Assignee: **Six Continents Hotels, Inc.**, Atlanta, GA (US)

(\*\*) Term: **14 Years**

(21) Appl. No.: **29/355,112**

(22) Filed: **Feb. 2, 2010**

**Related U.S. Application Data**

(62) Division of application No. 29/334,888, filed on Apr. 3, 2009, now Pat. No. Des. 611,745.

(51) **LOC (9) Cl.** ..... **23-02**

(52) **U.S. Cl.** ..... **D6/525**

(58) **Field of Classification Search** ..... D6/524,  
D6/525; D7/500, 505, 555, 601, 701, 637;  
D11/131, 143, 146, 152; D28/73; 47/41.1,  
47/65.5, 66.1, 66.6, 66.7, 69; 211/13.1, 69.1,  
211/62, 70.6, 70.7

See application file for complete search history.

(56) **References Cited**

**U.S. PATENT DOCUMENTS**

D383,344 S \* 9/1997 Andrus ..... D6/525

D447,900 S \* 9/2001 Wright ..... D6/525  
D545,601 S \* 7/2007 Yang et al. .... D6/525  
D571,136 S \* 6/2008 Kramer ..... D6/525  
D598,688 S \* 8/2009 Yang et al. .... D6/525

\* cited by examiner

*Primary Examiner*—Brian N Vinson

(74) *Attorney, Agent, or Firm*—Cowan, Liebowitz & Latman, PC

(57) **CLAIM**

The ornamental design for an amenity tray, as shown and described.

**DESCRIPTION**

FIG. 1 is a perspective view of an amenity tray showing my design thereof;

FIG. 2 is a top view thereof;

FIG. 3 is a front view thereof;

FIG. 4 is a right side view thereof;

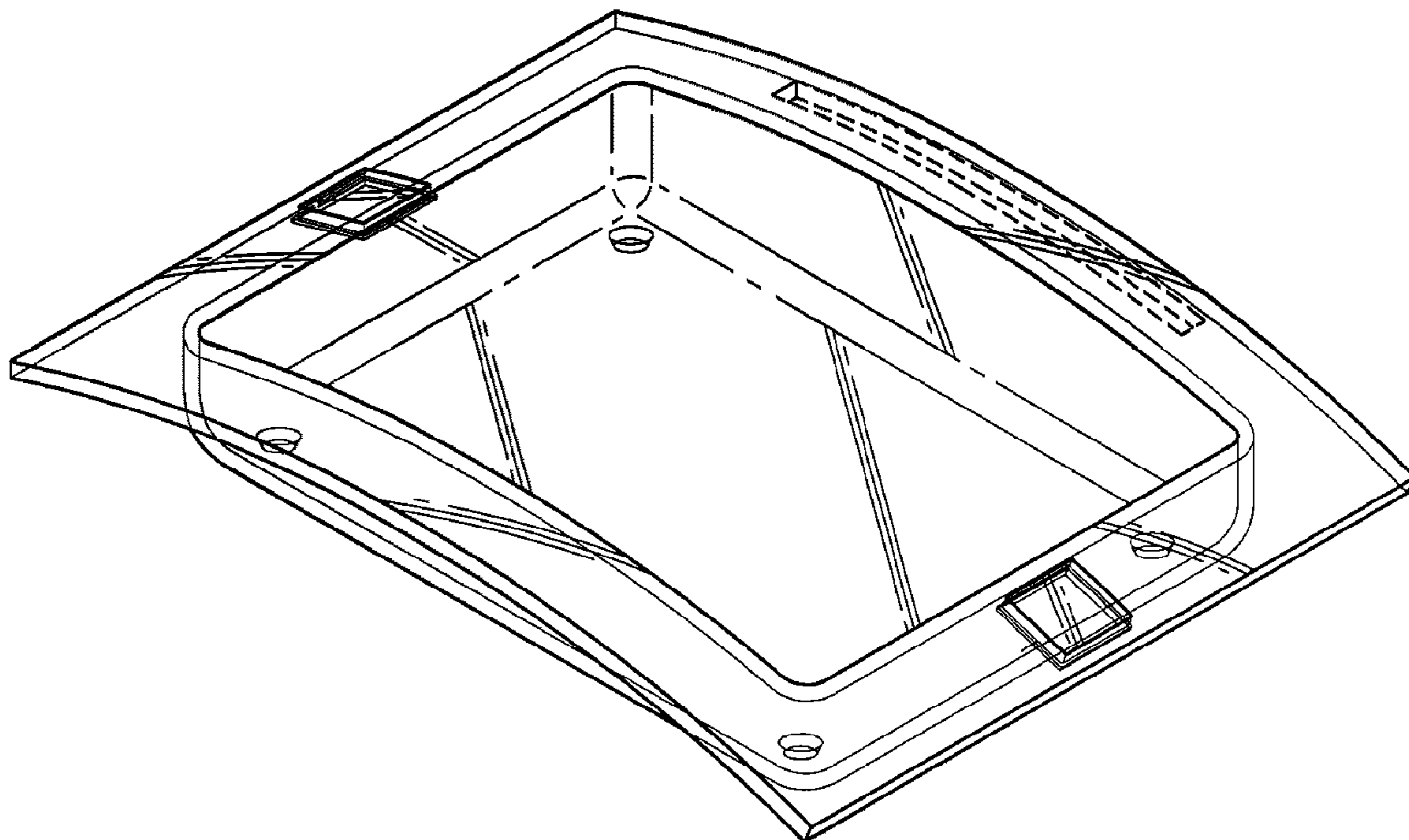
FIG. 5 is a left side view thereof;

FIG. 6 is a back view thereof; and,

FIG. 7 is a bottom view thereof.

In the drawings, the broken lines showing a rectangular opening in the top border of the amenity tray are for illustrative purposes and form no part of the claimed design.

**1 Claim, 3 Drawing Sheets**



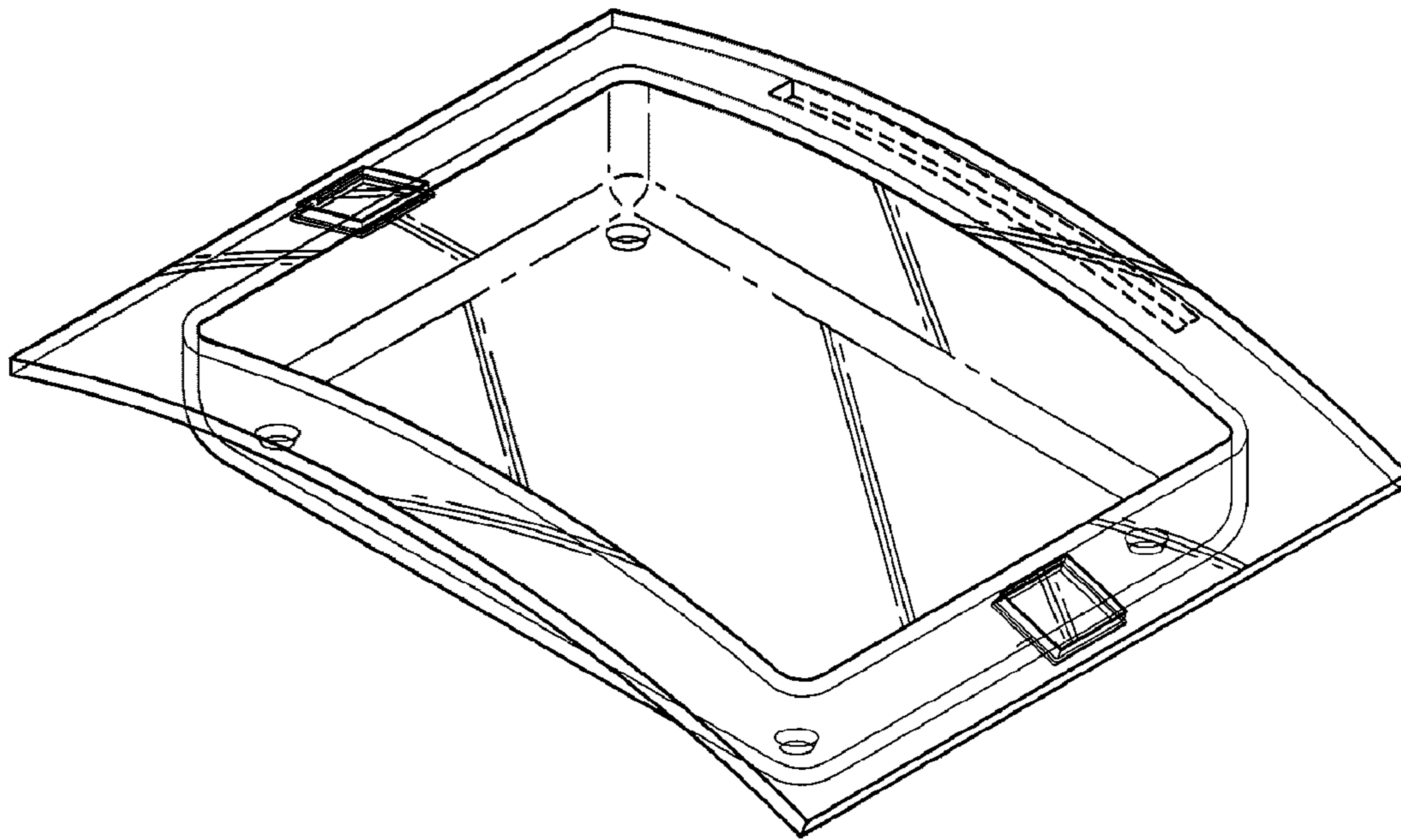


FIG. 1

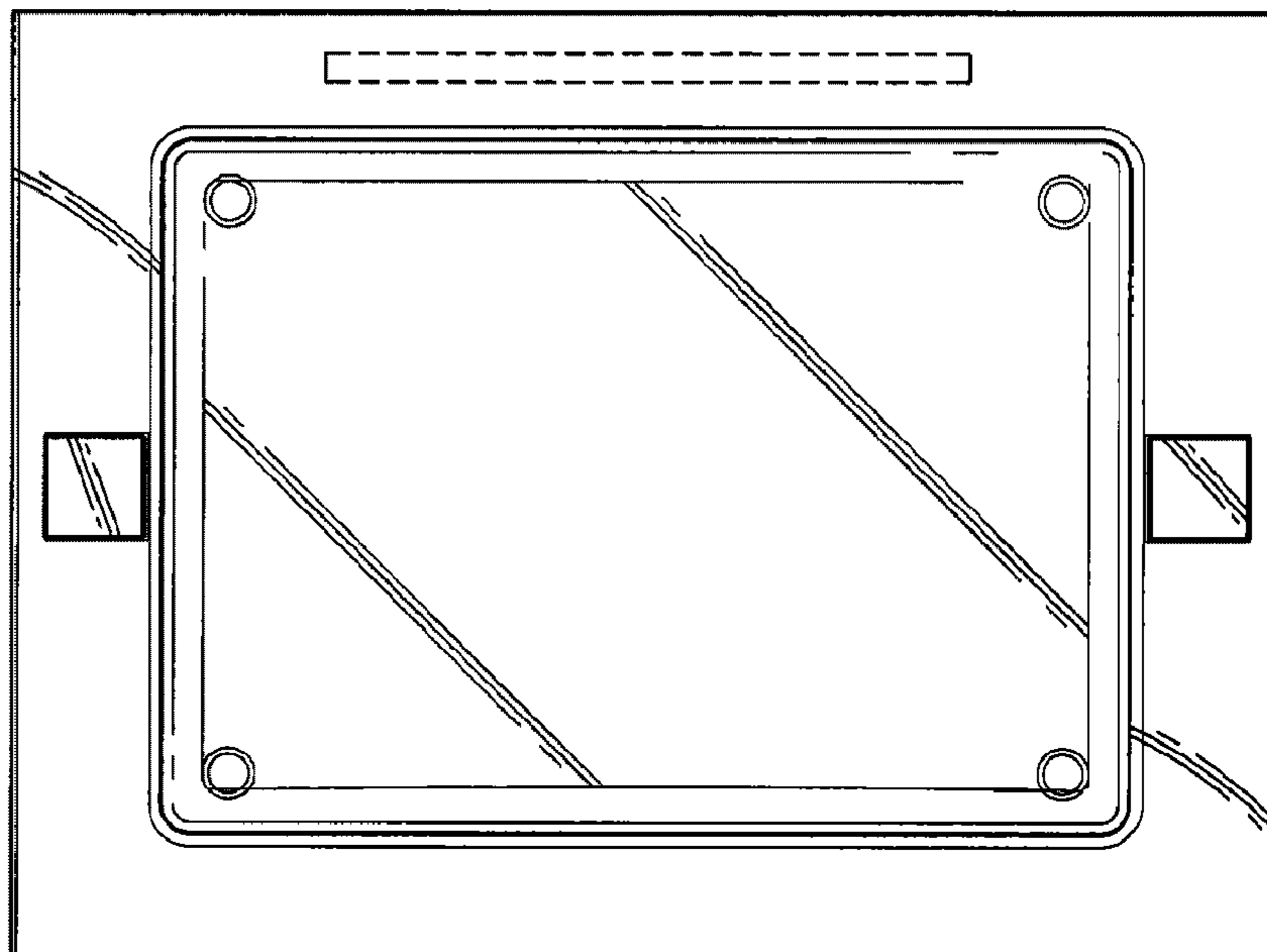


FIG. 2

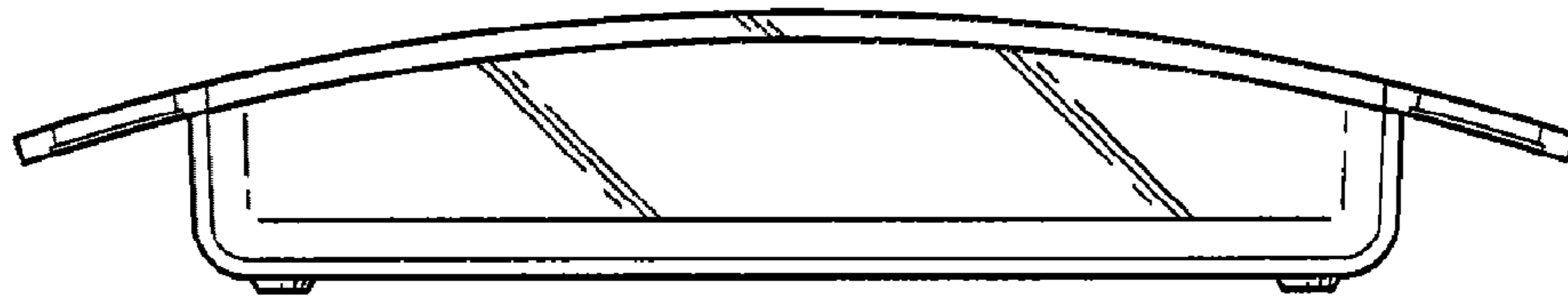


FIG. 3

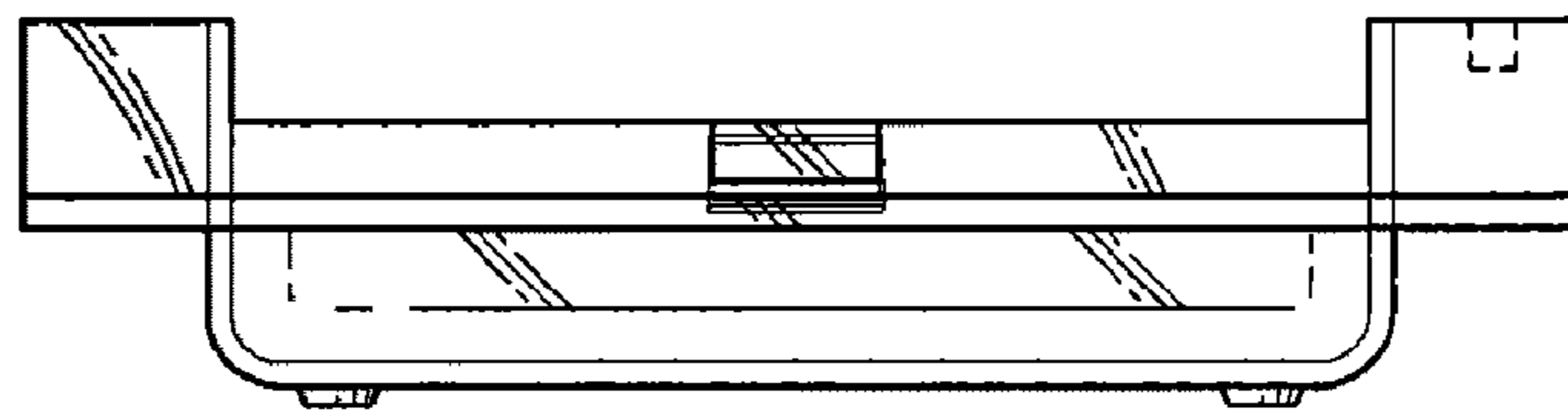


FIG. 4

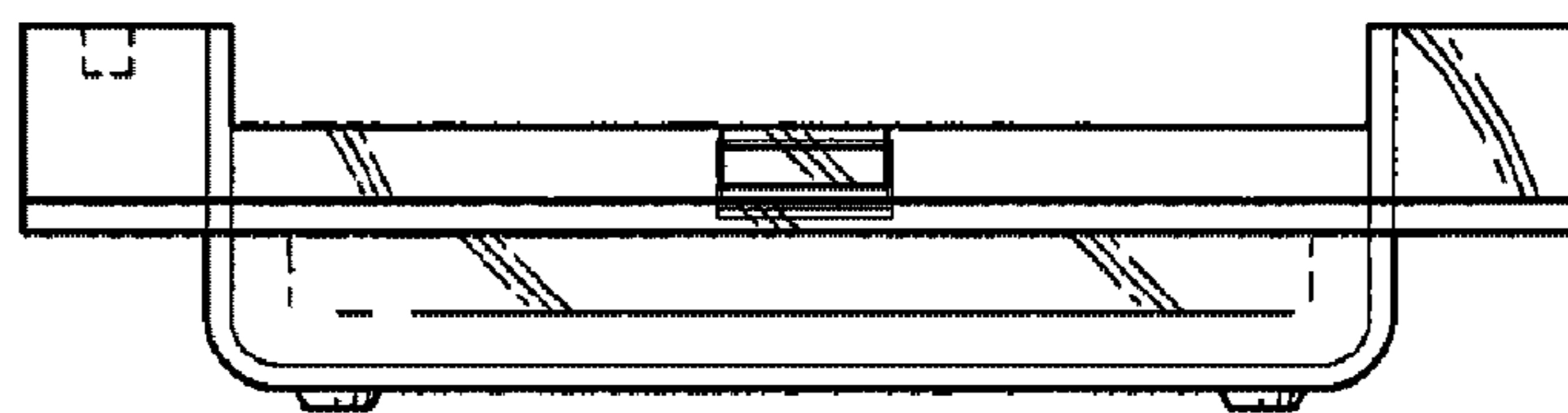


FIG. 5

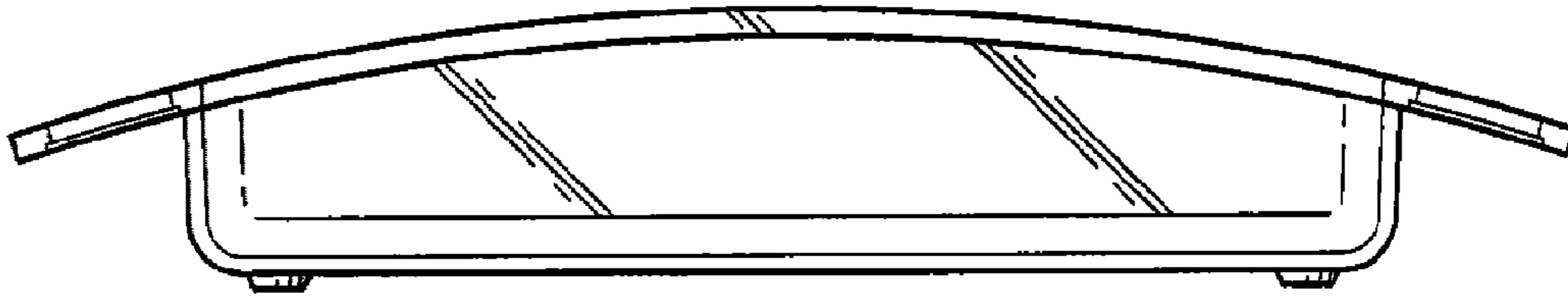


FIG. 6

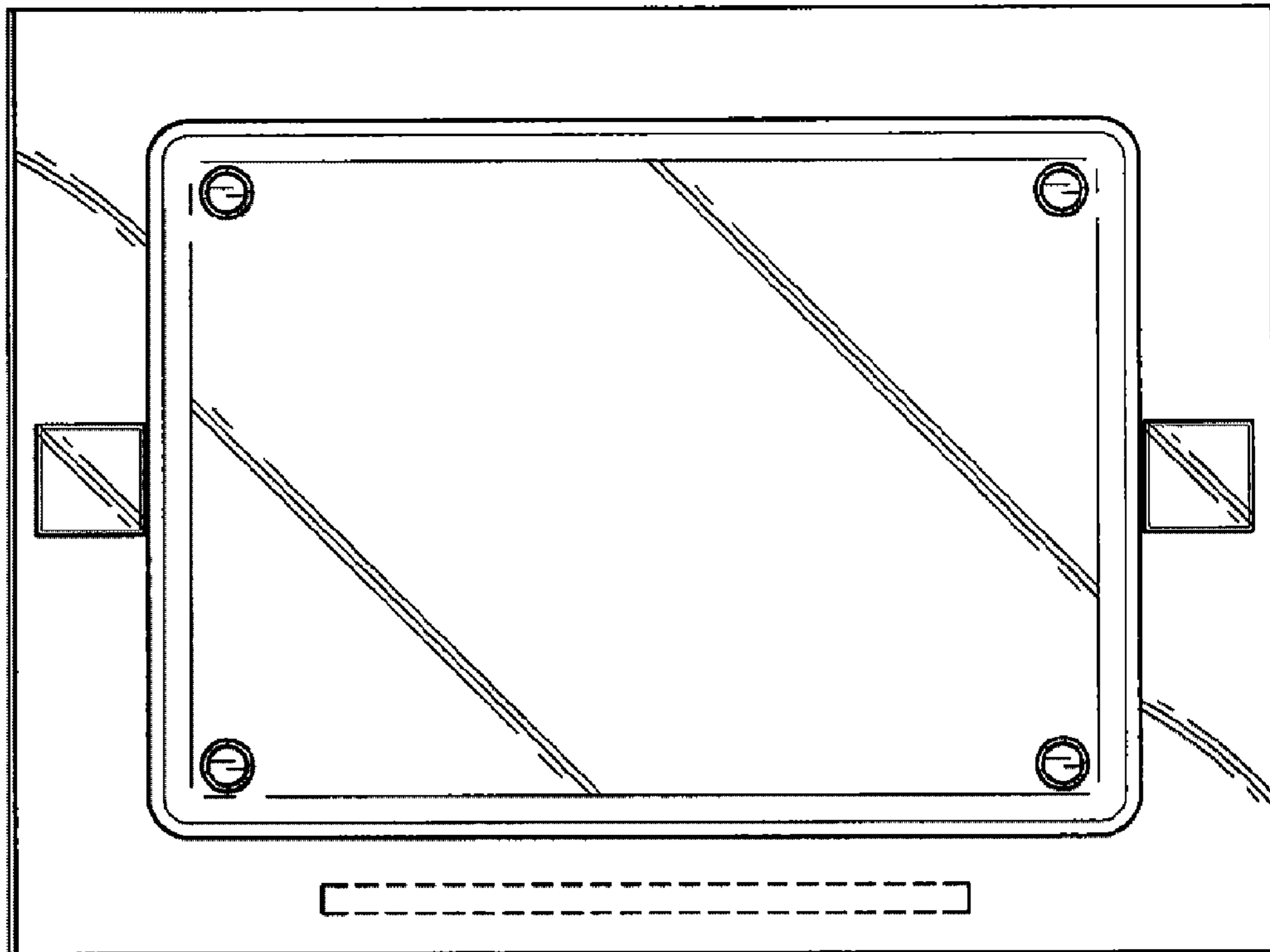


FIG. 7