



US00D620289S

(12) **United States Design Patent**
Gravel et al.

(10) **Patent No.:** **US D620,289 S**
(45) **Date of Patent:** **** Jul. 27, 2010**

(54) **FURNITURE UNIT**

(75) Inventors: **Donald P. Gravel**, Toronto (CA); **Jian Hong**, Toronto (CA); **John R. Hamilton**, San Rafael, CA (US); **Karl J. Mead**, East Grand Rapids, MI (US); **Karl Heinz Müller**, Rosenheim (DE); **Andre K. Dettler**, Brooklyn, NY (US)

(73) Assignee: **Steelcase Inc.**, Grand Rapids, MI (US)

(**) Term: **14 Years**

(21) Appl. No.: **29/316,274**

(22) Filed: **Sep. 9, 2009**

Related U.S. Application Data

(62) Division of application No. 29/310,158, filed on Jul. 29, 2008, now Pat. No. Des. 600,483, which is a division of application No. 29/288,101, filed on May 30, 2007, now Pat. No. Des. 578,817.

(51) **LOC (9) Cl.** **06-04**

(52) **U.S. Cl.** **D6/510**

(58) **Field of Classification Search** D6/524,
D6/525, 553, 567, 574, 509, 510; 108/28,
108/29, 101; 211/13.1, 42, 71.01, 81.01,
211/88.01, 88.03, 90.01, 126.1, 133.5, 133.6,
211/134, 182

See application file for complete search history.

(56) **References Cited**

U.S. PATENT DOCUMENTS

2,477,735 A	8/1949	Gentile
2,678,793 A	5/1954	Brochstein
2,998,107 A	8/1961	Zimmerla
3,290,846 A	12/1966	Mader et al.
3,394,507 A	7/1968	Doke
3,407,547 A	10/1968	Doke et al.
3,561,714 A	2/1971	Zurawski et al.
3,563,626 A	2/1971	Ferdinand et al.
3,603,274 A	9/1971	Ferdinand et al.
3,648,419 A	3/1972	Marks

3,714,748 A	2/1973	Costruba
3,848,364 A	11/1974	Costruba
3,925,939 A	12/1975	Costruba
4,010,697 A	3/1977	Einhorn
4,018,167 A	4/1977	Spangler
4,037,896 A	7/1977	Kennedy, Jr. et al.
4,198,913 A	4/1980	Haworth et al.
4,205,815 A	6/1980	Sauer et al.
4,269,005 A	5/1981	Timmons
4,334,483 A	6/1982	Kellogg
4,588,156 A	5/1986	Doke et al.

(Continued)

Primary Examiner—Brian N Vinson

(74) *Attorney, Agent, or Firm*—Price, Heneveld, Cooper, DeWitt & Litton, LLP

(57) **CLAIM**

The ornamental design for a furniture unit, as shown and described.

DESCRIPTION

FIG. 1 is a perspective view of a furniture unit, showing our new design, with portions thereof broken away;

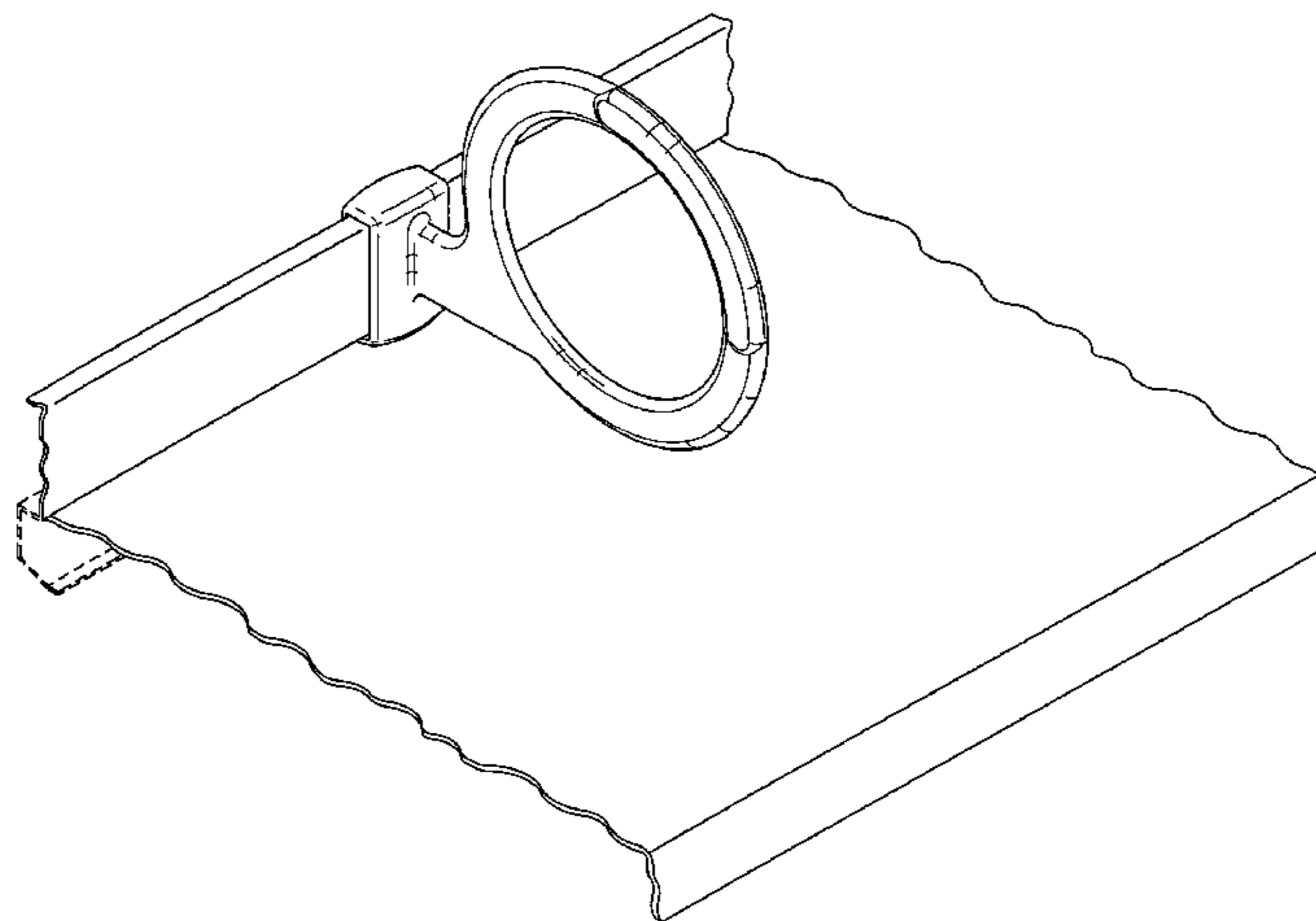
FIG. 2 is a side elevational view of the furniture unit, with portions thereof broken away;

FIG. 3 is a front elevational view of the furniture unit, with portions thereof broken away; and,

FIG. 4 is a top plan view of the furniture unit, with portions thereof broken away.

The broken-line disclosure in the views is understood to represent portions of the article in which the claimed design is embodied, but which forms no part of the claimed design.

1 Claim, 2 Drawing Sheets



US D620,289 S

Page 2

U.S. PATENT DOCUMENTS

4,716,699	A	1/1988	Crossman et al.	6,315,135	B1	11/2001	Stuart
4,720,069	A	1/1988	Bessinger	6,446,396	B1	9/2002	Marangoni et al.
4,731,960	A	3/1988	Sease	6,487,978	B1	12/2002	Hamberg
4,914,873	A	4/1990	Newhouse	6,581,788	B1	6/2003	Winig et al.
5,154,388	A	10/1992	Magaro	6,672,226	B2	1/2004	Bohnacker
5,297,486	A	3/1994	Herrmann et al.	6,702,128	B2	3/2004	Winig et al.
5,406,894	A	4/1995	Herrmann et al.	6,711,871	B2	3/2004	Beirise et al.
5,613,449	A	3/1997	Pullman	6,918,496	B1	7/2005	Henson, III
5,931,429	A	8/1999	Hellwig et al.	D509,393	S	9/2005	Winig et al.
6,019,331	A	2/2000	Hoogland et al.	D520,795	S	5/2006	Kivett
6,138,583	A	* 10/2000	Mahone et al. 108/108	D546,103	S	7/2007	Eyman et al.
D436,781	S	* 1/2001	Karsten et al. D6/567	D549,026	S	8/2007	Parshad
D436,782	S	* 1/2001	Rapp D6/574	D553,891	S	10/2007	Forney
D437,716	S	2/2001	Chau et al.	D557,955	S	12/2007	Parshad
6,202,966	B1	3/2001	MacDonald et al.	D557,963	S	12/2007	Hoernig

* cited by examiner

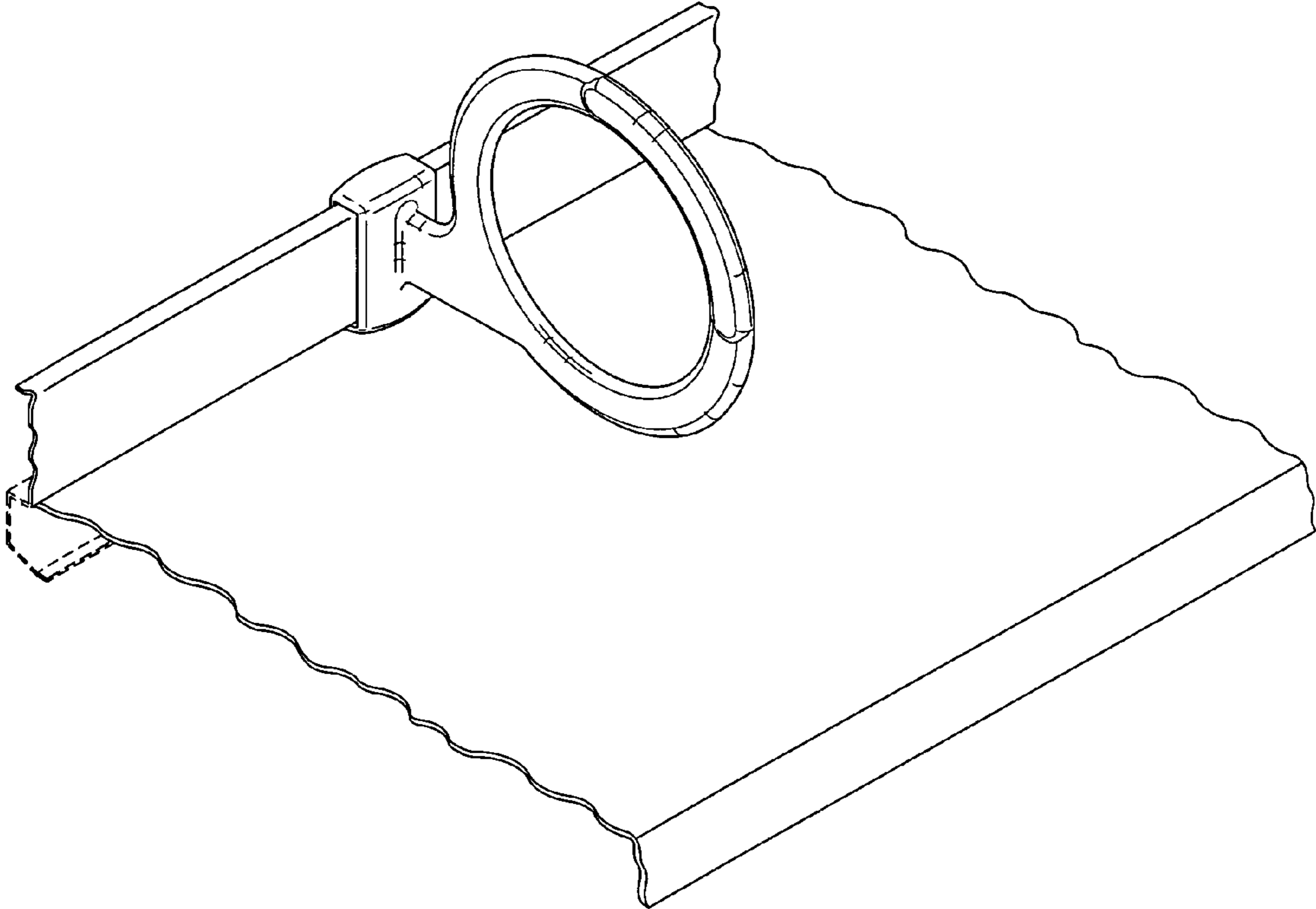


FIG. 1

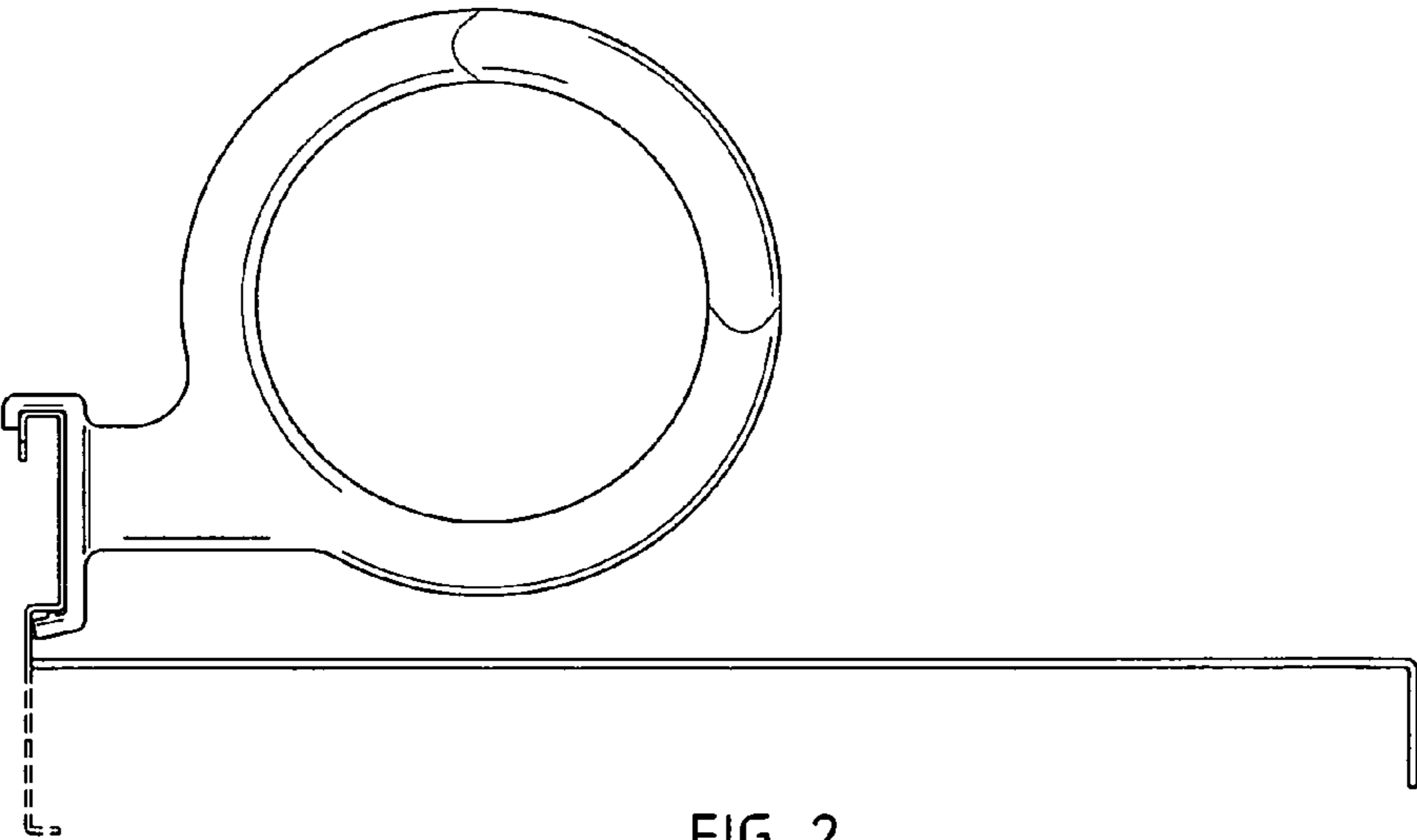


FIG. 2

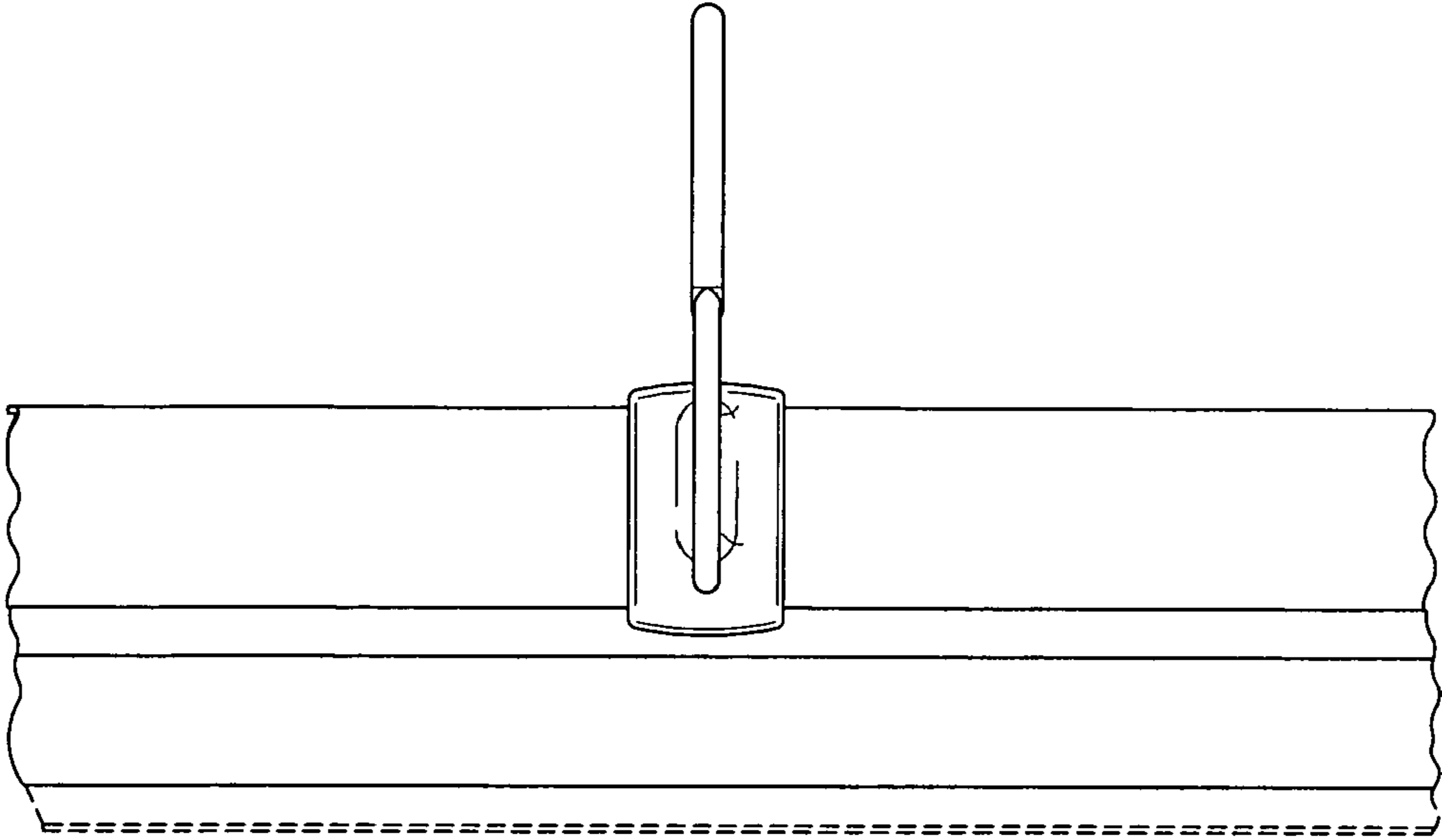


FIG. 3

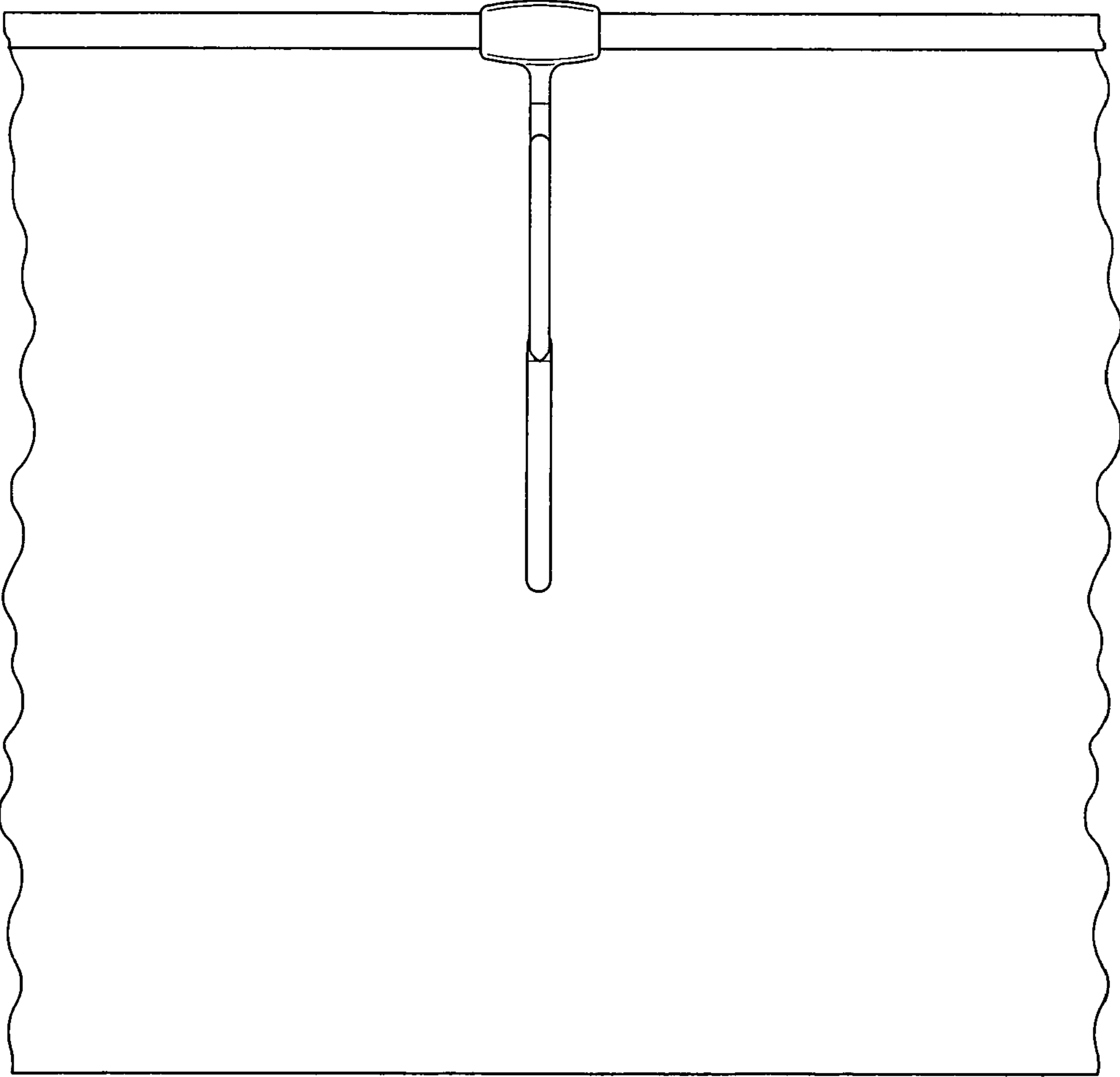


FIG. 4