



US00D620287S

(12) **United States Design Patent**  
**Haudressy**

(10) **Patent No.:** **US D620,287 S**  
(45) **Date of Patent:** **\*\* Jul. 27, 2010**

(54) **CONSOLE TABLE**

(75) Inventor: **Pascal Valery Haudressy**, Paris (FR)

(73) Assignee: **RPVH**, Paris (FR)

(\*\*) Term: **14 Years**

(21) Appl. No.: **29/326,642**

(22) Filed: **Oct. 22, 2008**

(30) **Foreign Application Priority Data**

Apr. 23, 2008 (EM) ..... 000923081

(51) **LOC (9) Cl.** ..... **06-03**

(52) **U.S. Cl.** ..... **D6/483**

(58) **Field of Classification Search** ..... D6/480-489,  
D6/429-431, 495-499, 511; 108/150, 152,  
108/153.1, 157.1, 161; 248/188, 188.1, 188.7,  
248/188.8

See application file for complete search history.

(56) **References Cited**

**U.S. PATENT DOCUMENTS**

D289,953 S \* 5/1987 Berry, Jr. .... D6/482

D290,071 S \* 6/1987 DeVito ..... D6/482

D299,601 S \* 1/1989 Campbell ..... D6/487

D333,673 S \* 3/1993 Riggs et al. .... D18/12  
D442,396 S \* 5/2001 Criado Mellado ..... D6/481  
D547,975 S \* 8/2007 Ligthart ..... D6/482  
D572,504 S \* 7/2008 Machin ..... D6/482

\* cited by examiner

*Primary Examiner*—Janice E Seeger

(74) *Attorney, Agent, or Firm*—WRB-IP LLP

(57) **CLAIM**

The ornamental design for a console table, as shown and described.

**DESCRIPTION**

FIG. 1 is a right side view of the console table showing my new design;

FIG. 2 is a left side view thereof;

FIG. 3 is a rear view thereof;

FIG. 4 is a bottom view thereof;

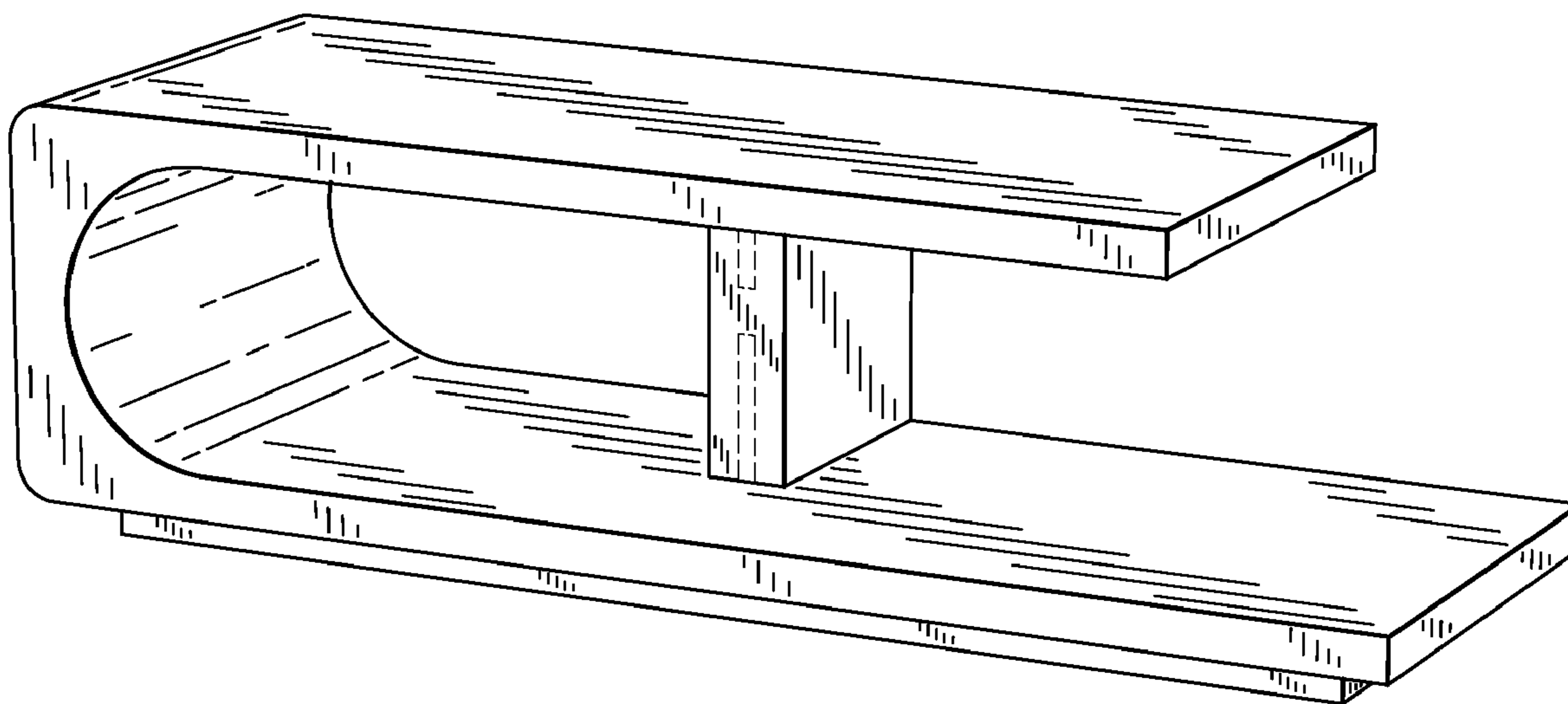
FIG. 5 is a top view thereof;

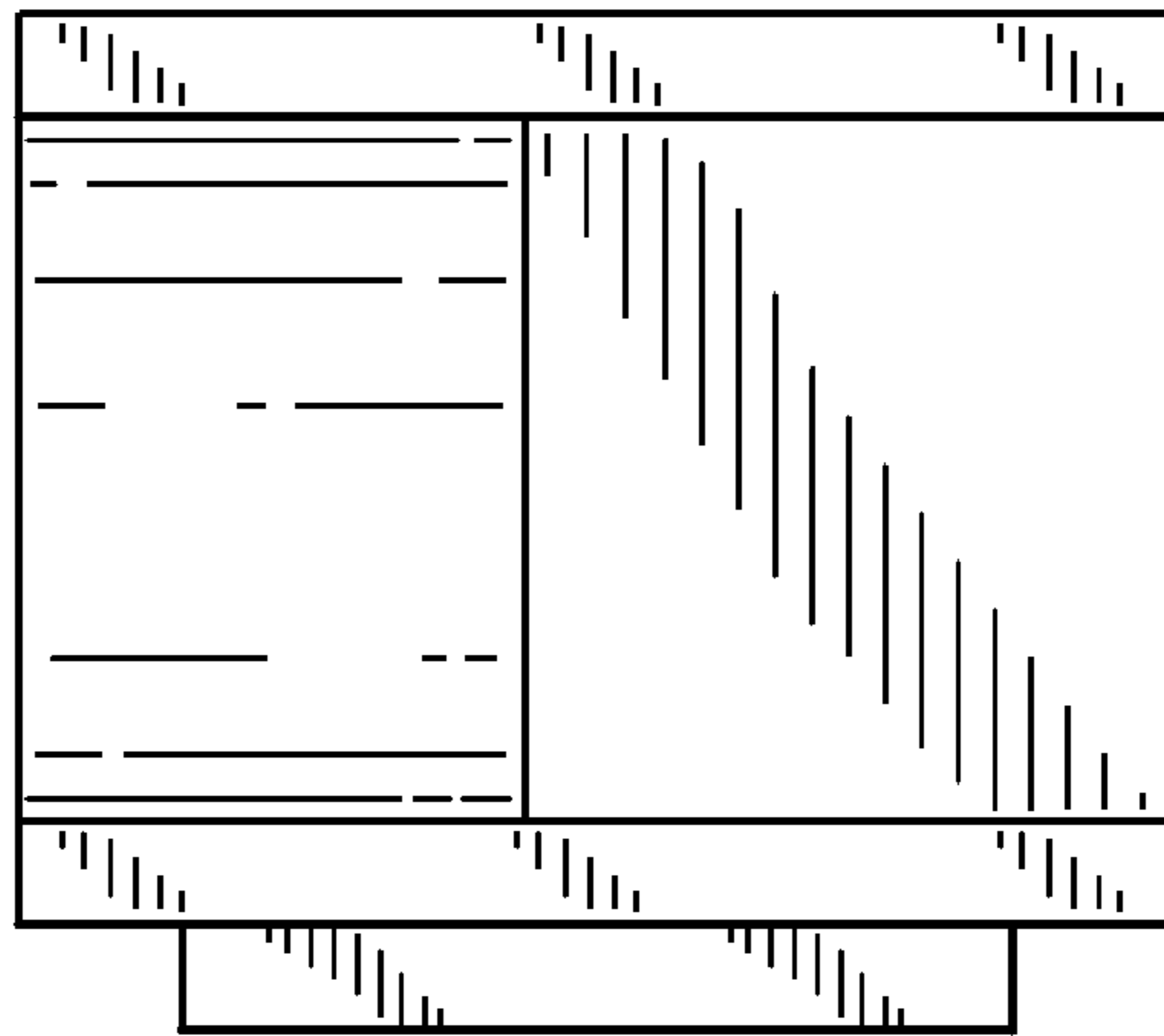
FIG. 6 is a front view thereof; and,

FIG. 7 is a perspective view thereof.

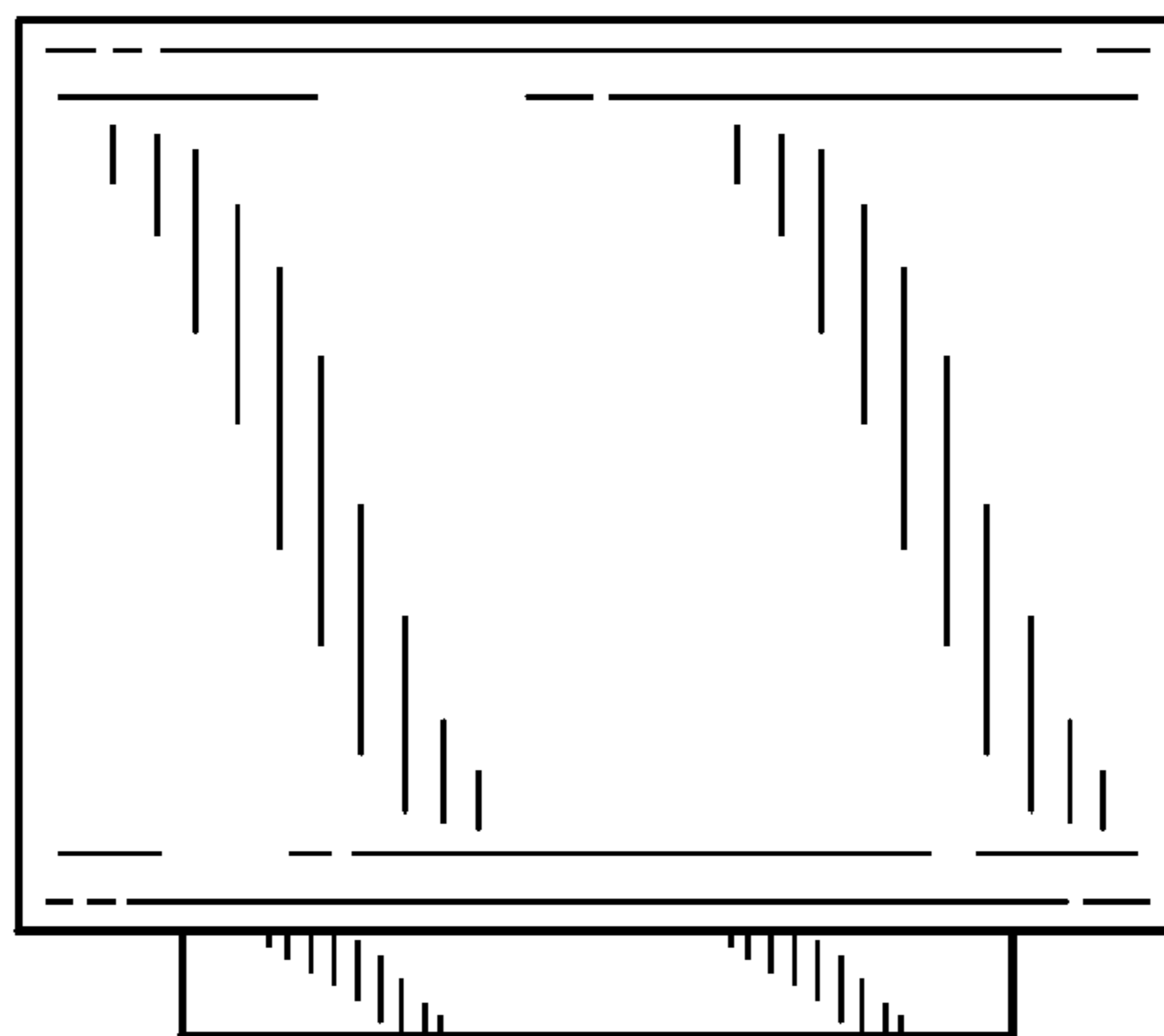
Broken lines shown in the drawings are for illustrative purposes only and form no part of the claimed design.

**1 Claim, 4 Drawing Sheets**

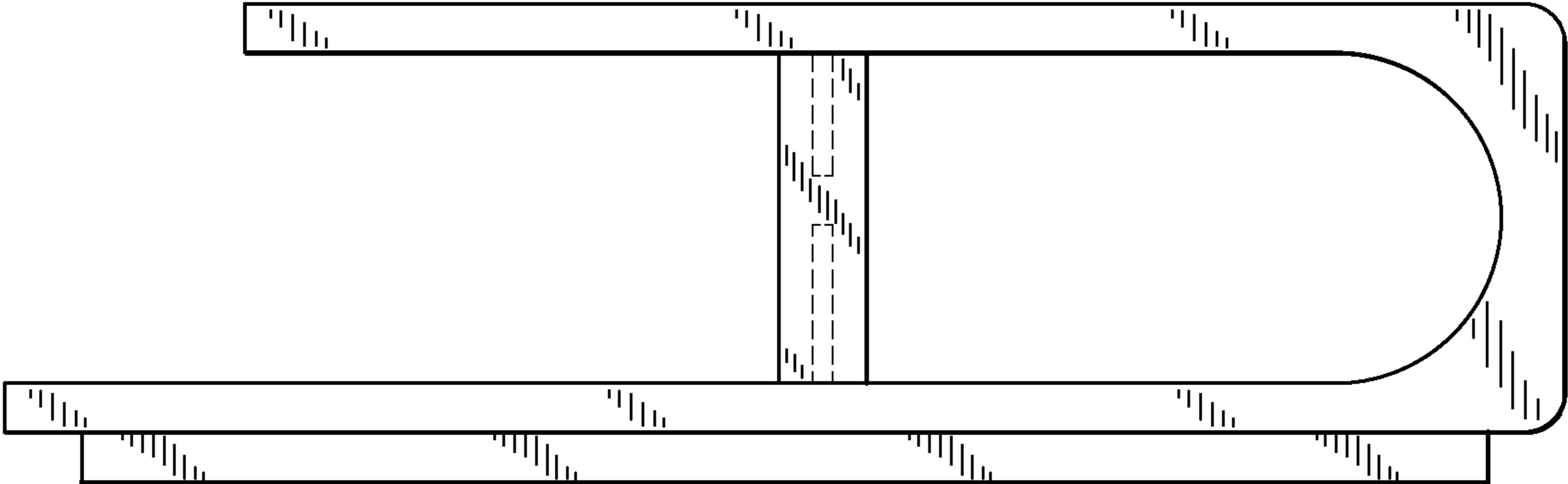




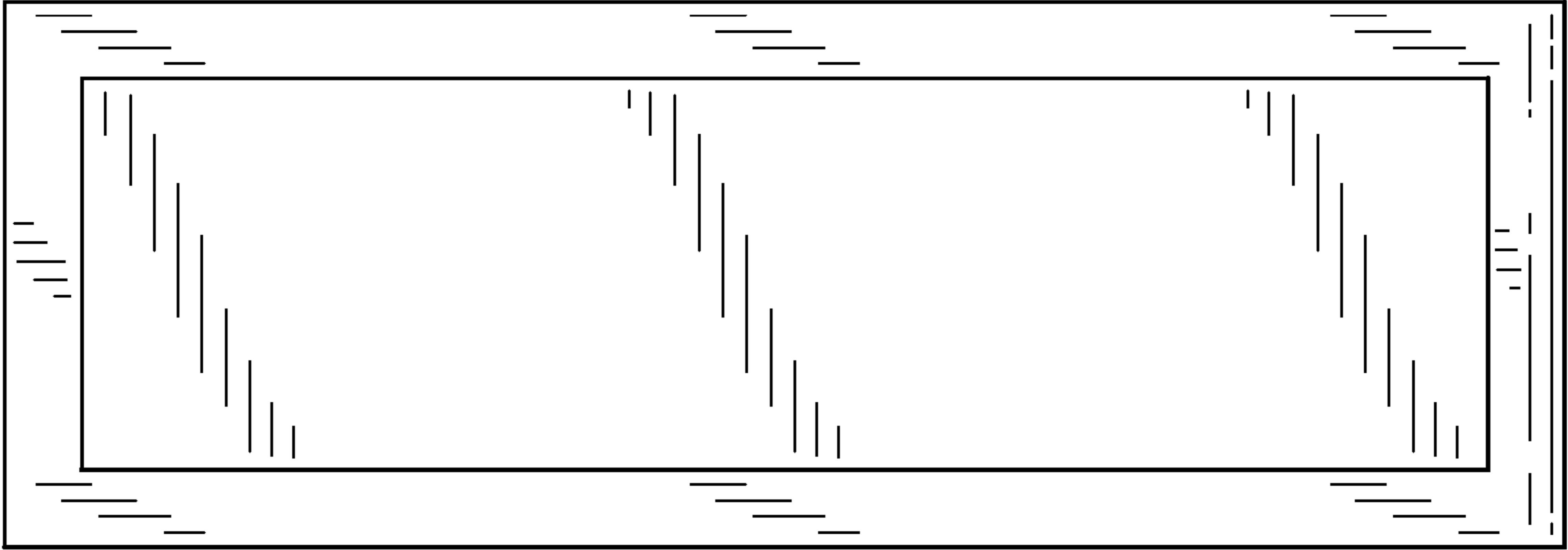
**FIG. 1**



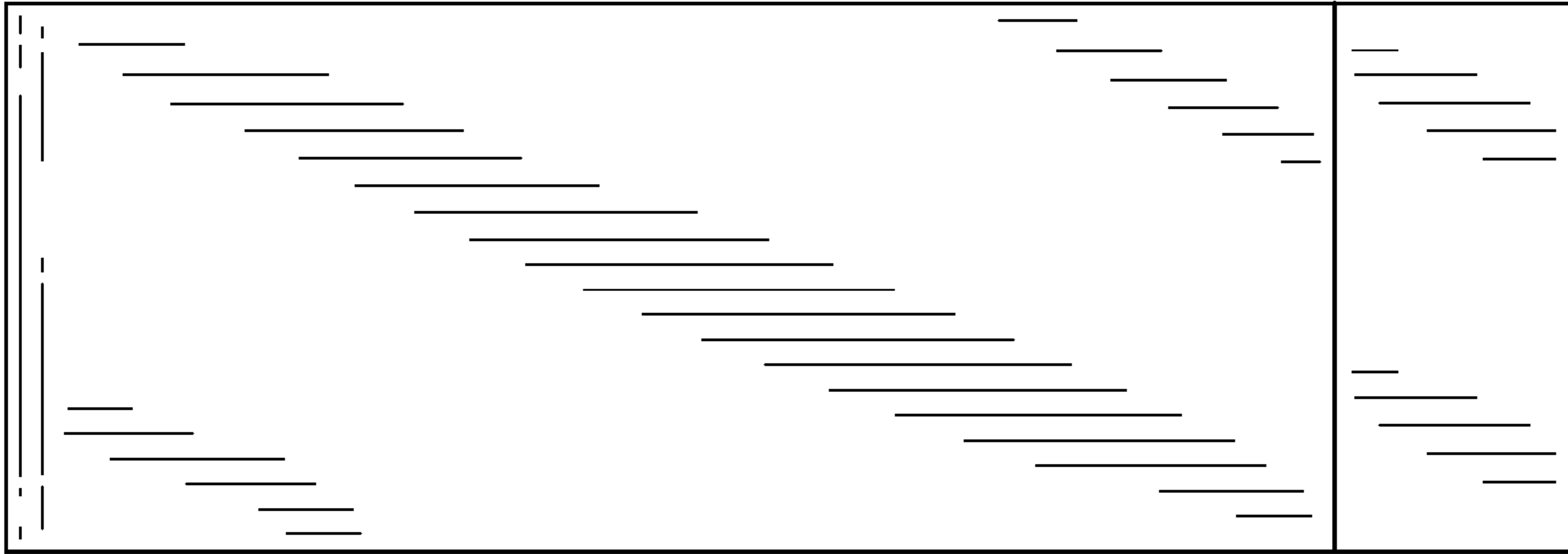
**FIG. 2**



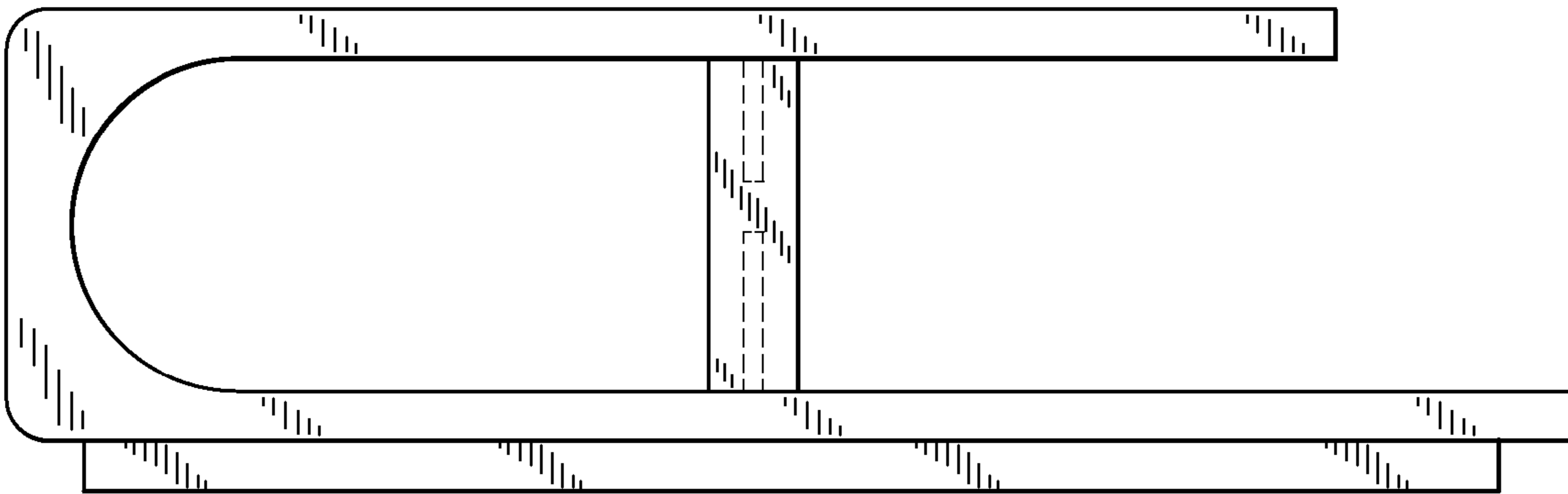
**FIG. 3**



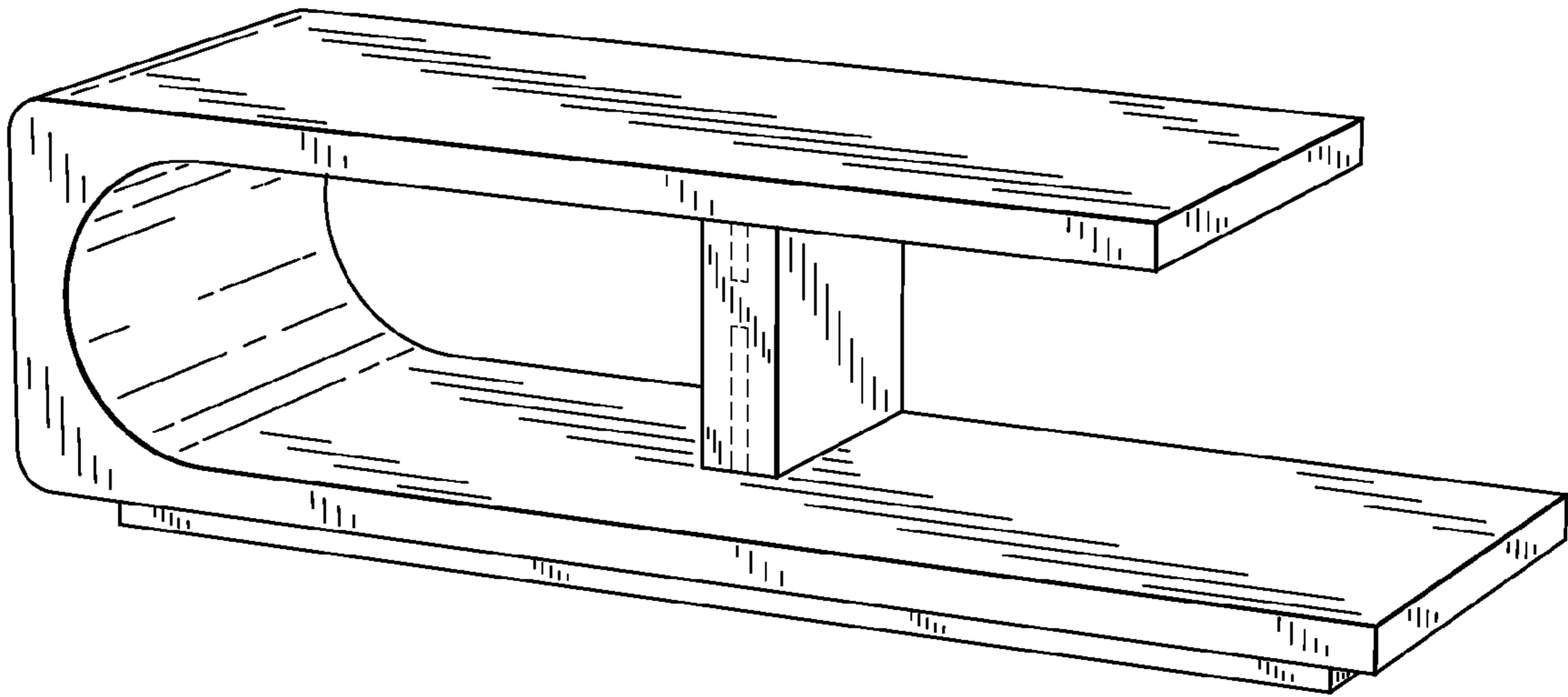
**FIG. 4**



**FIG. 5**



**FIG. 6**



**FIG. 7**