



US00D620285S

(12) **United States Design Patent**  
**Sculler et al.**

(10) **Patent No.:** **US D620,285 S**  
(45) **Date of Patent:** **\*\* Jul. 27, 2010**

- (54) **AUDIO VIDEO SHELVING UNIT**
- (75) Inventors: **Marc Sculler**, Colts Neck, NJ (US);  
**Robert Weitz**, Toms River, NJ (US)
- (73) Assignee: **Bell'O International Corp.**,  
Morganville, NJ (US)

D497,060 S 10/2004 Chang et al.  
D497,061 S 10/2004 Decarolis  
D505,573 S 5/2005 Malizia

(Continued)

- (\*\*) Term: **14 Years**
- (21) Appl. No.: **29/353,365**
- (22) Filed: **Jan. 7, 2010**

- (51) **LOC (9) Cl.** ..... **06-04**
- (52) **U.S. Cl.** ..... **D6/477**
- (58) **Field of Classification Search** ..... D6/470,  
D6/471, 474, 477-479, 460-461, 468; 108/59,  
108/91, 92, 96; 211/40, 41.12, 42, 49.1,  
211/50, 85.2, 90.04, 187, 190; 206/307  
See application file for complete search history.

(56) **References Cited**

**U.S. PATENT DOCUMENTS**

- D363,626 S \* 10/1995 Herbst ..... D6/479
- D371,472 S \* 7/1996 Herbst ..... D6/480
- D378,175 S \* 2/1997 Hamami ..... D6/479
- D405,630 S \* 2/1999 Wohlford ..... D6/479
- D441,217 S \* 5/2001 Pepin et al. .... D6/436
- D454,731 S 3/2002 Niitsu et al.
- D458,053 S 6/2002 Luong
- D471,739 S \* 3/2003 de Carolis ..... D6/479
- D472,073 S 3/2003 de Carolis
- D472,074 S 3/2003 de Carolis
- D472,075 S 3/2003 de Carolis
- D483,581 S \* 12/2003 Chang ..... D6/479
- D489,548 S 5/2004 Malizia et al.
- D491,748 S 6/2004 deCarolis
- D491,749 S 6/2004 Malizia et al.
- D491,750 S 6/2004 Bertoncini et al.
- D491,753 S 6/2004 deCarolis
- D492,139 S \* 6/2004 McDiarmid ..... D6/479
- D492,860 S 7/2004 Bertoncini et al.
- D493,982 S 8/2004 deCarolis
- D496,807 S 10/2004 deCarolis

**OTHER PUBLICATIONS**

Bell'O's 2005-2006 Product Catalog.

*Primary Examiner*—Elizabeth A Albert  
*Assistant Examiner*—Kelley A Donnelly  
(74) *Attorney, Agent, or Firm*—Lerner, David, Littenberg,  
Krumholz & Mentlik, LLP

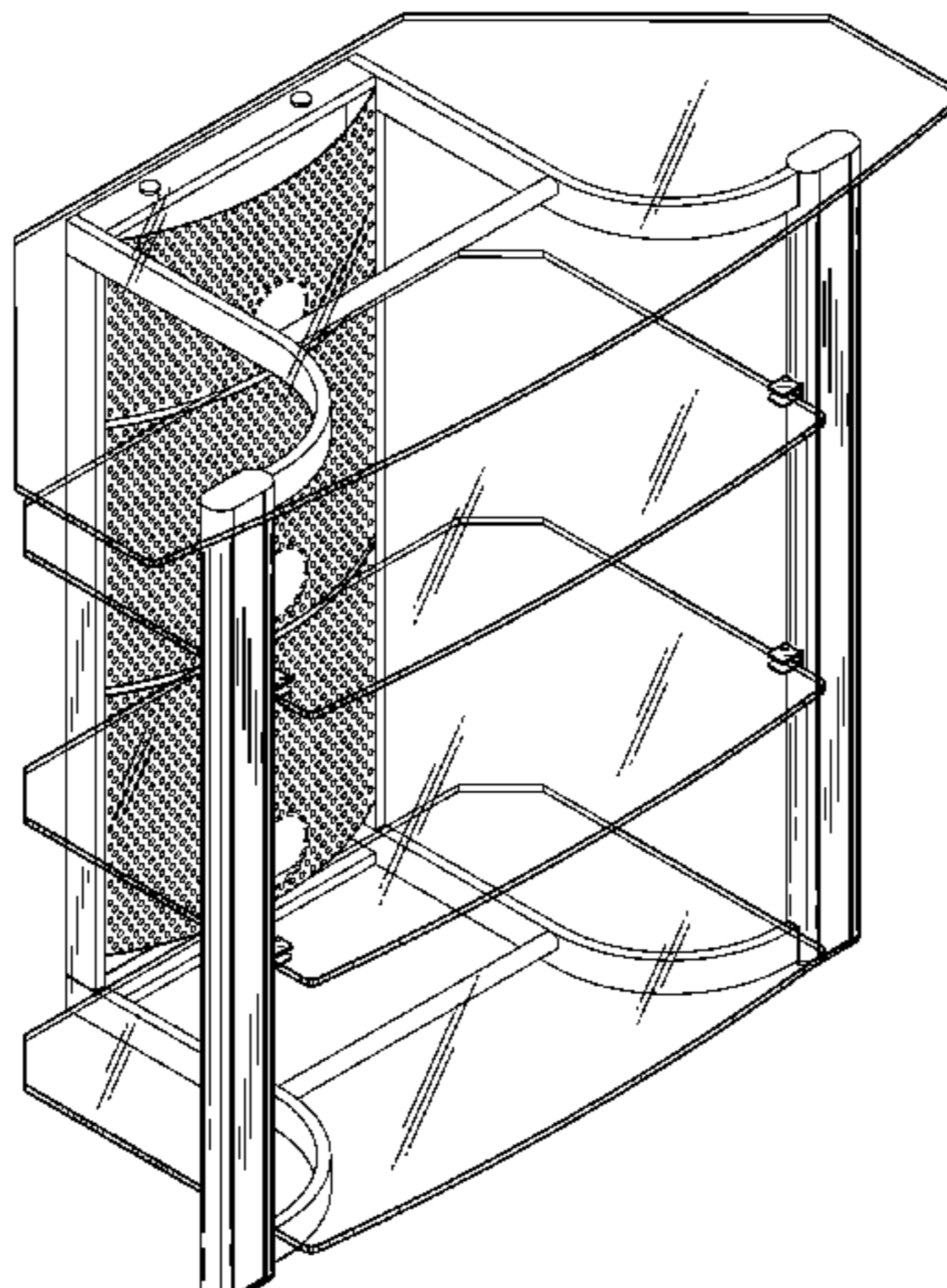
(57) **CLAIM**

The ornamental design for audio video shelving unit, as shown and described.

**DESCRIPTION**

FIG. 1 is a front perspective view of a first embodiment of the audio video shelving unit;  
FIG. 2 is a front elevational view thereof;  
FIG. 3 is a rear elevational view thereof;  
FIG. 4 is a right side view thereof (the left side being a mirror image of the right side view);  
FIG. 5 is a top plan view thereof;  
FIG. 6 is a front perspective view of a second embodiment of the audio video shelving unit; and,  
FIG. 7 is a top plan view of the embodiment shown in FIG. 6 (all other views of the second embodiment having the same appearance as FIGS. 2, 3 and 4).  
The broken lines are for environmental purposes only and form no part of the claimed design.  
The stippled shading on the back bowed support panel of the "audio video shelving unit" is meant to indicate "surface texture."

**1 Claim, 7 Drawing Sheets**



# US D620,285 S

Page 2

## U.S. PATENT DOCUMENTS

D506,329 S	6/2005	Sexton	
D507,433 S	7/2005	Portnoy	
D507,900 S	8/2005	Sexton	
D508,172 S	8/2005	Malizia et al.	
D515,337 S	2/2006	deCarolis	
D515,849 S	2/2006	Niu	
D516,838 S	3/2006	Portnoy	
D516,840 S	3/2006	deCarolis	
D516,847 S	3/2006	Stenhouse et al.	
D519,757 S	5/2006	Portnoy	
D524,080 S *	7/2006	Stenhouse et al. ....	D6/479
D525,052 S	7/2006	Malizia et al.	
D525,054 S	7/2006	Stenhouse et al.	
D527,208 S	8/2006	Malizia et al.	
D535,497 S	1/2007	Portnoy	
D537,656 S	3/2007	Stenhouse et al.	
D542,059 S	5/2007	Moyle et al.	
D543,729 S	6/2007	Weatherly	
D549,991 S	9/2007	Stravitz	
D554,393 S	11/2007	Yalif	
D555,397 S	11/2007	Yalif	
D559,583 S	1/2008	Zambelli	
D559,584 S	1/2008	Zambelli	
D560,077 S	1/2008	Zambelli	
D562,593 S	2/2008	Zambelli	
D564,260 S	3/2008	deCarolis	
D564,261 S	3/2008	Sculler	
D564,789 S	3/2008	deCarolis	
D564,796 S	3/2008	Zambelli	
D587,483 S	3/2009	Zambelli	
D587,496 S	3/2009	Weitz	
D587,497 S	3/2009	Zambelli	
D589,280 S	3/2009	Zambelli	
D590,636 S	4/2009	Ou Yang et al.	
D590,637 S	4/2009	Portnoy	
D592,428 S	5/2009	Zambelli	
D594,248 S	6/2009	Zambelli	
D595,978 S	7/2009	Portnoy et al.	
D599,584 S	9/2009	Zambelli	
D604,251 S	11/2009	Hwang	
D605,874 S	12/2009	Zambelli	
D609,501 S *	2/2010	Sexton .....	D6/479

\* cited by examiner



FIG. 1

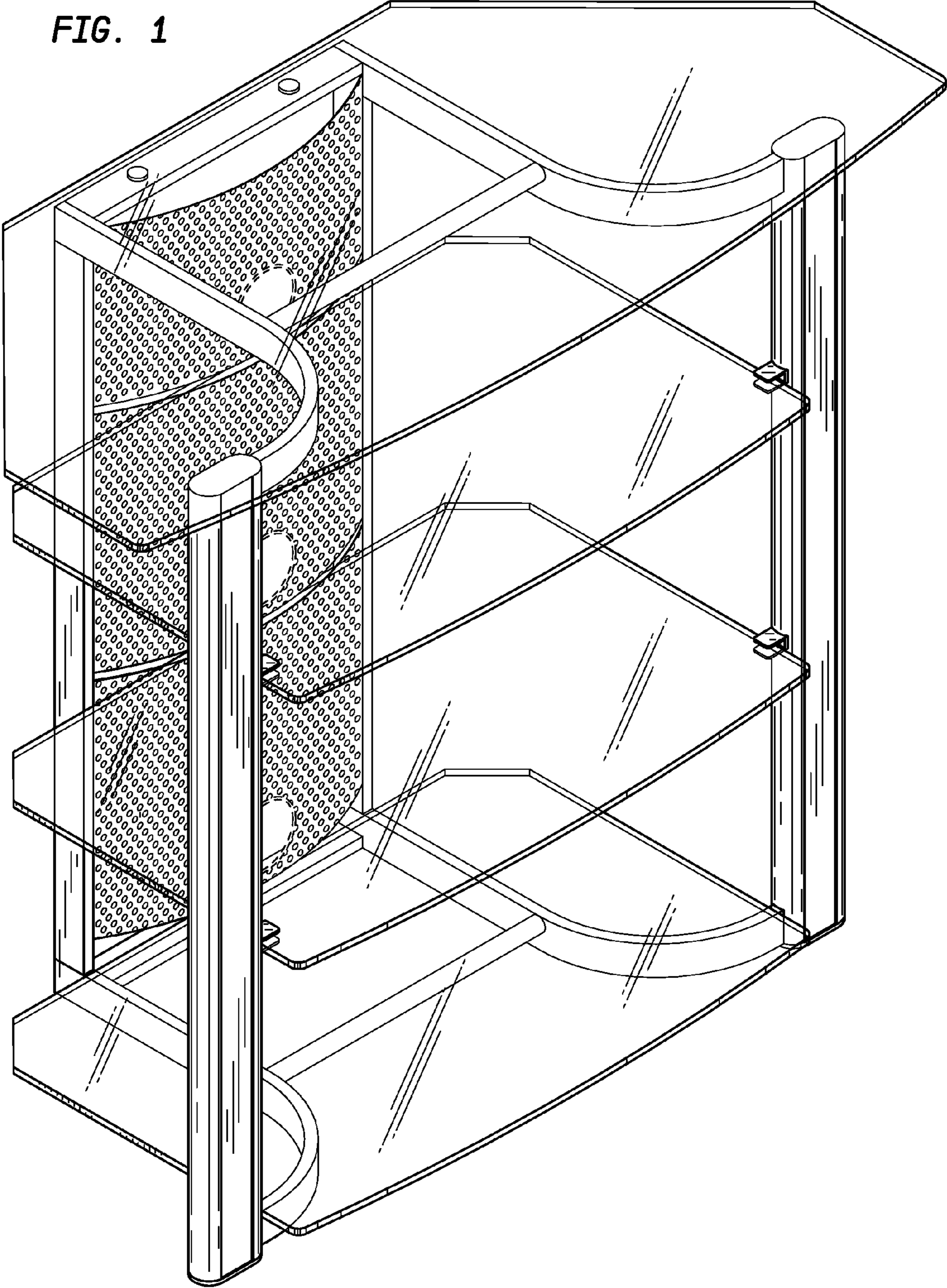


FIG. 2

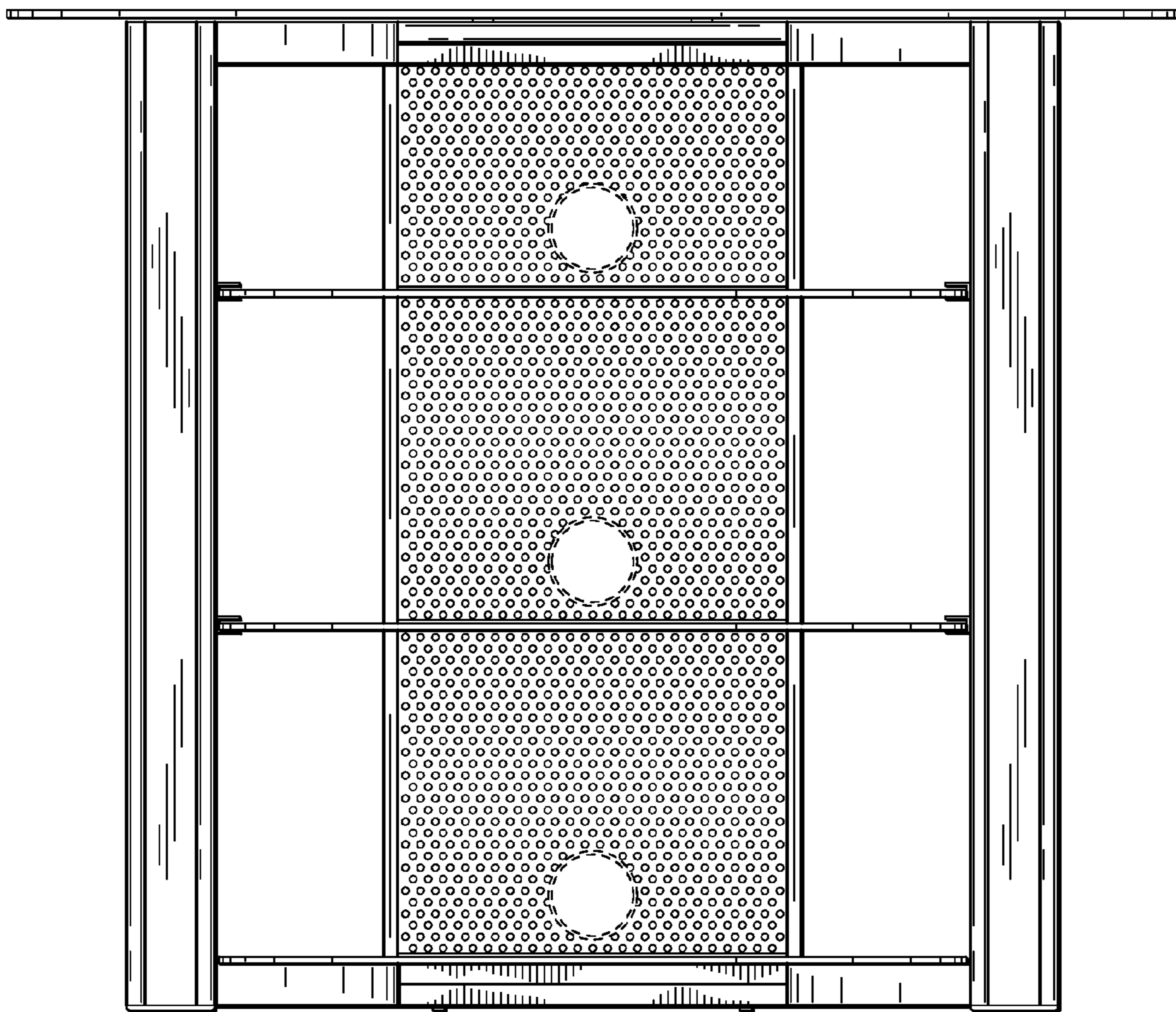
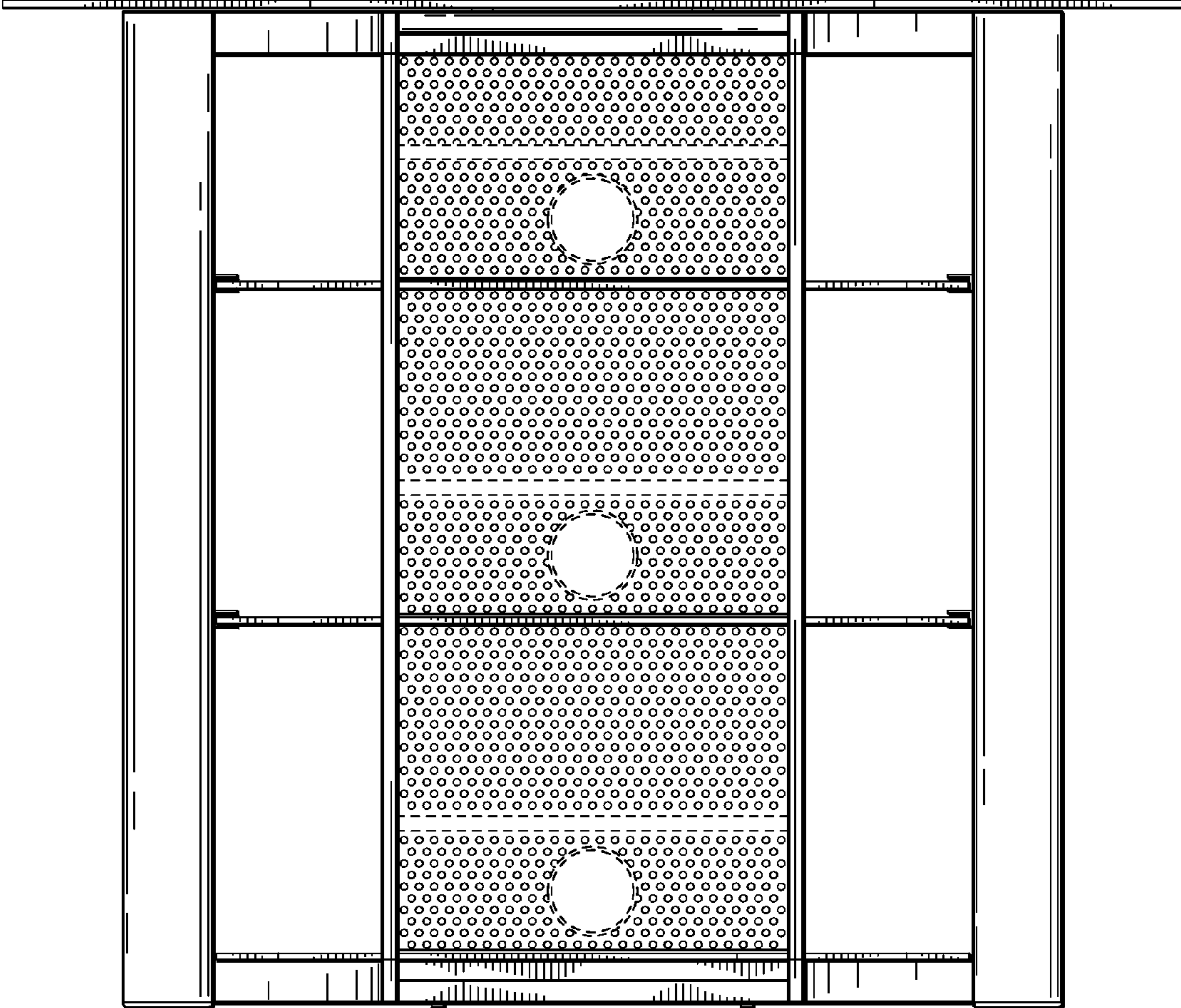


FIG. 3



*FIG. 4*

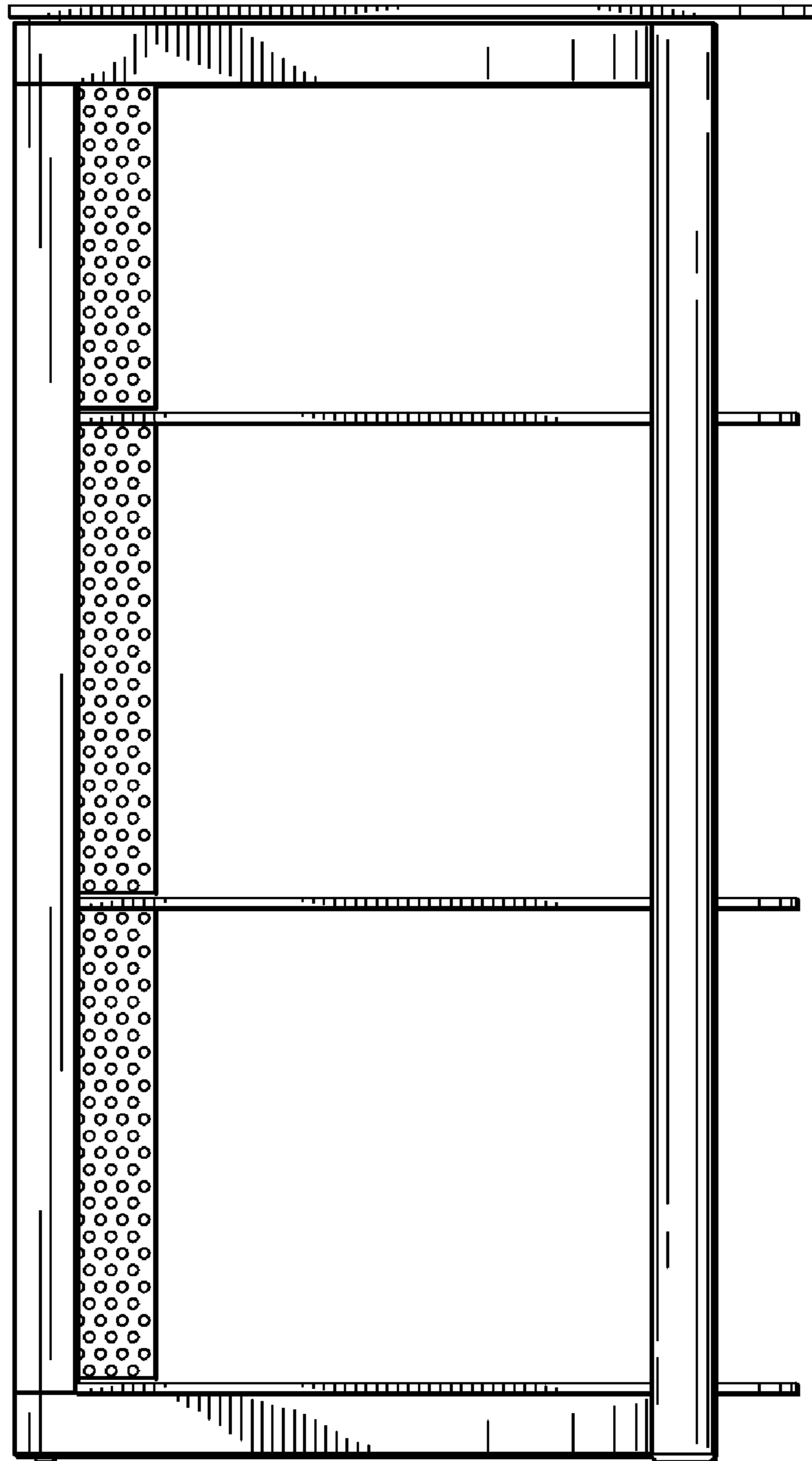




FIG. 5

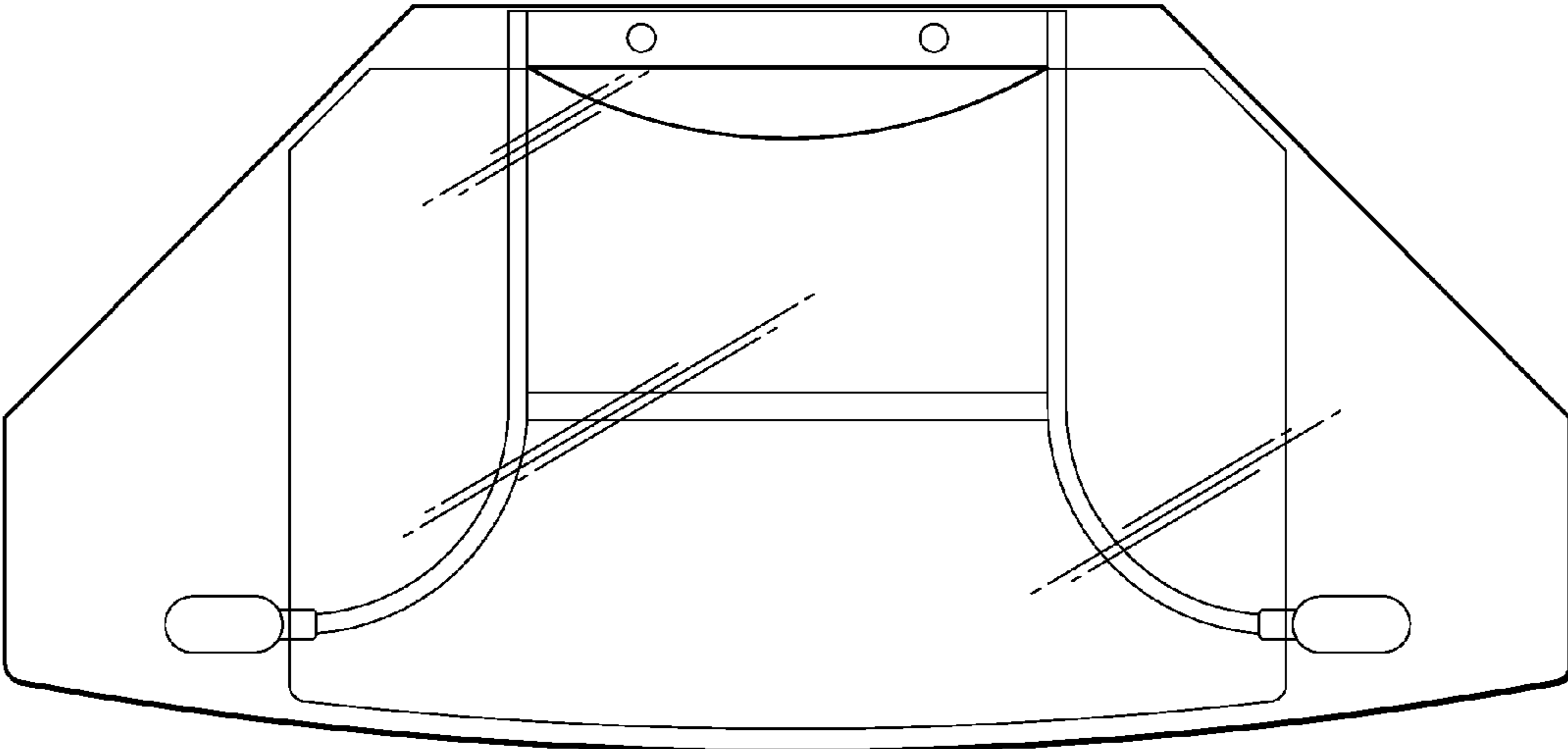
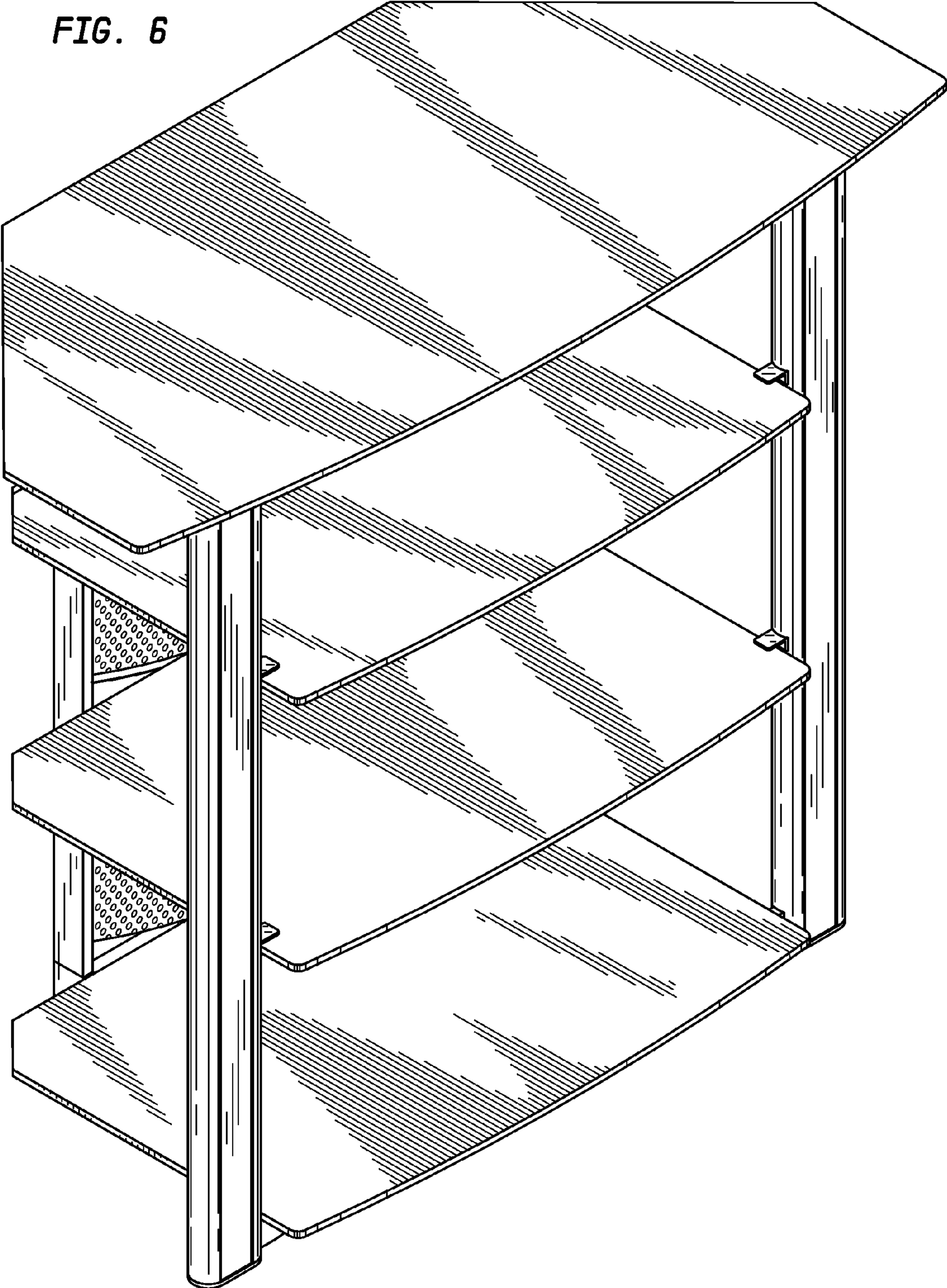


FIG. 6





*FIG. 7*

