

US00D620284S

(12) **United States Design Patent**  
**Zambelli**

(10) **Patent No.:** **US D620,284 S**  
(45) **Date of Patent:** **\*\* Jul. 27, 2010**

(54) **AUDIO VIDEO SHELVING UNIT**  
(75) Inventor: **Michael P. Zambelli**, Basking Ridge, NJ (US)  
(73) Assignee: **Bell'O International Corp.**, Morganville, NJ (US)

D515,337 S 2/2006 deCarolis  
D515,849 S 2/2006 Niu  
D516,838 S 3/2006 Portnoy  
D516,840 S 3/2006 deCarolis  
D516,847 S 3/2006 Stenhouse et al.  
D519,757 S 5/2006 Portnoy  
D524,080 S 7/2006 Stenhouse et al.

(\*\*) Term: **14 Years**

(Continued)

(21) Appl. No.: **29/353,363**

**OTHER PUBLICATIONS**

(22) Filed: **Jan. 7, 2010**

Bell'O 2005-2006 Product Catalog.

(51) **LOC (9) Cl.** ..... **06-04**

(52) **U.S. Cl.** ..... **D6/477**

(58) **Field of Classification Search** ..... D6/470,  
D6/471, 474, 477-479, 460-461, 468; 108/59,  
108/91, 92, 96; 211/40, 41.12, 42, 49.1,  
211/50, 85.2, 90.04, 187, 190; 206/307

*Primary Examiner*—Elizabeth A Albert  
*Assistant Examiner*—Kelley A Donnelly

(74) *Attorney, Agent, or Firm*—Lerner, David, Littenberg,  
Krumholz & Mentlik, LLP

See application file for complete search history.

(57) **CLAIM**

The ornamental design for audio video shelving unit, as shown and described.

(56) **References Cited**

**U.S. PATENT DOCUMENTS**

D454,731 S 3/2002 Niitsu et al.  
D458,053 S 6/2002 Luong  
D459,118 S \* 6/2002 Antonioni ..... D6/477  
D472,073 S 3/2003 de Carolis  
D472,074 S 3/2003 de Carolis  
D472,075 S 3/2003 de Carolis  
D489,548 S 5/2004 Malizia et al.  
D491,748 S 6/2004 deCarolis  
D491,749 S 6/2004 Malizia et al.  
D491,750 S 6/2004 Bertoncini et al.  
D491,753 S 6/2004 deCarolis  
D492,860 S 7/2004 Bertoncini et al.  
D493,982 S 8/2004 deCarolis  
D496,807 S 10/2004 deCarolis  
D497,060 S 10/2004 Chang et al.  
D497,061 S 10/2004 Decarolis  
D505,573 S 5/2005 Malizia  
D506,329 S 6/2005 Sexton  
D507,433 S 7/2005 Portnoy  
D507,900 S 8/2005 Sexton  
D508,172 S 8/2005 Malizia et al.

**DESCRIPTION**

FIG. 1 is a front perspective view of a first embodiment of the audio video shelving unit;

FIG. 2 is a front elevational view thereof;

FIG. 3 is a rear elevational view thereof;

FIG. 4 is a right side view thereof (the left side being a mirror image of the right side view);

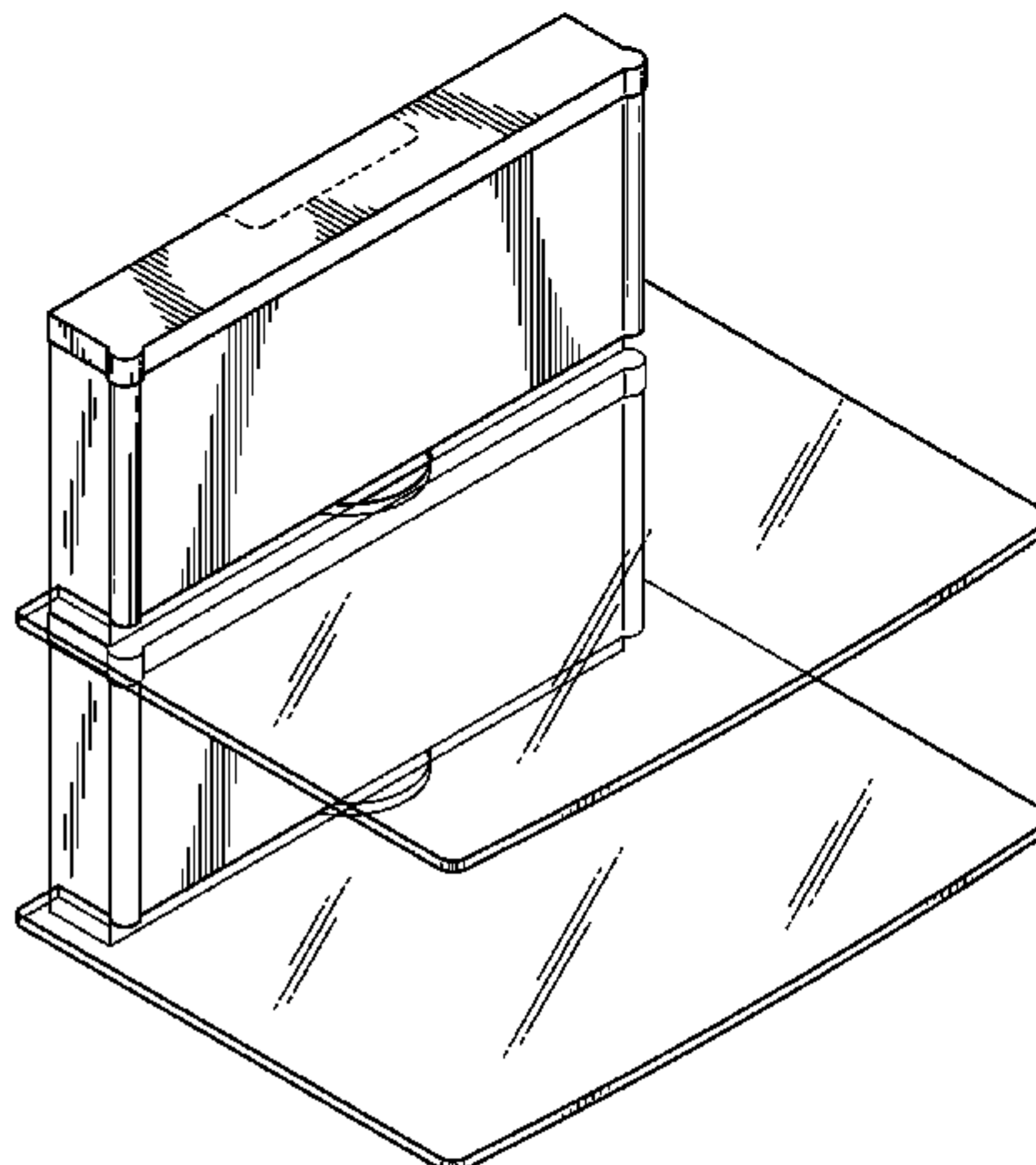
FIG. 5 is a top plan view thereof;

FIG. 6 is a front perspective view of a second embodiment of the audio video shelving unit; and,

FIG. 7 is a top plan view of the embodiment shown in FIG. 6 (all other views of the second embodiment having the same appearance as FIGS. 2, 3 and 4).

The broken lines are for environmental purposes only and form no part of the claimed design.

**1 Claim, 7 Drawing Sheets**



# US D620,284 S

Page 2

---

U.S. PATENT DOCUMENTS			
D524,578 S	*	7/2006	Stenhouse et al. .... D6/479
D525,052 S		7/2006	Malizia et al.
D525,054 S		7/2006	Stenhouse et al.
D527,208 S		8/2006	Malizia et al.
D535,497 S		1/2007	Portnoy
D537,656 S		3/2007	Stenhouse et al.
D540,067 S	*	4/2007	Chung ..... D6/474
D542,059 S		5/2007	Moyle et al.
D543,729 S		6/2007	Weatherly
D549,991 S		9/2007	Stravitz
D554,393 S		11/2007	Yalif
D555,397 S		11/2007	Yalif
D559,583 S		1/2008	Zambelli
D559,584 S		1/2008	Zambelli
D560,077 S		1/2008	Zambelli
D560,401 S	*	1/2008	Hoglan et al. .... D6/479
D562,593 S		2/2008	Zambelli
D563,695 S	*	3/2008	Yamaguchi ..... D6/477
D564,260 S	*	3/2008	deCarolis ..... D6/477
D564,261 S		3/2008	Sculler
D564,789 S		3/2008	deCarolis
D564,796 S		3/2008	Zambelli
D564,797 S	*	3/2008	Yamaguchi ..... D6/477
D587,483 S		3/2009	Zambelli
D587,496 S		3/2009	Weitz
D587,497 S		3/2009	Zambelli
D589,280 S		3/2009	Zambelli
D590,636 S		4/2009	Ou Yang et al.
D590,637 S		4/2009	Portnoy
D592,428 S		5/2009	Zambelli
D594,248 S		6/2009	Zambelli
D595,978 S		7/2009	Portnoy et al.
D599,584 S		9/2009	Zambelli
D604,251 S		11/2009	Hwang
D605,874 S		12/2009	Zambelli
D610,836 S	*	3/2010	Kohler ..... D6/477

\* cited by examiner

**FIG. 1**

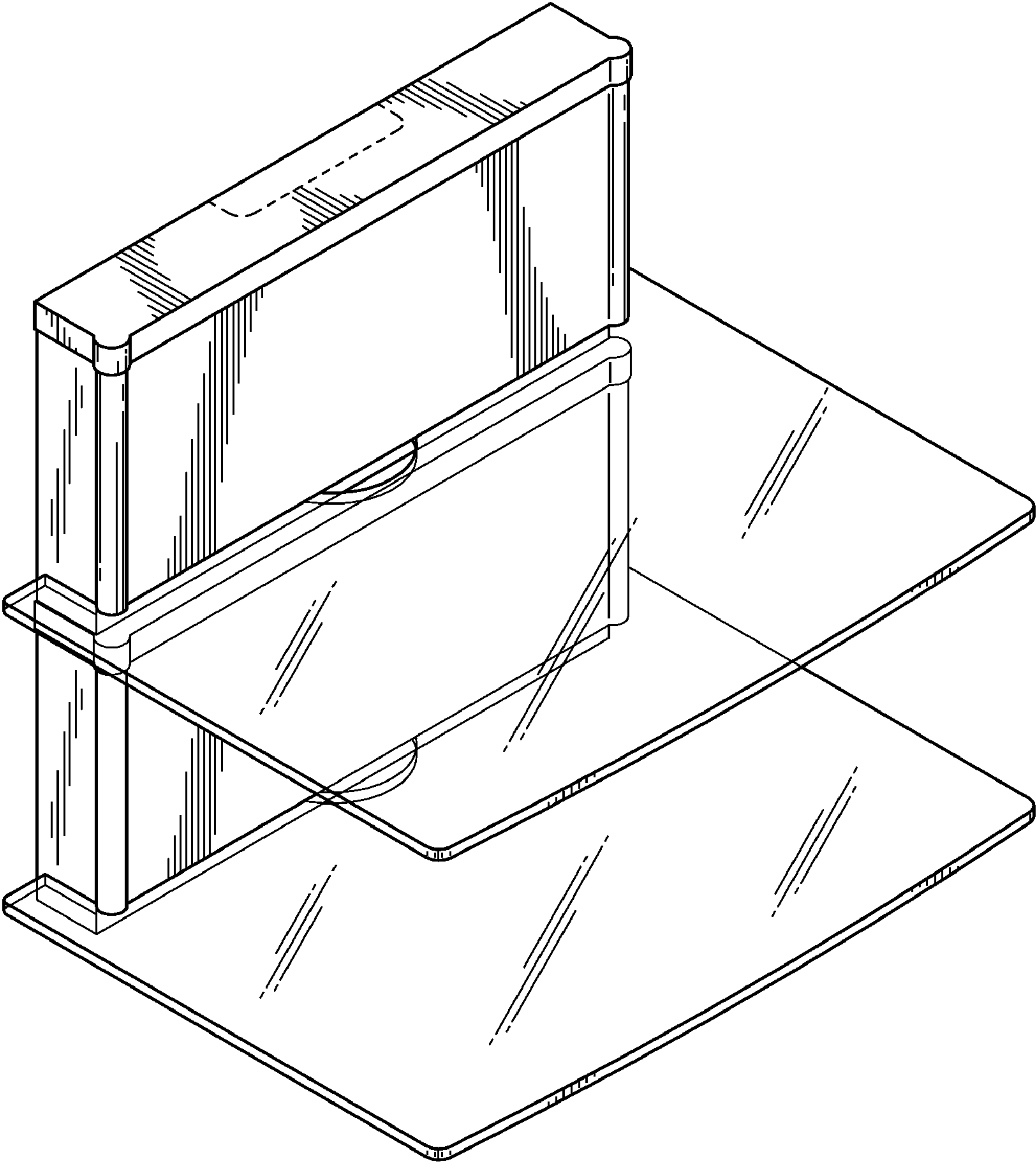
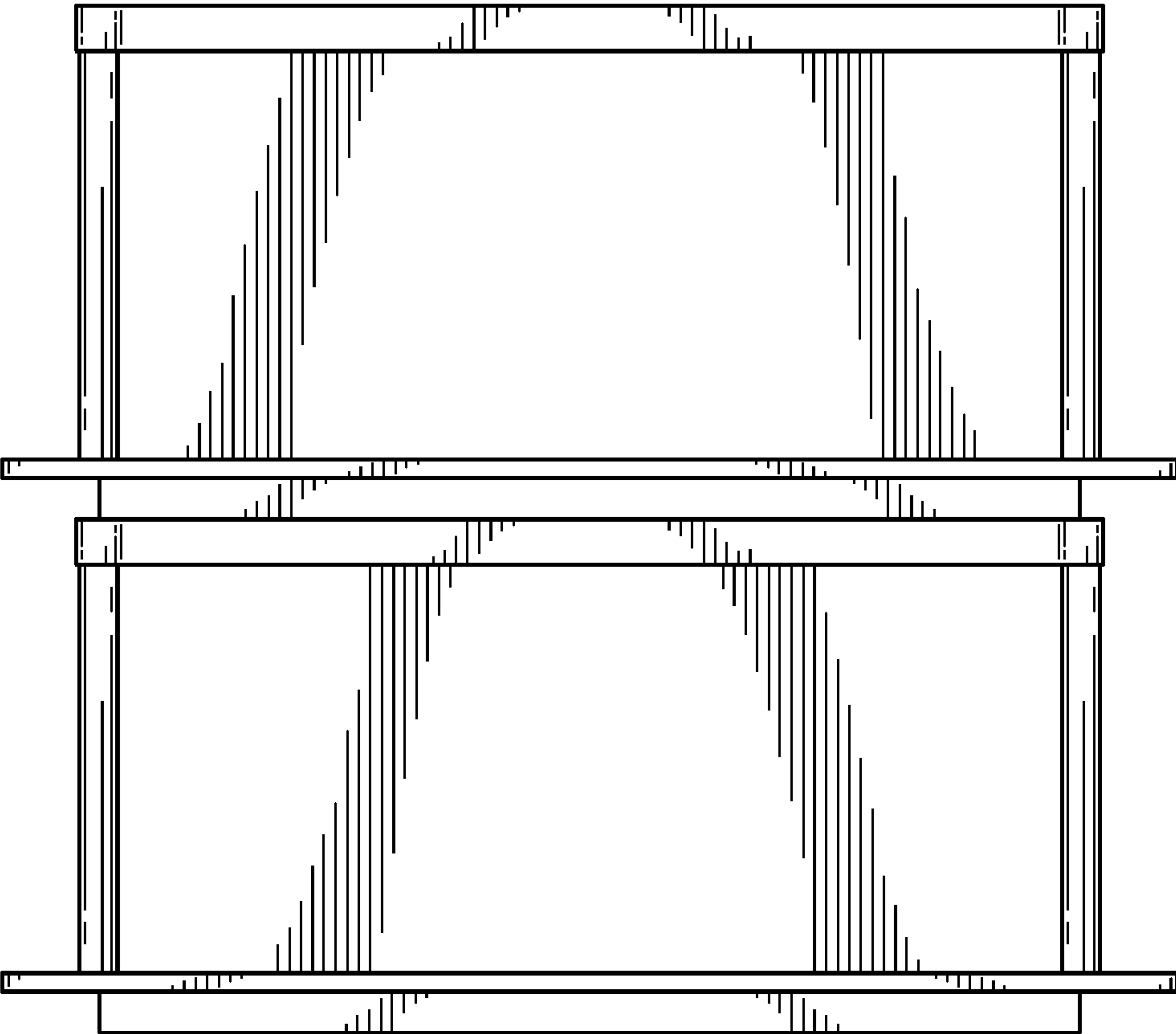
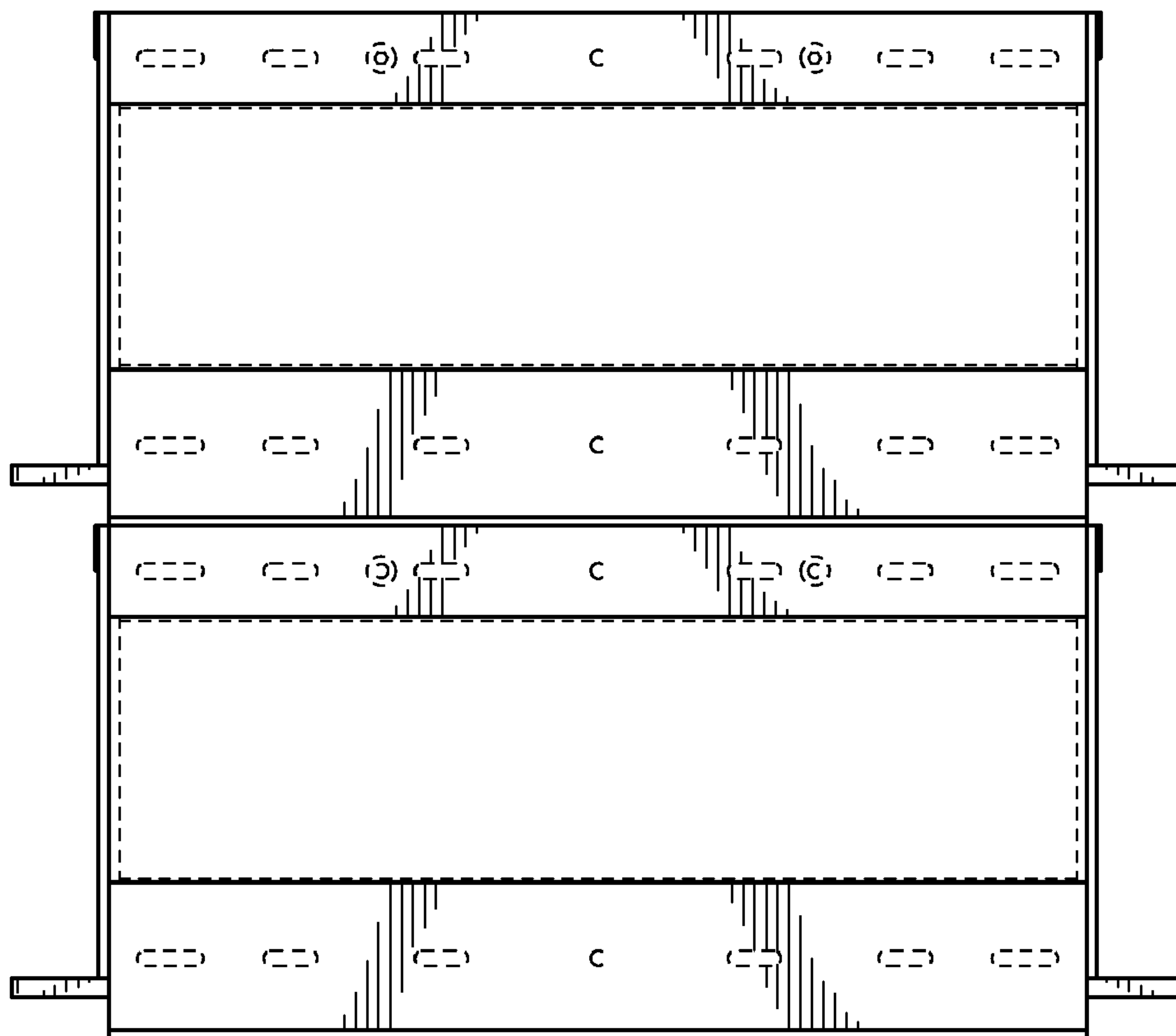


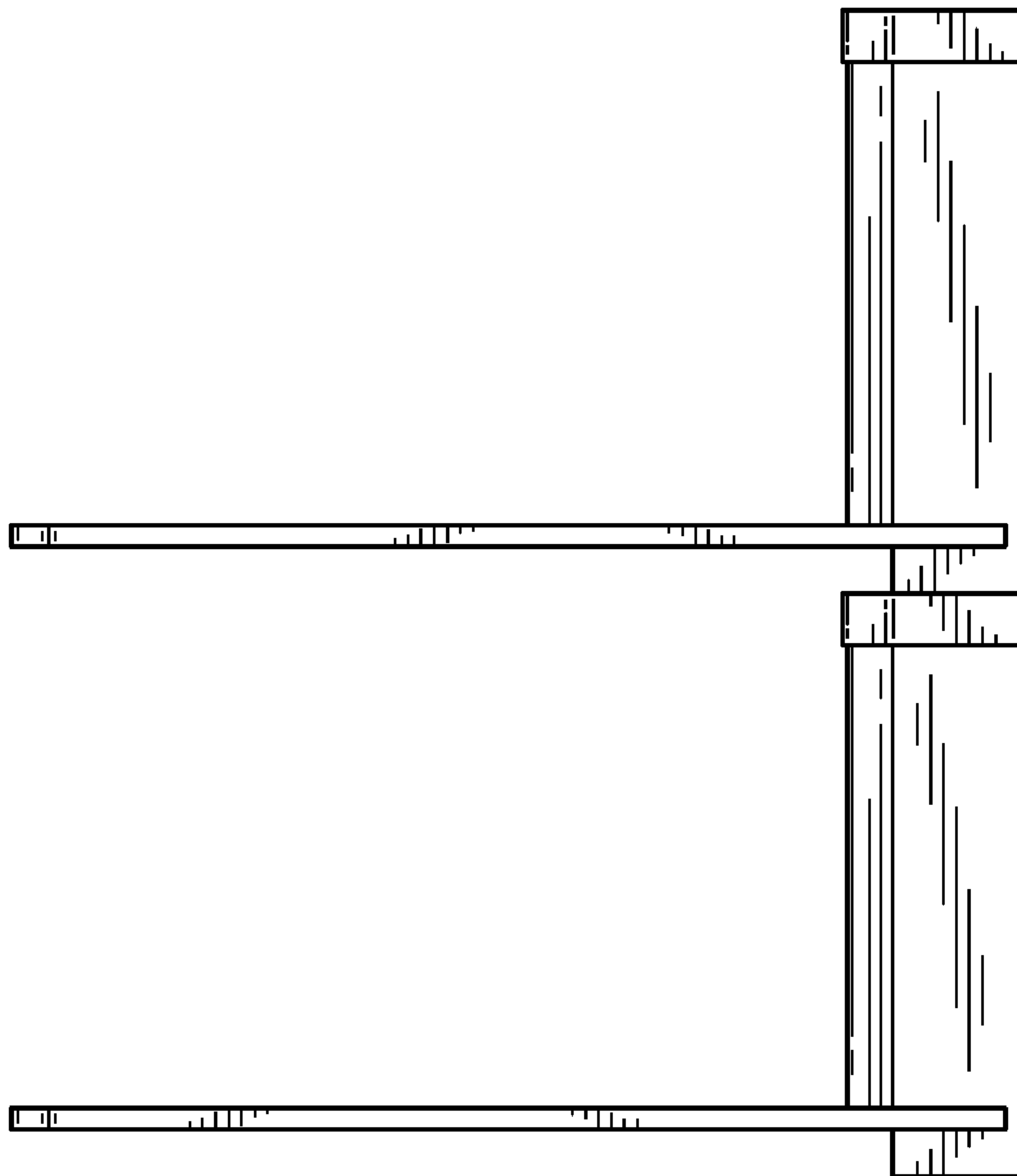
FIG. 2



**FIG. 3**



**FIG. 4**



**FIG. 5**

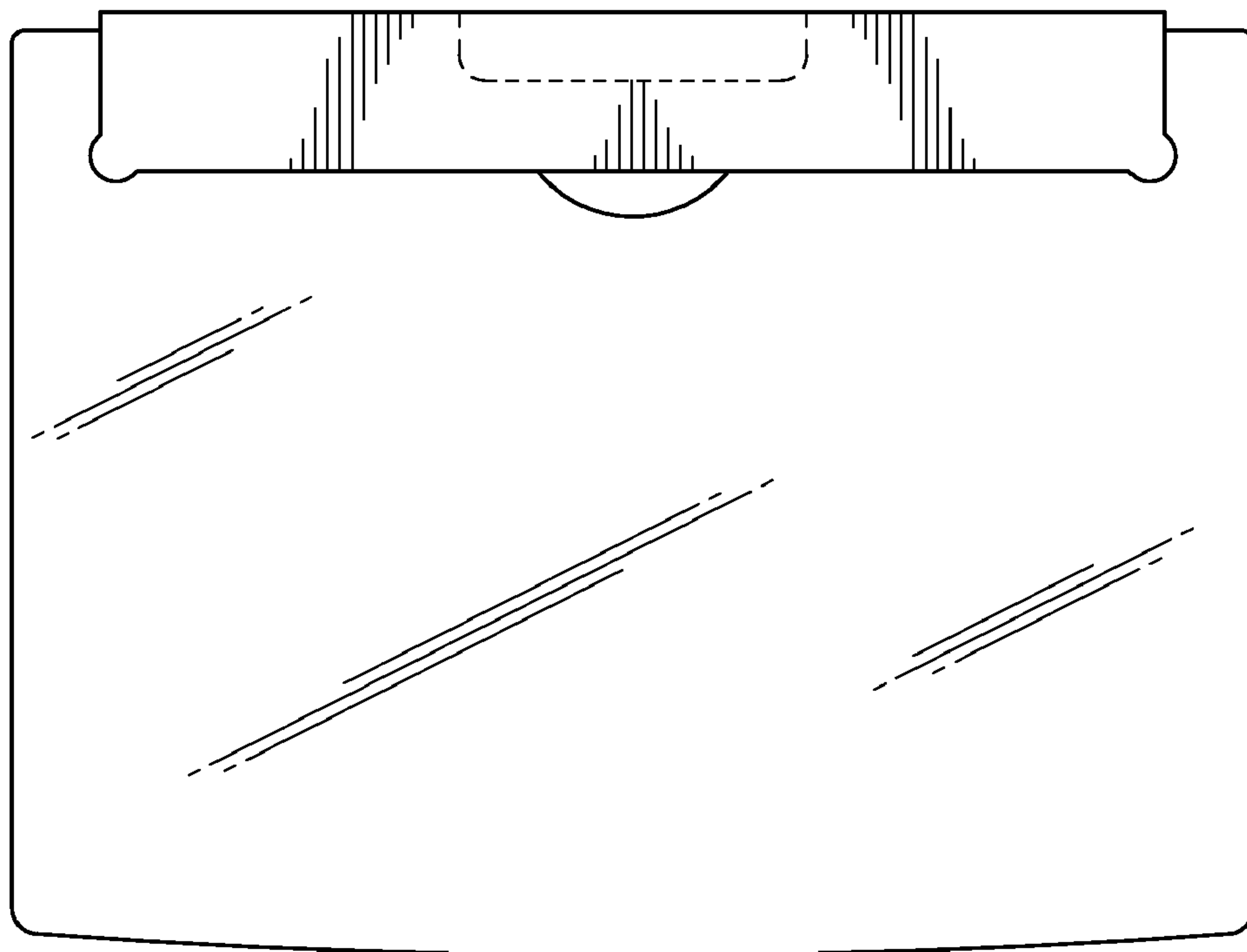




FIG. 6

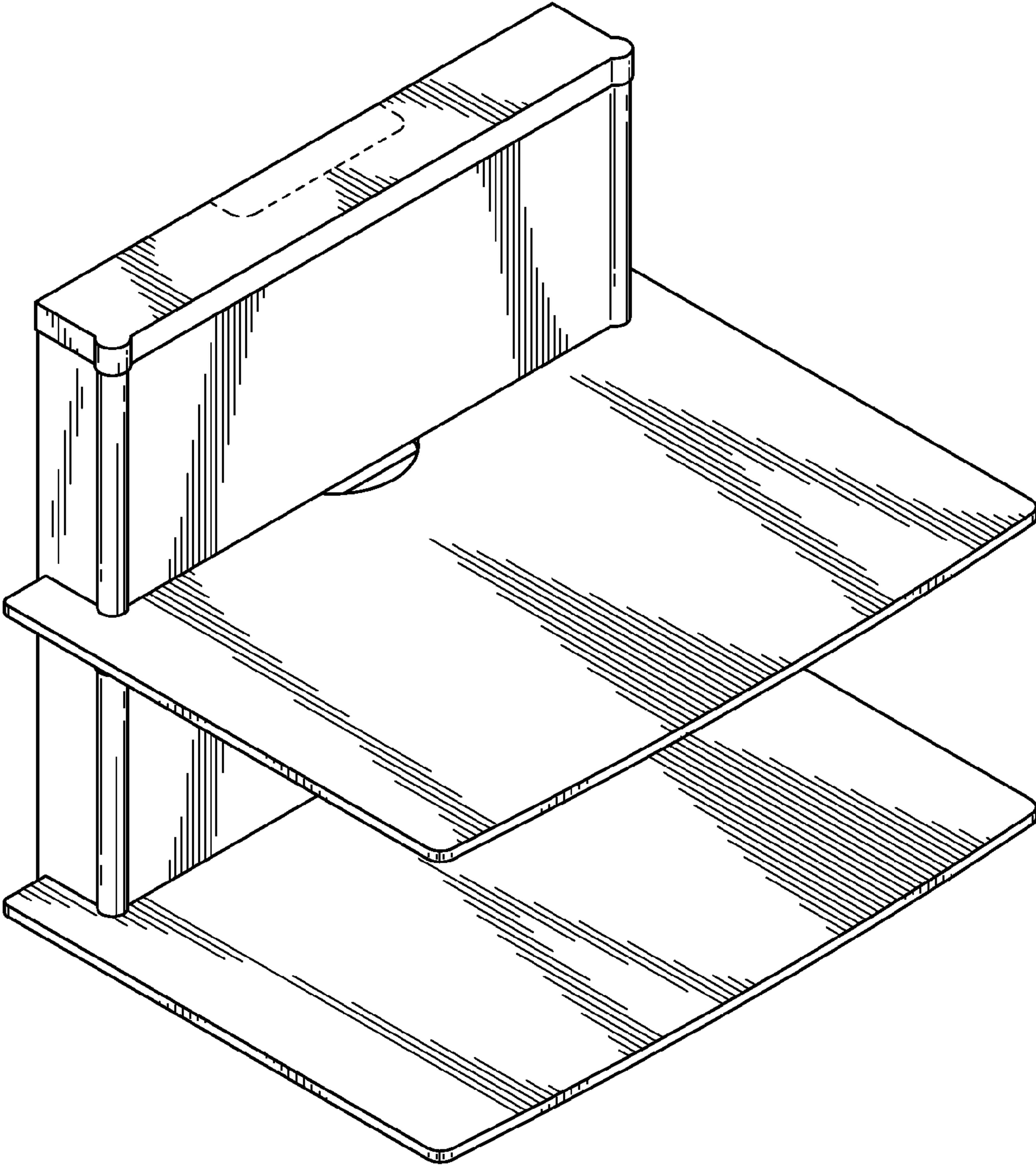




FIG. 7

