



US00D620281S

(12) **United States Design Patent**
Schmid

(10) **Patent No.:** **US D620,281 S**

(45) **Date of Patent:** **** Jul. 27, 2010**

(54) **CAP DISPLAY**

(76) Inventor: **Mark Schmid**, 827 Allerton Ct., San Diego, CA (US) 92130

(**) Term: **14 Years**

(21) Appl. No.: **29/343,917**

(22) Filed: **Sep. 21, 2009**

(51) **LOC (9) Cl.** **06-06**

(52) **U.S. Cl.** **D6/466; D8/395**

(58) **Field of Classification Search** D6/466, D6/511, 553, 540, 396, 397, 467, 574, 449-451, D6/476; 108/45, 151, 153.1, 155, 156, 157.1, 108/161, 50.02, 50.01; 211/90.02, 134, 153, 211/183, 86, 88, 126; D8/394-396, 72; D19/56, D19/65; 24/67.3; D32/60-64
See application file for complete search history.

(56) **References Cited**

U.S. PATENT DOCUMENTS

2,694,610	A	*	11/1954	Russell	108/45
3,620,174	A	*	11/1971	Dentino	108/151
D352,198	S	*	11/1994	Wright et al.	D6/574
D403,546	S	*	1/1999	Moon	D6/574
D416,415	S	*	11/1999	Ming-Hsiao	D6/540
D423,267	S	*	4/2000	Roth et al.	D6/540
D436,276	S	*	1/2001	Fiegl et al.	D6/553

D437,718	S	*	2/2001	Fiegl et al.	D6/540
D452,627	S	*	1/2002	Petri	D6/511
D529,737	S	*	10/2006	Terada	D6/511
D604,059	S	*	11/2009	Khoo et al.	D6/396

* cited by examiner

Primary Examiner—Philip S Hyder

Assistant Examiner—Sydney R Buffalow

(74) *Attorney, Agent, or Firm*—Michael P. Eddy

(57) **CLAIM**

I claim the ornamental design for a cap display, as shown and described.

DESCRIPTION

FIG. 1 is a front elevational perspective view of the cap display showing my new design;

FIG. 2 is a front plan view thereof;

FIG. 3 is a rear plan view thereof;

FIG. 4 is a right plan view thereof;

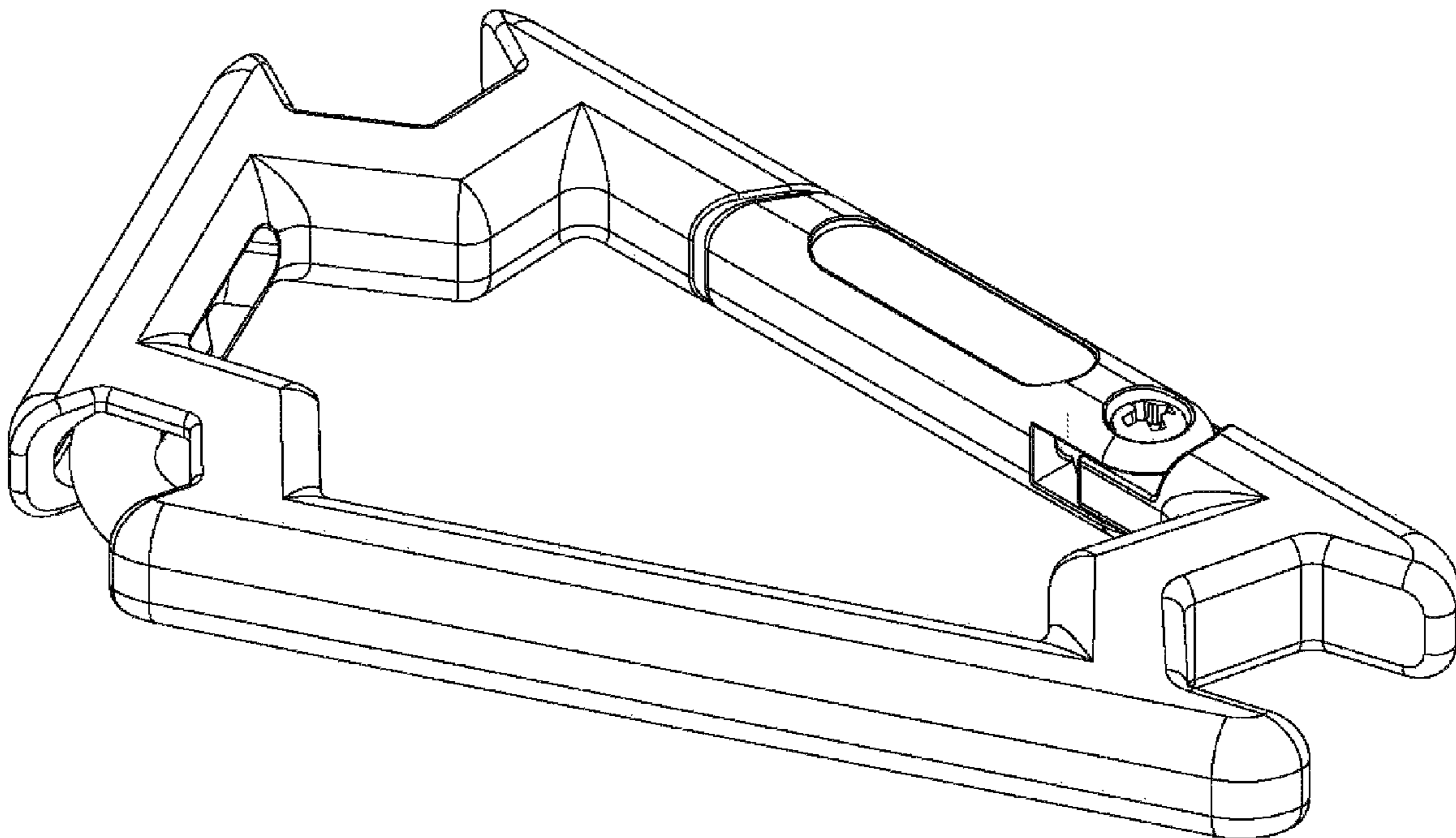
FIG. 5 is a left plan view thereof;

FIG. 6 is a top plan view thereof;

FIG. 7 is a bottom plan view thereof; and,

FIG. 8 is a rear elevational perspective view thereof.

1 Claim, 8 Drawing Sheets



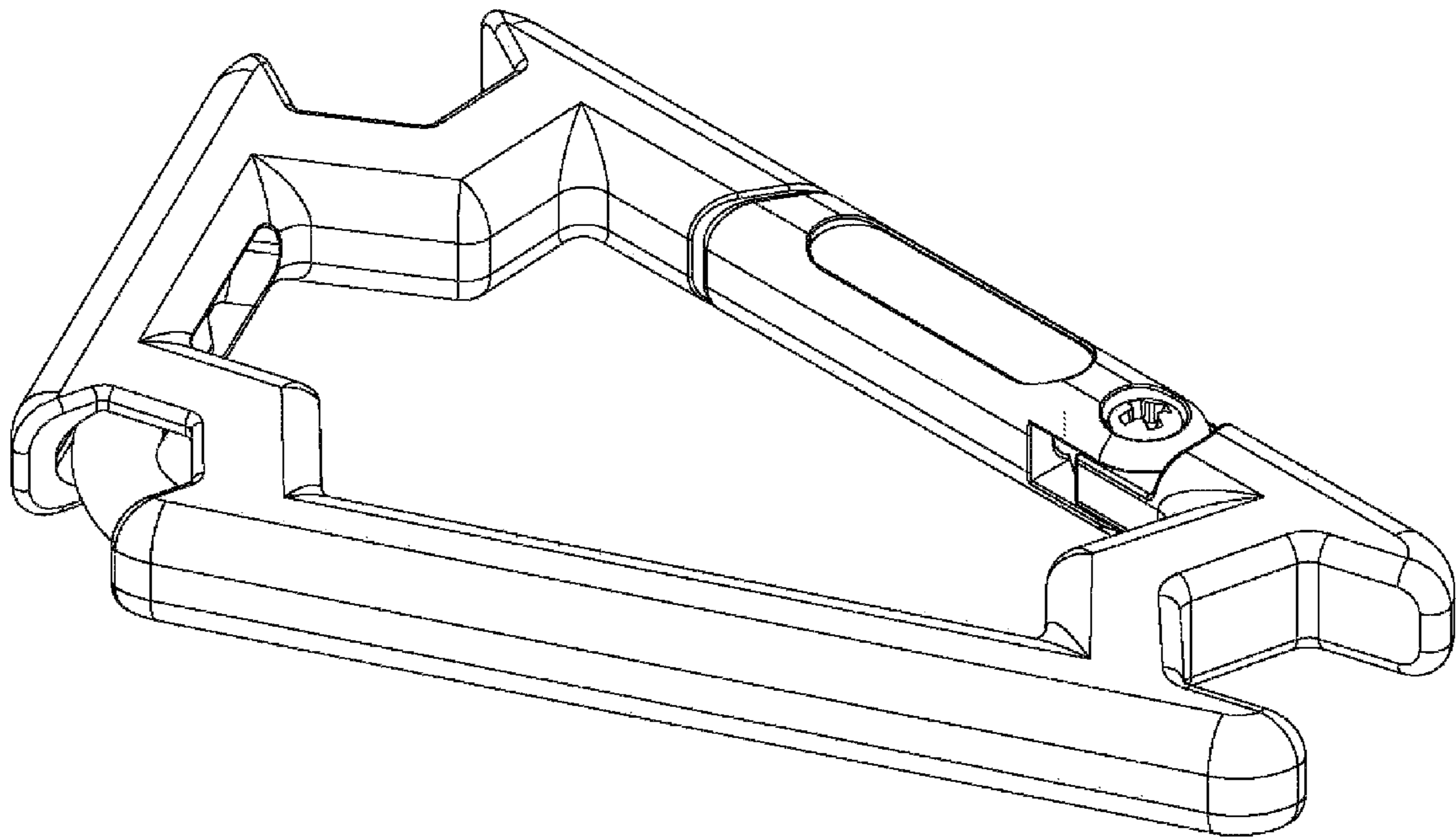


FIG. 1

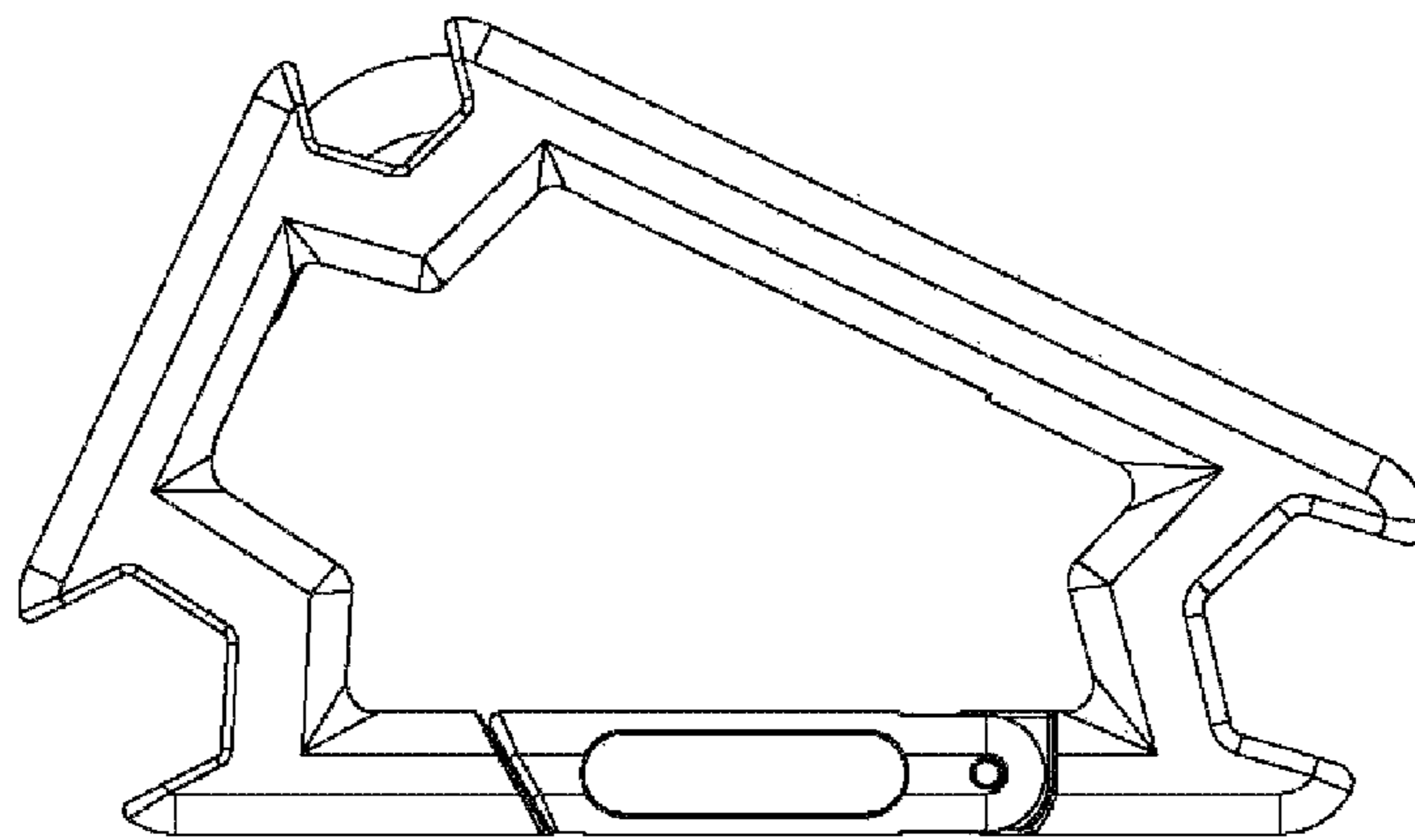


FIG. 2

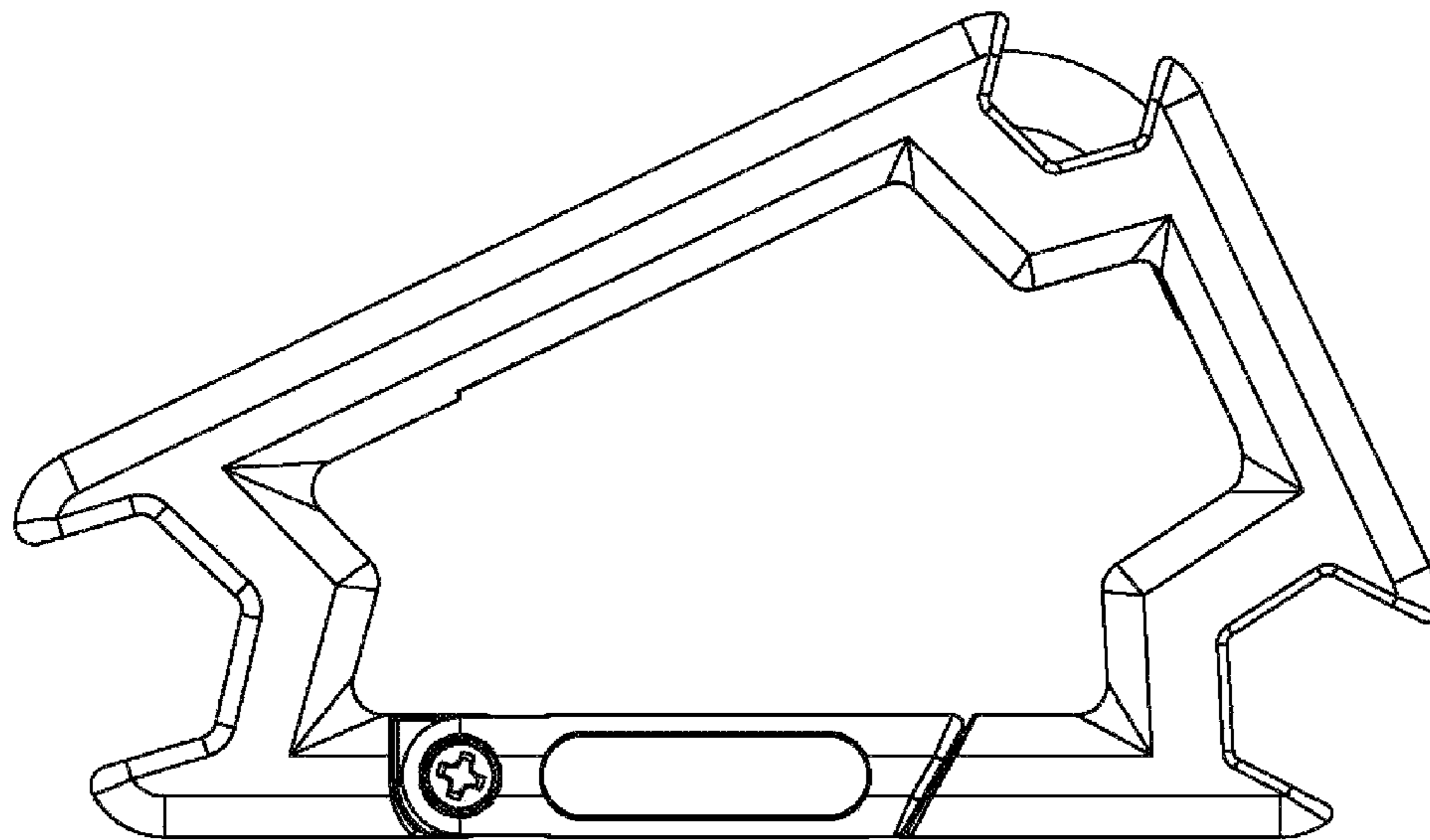


FIG. 3

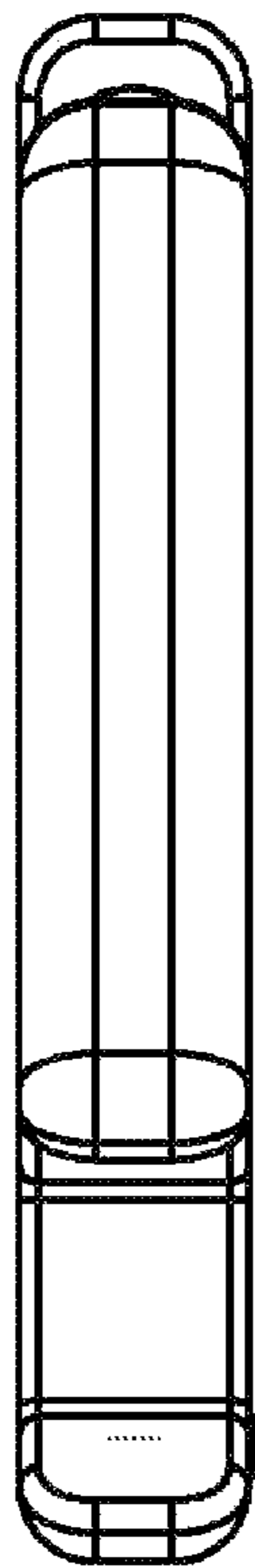


FIG. 4

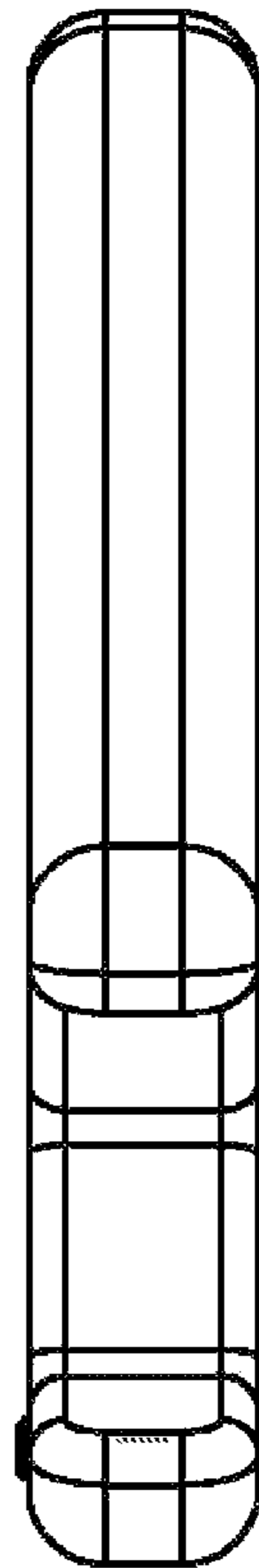


FIG. 5

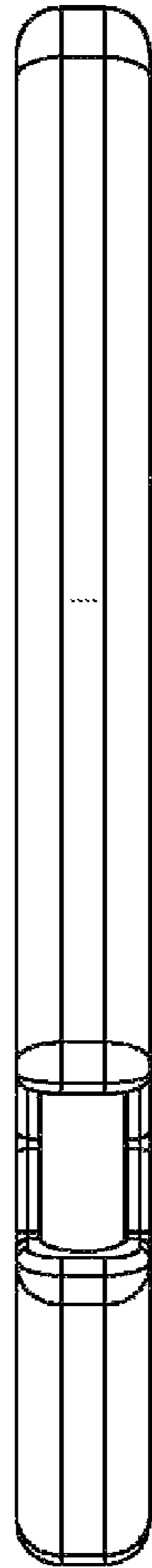


FIG. 6

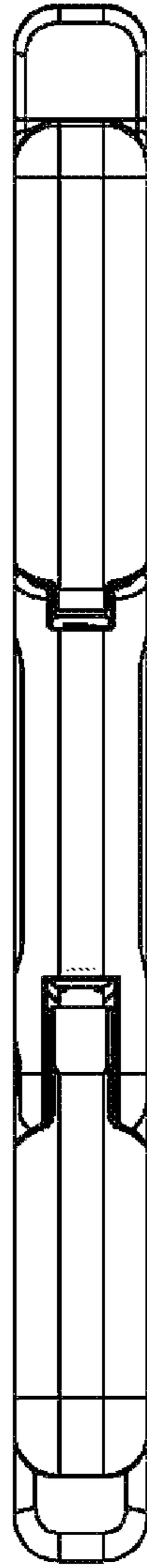


FIG. 7

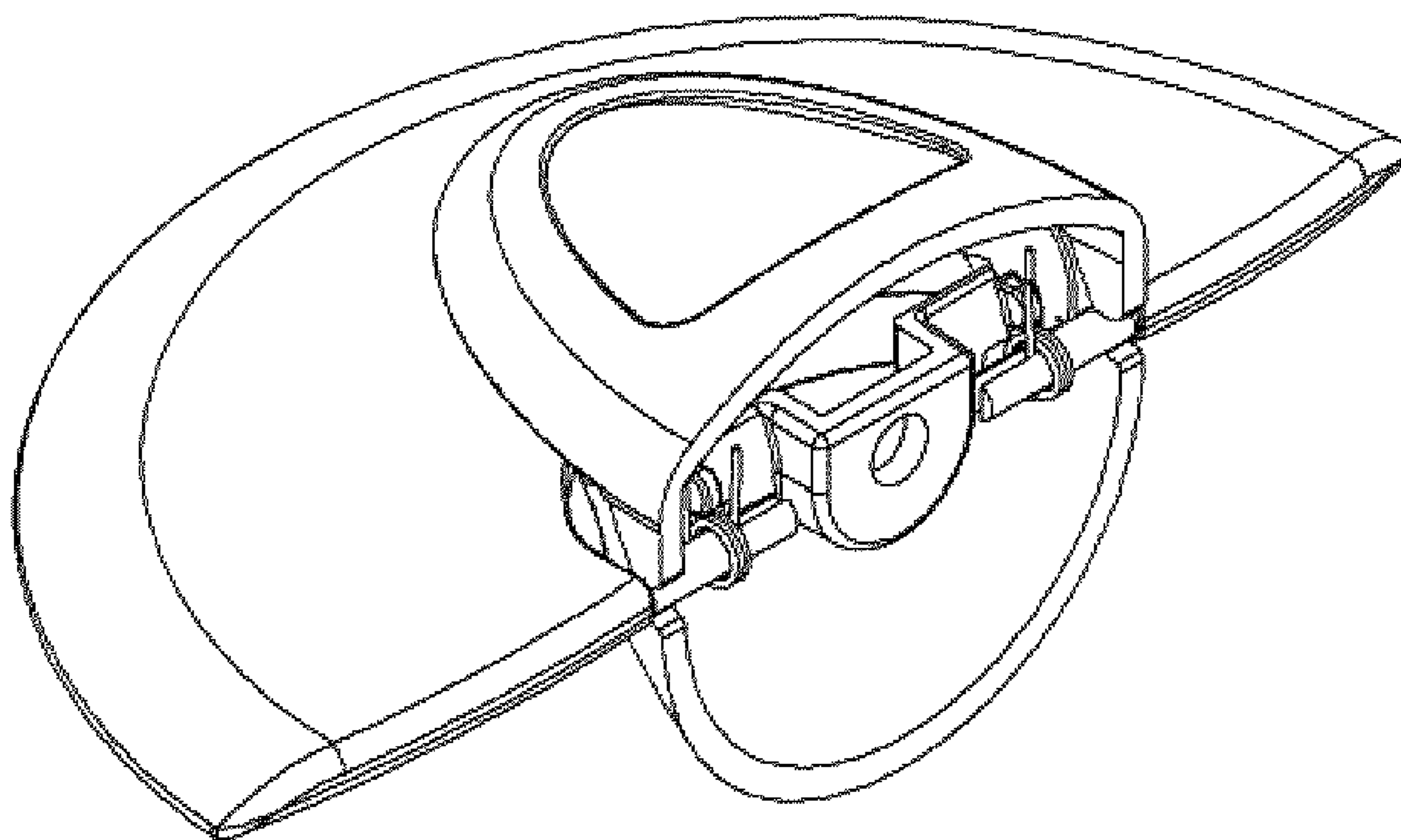


FIG. 8