



US00D620279S

(12) **United States Design Patent**
Lebon, III

(10) **Patent No.:** **US D620,279 S**
(45) **Date of Patent:** **** Jul. 27, 2010**

(54) **SOFA STANDING ASSISTING APPLIANCE**

(76) **Inventor:** **Harry M. Lebon, III**, 1126 Wharf Dr.,
Pasadena, MD (US) 21122

(**) **Term:** **14 Years**

(21) **Appl. No.:** **29/316,316**

(22) **Filed:** **Sep. 14, 2009**

(51) **LOC (9) Cl.** **06-04**

(52) **U.S. Cl.** **D6/462**

(58) **Field of Classification Search** D6/396,
D6/406.1, 454-465, 449, 491, 503; 5/100,
5/425; D34/5, 65; 248/95, 97, 99, 127, 150;
D3/7, 8, 10, 20, 318, 323; D12/130; 220/9.2,
220/9.3; D25/41, 45, 100; 211/60.1, 181.1,
211/119.006, 119.007, 119.011, 182; 482/10,
482/41; 242/129.5, 136

See application file for complete search history.

(56) **References Cited**

U.S. PATENT DOCUMENTS

- 4,705,246 A * 11/1987 Wolf 248/97
- D326,172 S * 5/1992 Biesele et al. D34/5
- D357,522 S * 4/1995 Garneau D21/771
- D357,827 S * 5/1995 Schultz D6/462

- D364,273 S * 11/1995 Miller, Jr. D3/318
- 5,463,784 A * 11/1995 Alpern 5/430
- D389,632 S * 1/1998 Reddin D34/6
- D433,856 S * 11/2000 Blum D6/503
- 6,289,539 B1 * 9/2001 Alpern 5/662
- 7,066,432 B2 * 6/2006 Wood et al. 248/99
- D605,871 S * 12/2009 Canley D6/403

* cited by examiner

Primary Examiner—Caron Veynar

Assistant Examiner—Abraham Bahta

(74) *Attorney, Agent, or Firm*—Richard L. Mikesell

(57) **CLAIM**

The ornamental design for a sofa standing assisting appliance, as shown and described.

DESCRIPTION

FIG. 1 is a top left perspective view of the sofa standing assisting appliance showing my new design;

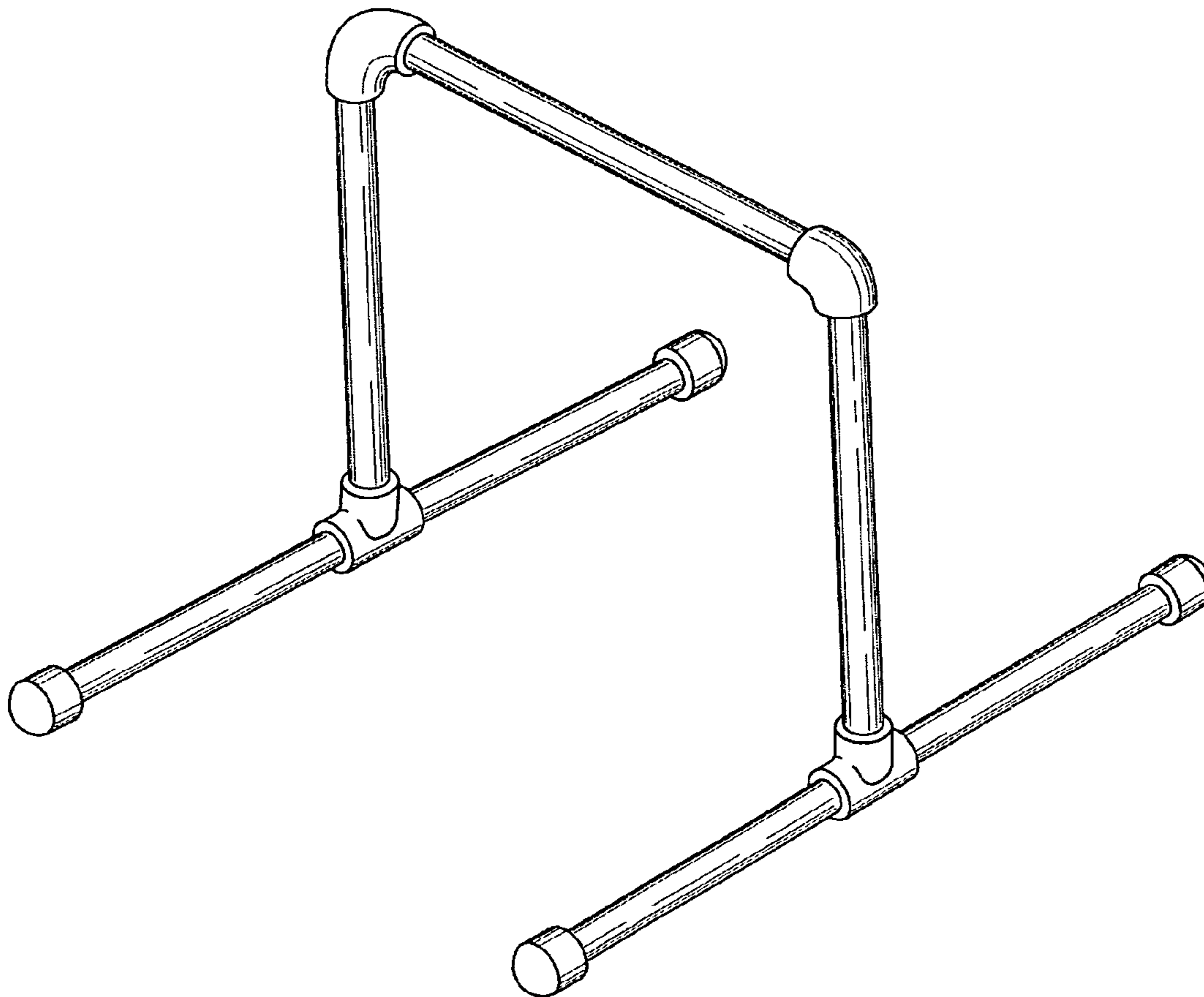
FIG. 2 is a bottom view thereof;

FIG. 3 is a top plan view thereof;

FIG. 4 is a front elevational view thereof; and,

FIG. 5 is a side elevational view thereof.

1 Claim, 3 Drawing Sheets



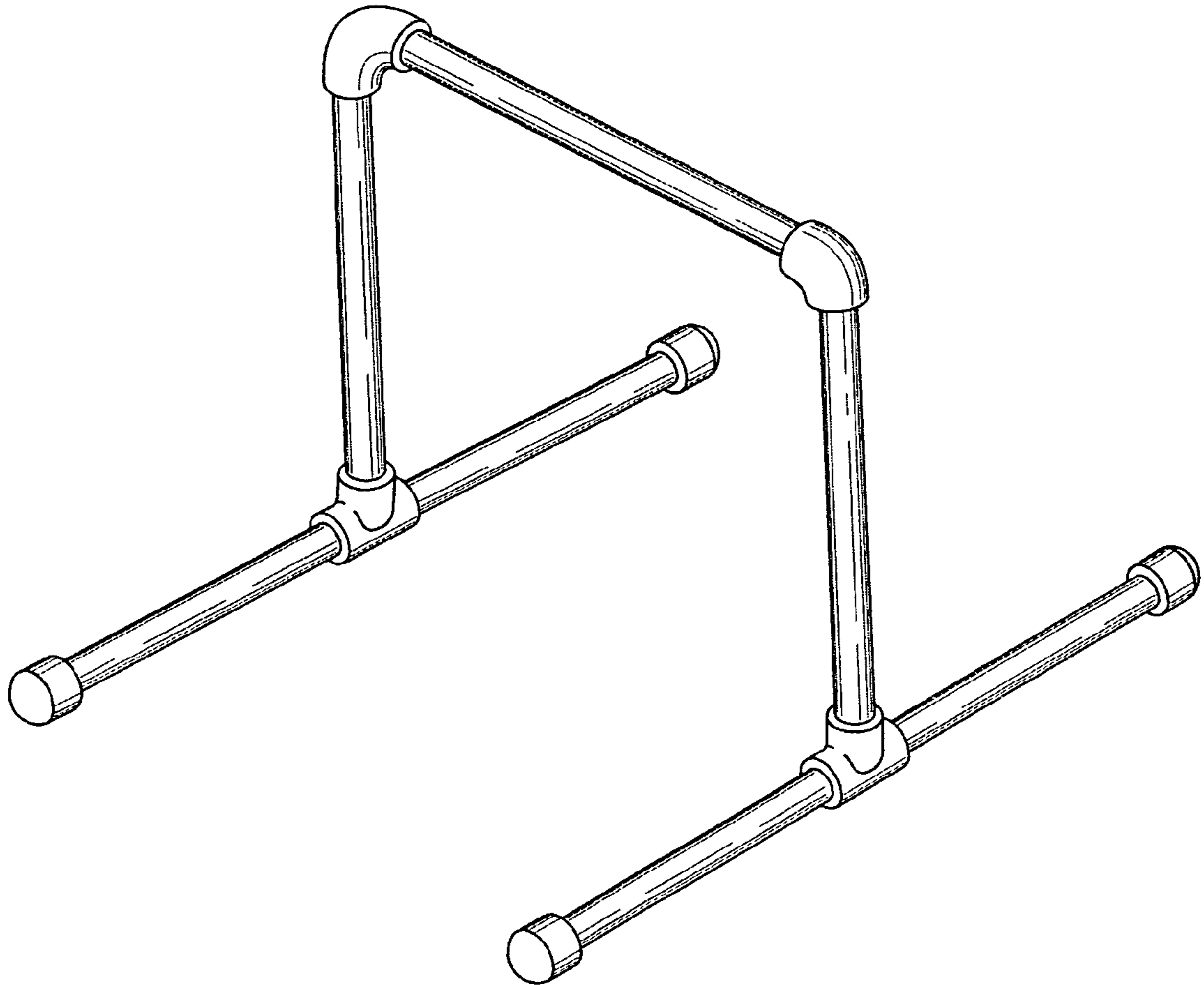


Fig. 1

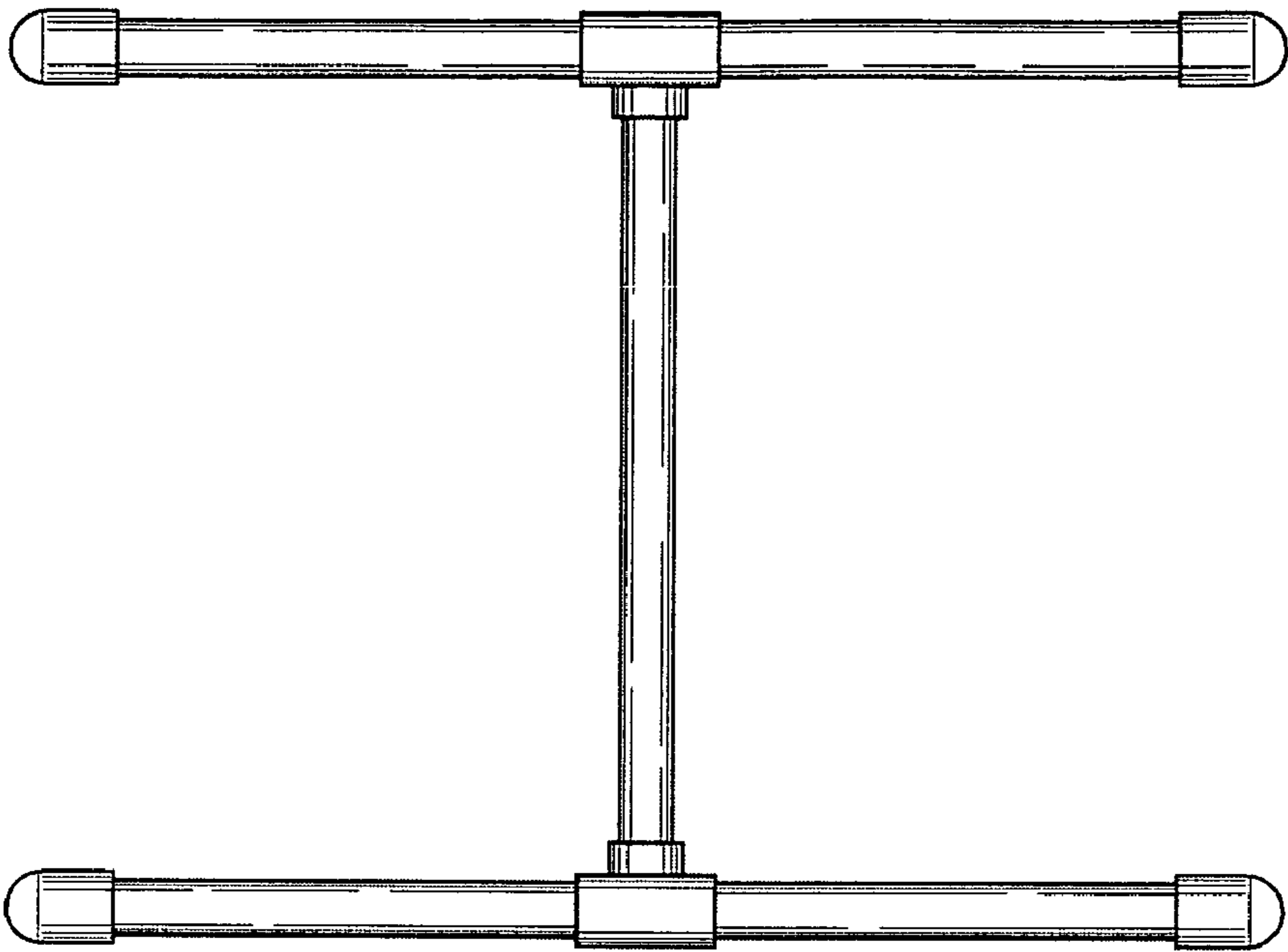


Fig. 2

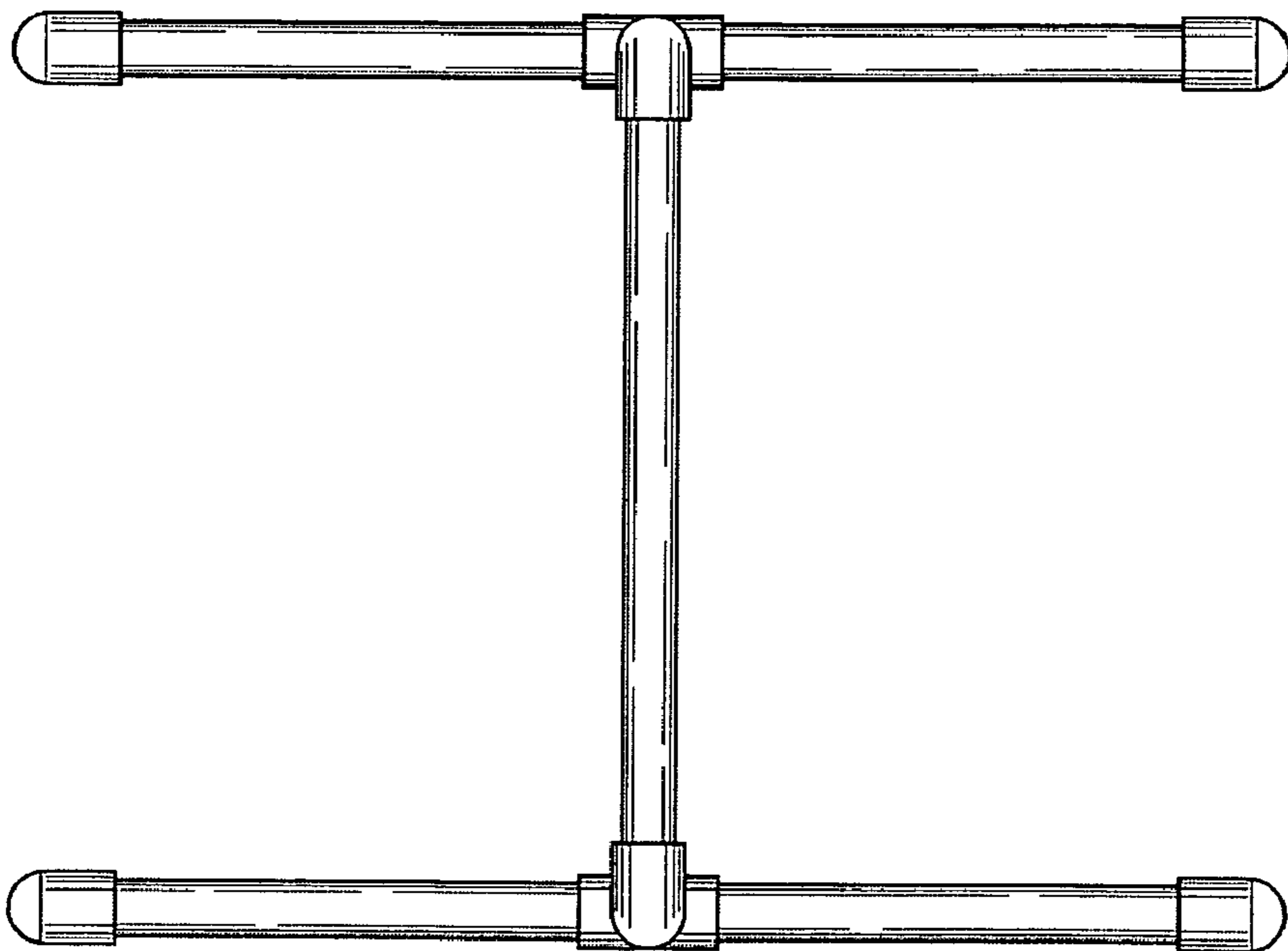


Fig. 3

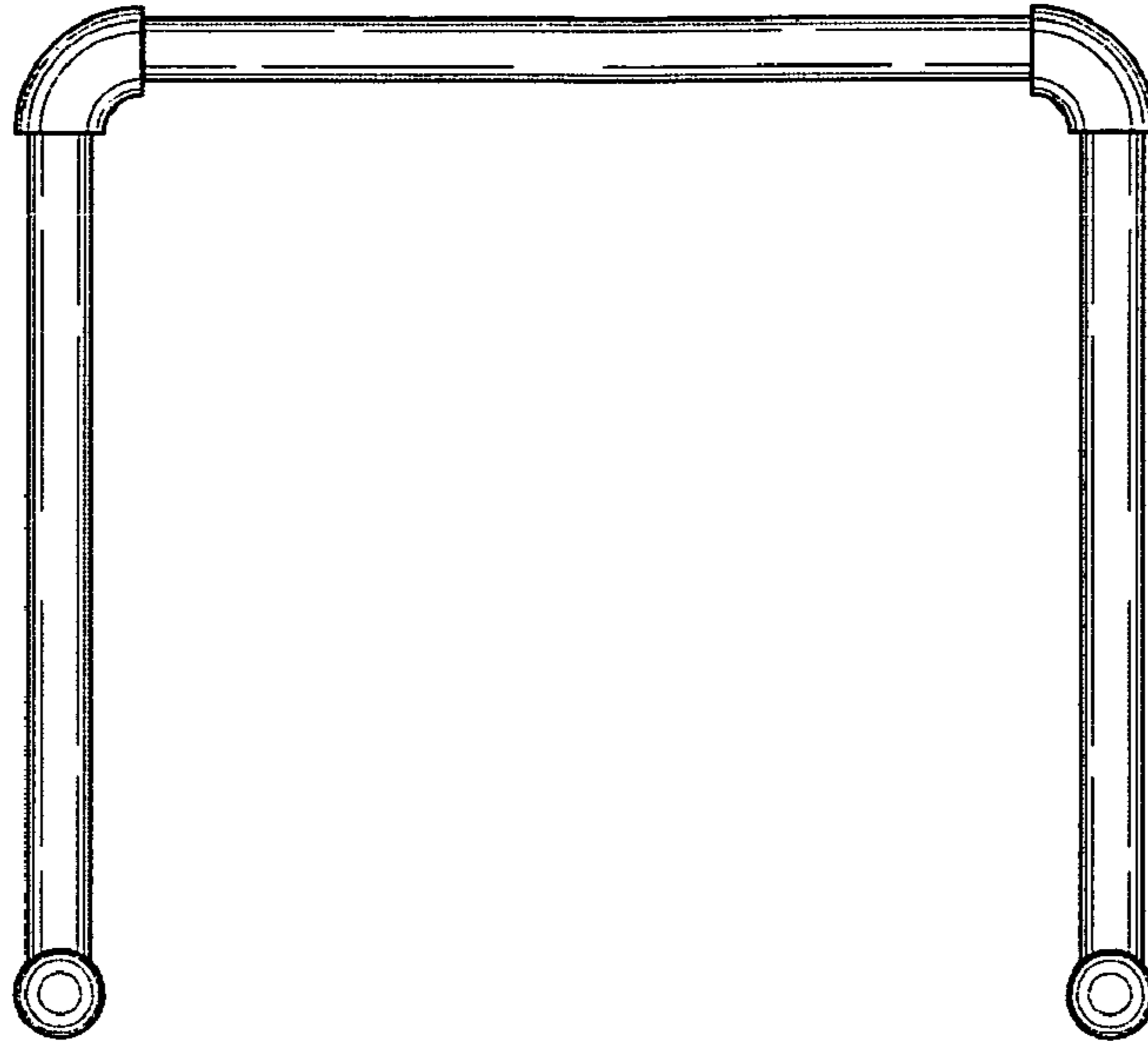


Fig. 4

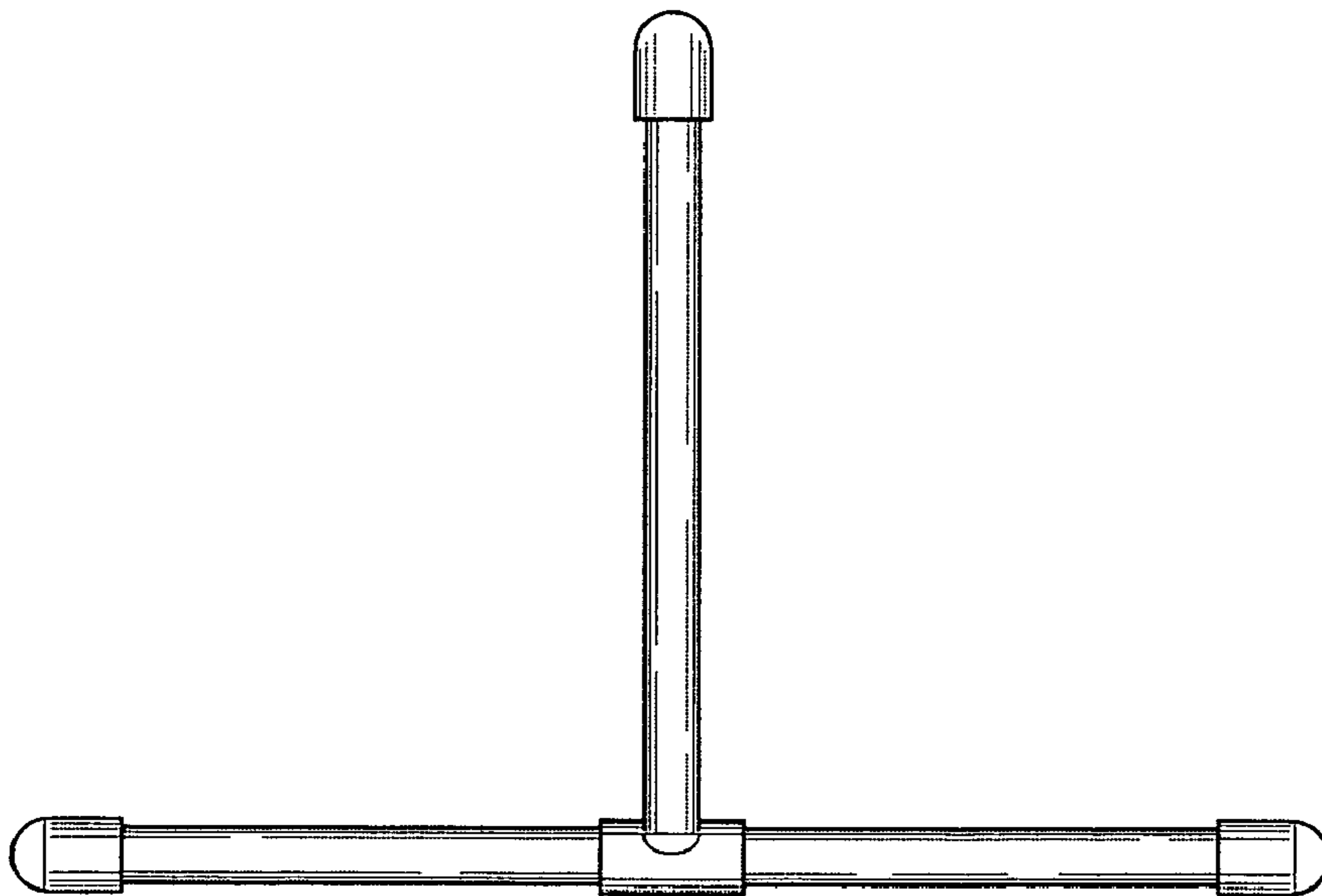


Fig. 5