



US00D620277S

(12) **United States Design Patent**  
**Wyatt**

(10) **Patent No.:** **US D620,277 S**  
(45) **Date of Patent:** **\*\* Jul. 27, 2010**

(54) **SPICE CABINET WITH WASHBOARD DOORS**

(76) Inventor: **Ernestine Wyatt**, 2142 N. Summer St., Pampa, TX (US) 79065

(\*\*) Term: **14 Years**

(21) Appl. No.: **29/344,107**

(22) Filed: **Sep. 23, 2009**

(51) **LOC (9) Cl.** ..... **06-04**

(52) **U.S. Cl.** ..... **D6/436; D6/441**

(58) **Field of Classification Search** ..... D6/397,  
D6/432, 433, 436-441, 445-448, 470, 472,  
D6/474, 477-479; 312/109, 114, 138.1,  
312/204, 224, 237, 240, 257.1, 278, 279,  
312/321, 324, 326

See application file for complete search history.

(56) **References Cited**

**U.S. PATENT DOCUMENTS**

D115,145 S *	6/1939	Dillon	.....	D6/436
D141,016 S *	4/1945	Stanitz	.....	D6/436
D150,053 S *	6/1948	Brunmark	.....	D6/436
D354,638 S *	1/1995	Todd et al.	.....	D6/433
D358,046 S *	5/1995	Ferguson	.....	D6/437
D494,385 S *	8/2004	Mitchell	.....	D6/470
D496,538 S *	9/2004	Peterson et al.	.....	D6/441
D519,748 S *	5/2006	Katz et al.	.....	D6/438
D527,204 S *	8/2006	O'Hare	.....	D6/441
D578,319 S *	10/2008	Lim	.....	D6/441
D586,580 S *	2/2009	Lim	.....	D6/441

\* cited by examiner

*Primary Examiner*—Mimosa De

(74) *Attorney, Agent, or Firm*—Russ Weinzimmer; Russ Weinzimmer & Associates

(57) **CLAIM**

The ornamental design for a spice cabinet with washboard doors, as shown and described.

**DESCRIPTION**

FIG. 1 is an oblique front view of a spice cabinet with two closed washboard doors, the spice cabinet including outer shelving on either side of the set of the washboard doors.

FIG. 2 is an alternate oblique front view of the spice cabinet with the left washboard door opened, thereby revealing shelving inside the spice cabinet.

FIG. 3 is the oblique front view of FIG. 1, showing the spice cabinet with the left washboard door opened, so as to show the inside of the left washboard door.

FIG. 4 is the oblique front view of FIG. 1, showing the spice cabinet with both the left and right washboard doors opened, further showing the inside of right door, and revealing the shelving inside the spice cabinet.

FIG. 5 is an alternate oblique front view of the spice cabinet as shown in FIG. 4.

FIG. 6 is an oblique rear view of the spice cabinet with both washboard doors closed.

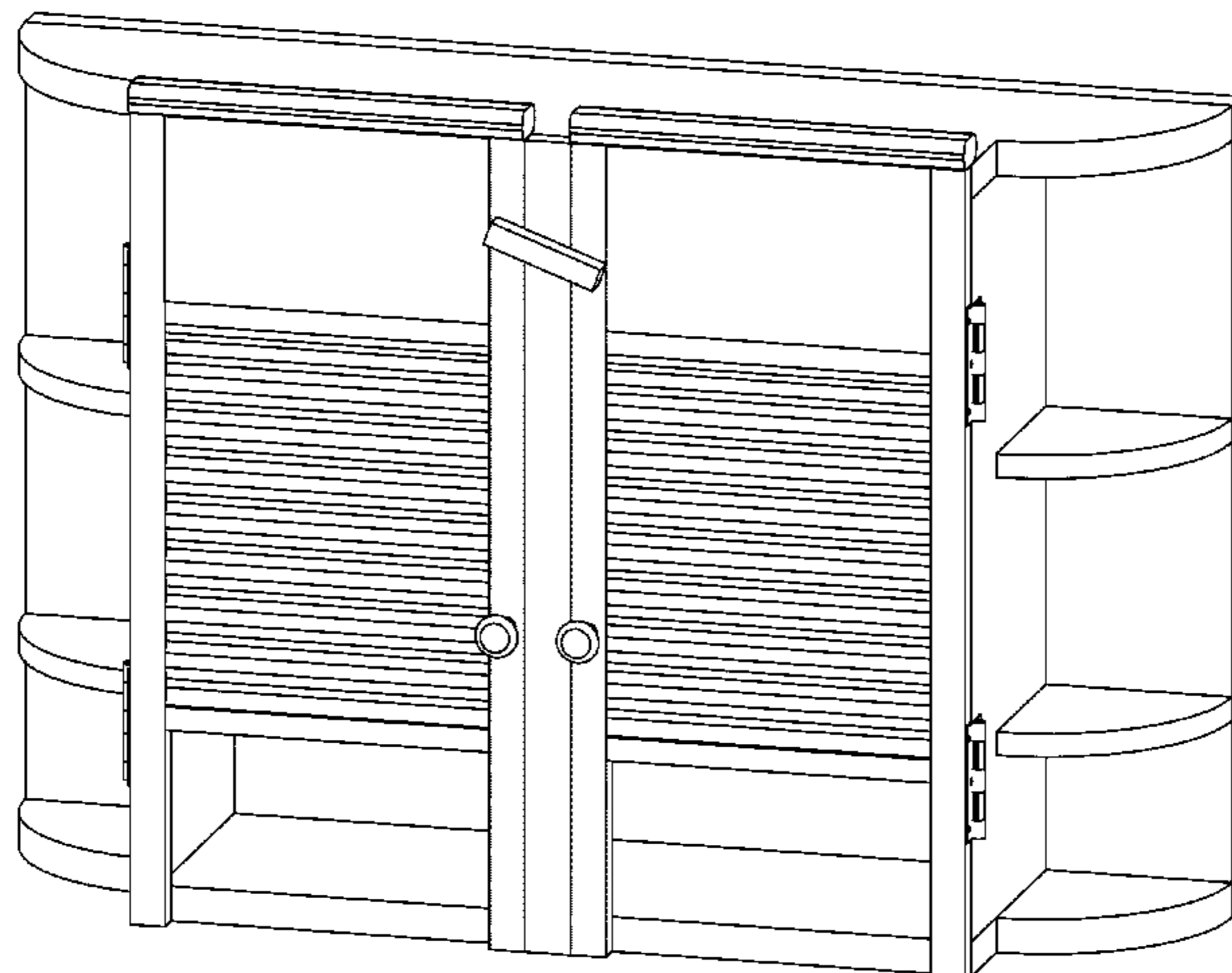
FIG. 7 is the oblique rear view of FIG. 6, with the left washboard door opened.

FIG. 8 is an alternate oblique rear view of the spice cabinet as shown in FIG. 7; and,

FIG. 9 is the oblique rear view of FIG. 8, with both the left and right washboard doors opened.

The spice cabinet with washboard doors is for storage of items such as consumable items, for example spices, herbs and other condiments. The spice cabinet includes a left door and a right door, each door resembling or made from a washboard. There is shelving on each side of the pair of doors. There is also shelving within the cabinet. The bottom of each door underneath the ribbed section of the washboard is open. The interior of the spice cabinet is partially viewable through the open section of each door. Both the top and the bottom of the spice cabinet are flat surfaces without any ornamentation.

**1 Claim, 9 Drawing Sheets**



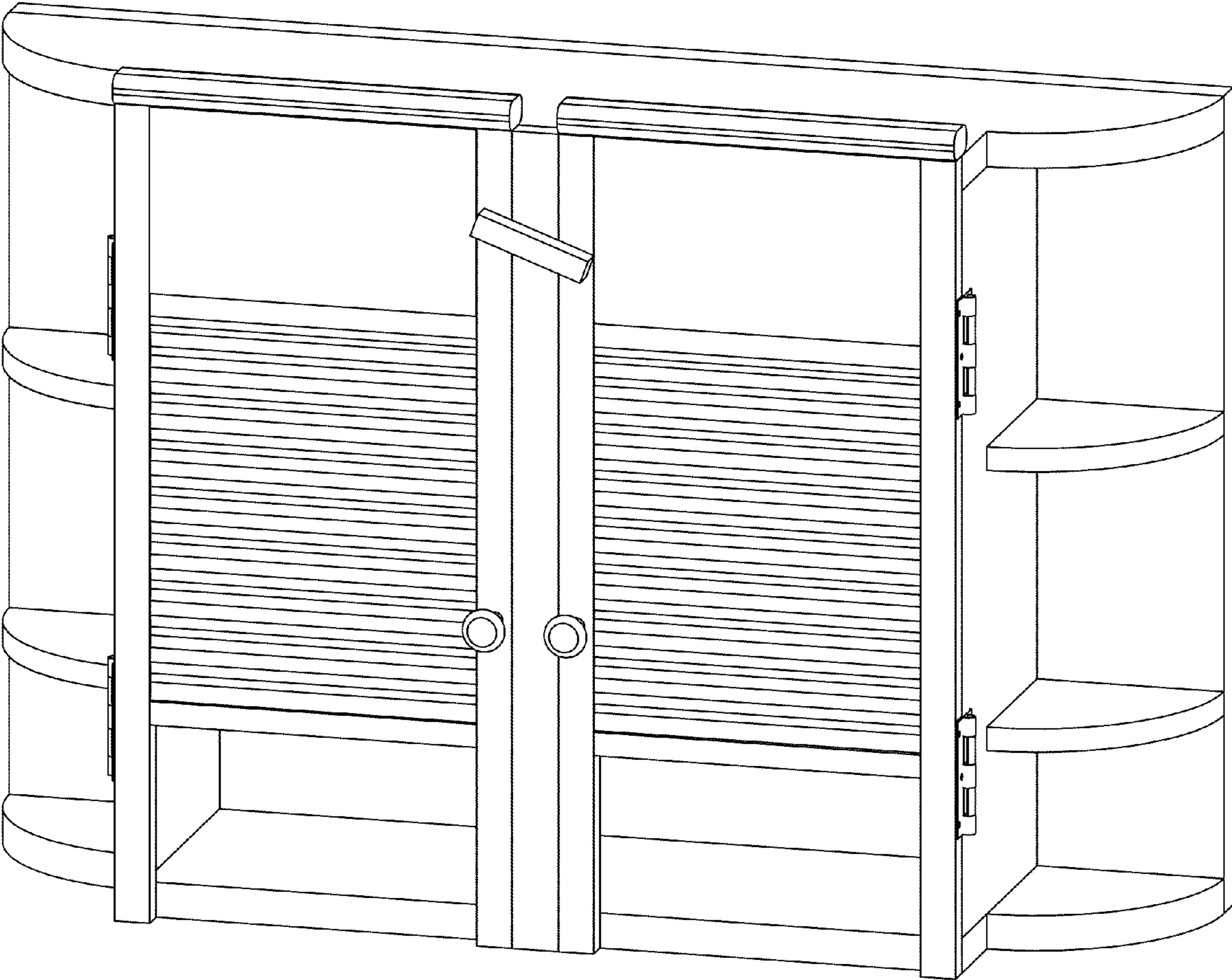


FIG. 1

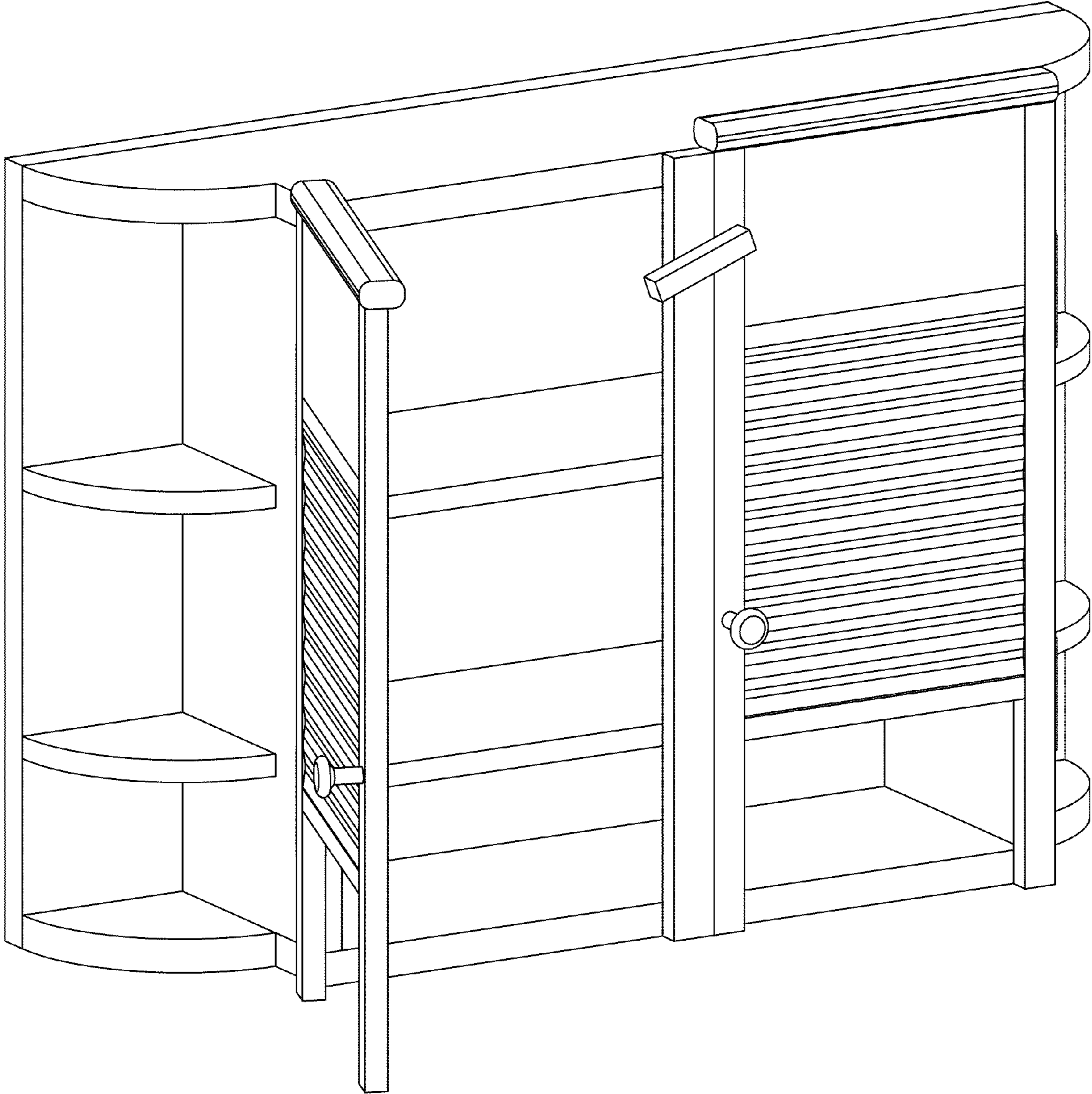


FIG. 2

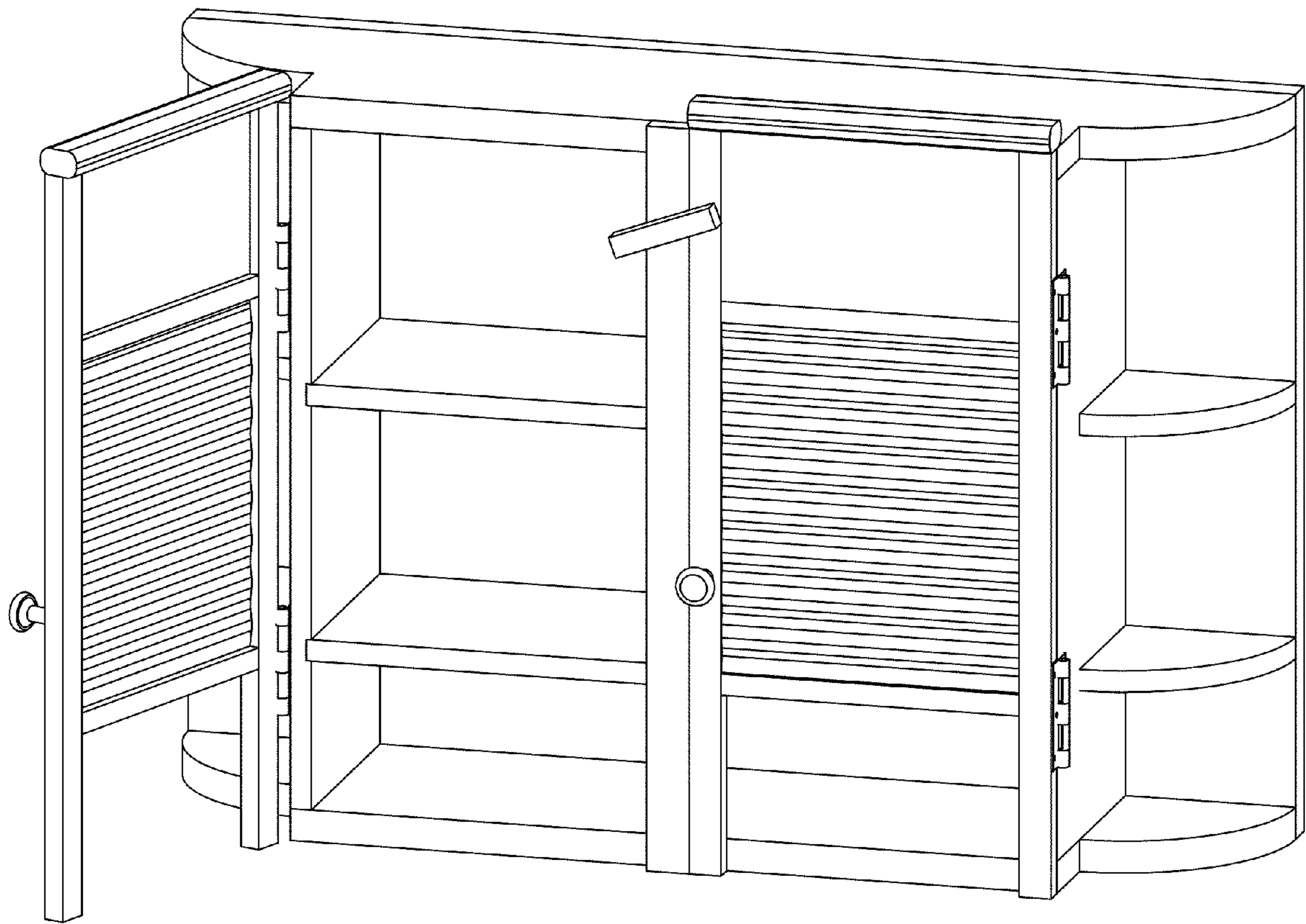


FIG. 3

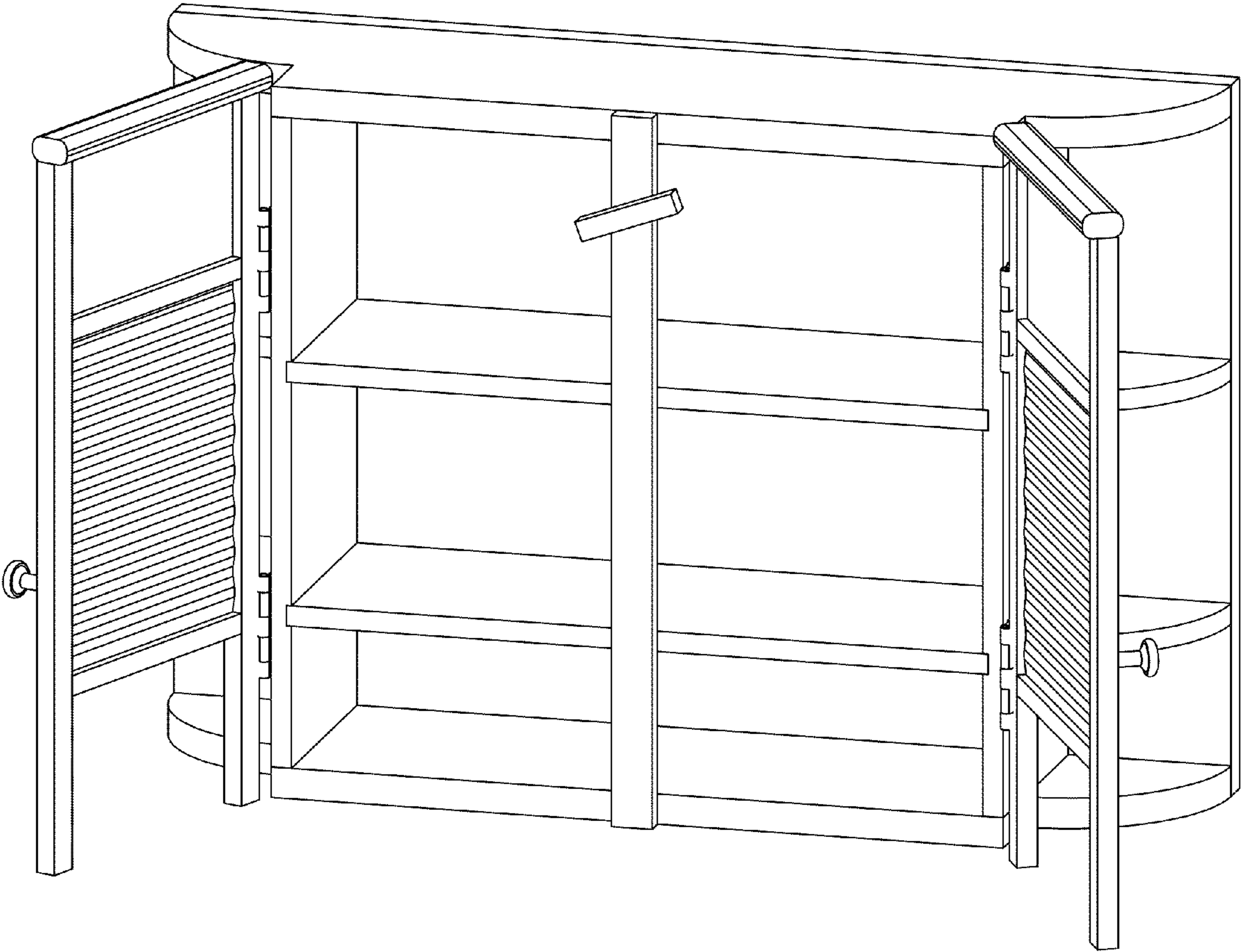


FIG. 4

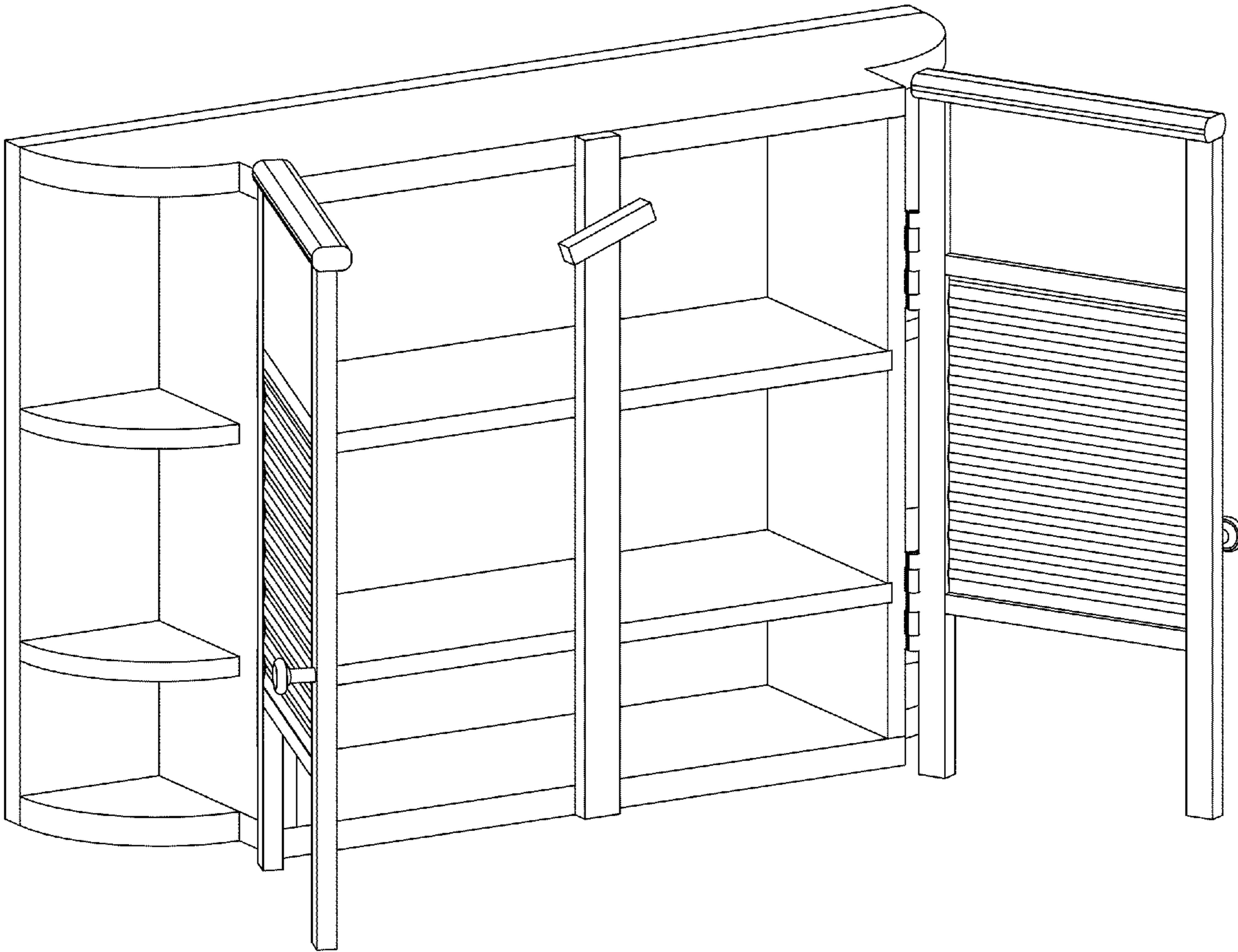


FIG. 5

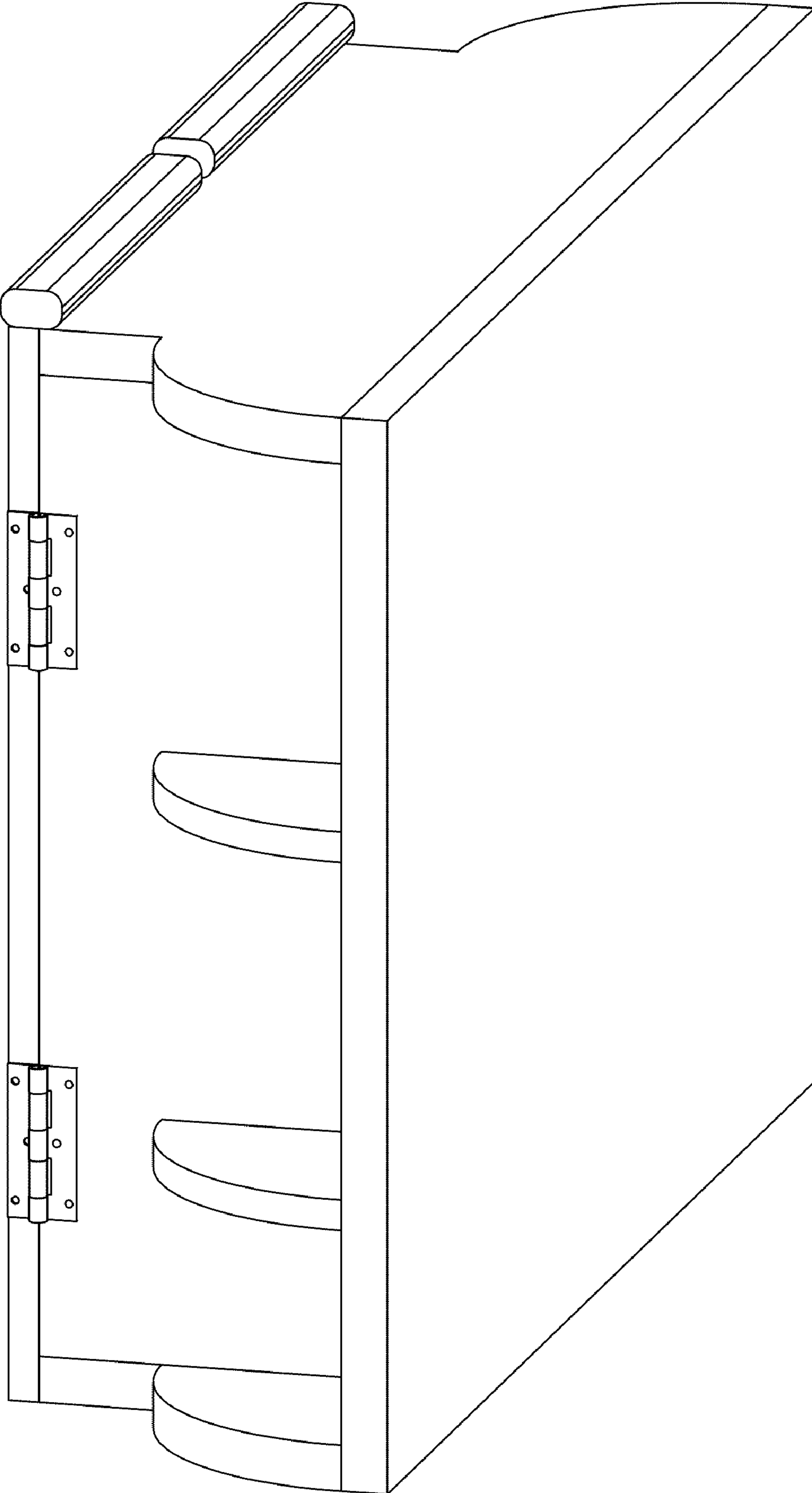


FIG. 6

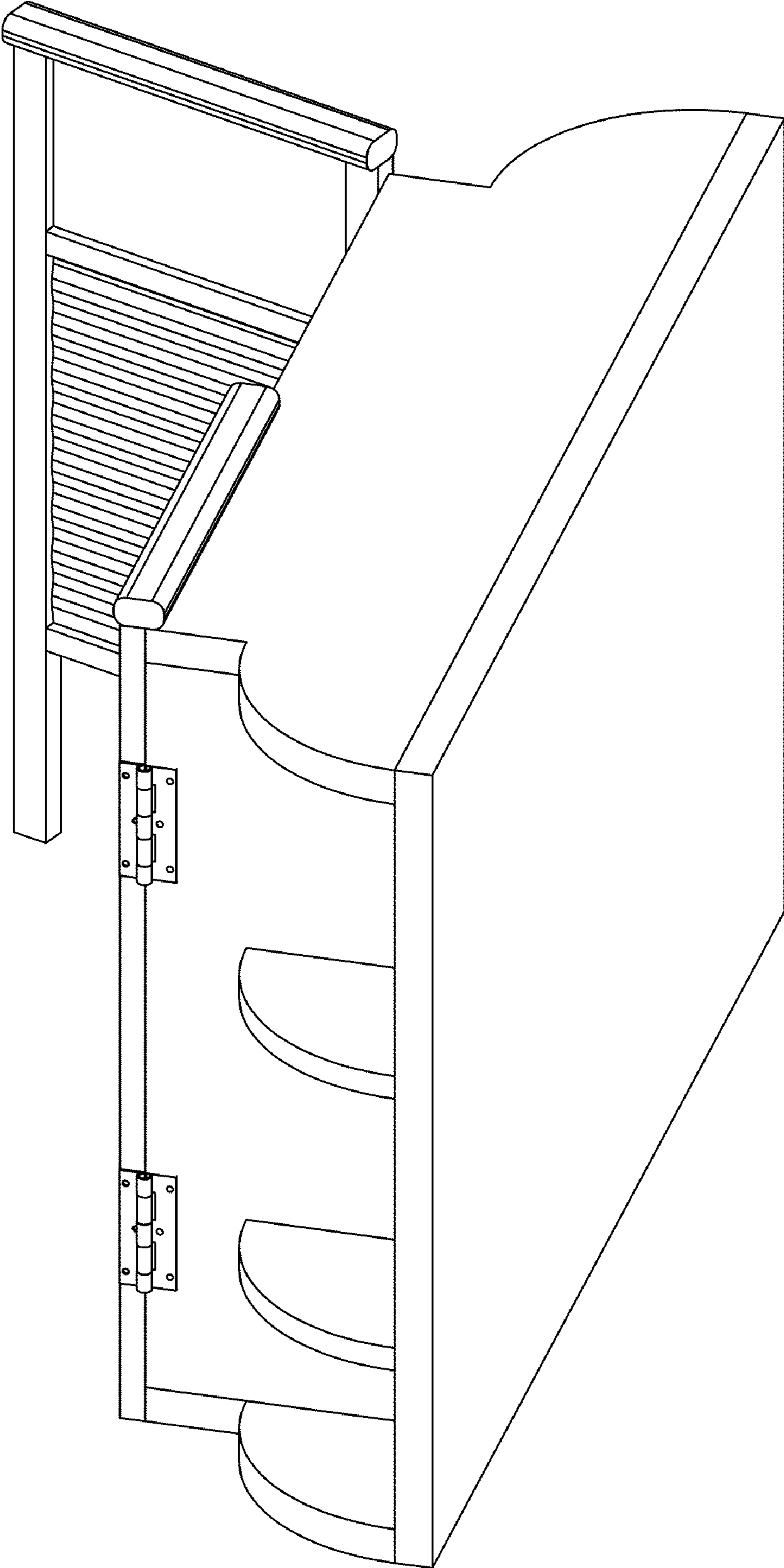


FIG. 7



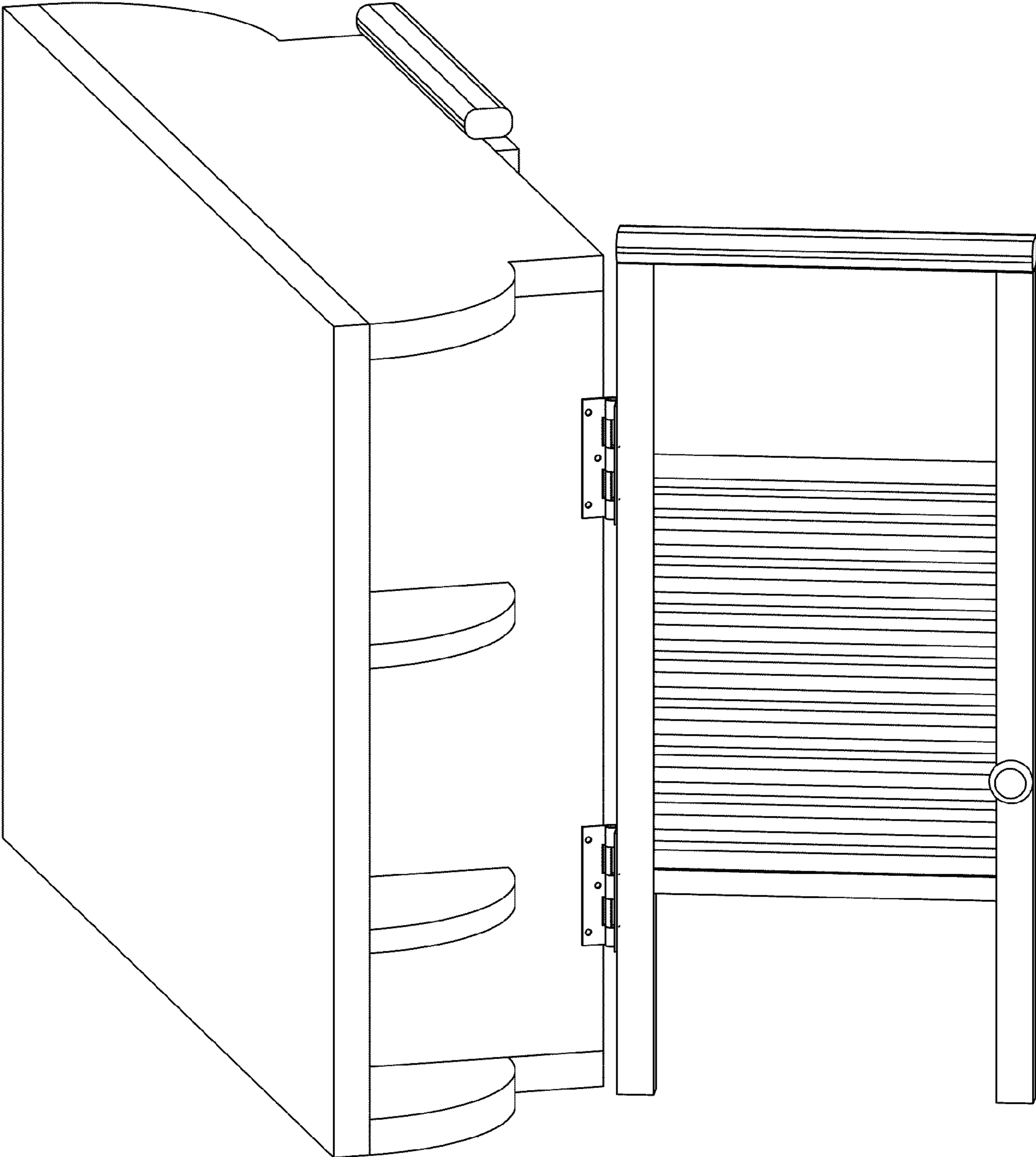


FIG. 8

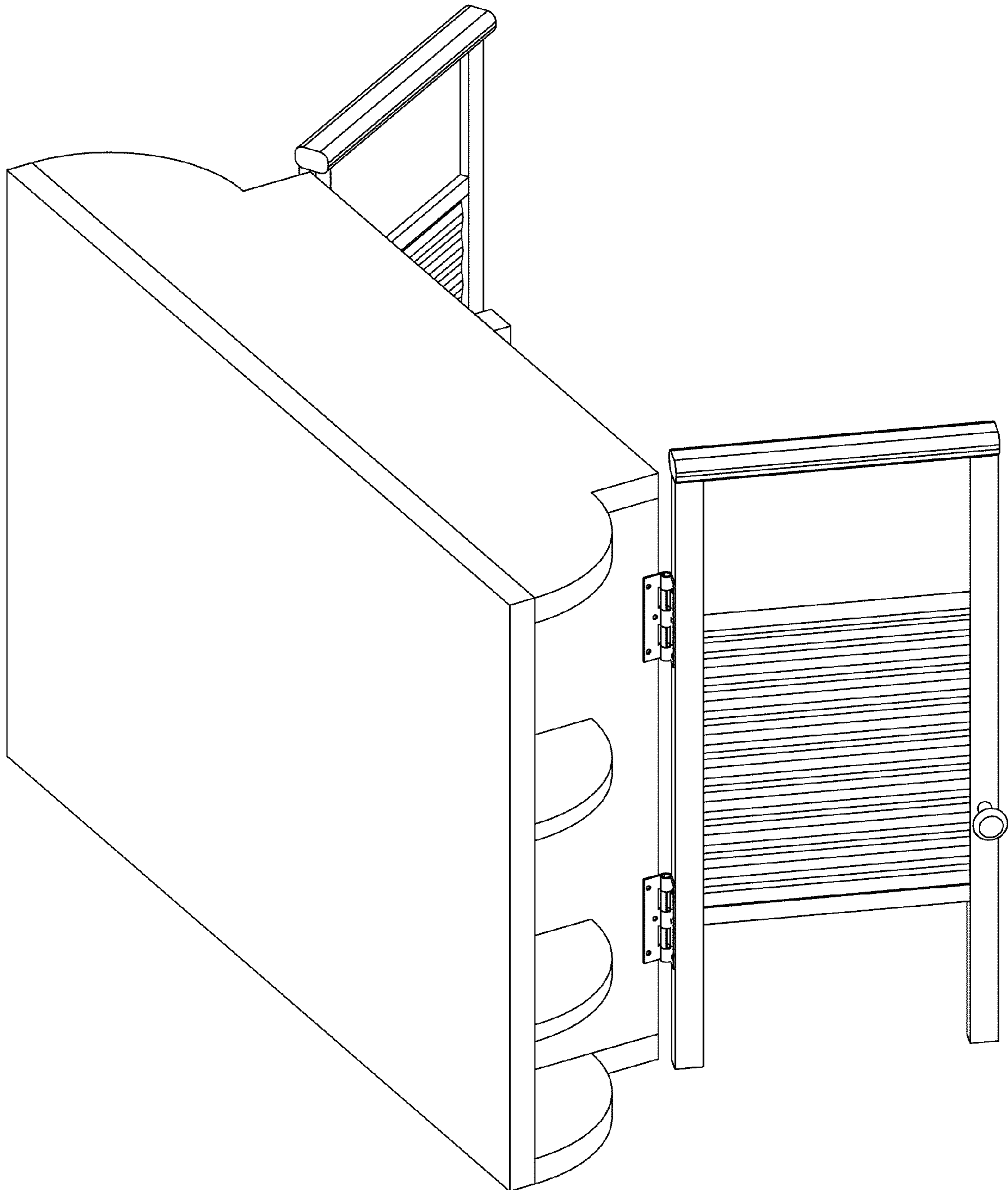


FIG. 9