



US00D620276S

(12) **United States Design Patent**
Miller

(10) **Patent No.:** **US D620,276 S**

(45) **Date of Patent:** **** Jul. 27, 2010**

- (54) **MOBILITY ASSISTANCE DEVICE**
- (75) Inventor: **F. Troy Miller**, Logan, UT (US)
- (73) Assignee: **Stander, Inc.**, Logan, UT (US)
- (**) Term: **14 Years**
- (21) Appl. No.: **29/335,369**
- (22) Filed: **Apr. 14, 2009**

- (51) **LOC (9) Cl.** **06-02**
- (52) **U.S. Cl.** **D6/406.2**
- (58) **Field of Classification Search** D6/406.1-406.6,
D6/421, 422; D3/274; D19/91; 108/43,
108/115; 434/432

See application file for complete search history.

(56) **References Cited**

U.S. PATENT DOCUMENTS

4,077,333 A * 3/1978 Ballas 108/6
D261,837 S * 11/1981 Sonder et al. D6/406.2
D292,956 S * 12/1987 Inoue et al. D6/449
D295,348 S * 4/1988 Muller D6/406.2
5,374,019 A * 12/1994 Fischer 248/125.7
D375,641 S * 11/1996 Dhanapal et al. D6/486
5,746,334 A * 5/1998 Brandenburg 211/205
D418,997 S * 1/2000 Leveen et al. D6/429
6,224,026 B1 * 5/2001 Dubois 248/118.3
6,240,856 B1 * 6/2001 Paskey et al. 108/146
D467,754 S * 12/2002 Chen D6/429
6,688,634 B2 * 2/2004 Noffsinger 280/651
D588,829 S * 3/2009 Rheault et al. D6/406.1

2007/0234934 A1* 10/2007 Branch et al. 108/115

OTHER PUBLICATIONS

Standers, Inc.; 'Empowering The World to Its Feet', CouchCane. Web advertisement Oct. 2006. <http://web.archive.org/web/20050407230811/stander.com/web/couchcane.htm>.

* cited by examiner

Primary Examiner—Ian Simmons

Assistant Examiner—Charles D Hanson

(74) *Attorney, Agent, or Firm*—Stoel Rives LLP

(57) **CLAIM**

The ornamental design for a mobility assistance device, substantially as shown and described.

DESCRIPTION

FIG. 1 is a perspective view of one embodiment of a mobility assistance device.

FIG. 2 is a front elevation view of the mobility assistance device of FIG. 1.

FIG. 3 is a side elevation view of the mobility assistance device of FIG. 1.

FIG. 4 is a top plan view of the mobility assistance device of FIG. 1.

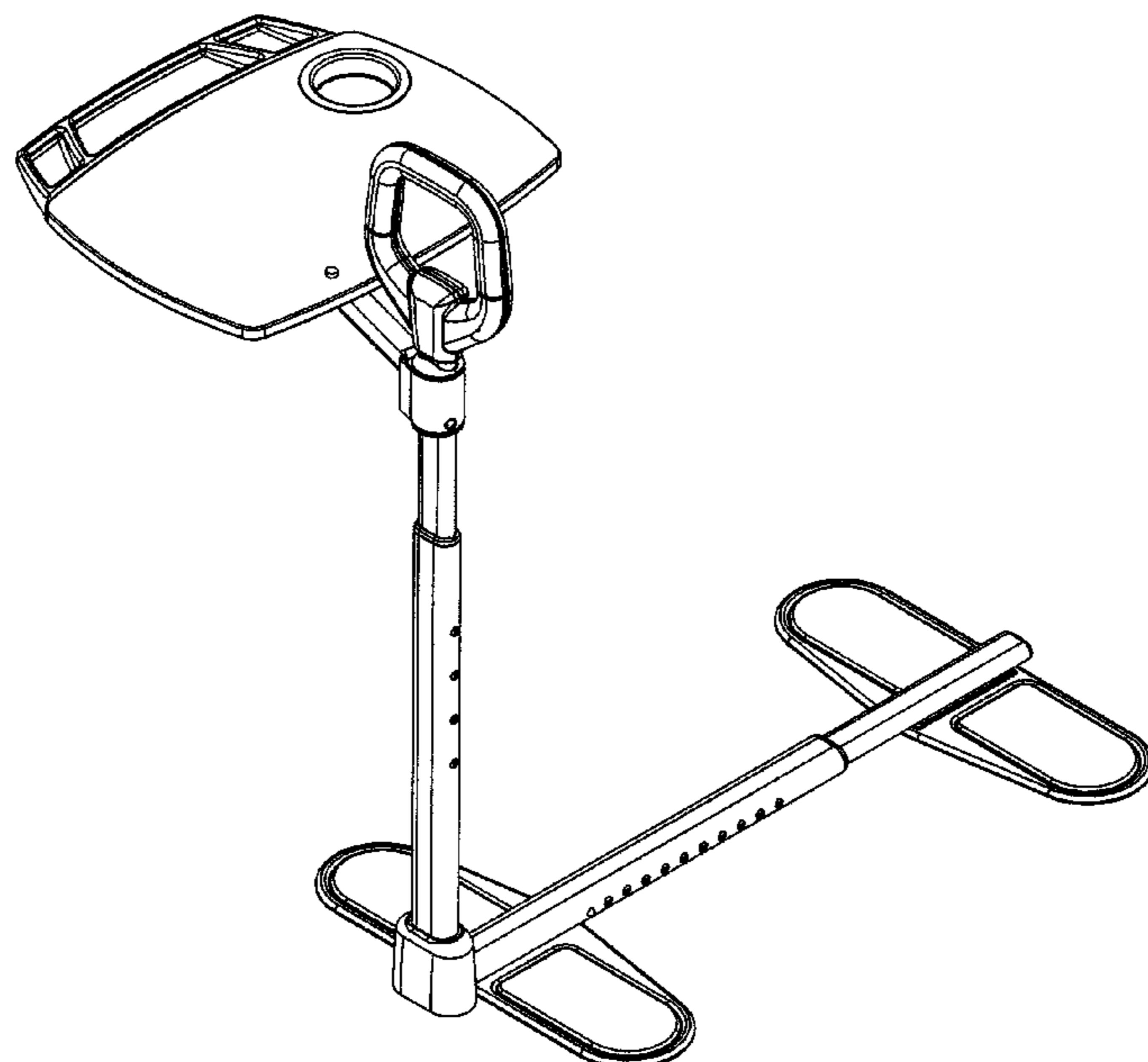
FIG. 5 is a bottom plan view of the mobility assistance device of FIG. 1.

FIG. 6 is a perspective view of the mobility assistance device shown with the tray in an operative condition; and,

FIG. 7 is a perspective view of the mobility assistance device shown, with the tray in disposed in a position allowing ingress or egress.

The portions of the drawings shown in broken lines form no part of the claimed design.

1 Claim, 7 Drawing Sheets



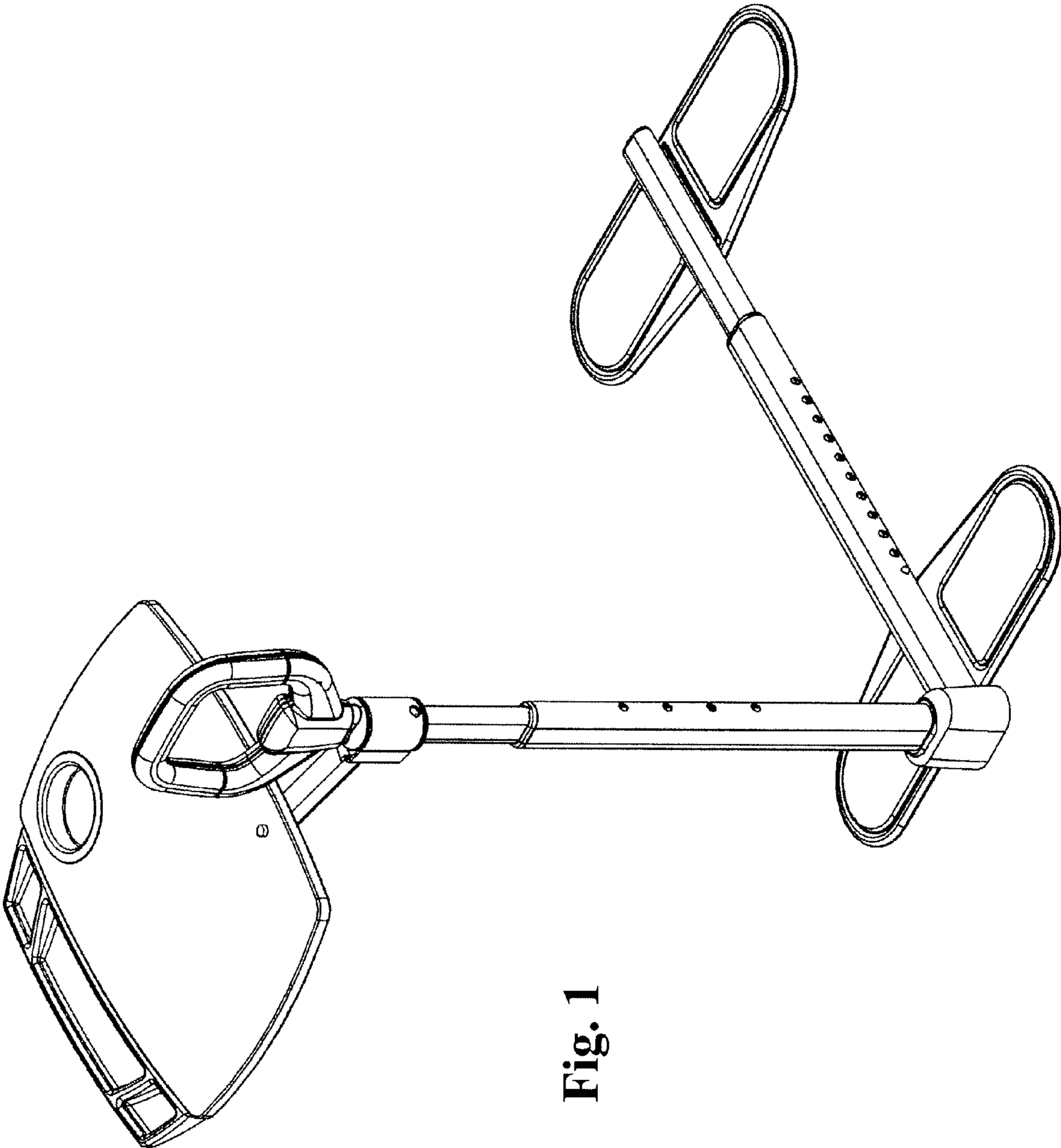


Fig. 1

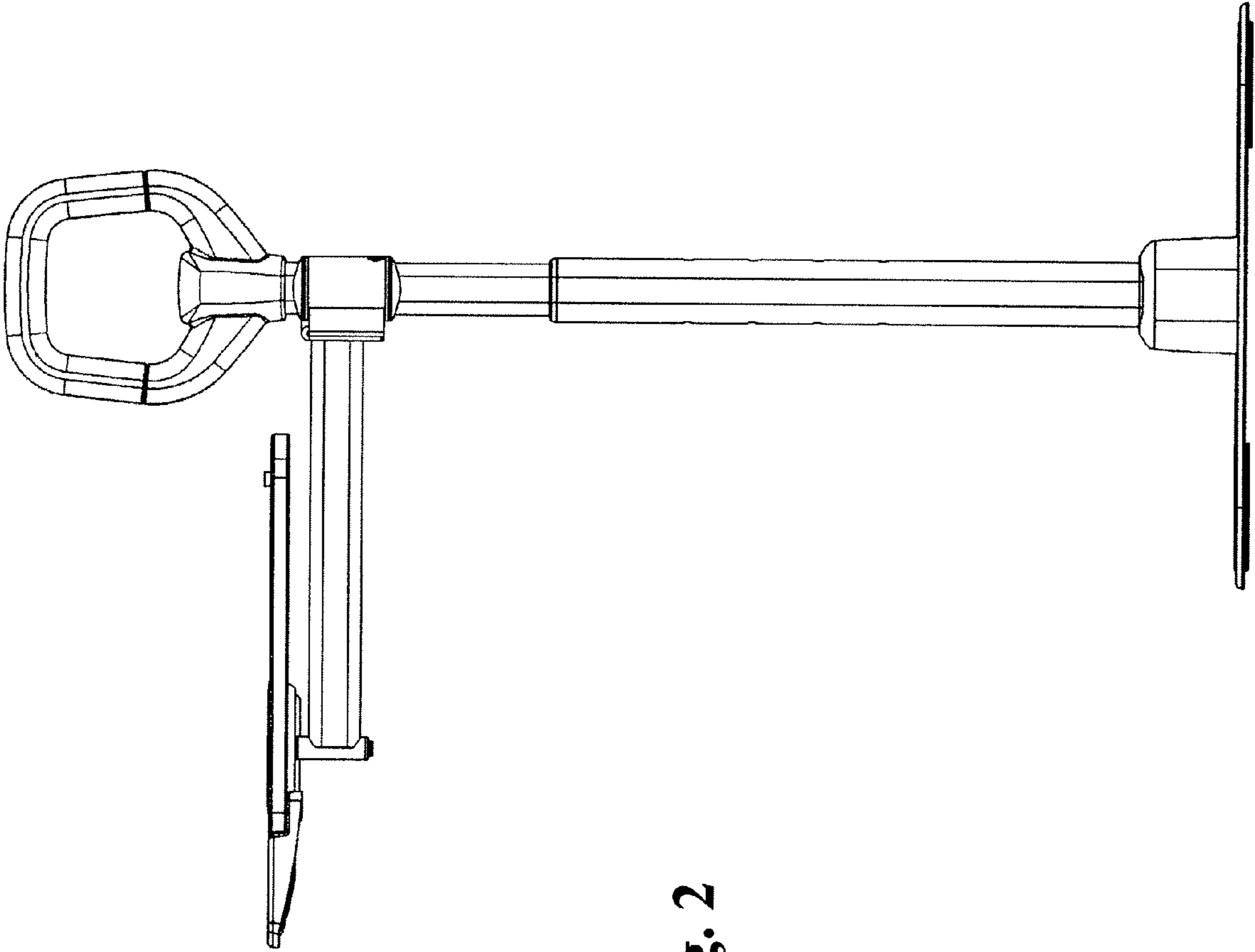


Fig. 2

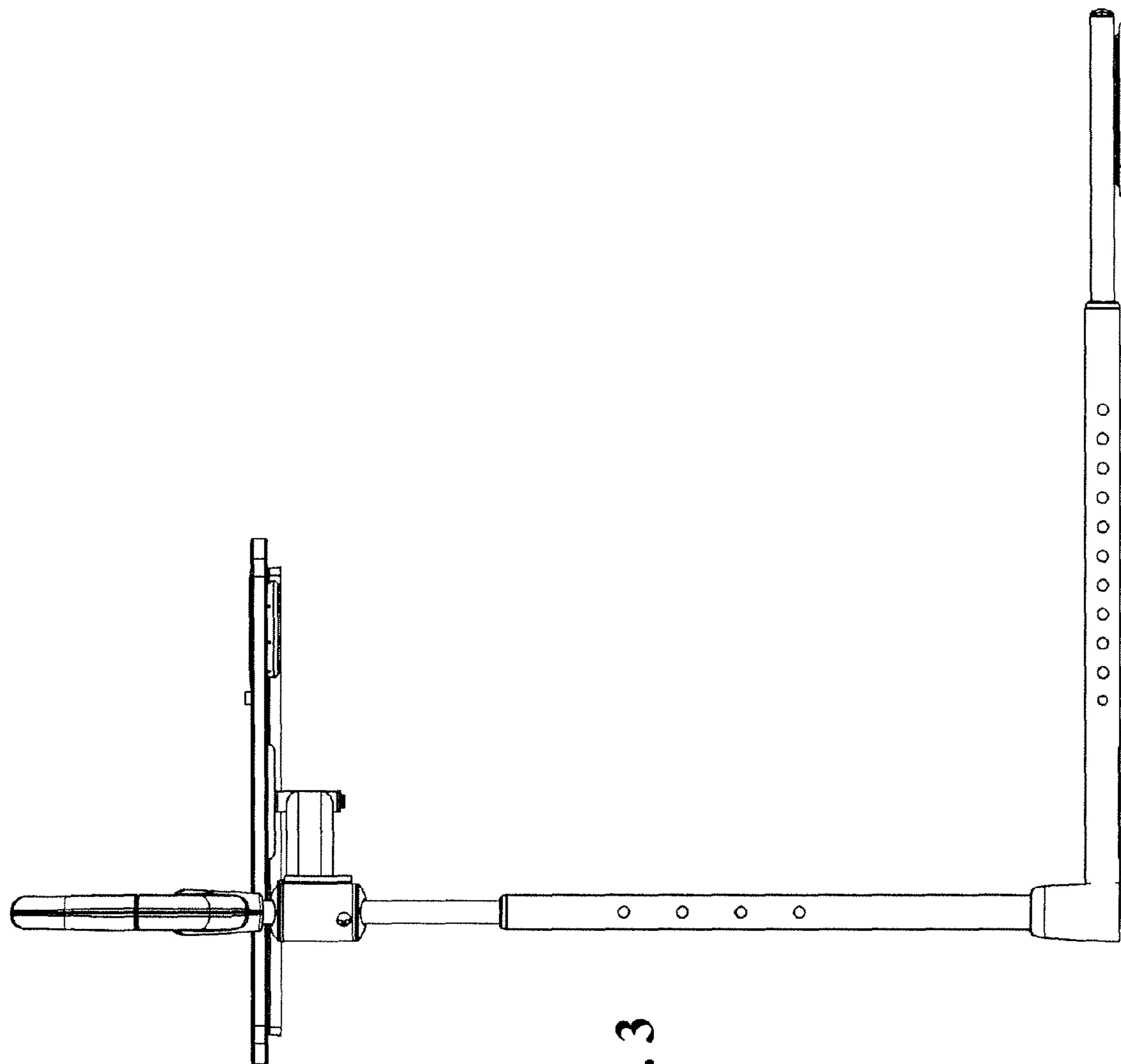


Fig. 3

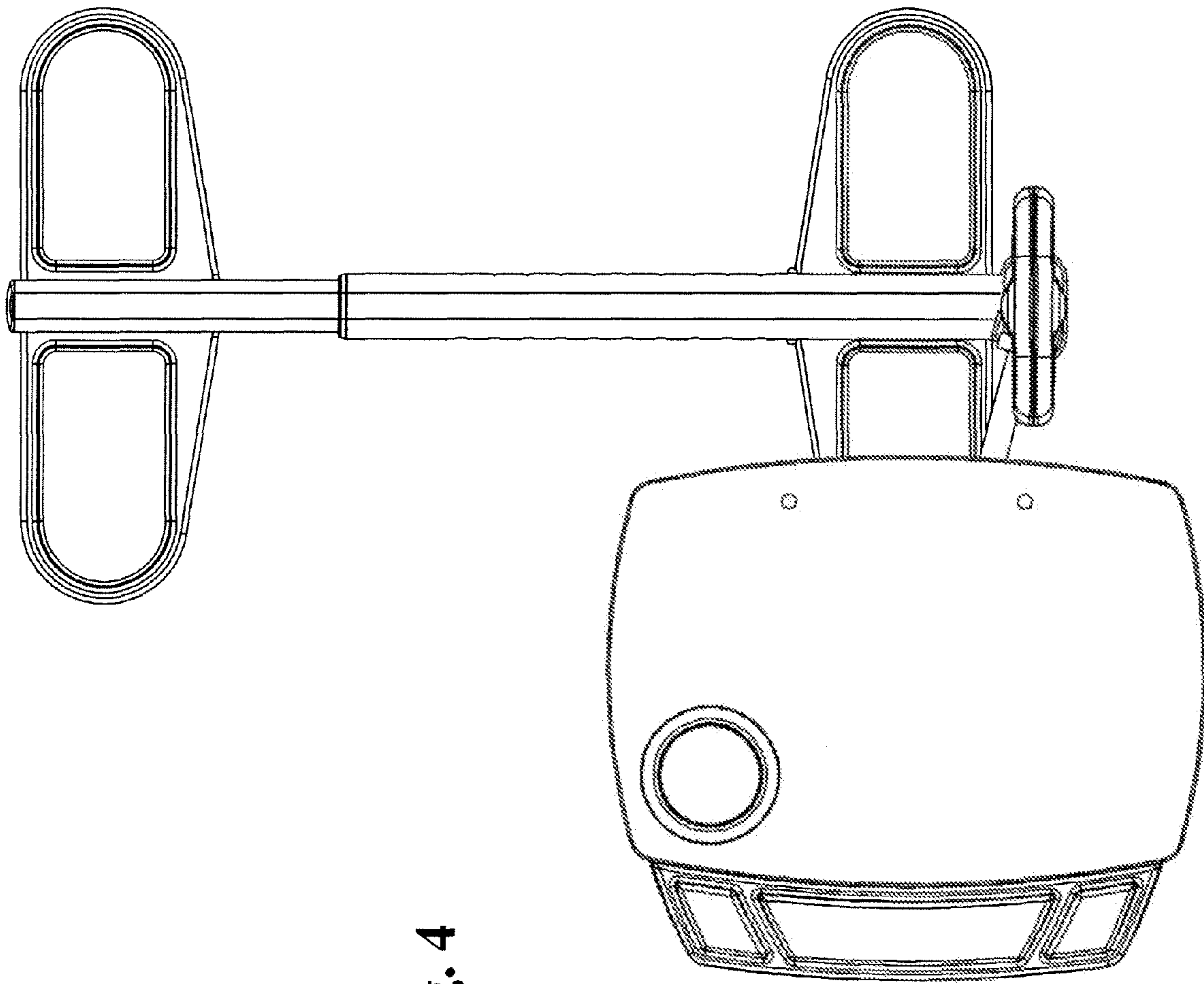


Fig. 4

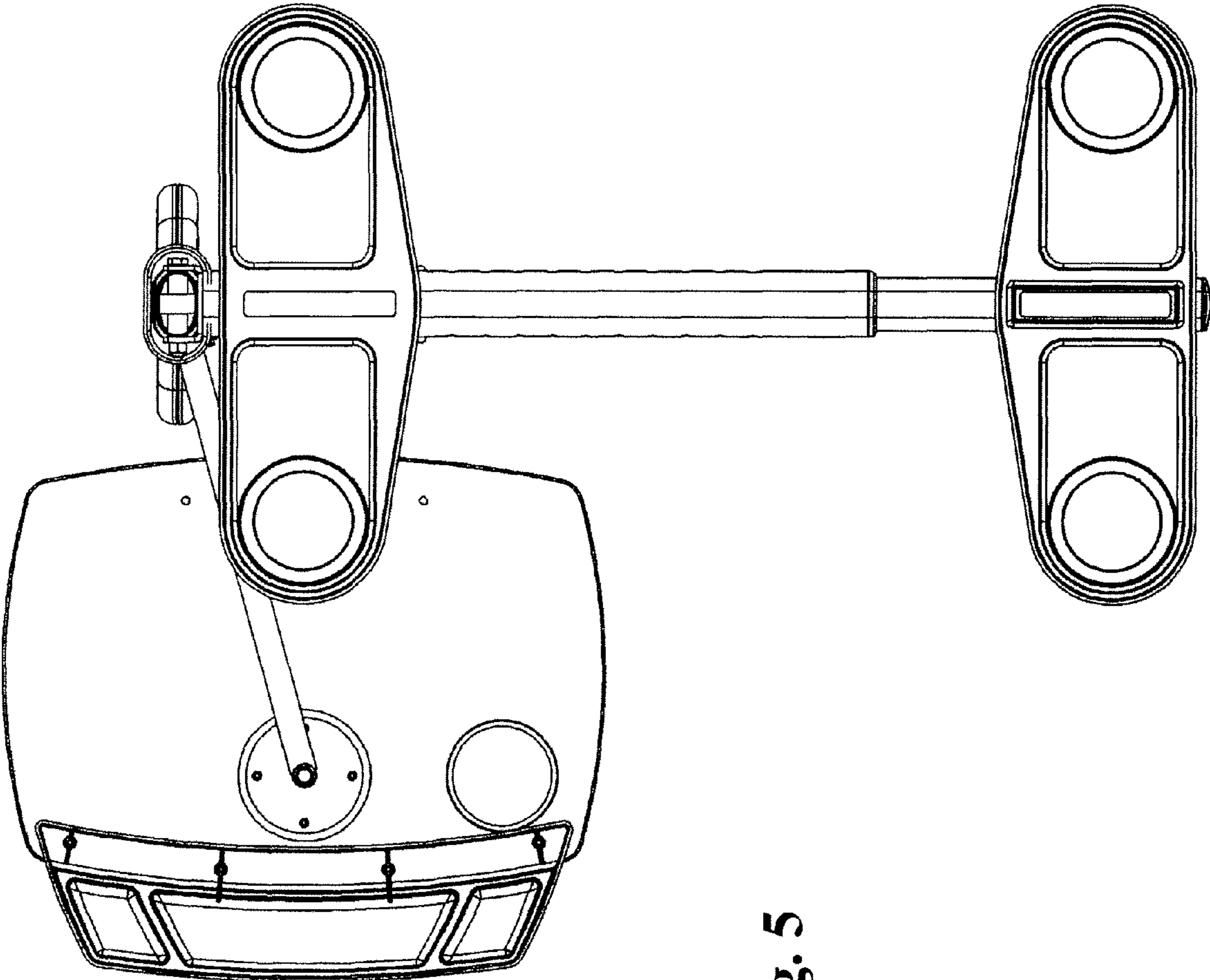


Fig. 5

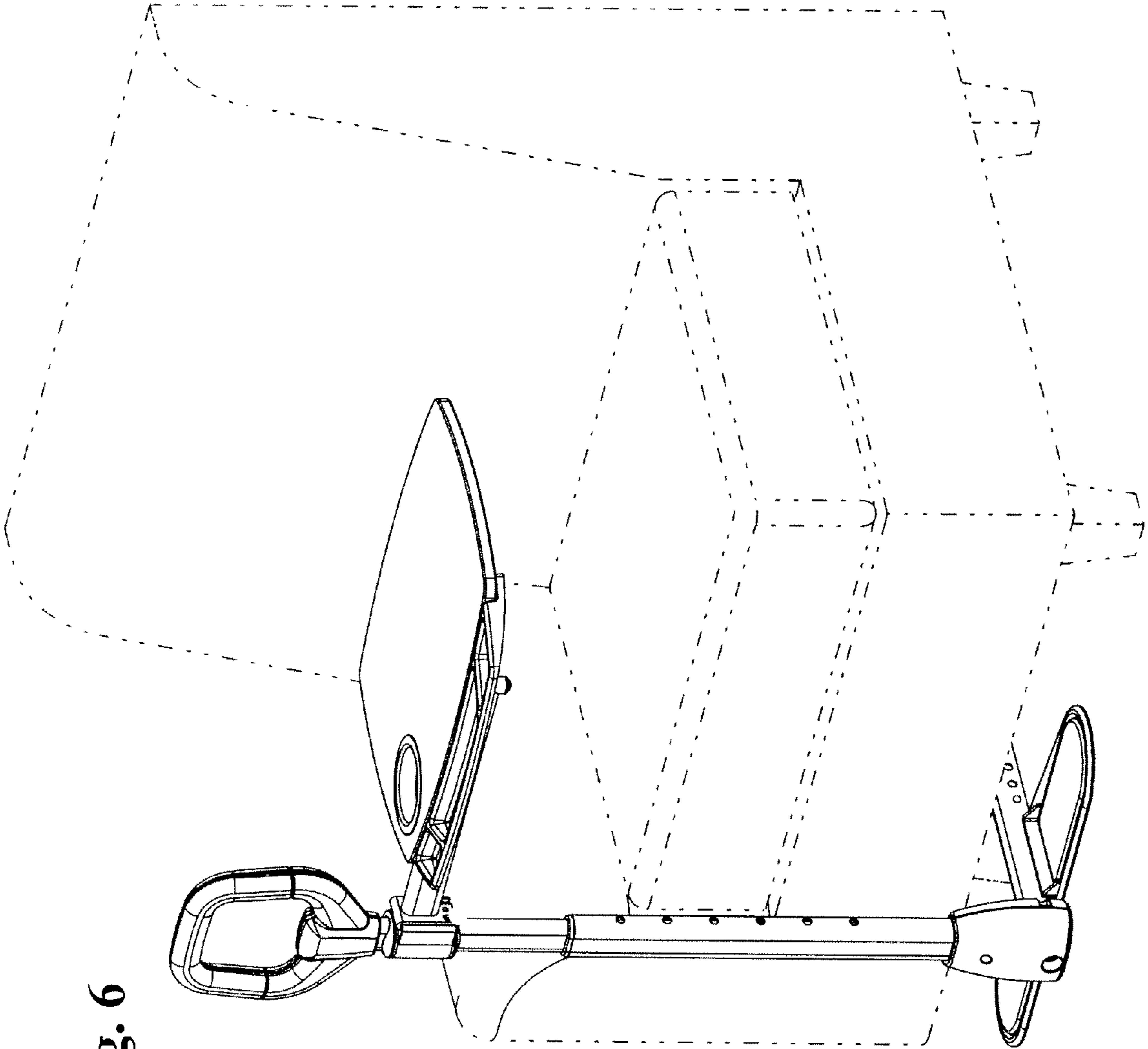


Fig. 6

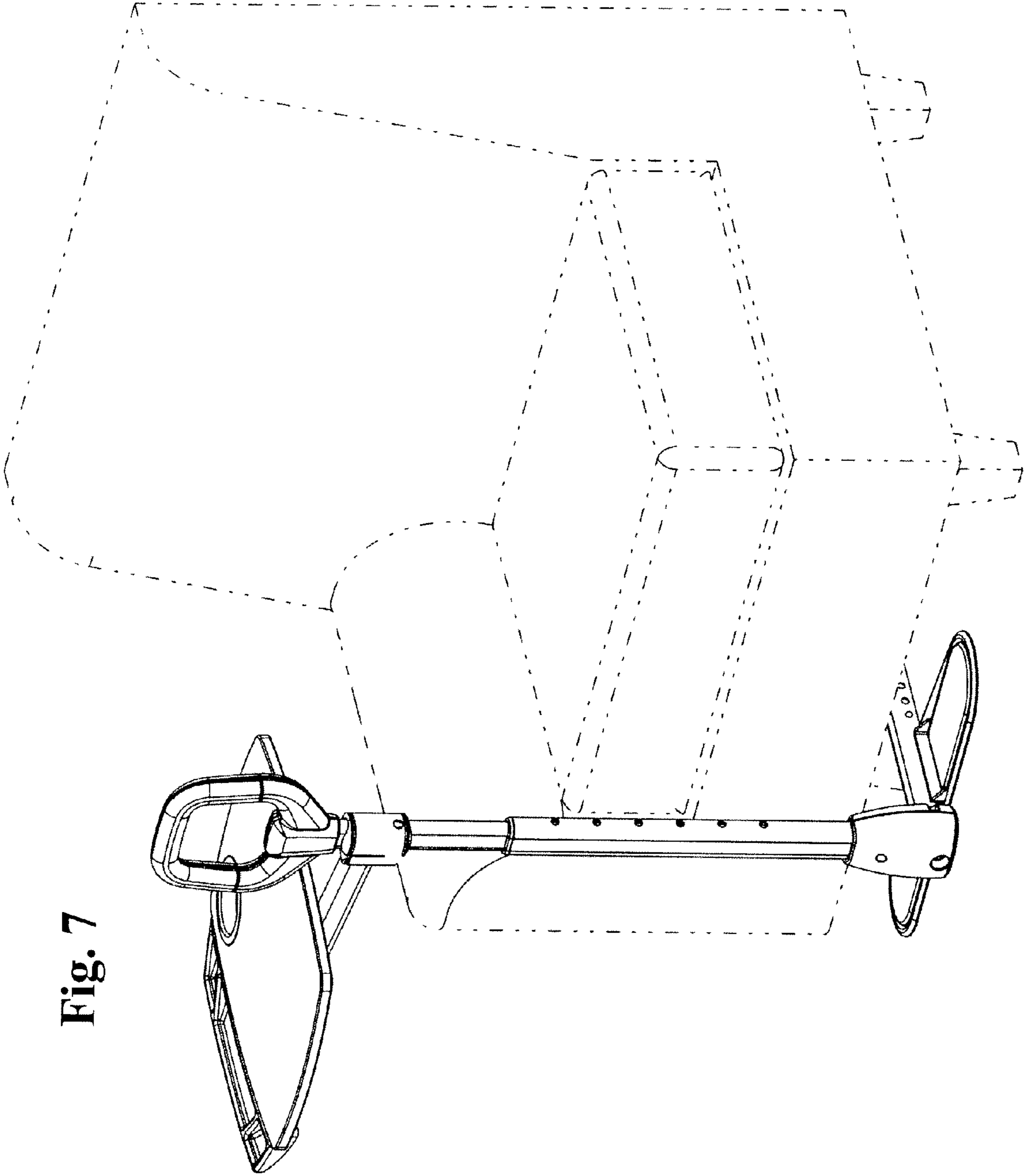


Fig. 7