



US00D620273S

(12) **United States Design Patent**
Brooks

(10) **Patent No.:** **US D620,273 S**
(45) **Date of Patent:** **** Jul. 27, 2010**

(54) **CHAIR**

(75) Inventor: **Paul Brooks**, Strasbourg (FR)

(73) Assignee: **Senator International Limited** (GB)

(**) Term: **14 Years**

(21) Appl. No.: **29/344,895**

(22) Filed: **Oct. 6, 2009**

(51) **LOC (9) Cl.** **06-01**

(52) **U.S. Cl.** **D6/373**

(58) **Field of Classification Search** D6/334-336,
D6/371, 372, 373, 374, 375, 376, 379, 380,
D6/500-502; 297/239, 445.1, 447.1, 447.3,
297/447.4, 448.1, 448.2, 451.7, 452.18
See application file for complete search history.

(56) **References Cited**

U.S. PATENT DOCUMENTS

D248,432 S *	7/1978	Petersen	D6/373
D346,073 S *	4/1994	Hamelink	D6/373
D378,553 S *	3/1997	Newhouse	D6/373
D396,760 S *	8/1998	Leib	D6/373
D433,578 S *	11/2000	Saul	D6/373

D505,278 S *	5/2005	Ambasz	D6/373
D516,830 S *	3/2006	Leist et al.	D6/373
D600,954 S *	9/2009	Kumazawa	D6/502
D609,488 S *	2/2010	Kumazawa	D6/373

* cited by examiner

Primary Examiner—Mimosa De

(74) *Attorney, Agent, or Firm*—Salter & Michaelson

(57) **CLAIM**

The ornamental design for a chair, as shown.

DESCRIPTION

FIG. 1 is a front perspective view of the chair having my new design;

FIG. 2 is a rear perspective view of the chair having my new design;

FIG. 3 is a front elevational view showing the chair;

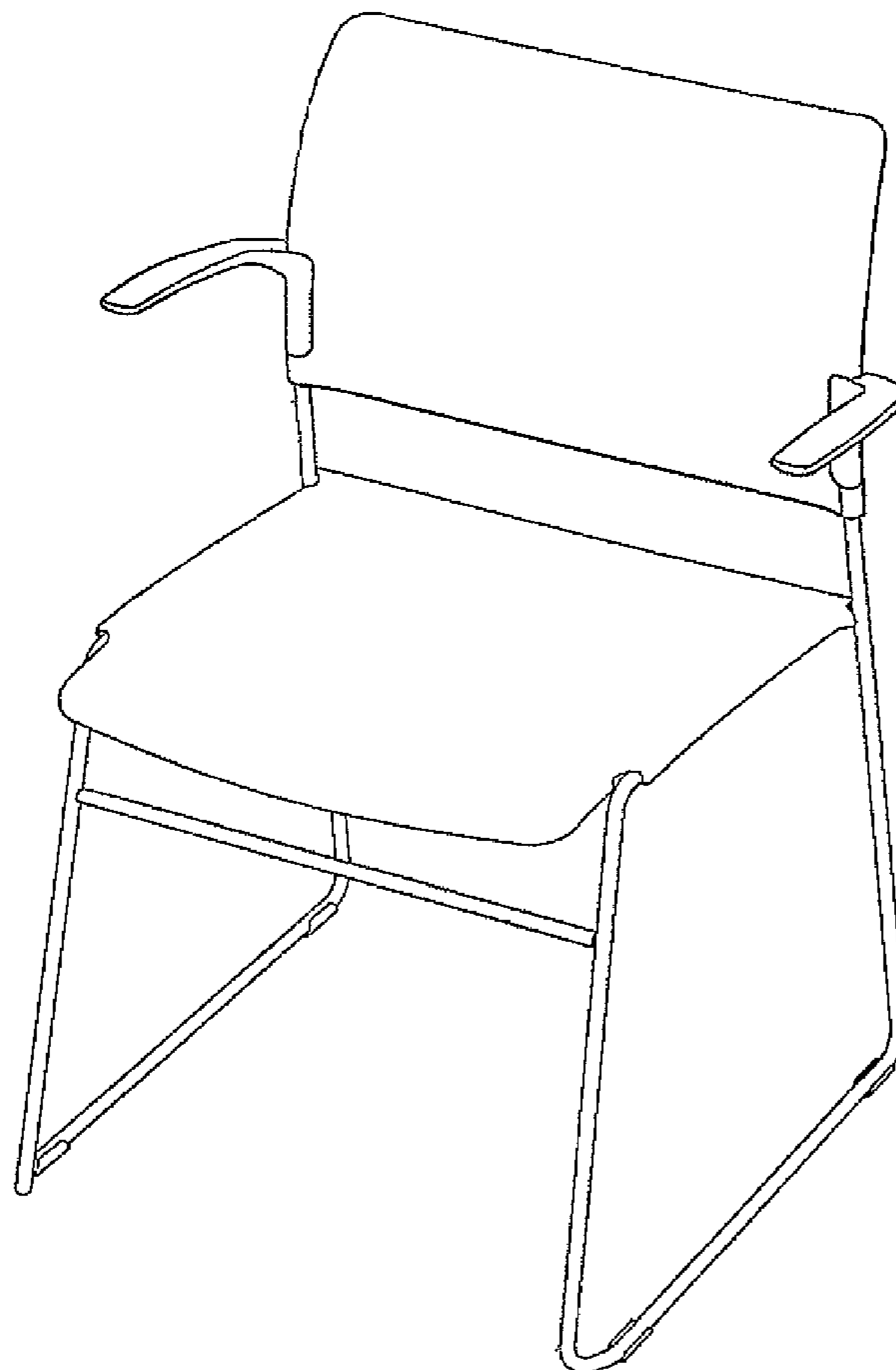
FIG. 4 is a rear elevational view showing a chair

FIG. 5 is a right side elevational view of the chair;

FIG. 6 is a left side elevational view of the chair; and,

FIG. 7 is a top plan view of the chair.

1 Claim, 7 Drawing Sheets



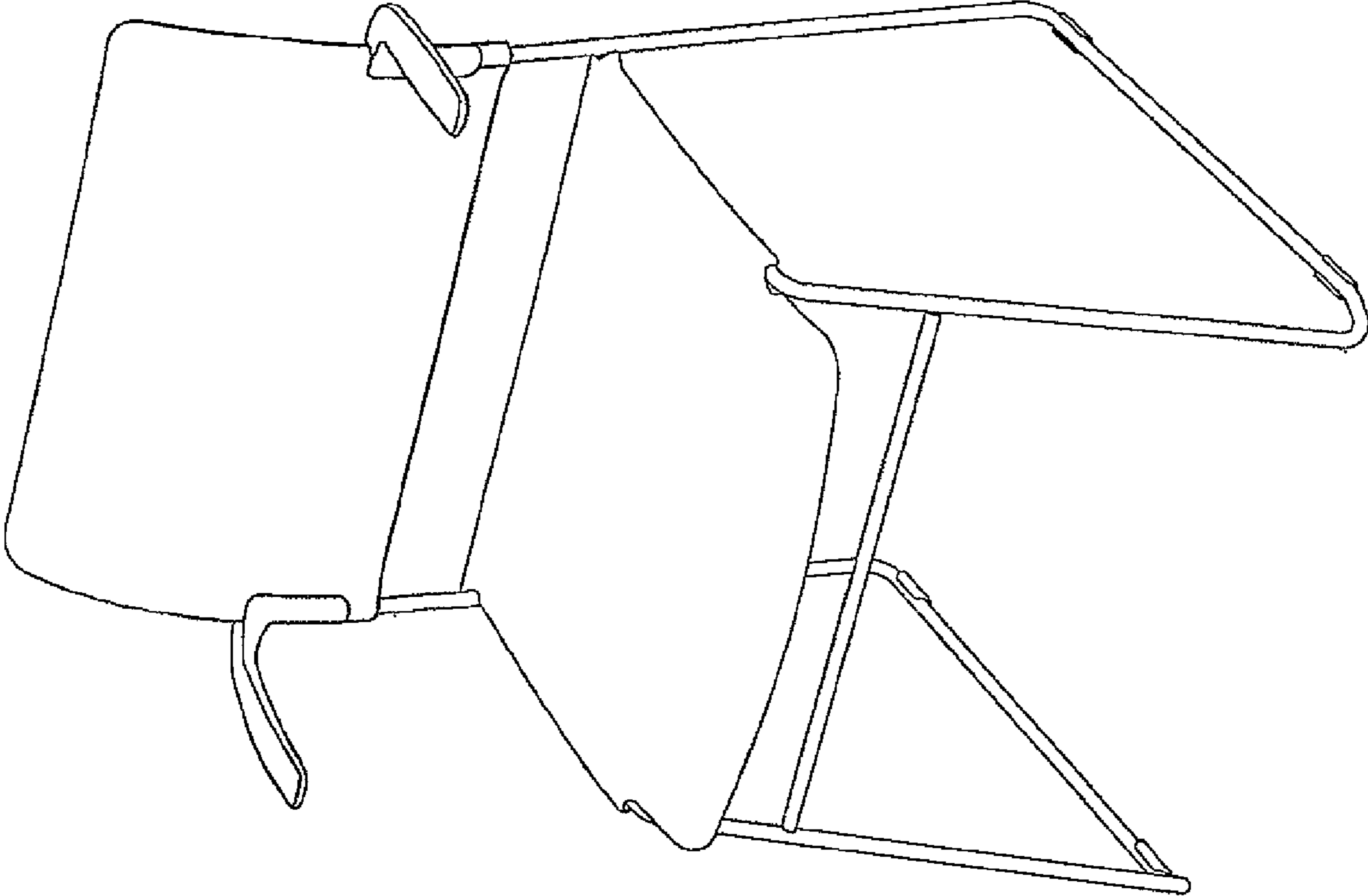


FIG. 1

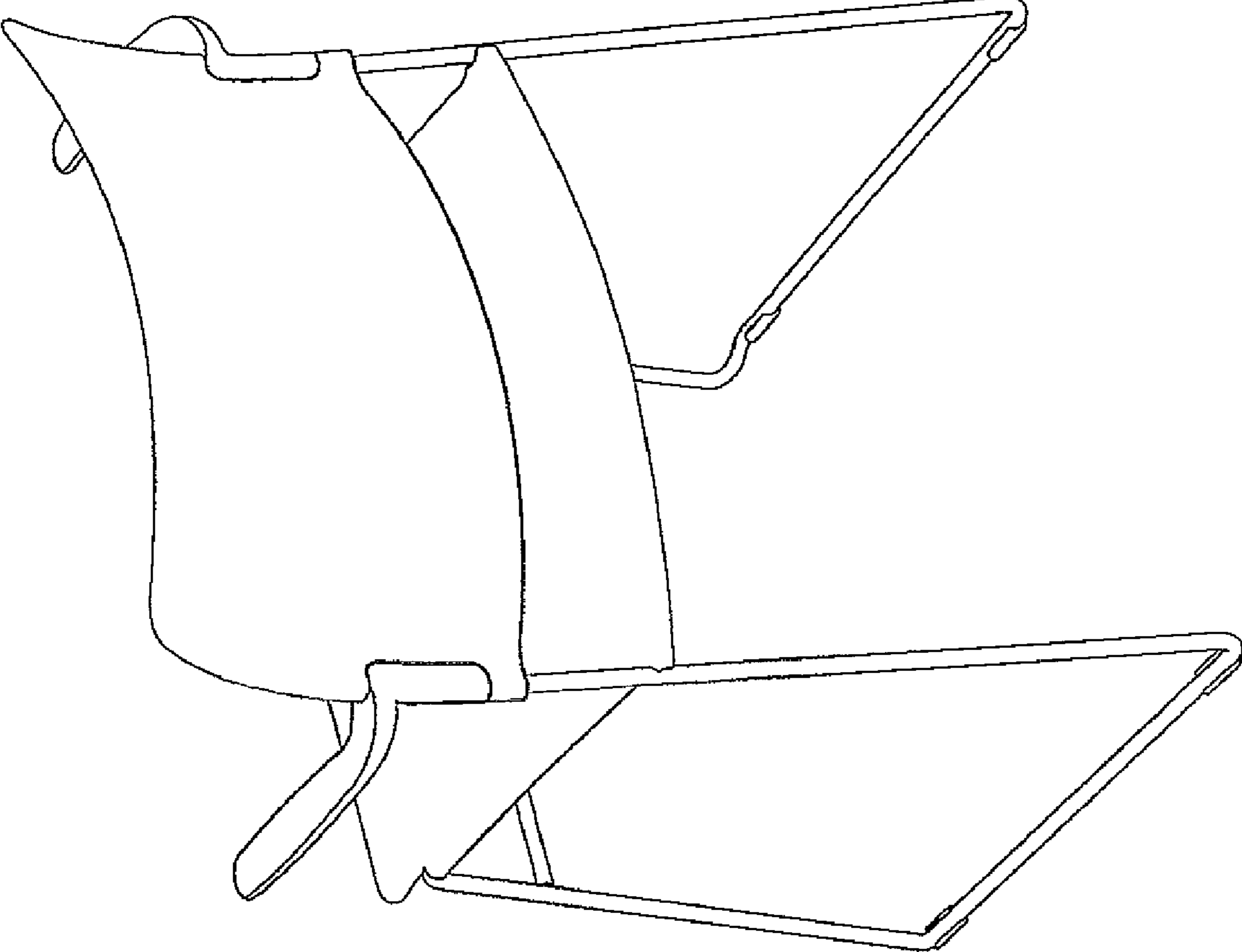


FIG. 2

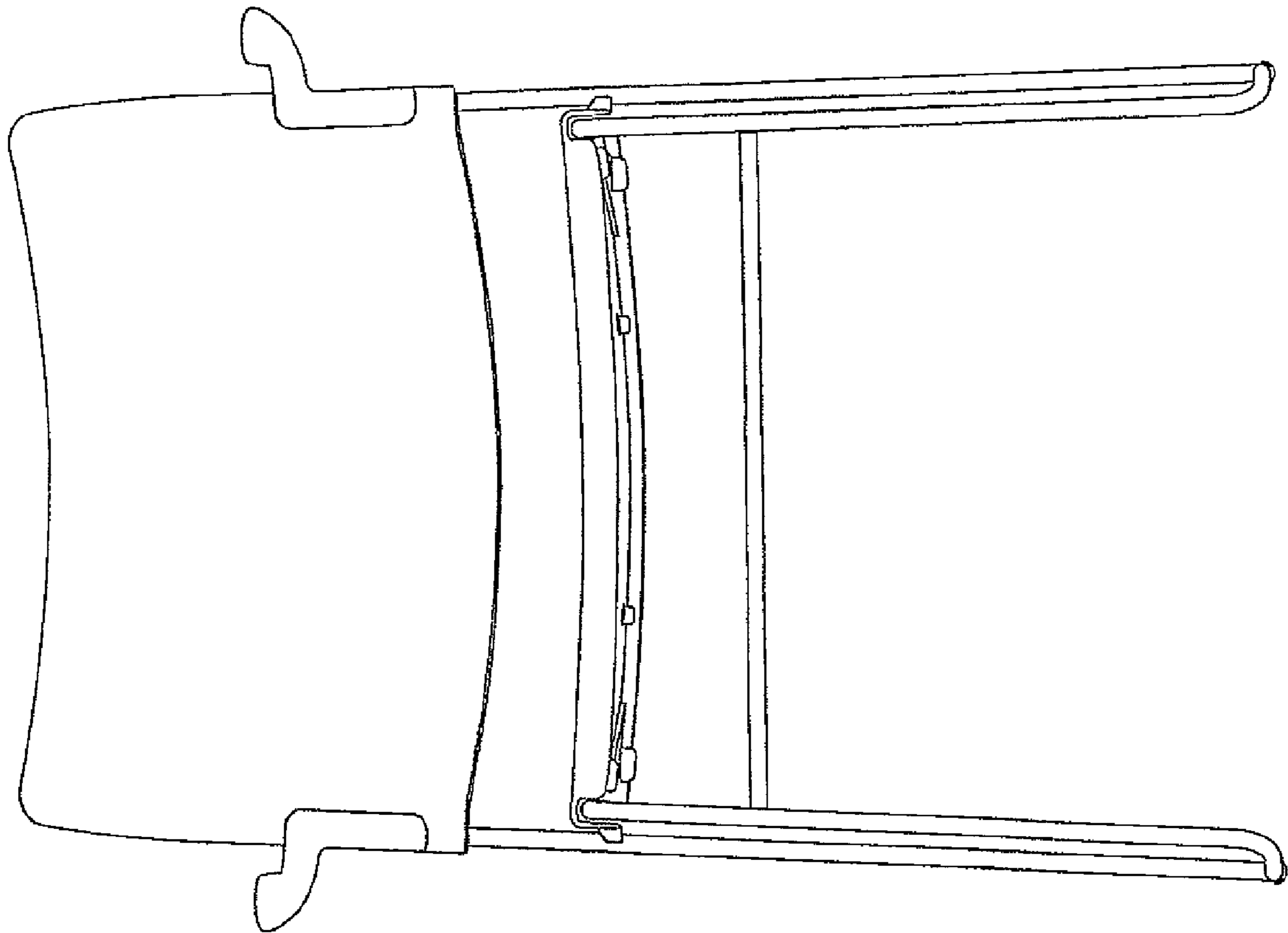


FIG. 3

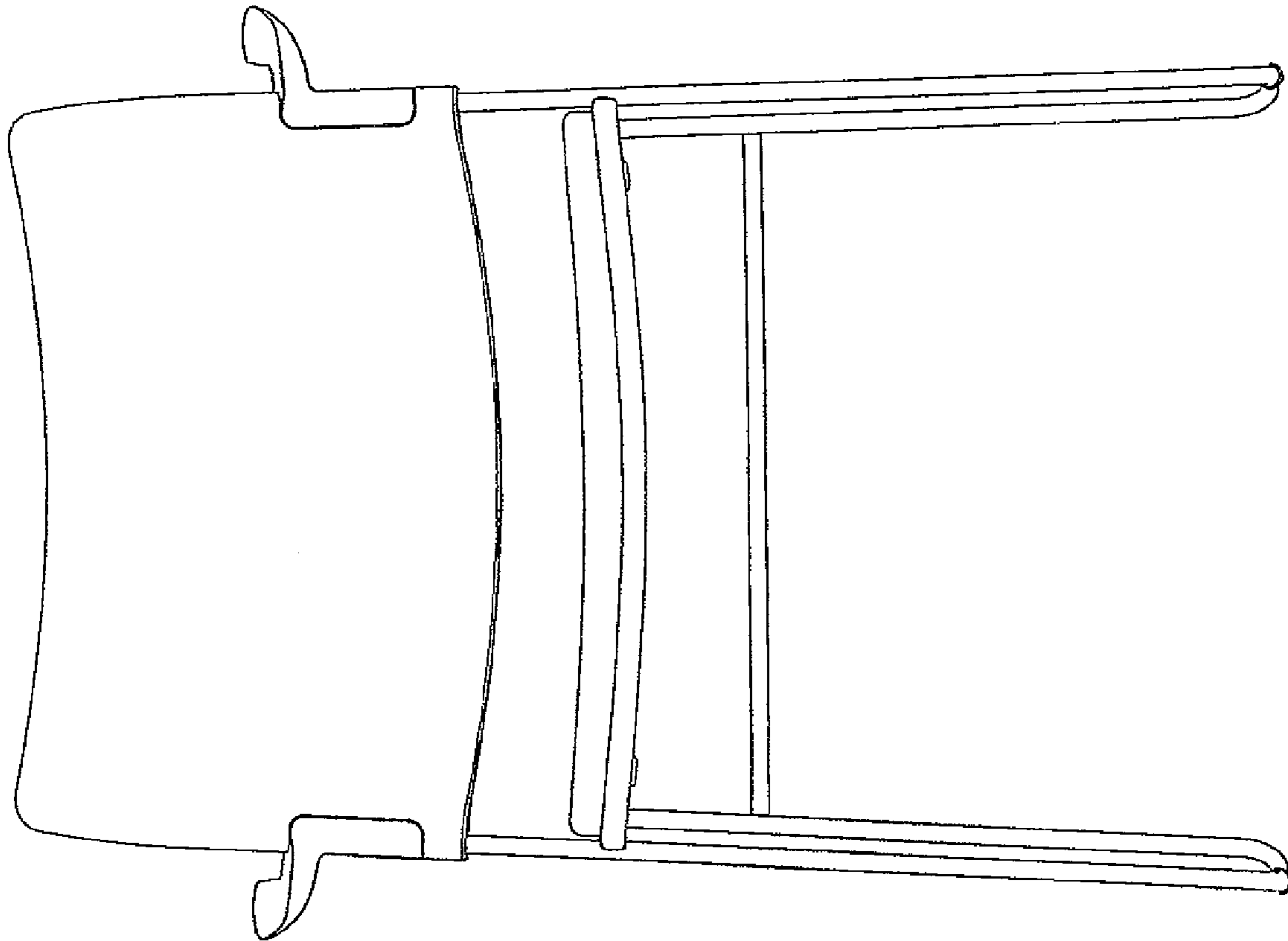


FIG. 4

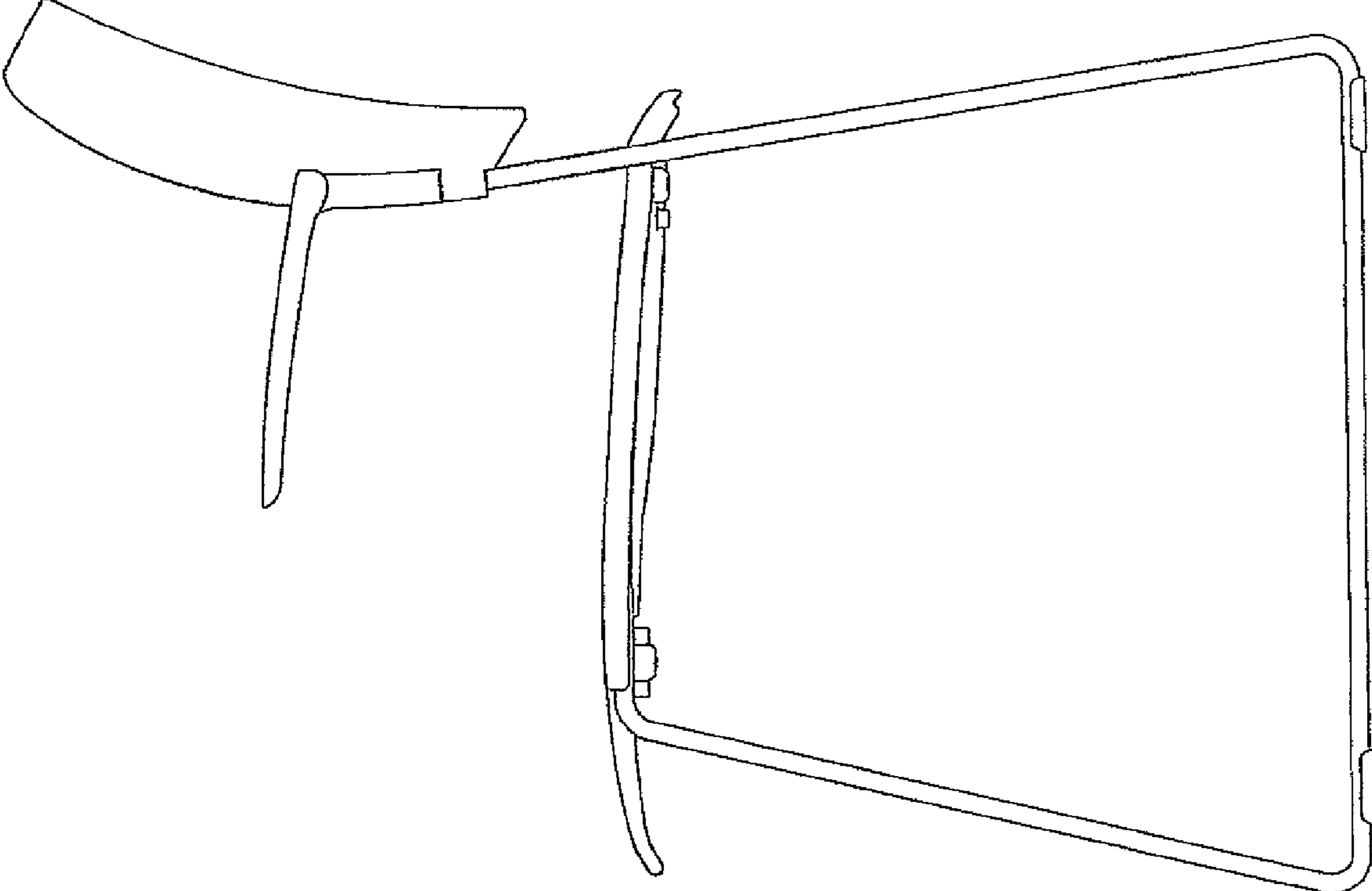


FIG. 5

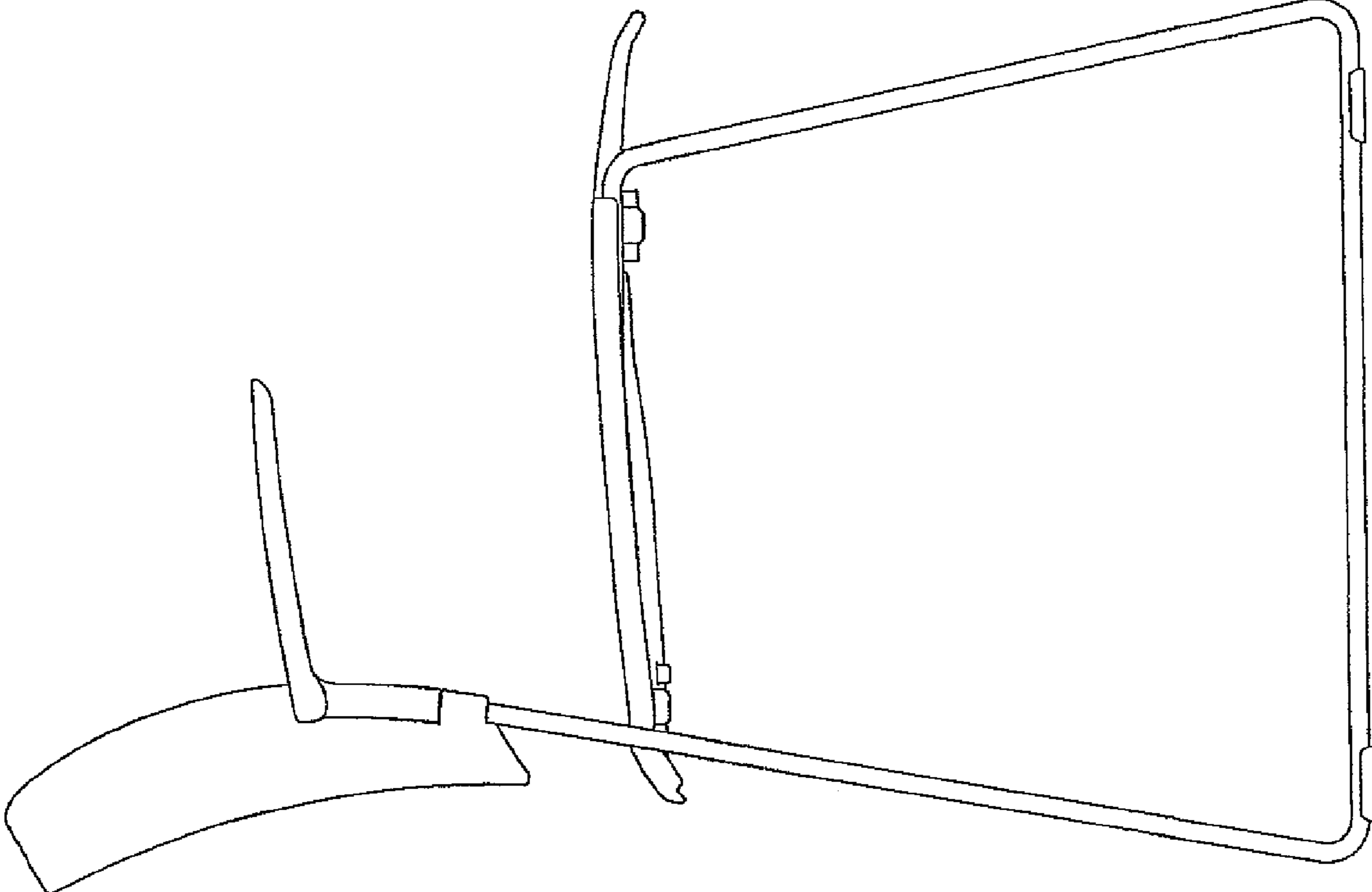


FIG. 6

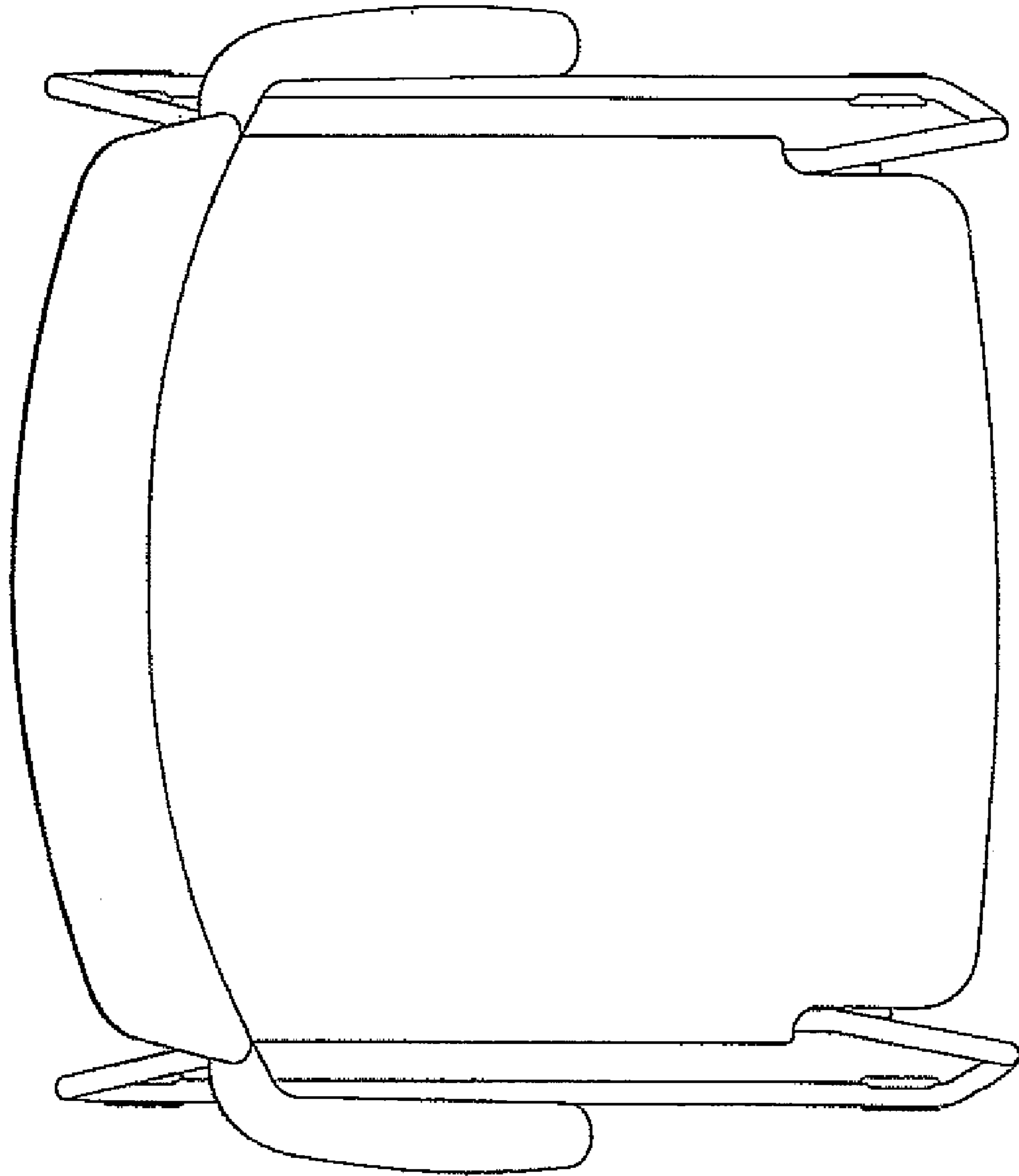


FIG. 7