



US00D620266S

(12) **United States Design Patent**
Tin

(10) **Patent No.:** **US D620,266 S**

(45) **Date of Patent:** **** Jul. 27, 2010**

(54) **OTTOMAN**

(76) **Inventor:** **Khaymar Than Tin**, 790 North Ave.,
NE., Unit #204, Atlanta, GA (US) 30306

(**) **Term:** **14 Years**

(21) **Appl. No.:** **29/348,743**

(22) **Filed:** **Feb. 3, 2010**

Related U.S. Application Data

(62) Division of application No. 29/314,733, filed on Apr. 23, 2009.

(51) **LOC (9) Cl.** **06-01**

(52) **U.S. Cl.** **D6/349**

(58) **Field of Classification Search** D6/334,
D6/336, 338, 349, 352, 363, 374, 375, 380,
D6/381, 491, 492, 500-502; 297/175, 411.2,
297/445.1, 446.1, 446.2, 447.1, 447.2, 448.1,
297/451.2, 452.11, 452.29, 461, 462; 5/12.1,
5/12.2

See application file for complete search history.

(56) **References Cited**

U.S. PATENT DOCUMENTS

2,625,204 A * 1/1953 Reichman 297/105
2,675,862 A * 4/1954 Eichorst 248/396
2,725,923 A * 12/1955 Bachrach 297/188.1
2,822,861 A * 2/1958 Parent 248/394

2,877,830 A * 3/1959 Smith 297/461
4,212,090 A * 7/1980 Ehrlich 5/14
D300,884 S * 5/1989 Friedman D6/367
D382,124 S * 8/1997 Chandler D6/349
D402,815 S * 12/1998 Silva D6/349
D416,143 S * 11/1999 Ragan D6/397
D461,061 S * 8/2002 Kent D6/336
D468,915 S * 1/2003 Talbott et al. D6/336

* cited by examiner

Primary Examiner—Sandra Snapp

(74) *Attorney, Agent, or Firm*—Nash and Titus, LLC

(57) **CLAIM**

The ornamental design for an ottoman, as shown and described.

DESCRIPTION

FIGS. 1-3 show the ottoman. From the top view, this embodiment is generally square in shape.

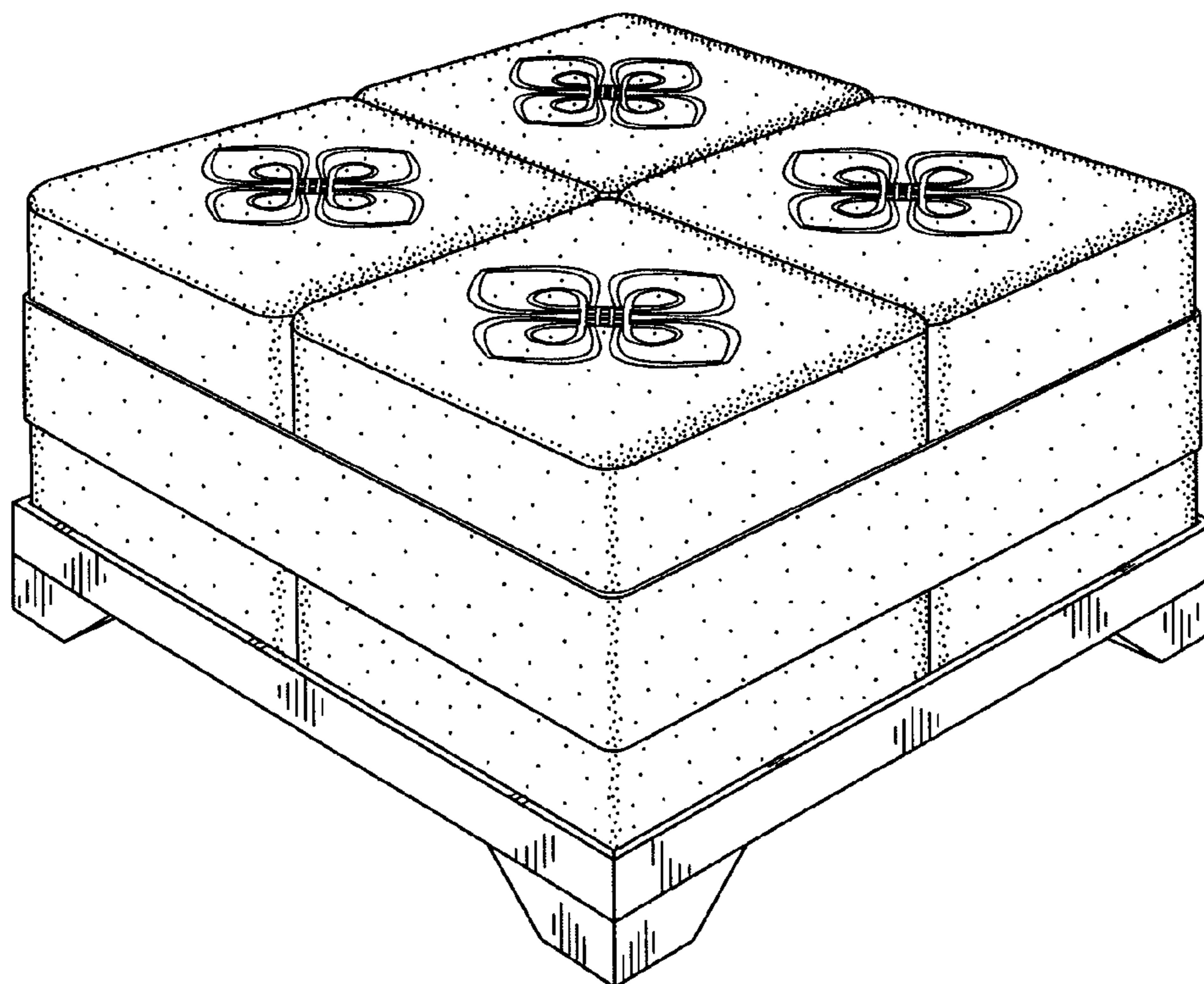
FIG. 1 is a perspective view of the ottoman showing two sides and the top of the invention.

FIG. 2 is a top view thereof; and,

FIG. 3 is a side view of the ottoman, the other side views being identical thereto.

In each Figure, all surfaces not shown form no part of the claimed design.

1 Claim, 2 Drawing Sheets



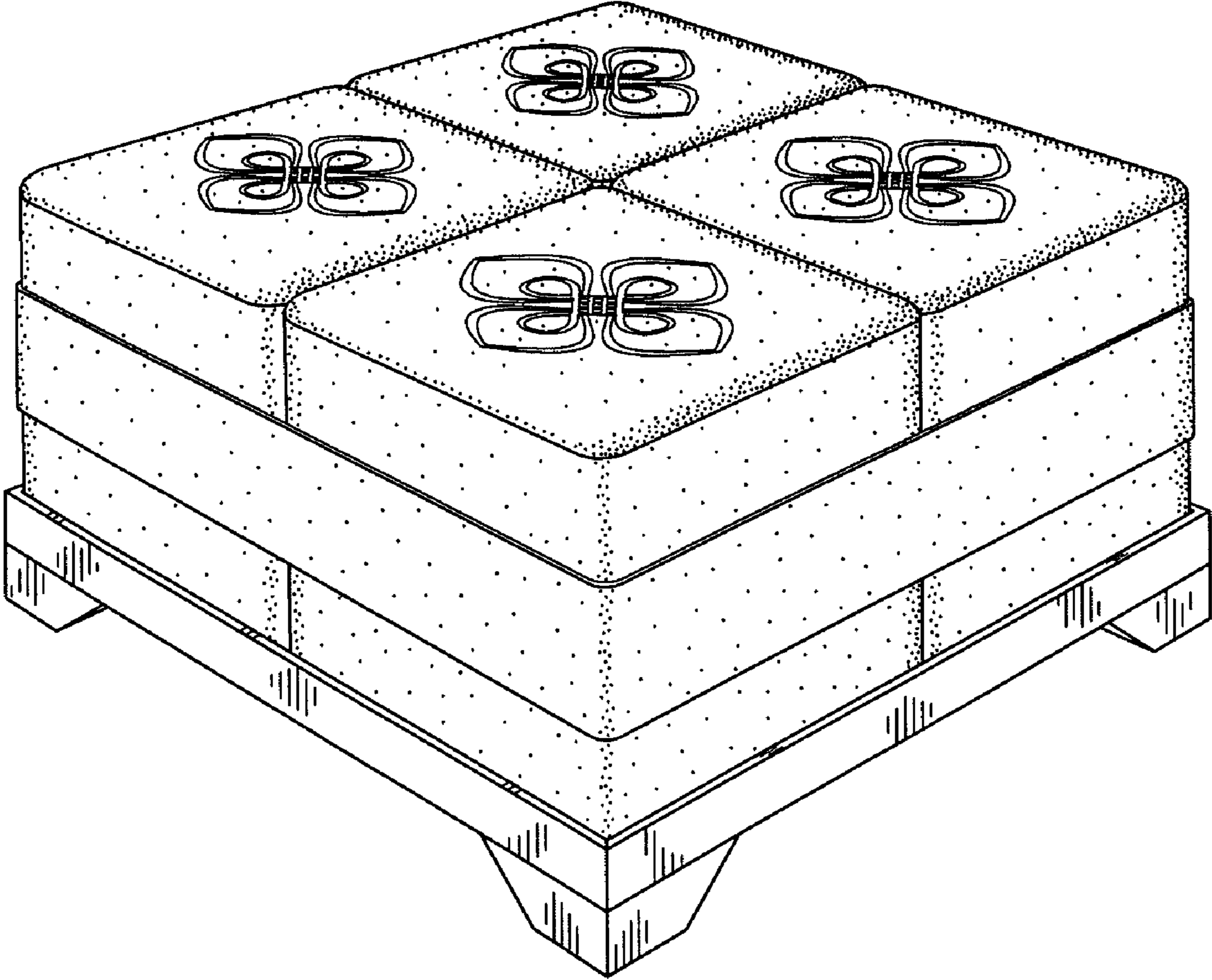


Fig. 1

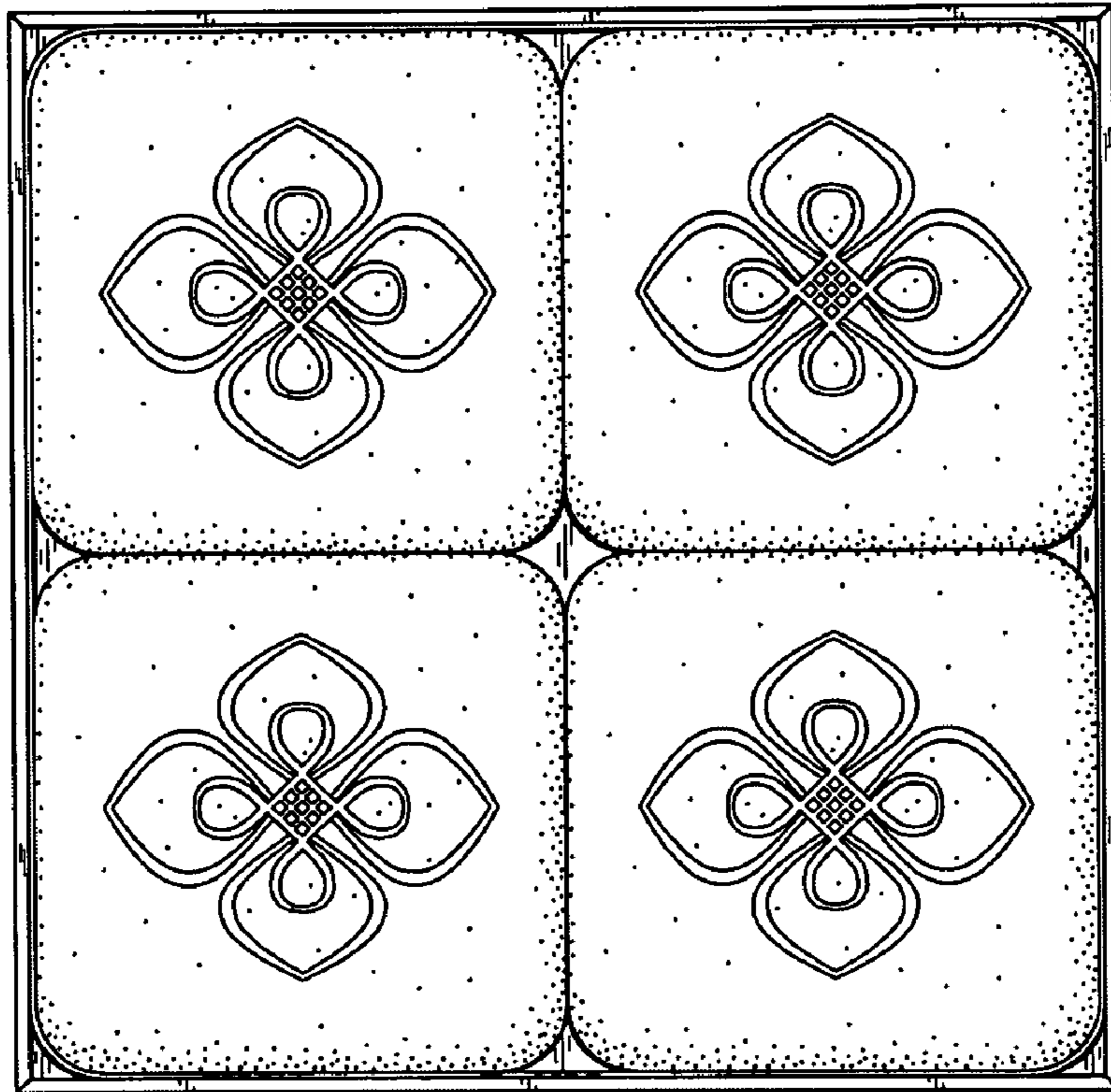


Fig. 2

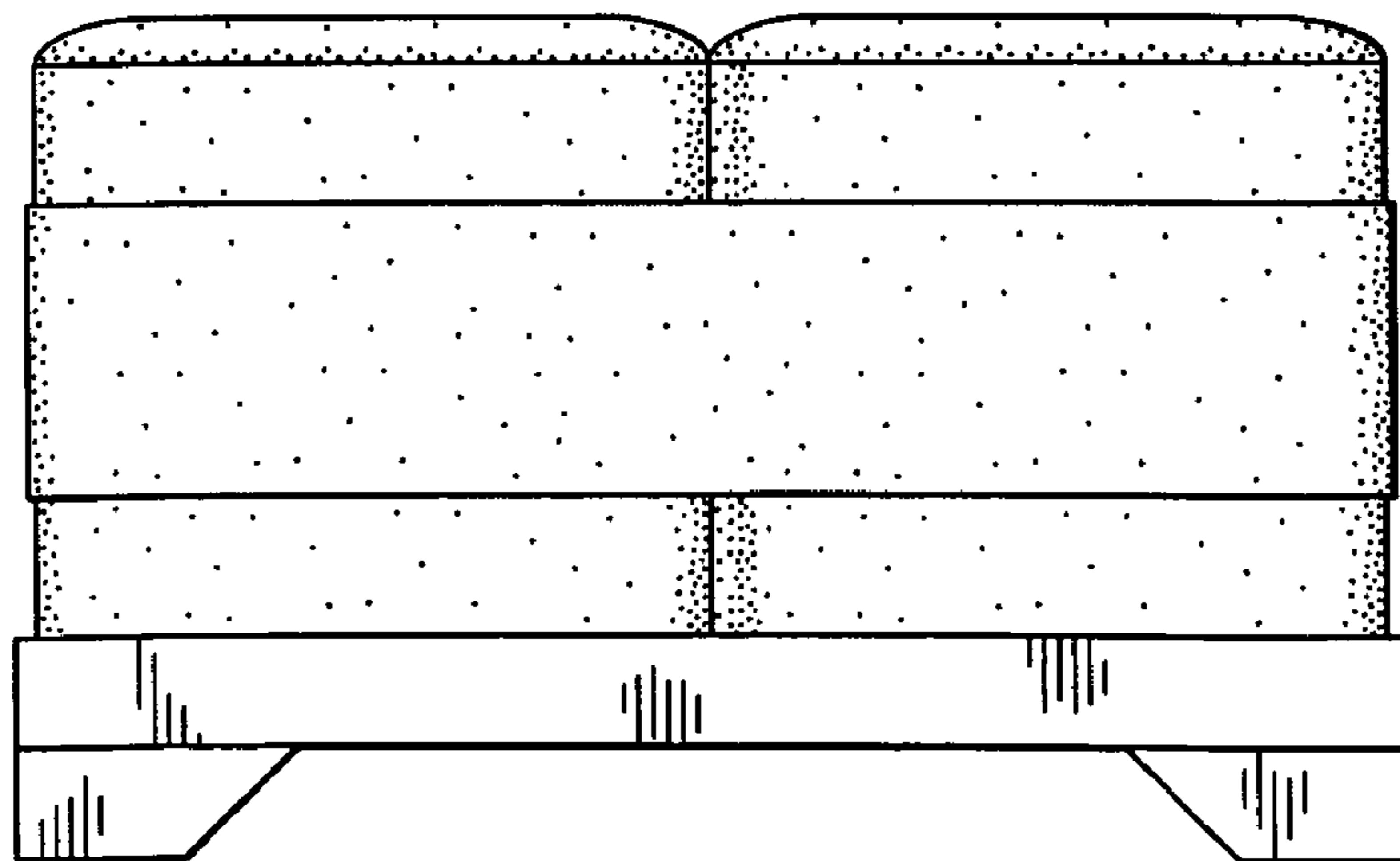


Fig. 3