

US00D620262S

(12) **United States Design Patent**  
**Tukulj-Popovic**

(10) **Patent No.:** **US D620,262 S**  
(45) **Date of Patent:** **\*\* Jul. 27, 2010**

(54) **EXTENSION HANGER**  
(75) Inventor: **Sladjana Tukulj-Popovic**, Toronto (CA)  
(73) Assignee: **Thane International, Inc.**, La Quinta, CA (US)  
(\*\*) Term: **14 Years**  
(21) Appl. No.: **29/350,693**  
(22) Filed: **Nov. 20, 2009**

(51) **LOC (9) Cl.** ..... **06-08**  
(52) **U.S. Cl.** ..... **D6/319**  
(58) **Field of Classification Search** ..... D6/315,  
D6/317, 319, 328; 223/85-98; 211/1, 13.1,  
211/85.3

See application file for complete search history.

(56) **References Cited**

**U.S. PATENT DOCUMENTS**

1,344,665 A 6/1920 Weber  
1,693,871 A \* 12/1928 Schneider ..... 223/88  
2,439,838 A \* 4/1948 Wingate ..... 223/94  
2,528,036 A \* 10/1950 Cook ..... 223/92  
2,629,525 A 2/1953 Peterson  
2,663,470 A 12/1953 Albert  
2,781,157 A 2/1957 Schoch  
2,900,117 A \* 8/1959 Veltry ..... 223/94  
D193,162 S \* 7/1962 Hvale ..... D6/318  
3,254,814 A 6/1966 Weir et al.  
3,874,572 A 4/1975 McClenning  
4,446,996 A 5/1984 Garrison  
4,673,114 A \* 6/1987 Douglas ..... 223/89  
4,717,053 A 1/1988 Wang

D358,036 S \* 5/1995 Miyahara ..... D6/317  
D407,563 S \* 4/1999 Majkowski ..... D6/315  
5,941,429 A 8/1999 Koons  
D465,339 S \* 11/2002 Lin ..... D6/318  
D492,128 S \* 6/2004 Sugita ..... D6/317  
D604,516 S \* 11/2009 Scott et al. .... D6/317  
2007/0194064 A1 8/2007 Elder

**FOREIGN PATENT DOCUMENTS**

DE 3706539 A1 9/1988

\* cited by examiner

*Primary Examiner*—Shanda C Hill

(74) *Attorney, Agent, or Firm*—Michael Zarrabian, Esq.;  
Myers Andras Sherman LLP

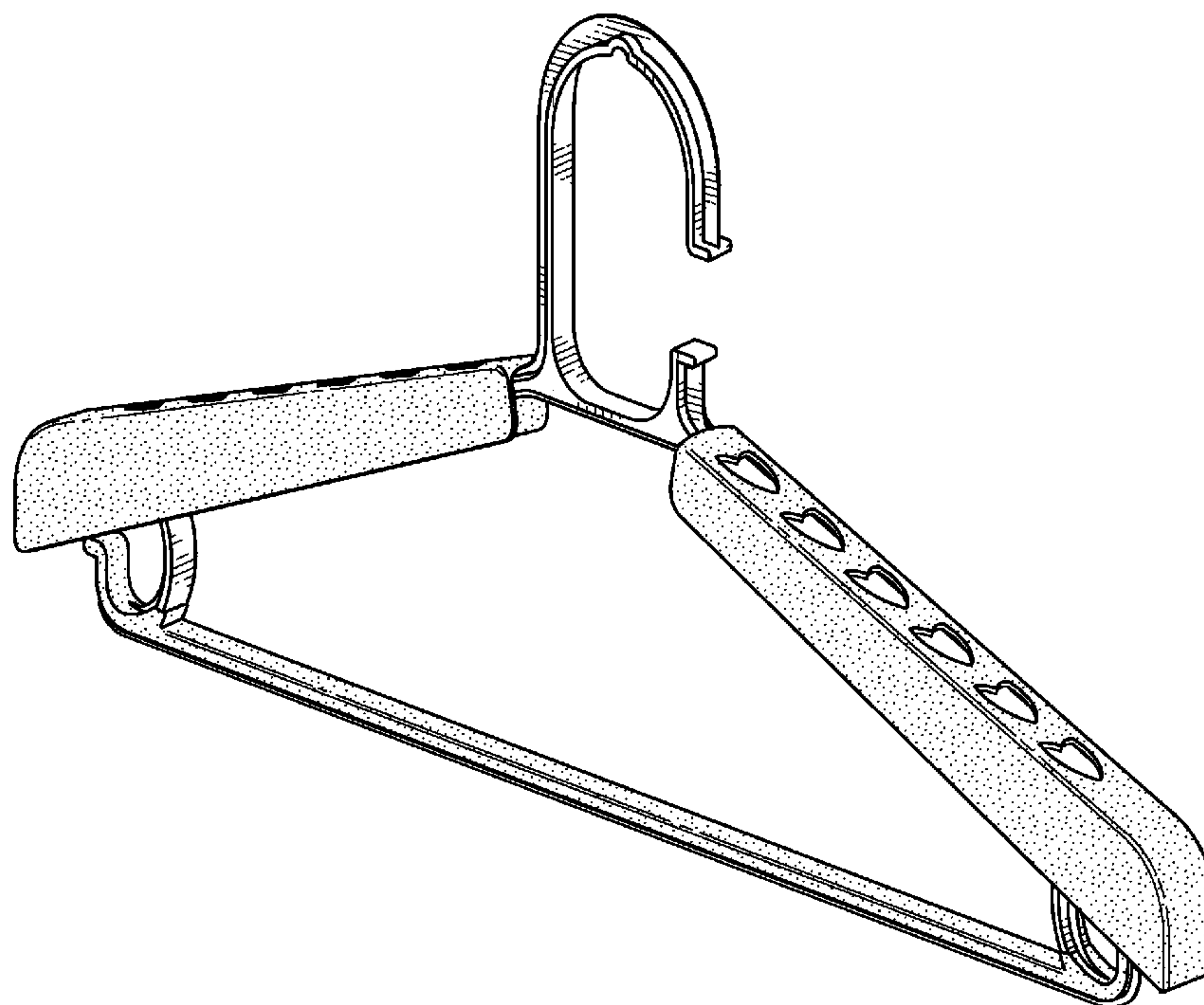
(57) **CLAIM**

The ornamental design for an extension hanger, as shown and described.

**DESCRIPTION**

FIG. 1 is a perspective view of an extension hanger showing my new design,  
FIG. 2 is a left side view thereof;  
FIG. 3 is a right side view thereof;  
FIG. 4 is a top view thereof;  
FIG. 5 is a bottom view thereof;  
FIG. 6 is a rear view thereof;  
FIG. 7 is a front view thereof; and,  
FIG. 8 is a right side view thereof shown in an alternate position.

**1 Claim, 6 Drawing Sheets**



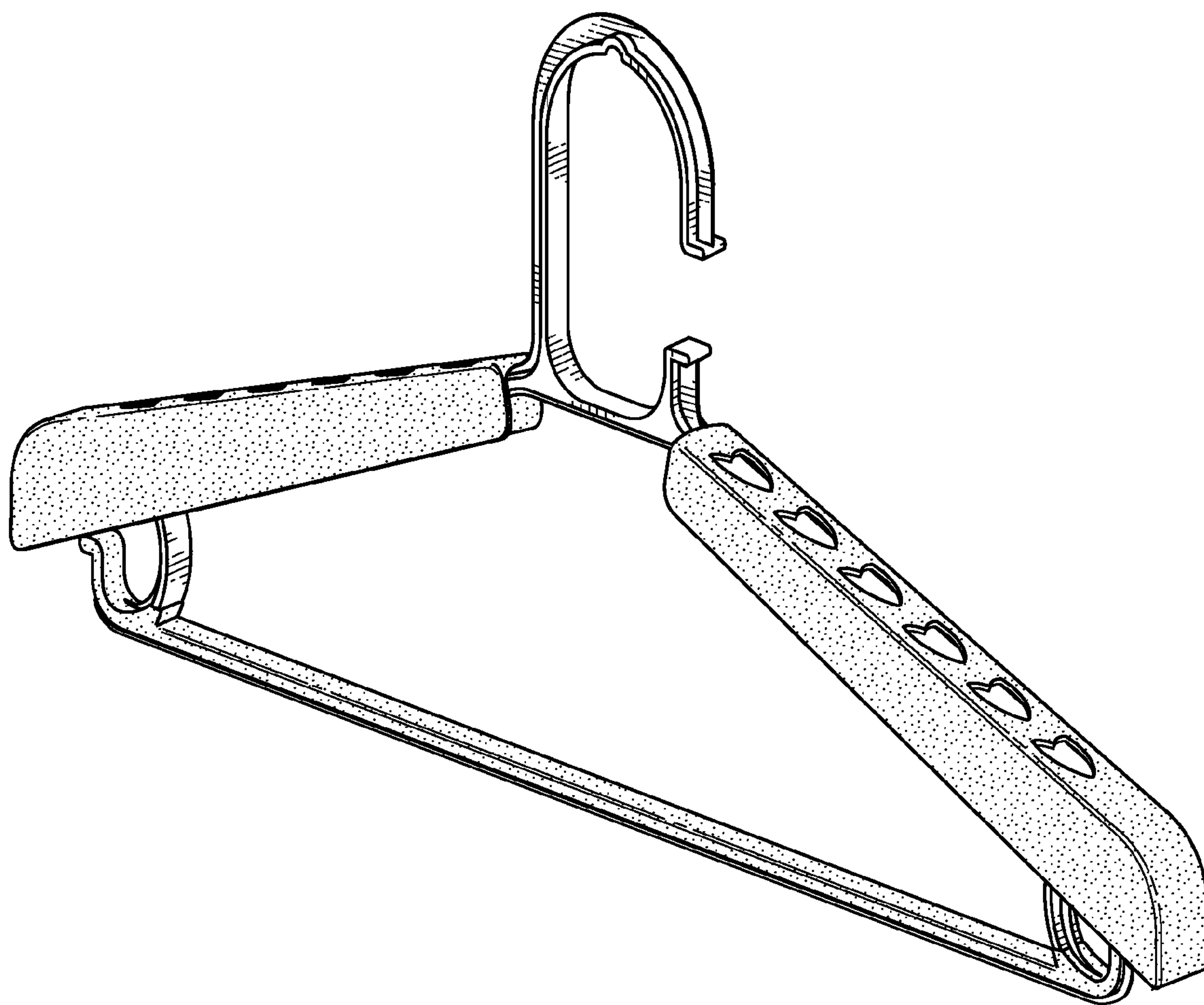


FIG. 1

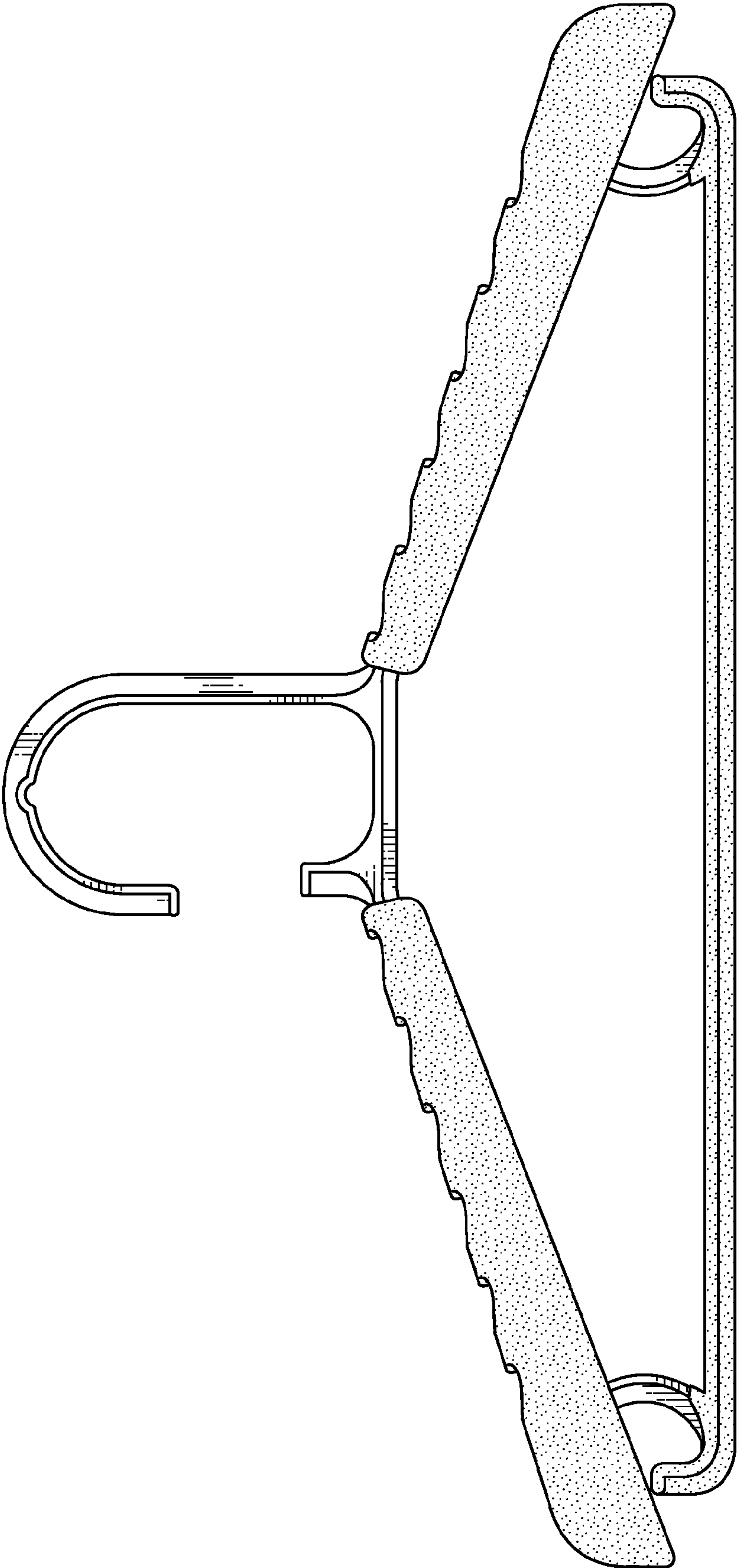


FIG. 2

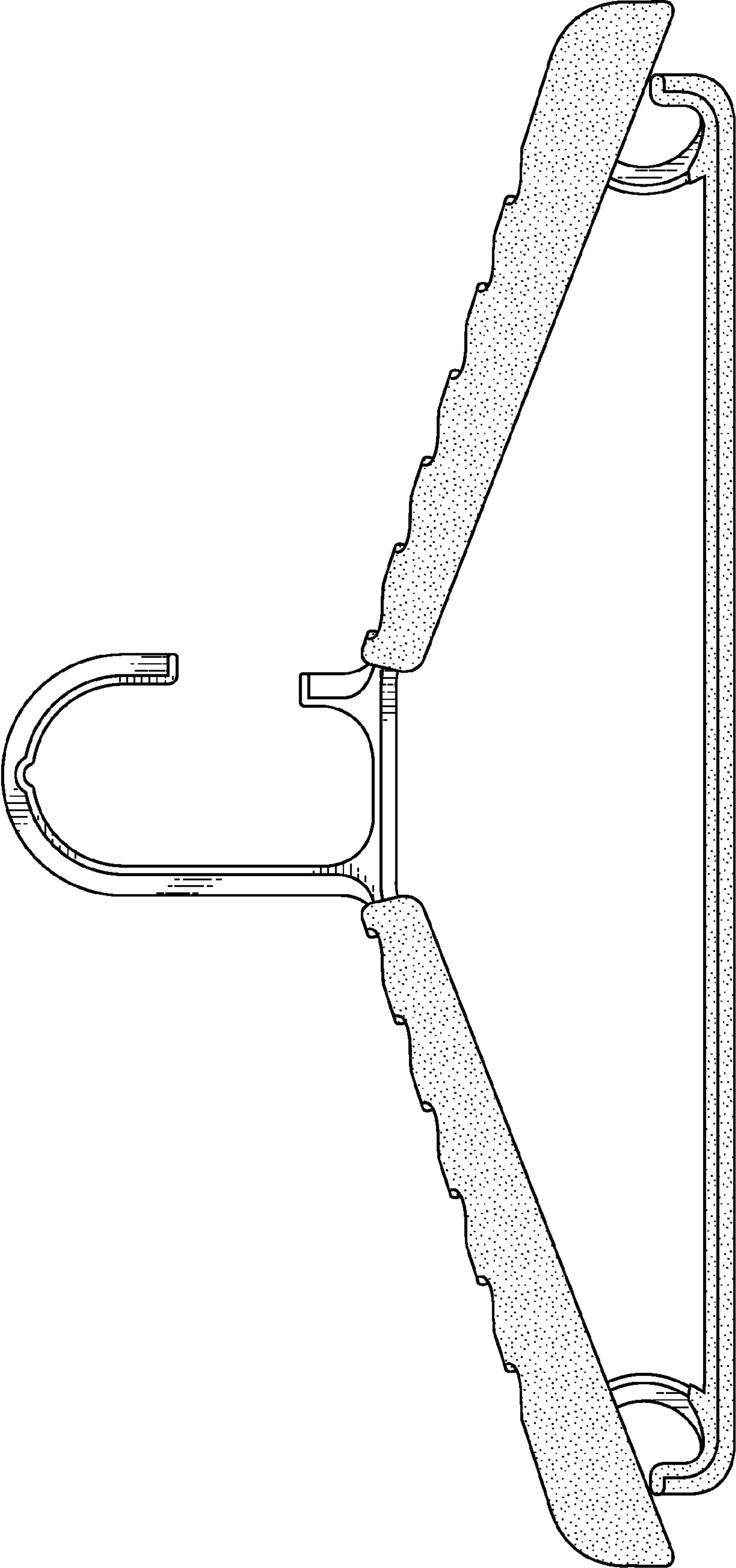


FIG. 3

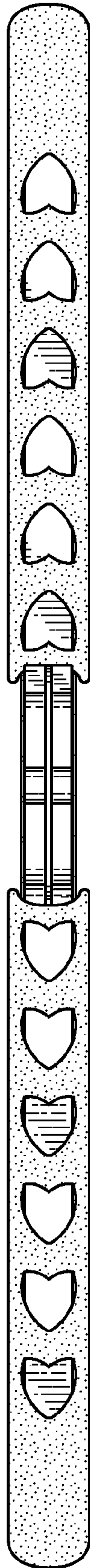


FIG. 4

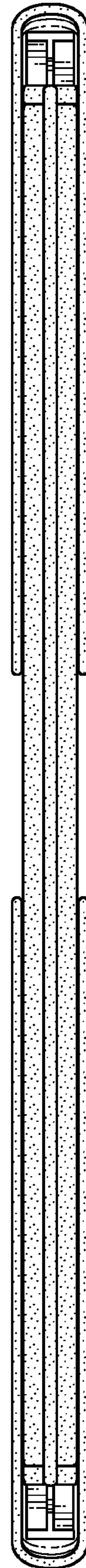


FIG. 5



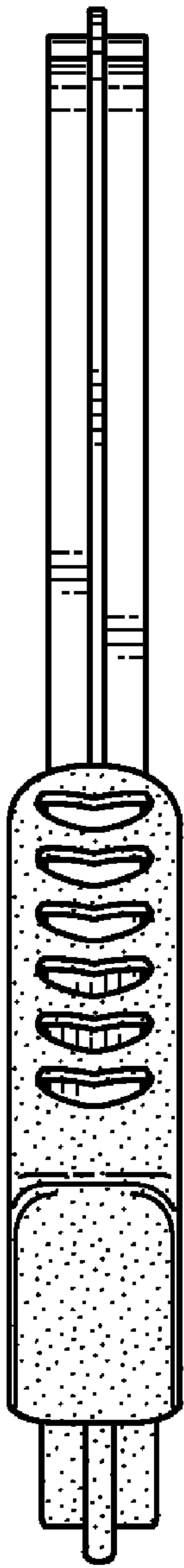


FIG. 6



FIG. 7

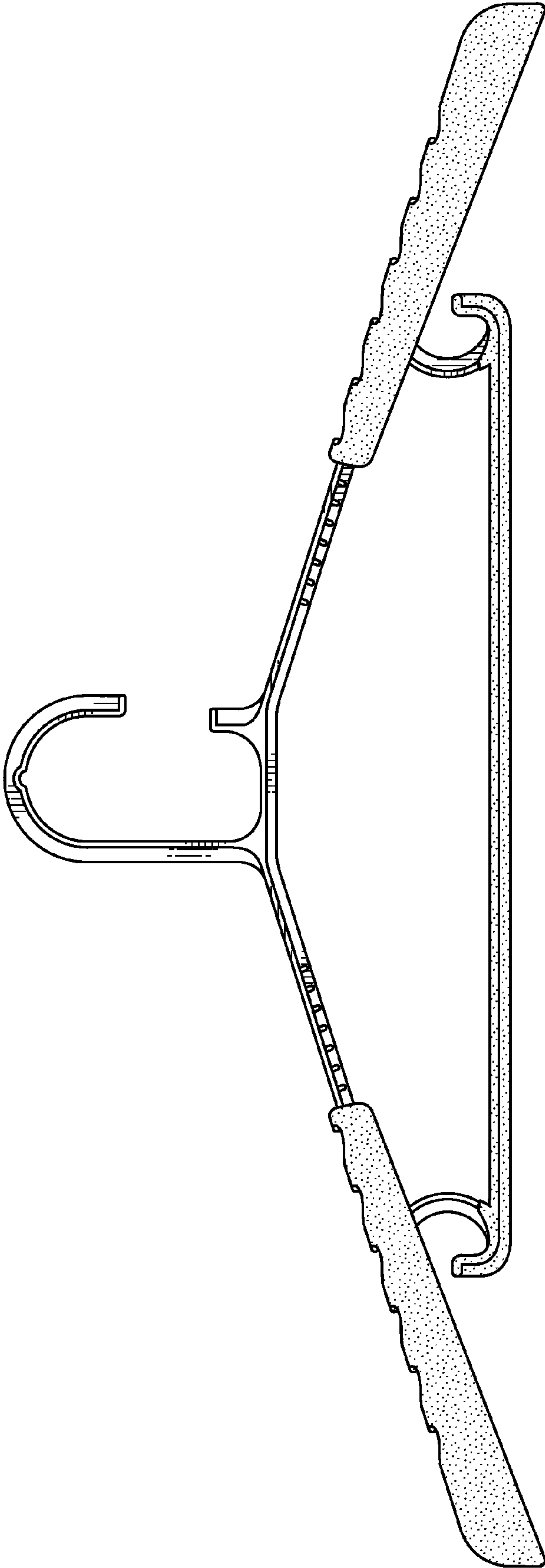


FIG. 8