



US00D620260S

(12) **United States Design Patent**
Emmert

(10) **Patent No.:** **US D620,260 S**
(45) **Date of Patent:** **** Jul. 27, 2010**

(54) **TOOL TRAY**

(75) Inventor: **Raymond L. Emmert**, Humacao, PR
(US)

(73) Assignee: **Emmert Second Limited Partnership**,
Humacao, PR (US)

(**) Term: **14 Years**

(21) Appl. No.: **29/341,511**

(22) Filed: **Aug. 6, 2009**

(51) **LOC (9) Cl.** **03-01**

(52) **U.S. Cl.** **D3/313**

(58) **Field of Classification Search** D3/304-310,
D3/313, 315, 318, 205, 273, 276; D32/53,
D32/53.1, 54; 220/507, 555, 23.83; 206/519,
206/562, 563, 217, 564; 229/406; 294/563
See application file for complete search history.

(56) **References Cited**

U.S. PATENT DOCUMENTS

4,219,144	A	*	8/1980	Hagelberg	229/406
D332,683	S	*	1/1993	Adolf	D32/53.1
D358,710	S	*	5/1995	Meyers et al.	D3/310
D358,933	S	*	6/1995	Stein	D3/273
D363,995	S	*	11/1995	Mollenhauer	D25/68
5,497,885	A	*	3/1996	Sussman	206/563
D385,111	S	*	10/1997	Dickinson et al.	D3/309
6,041,717	A		3/2000	Kubat		
D422,141	S	*	4/2000	Dembicks	D3/313
D433,568	S	*	11/2000	Willison	D3/310
D448,130	S		9/2001	Wagner		

D458,084	S		6/2002	Hudson		
D490,197	S		5/2004	Goulet		
D504,568	S	*	5/2005	Willison	D3/310
D508,774	S		8/2005	McAndrew		
7,077,238	B2		7/2006	Butler et al.		
D537,250	S	*	2/2007	Richard	D3/307
D537,633	S	*	3/2007	Marnell, II	D3/313
D563,667	S	*	3/2008	Carr et al.	D3/205
D573,940	S	*	7/2008	Heneghan et al.	D12/425

* cited by examiner

Primary Examiner—Robert M Spear

Assistant Examiner—Rashida C McCoy

(74) *Attorney, Agent, or Firm*—Fellers, Snider et al.

(57) **CLAIM**

The ornamental design for a tool tray, as shown and described.

DESCRIPTION

FIG. 1 is an isometric view of a tool tray, showing my new design.

FIG. 2 is a top plan view thereof.

FIG. 3 is a bottom plan view thereof.

FIG. 4 is a front elevational view thereof.

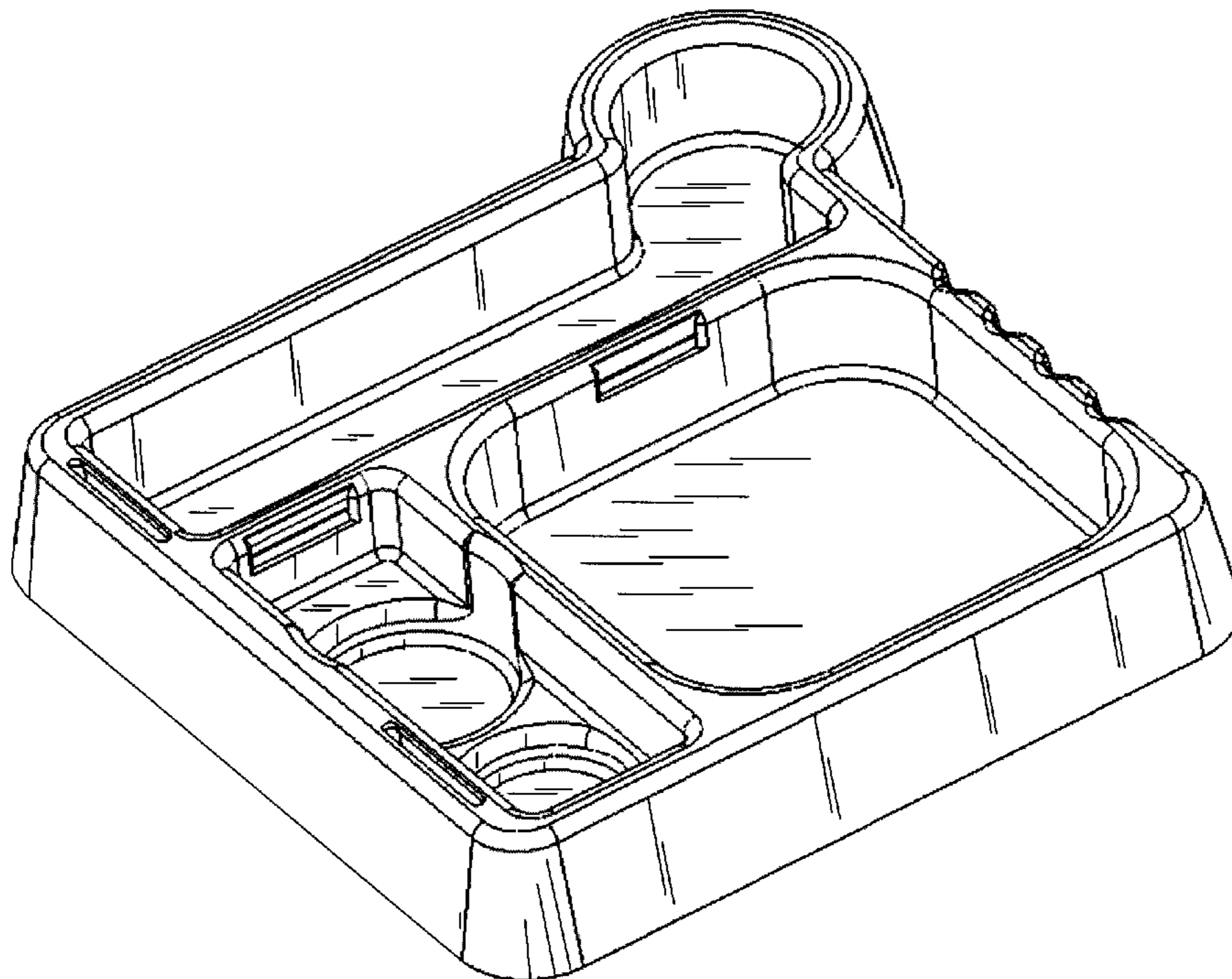
FIG. 5 is a rear elevational view thereof.

FIG. 6 is a left side elevational view thereof; and,

FIG. 7 is a right side elevational view thereof.

The broken lines illustrate environmental structure and form no part of the claimed design.

1 Claim, 5 Drawing Sheets



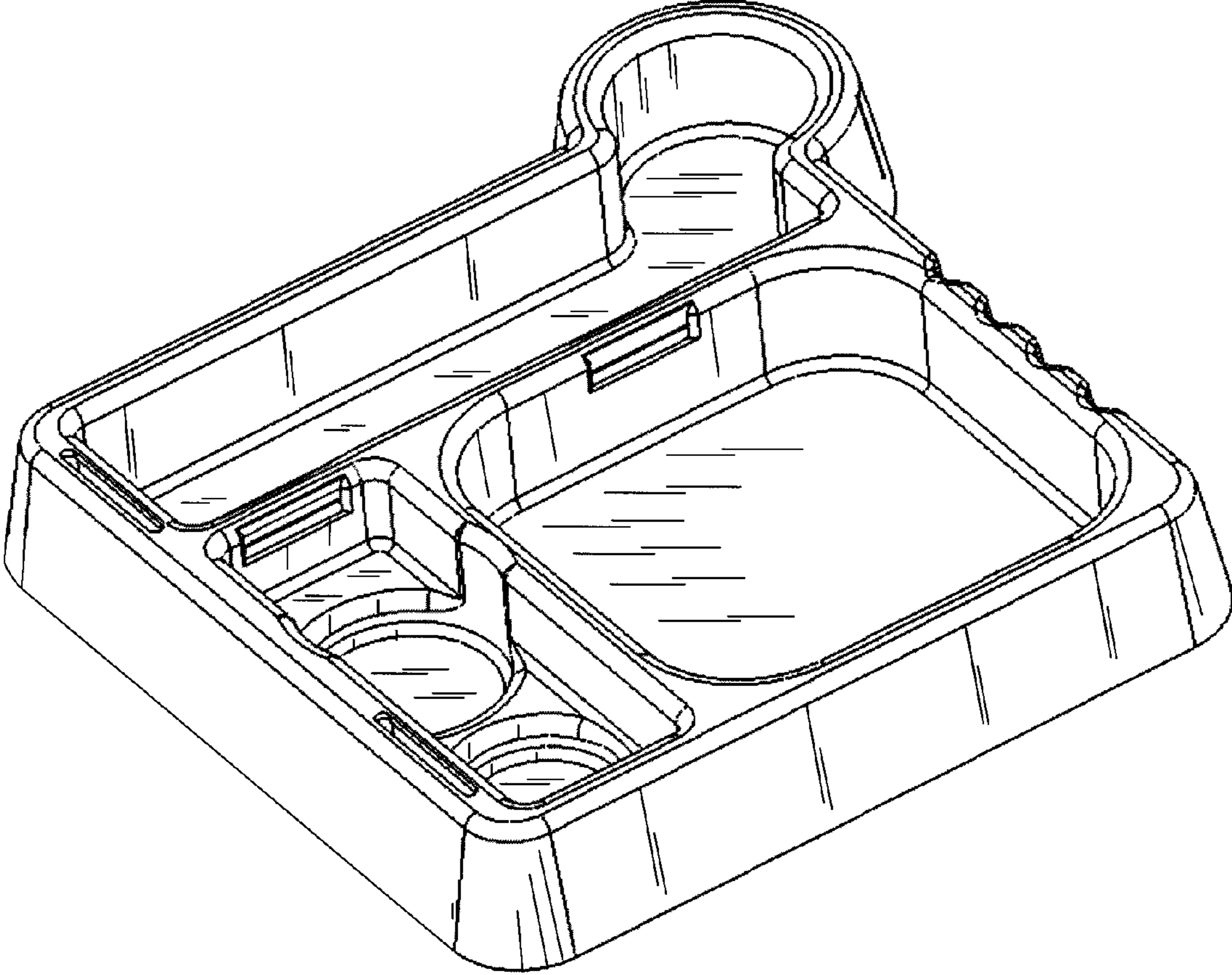


FIG. 1

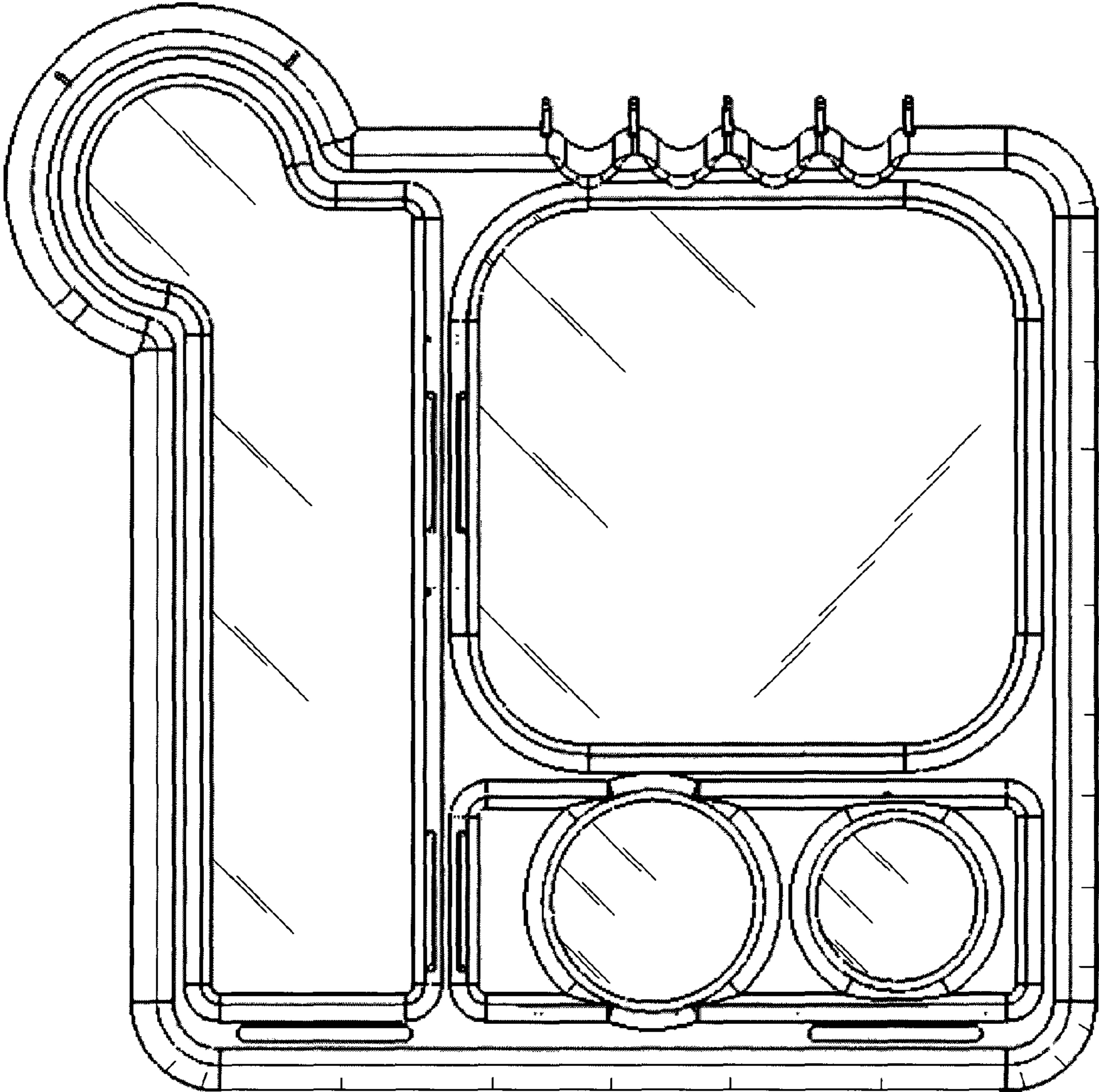


FIG. 2

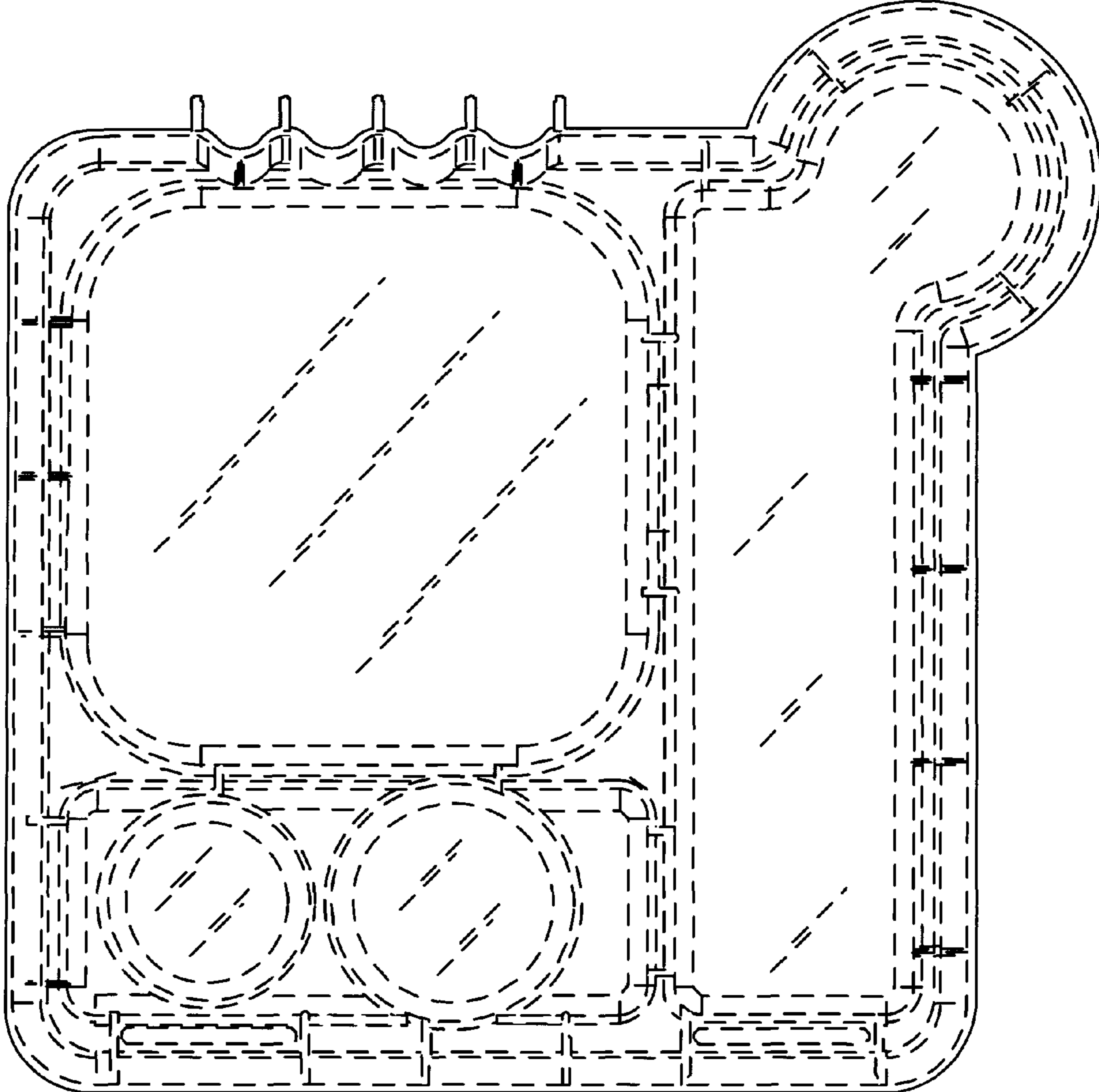


FIG. 3

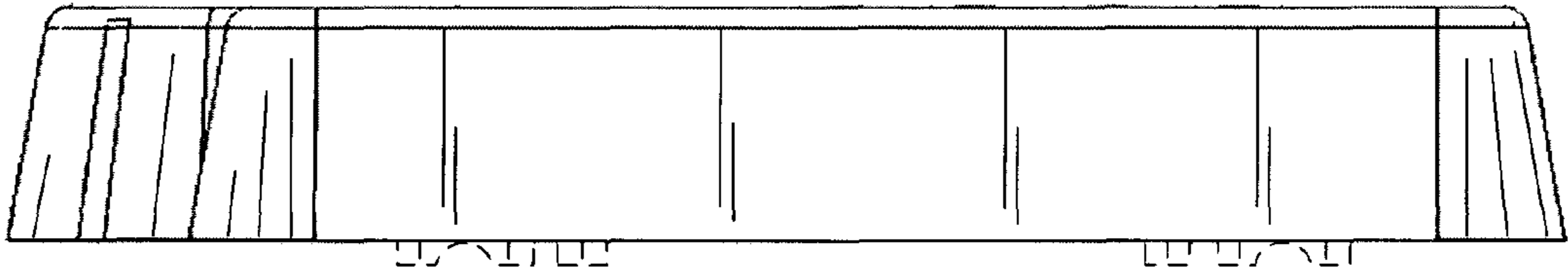


FIG. 4

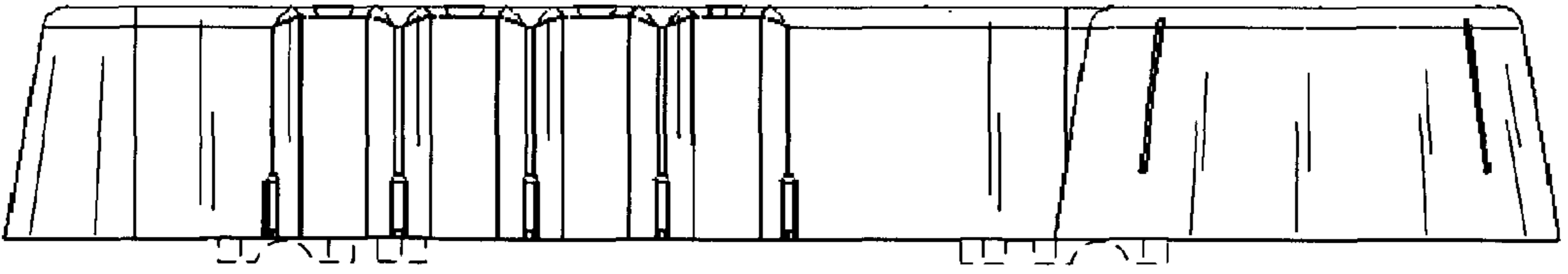


FIG. 5

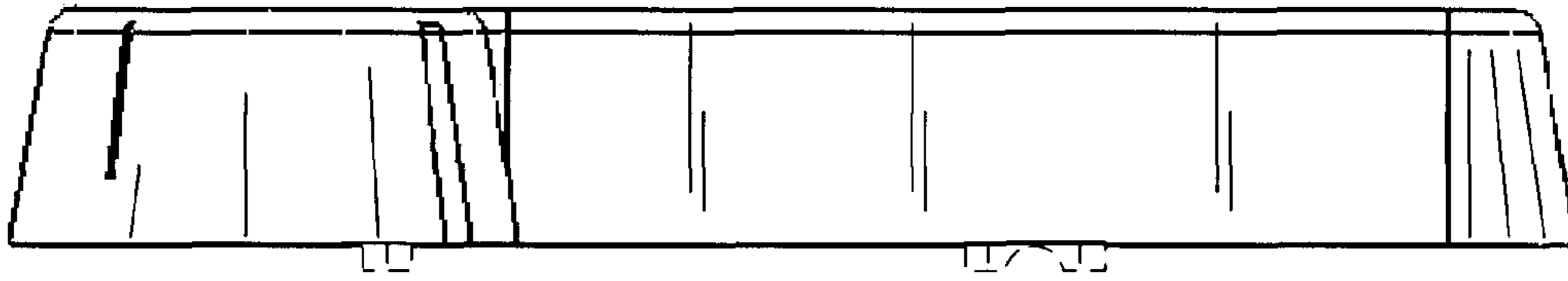


FIG. 6

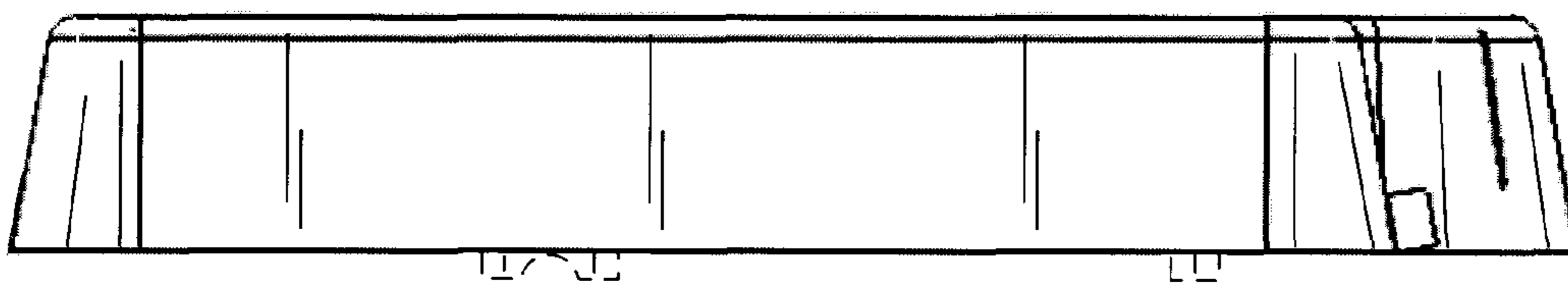


FIG. 7