



US00D620255S

(12) **United States Design Patent**  
**Chang**

(10) **Patent No.:** **US D620,255 S**  
(45) **Date of Patent:** **\*\* Jul. 27, 2010**

(54) **TOOL BOX**

(76) Inventor: **Ming-Chi Chang**, 12F-4, No. 666, Sec. 5, Wuquan W. Rd., Nantun District, Taichung City (TW) 40878

(\*\*) Term: **14 Years**

(21) Appl. No.: **29/345,311**

(22) Filed: **Oct. 14, 2009**

(51) **LOC (9) Cl.** ..... **03-01**

(52) **U.S. Cl.** ..... **D3/282; D3/905**

(58) **Field of Classification Search** ..... D3/201, D3/273, 274, 282-286, 293-295, 315, 905, D3/23.2, 203.6-303.8; D9/415, 420-424; 206/349, 372-374, 379, 375, 377; 312/902  
See application file for complete search history.

(56) **References Cited**

**U.S. PATENT DOCUMENTS**

4,344,646	A *	8/1982	Michel	.....	292/87
D351,504	S *	10/1994	Tarozzi	.....	D3/276
D391,760	S *	3/1998	Zeller	.....	D3/281
D412,397	S *	8/1999	Liu	.....	D3/282
6,070,754	A *	6/2000	Newby, Sr.	.....	220/675
D516,311	S *	3/2006	Lai	.....	D3/282

7,059,472	B2 *	6/2006	Lai	.....	206/372
D529,716	S *	10/2006	Wang	.....	D3/282
D568,046	S *	5/2008	Hsu	.....	D3/282
D568,607	S *	5/2008	Hsu	.....	D3/282
D604,510	S *	11/2009	Cho	.....	D3/282
2006/0201833	A1 *	9/2006	Chen	.....	206/349
2007/0074984	A1 *	4/2007	Liu	.....	206/349

\* cited by examiner

*Primary Examiner*—Prabhakar Deshmukh

(57) **CLAIM**

The ornamental design for a tool box, as shown and described.

**DESCRIPTION**

FIG. 1 is a perspective view of a tool box showing my new design;

FIG. 2 is a front elevational view thereof;

FIG. 3 is a rear elevational view thereof;

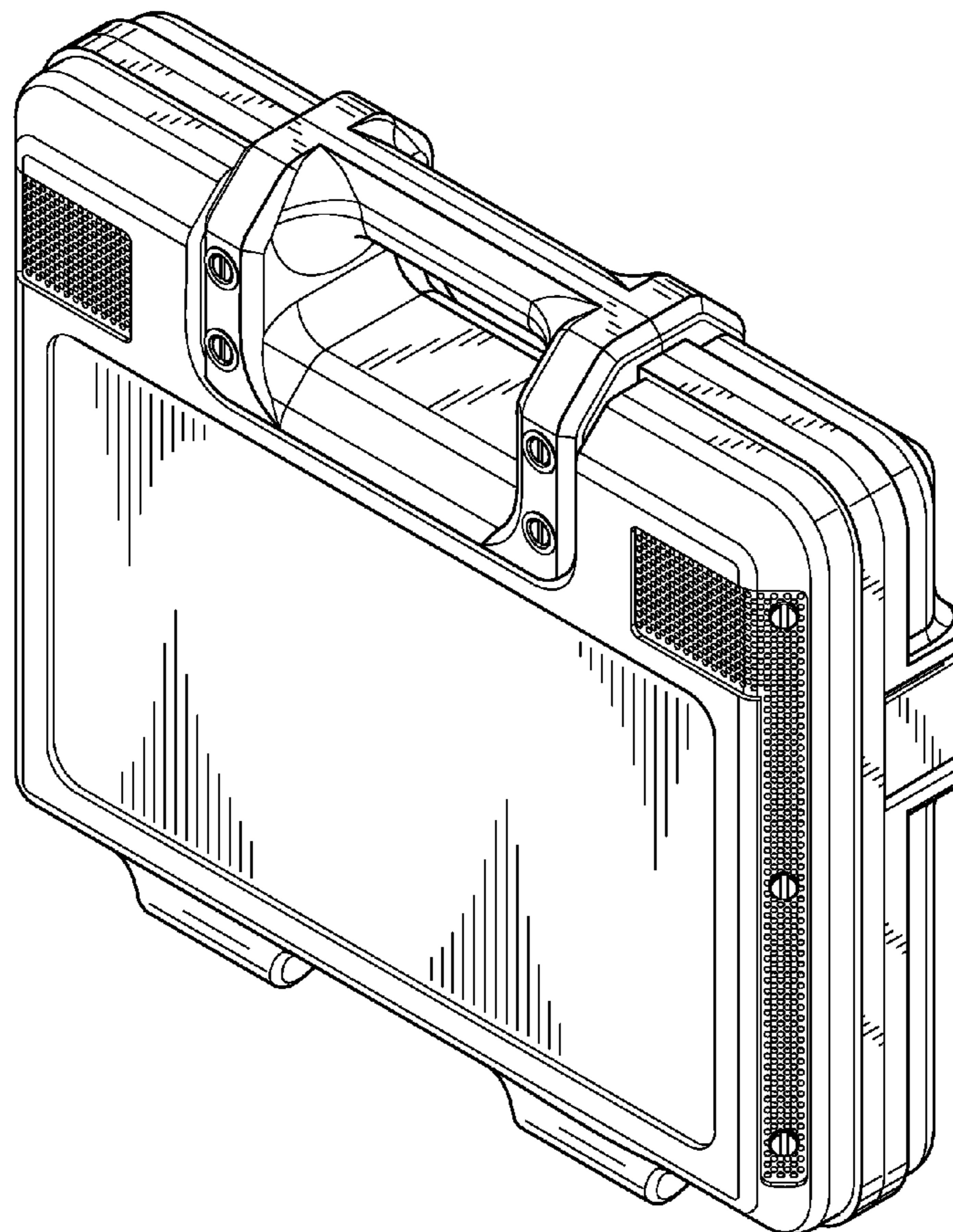
FIG. 4 is a left side view thereof;

FIG. 5 is a right side view thereof;

FIG. 6 is a top plan view thereof; and,

FIG. 7 is a bottom plan view thereof.

**1 Claim, 5 Drawing Sheets**



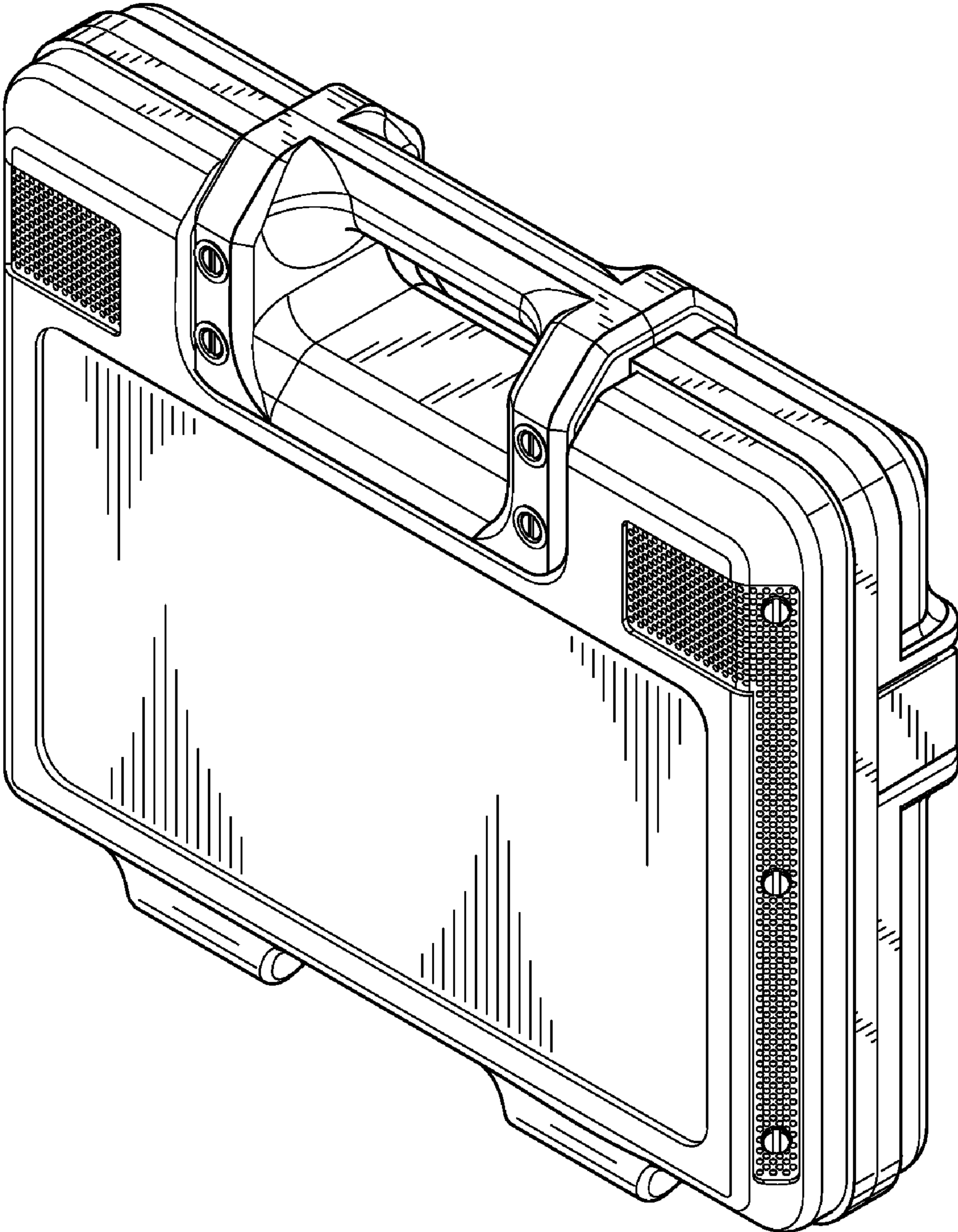


FIG. 1

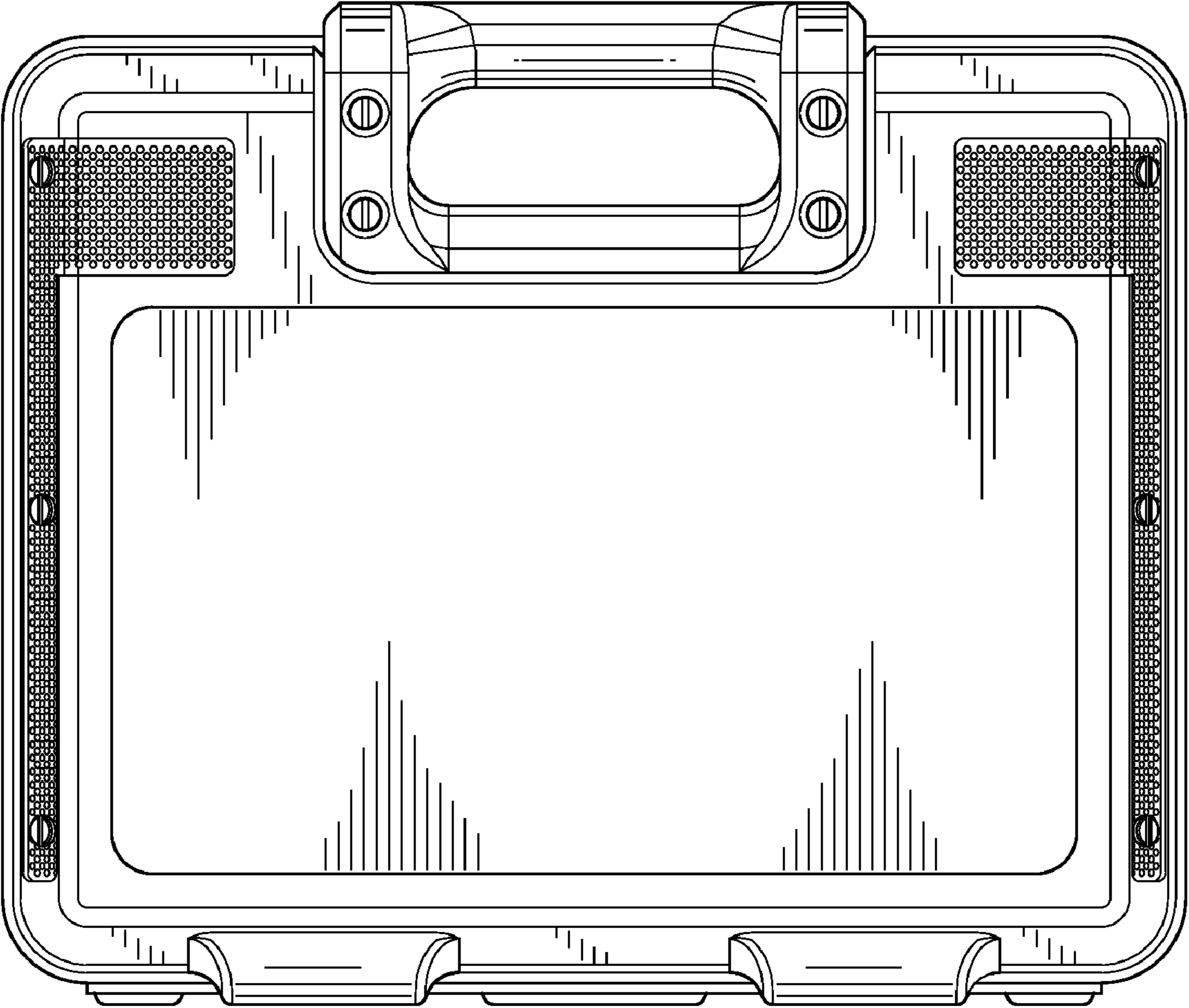


FIG. 2

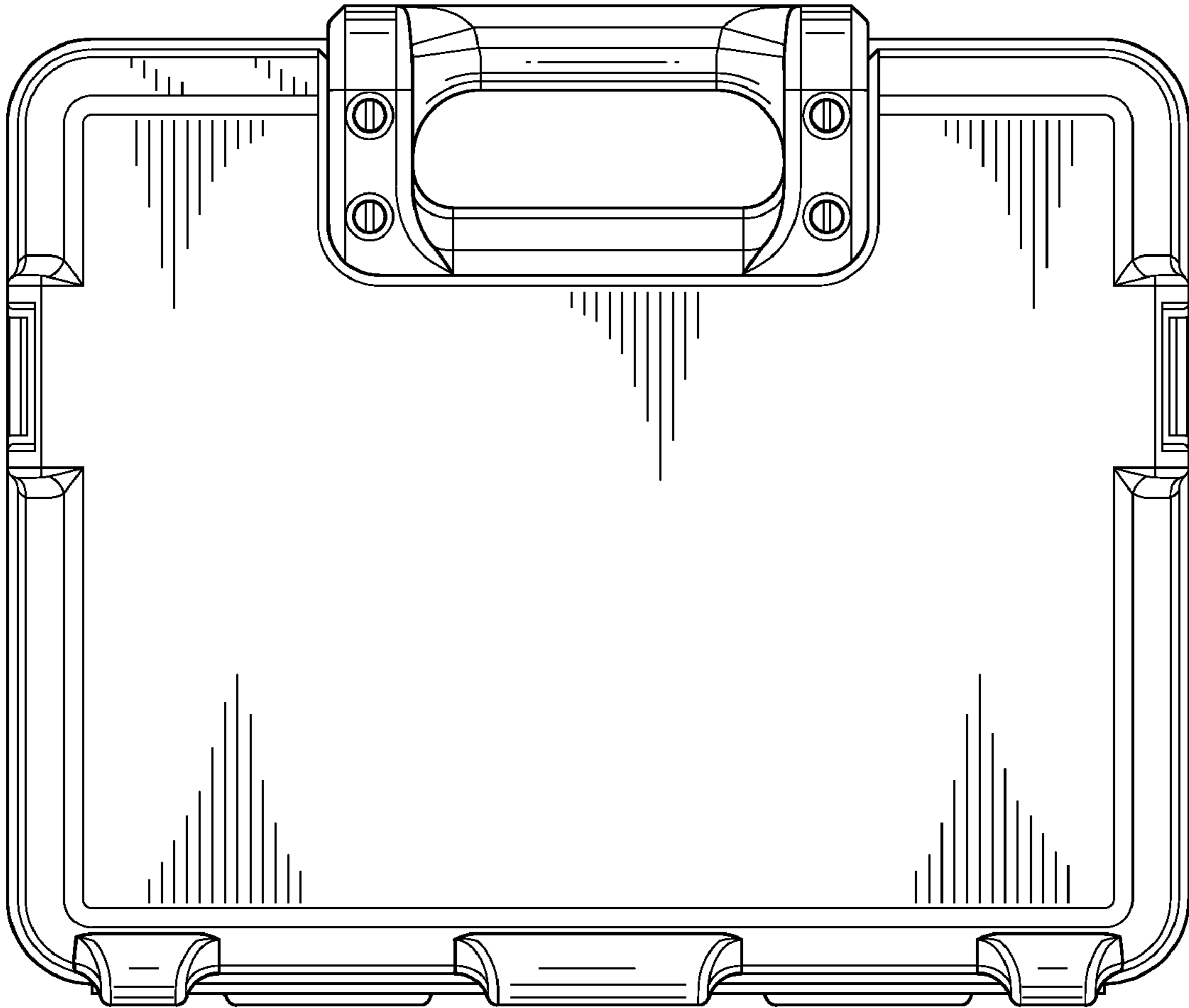


FIG. 3



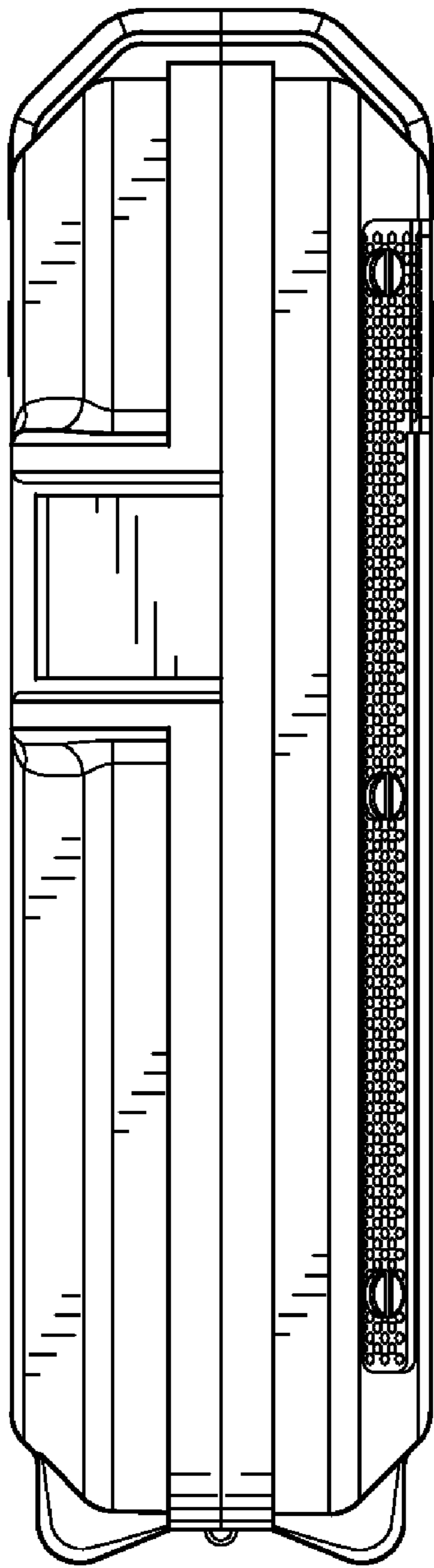


FIG. 4

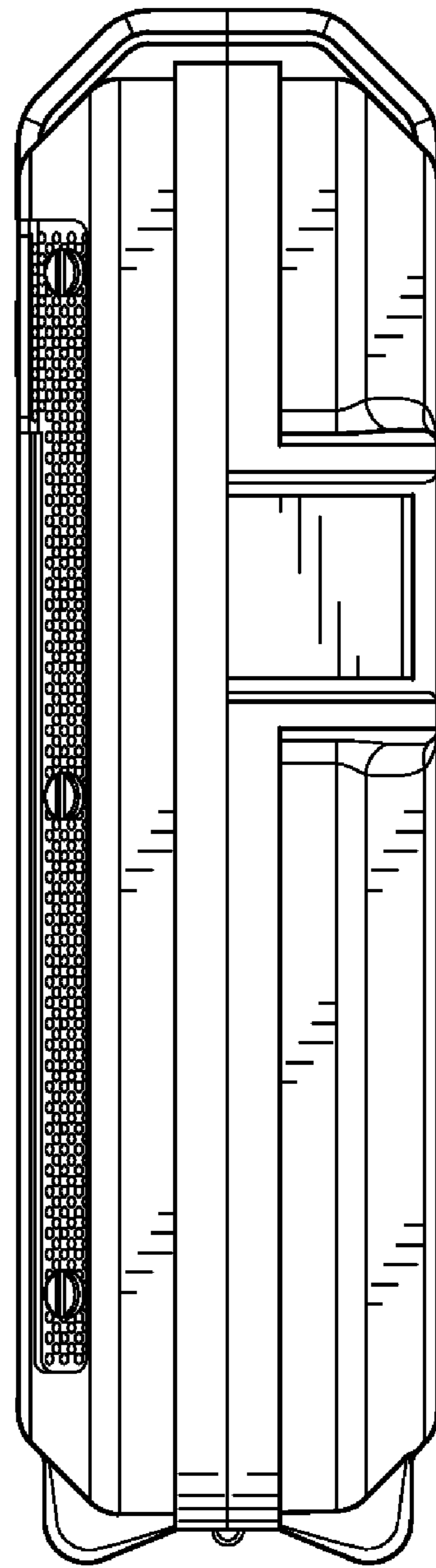


FIG. 5

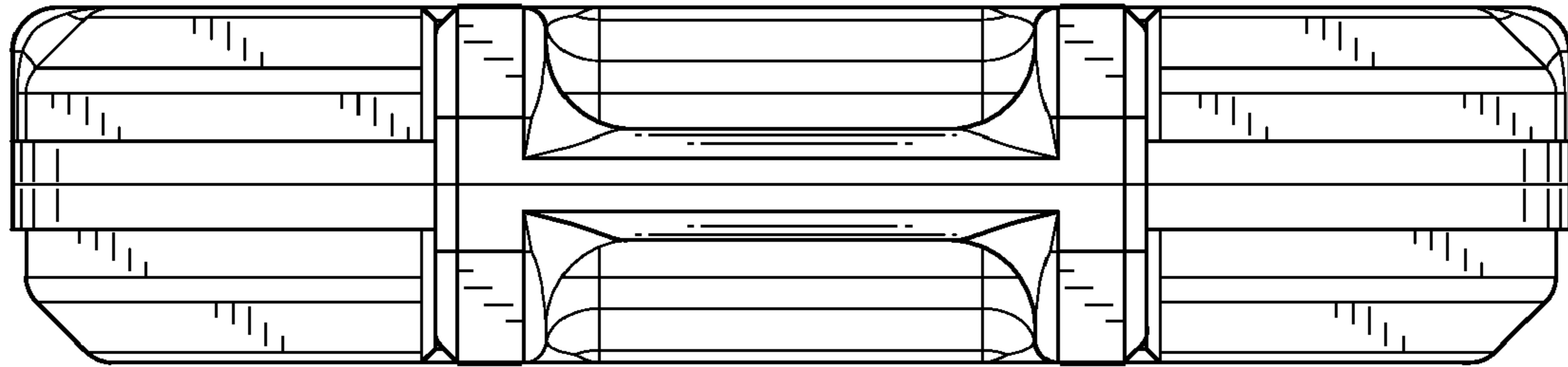


FIG. 6

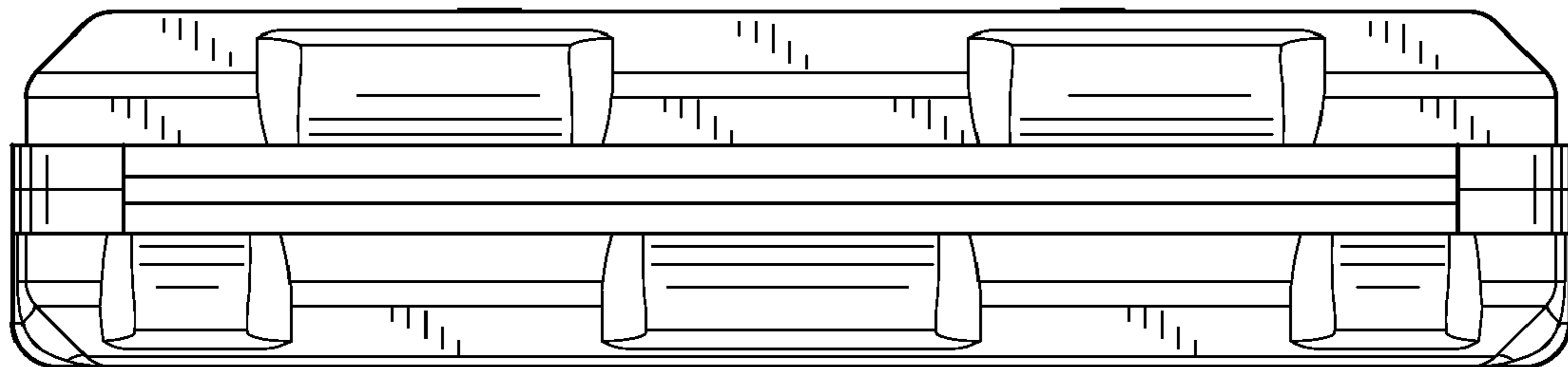


FIG. 7