



US00D620254S

(12) **United States Design Patent**  
**Noraker**

(10) **Patent No.:** **US D620,254 S**

(45) **Date of Patent:** **\*\* Jul. 27, 2010**

(54) **FISHING TACKLE BAG**

(75) Inventor: **Alan G. Noraker**, Aurora, CO (US)

(73) Assignee: **Wright & McGill Co.**, Denver, CO (US)

(\*\*) Term: **14 Years**

(21) Appl. No.: **29/335,180**

(22) Filed: **Apr. 9, 2009**

(51) **LOC (9) Cl.** ..... **03-01**

(52) **U.S. Cl.** ..... **D3/260**

(58) **Field of Classification Search** ..... D3/257,  
D3/262, 254, 260, 208, 266, 273, 904, 905;  
206/317; 42/96; 124/25.6; D9/431; D7/709,  
D7/607; 383/118; 224/150

See application file for complete search history.

(56) **References Cited**

**U.S. PATENT DOCUMENTS**

- D109,938 S \* 5/1938 Lightfoot et al. .... D7/709
- D112,729 S \* 12/1938 Worthington ..... D7/709
- D154,065 S \* 6/1949 Phillips et al. .... D22/139
- 4,739,809 A \* 4/1988 Adams ..... 150/112
- D321,981 S \* 12/1991 Hanke ..... D3/267
- D401,059 S \* 11/1998 Blackburn ..... D3/260
- D410,333 S \* 6/1999 Coca ..... D3/260
- D433,885 S \* 11/2000 Daw ..... D7/709

D600,443 S \* 9/2009 Hinds ..... D3/262

\* cited by examiner

*Primary Examiner*—Robert M Spear

*Assistant Examiner*—Cynthia Underwood

(74) *Attorney, Agent, or Firm*—Sheridan Ross P.C.

(57) **CLAIM**

The ornamental design for a fishing tackle bag, as shown and described.

**DESCRIPTION**

FIG. 1 is a front perspective view of a fishing tackle bag, showing my new design in the environment of a fishing rod;

FIG. 2 is a top plan view of the invention illustrated in FIG. 1;

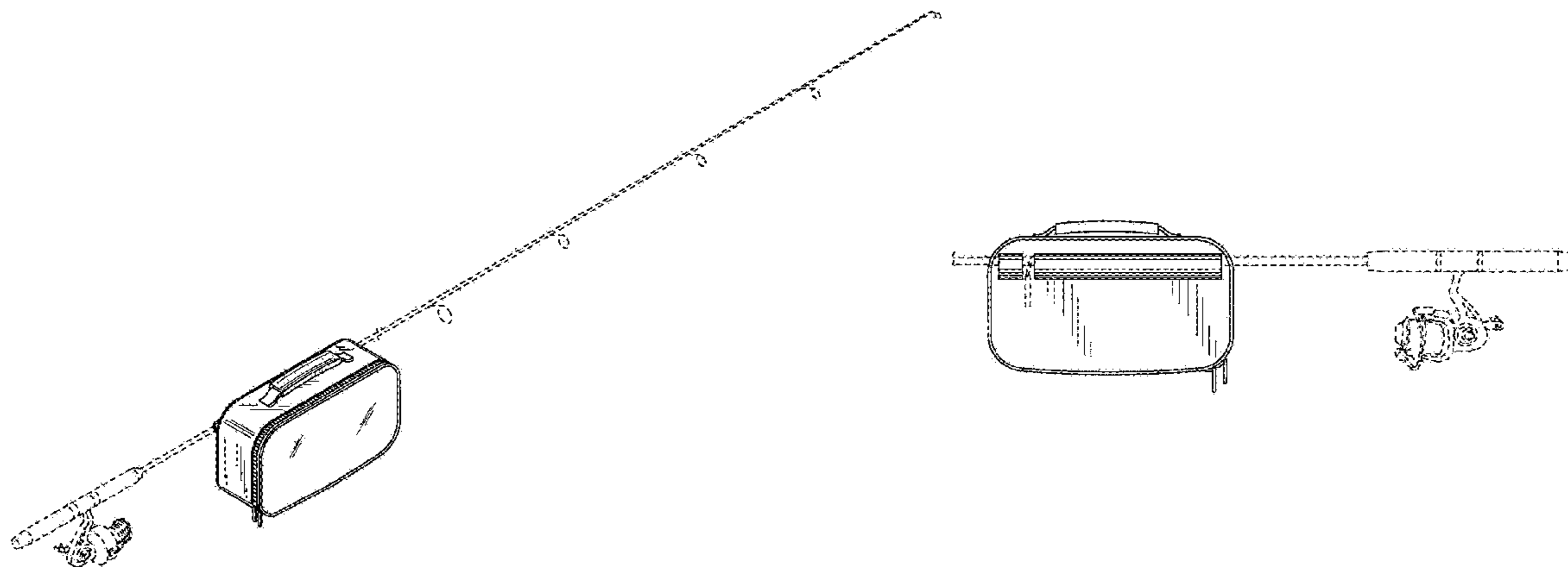
FIG. 3 is a front elevation view of the invention illustrated in FIG. 1;

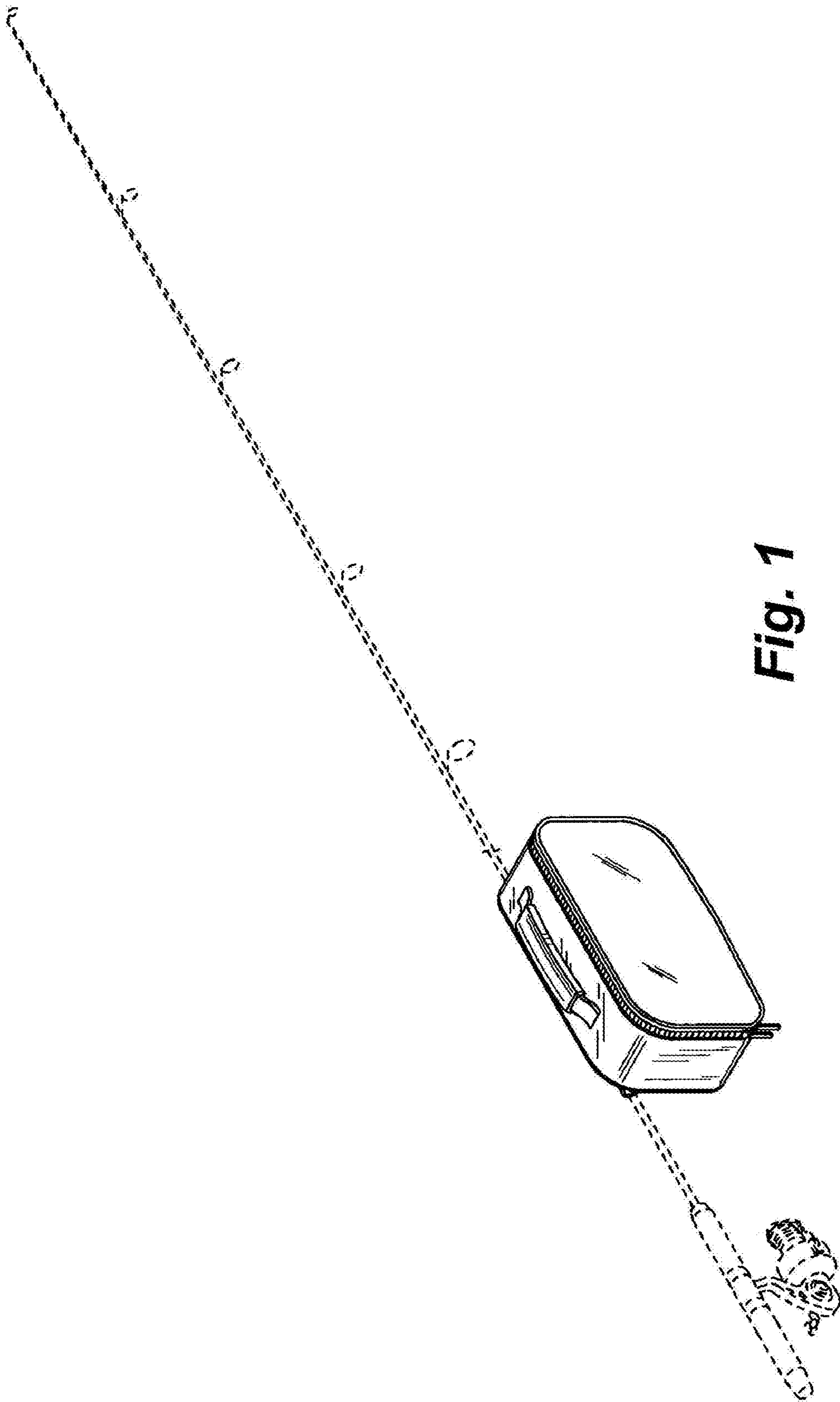
FIG. 4 is a bottom plan view of the invention illustrated in FIG. 1; and,

FIG. 5 is a rear elevation view of the invention illustrated in FIG. 1.

The broken lines shown in the figures represent the environment in which the item is used and form no part of the claimed design. The oblique shade lines indicate a transparent material. In the figures, no features behind the transparent material are illustrated, because there is a solid panel behind the transparent material.

**1 Claim, 2 Drawing Sheets**





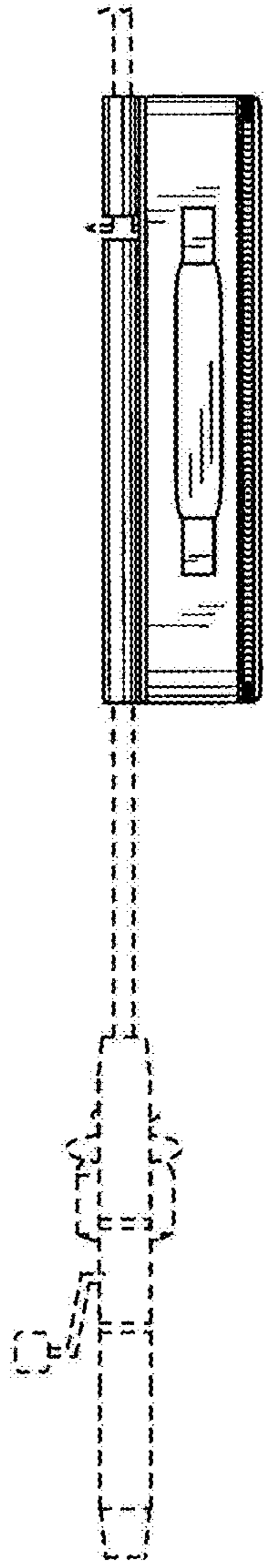


Fig. 2

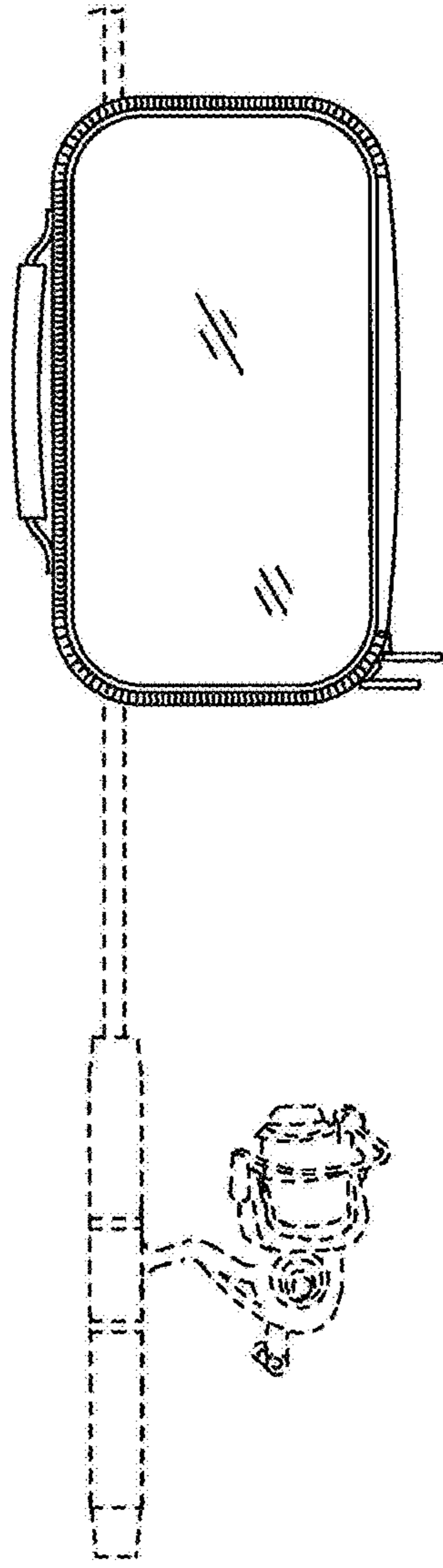


Fig. 3

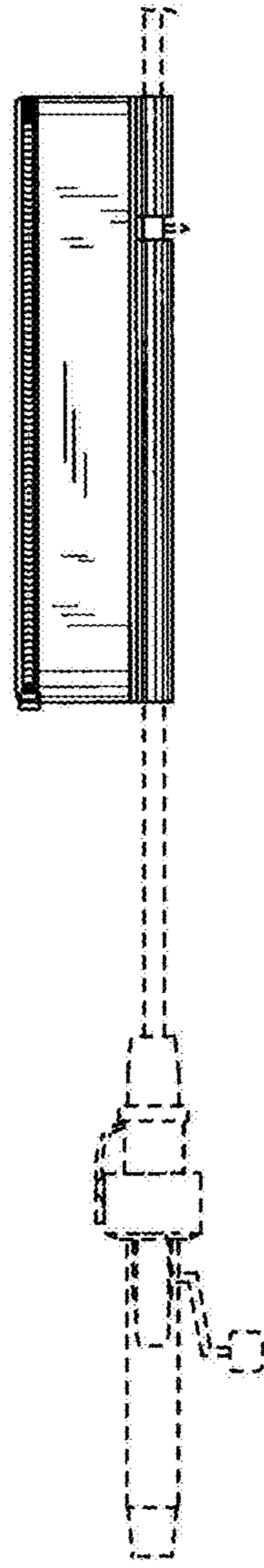


Fig. 4

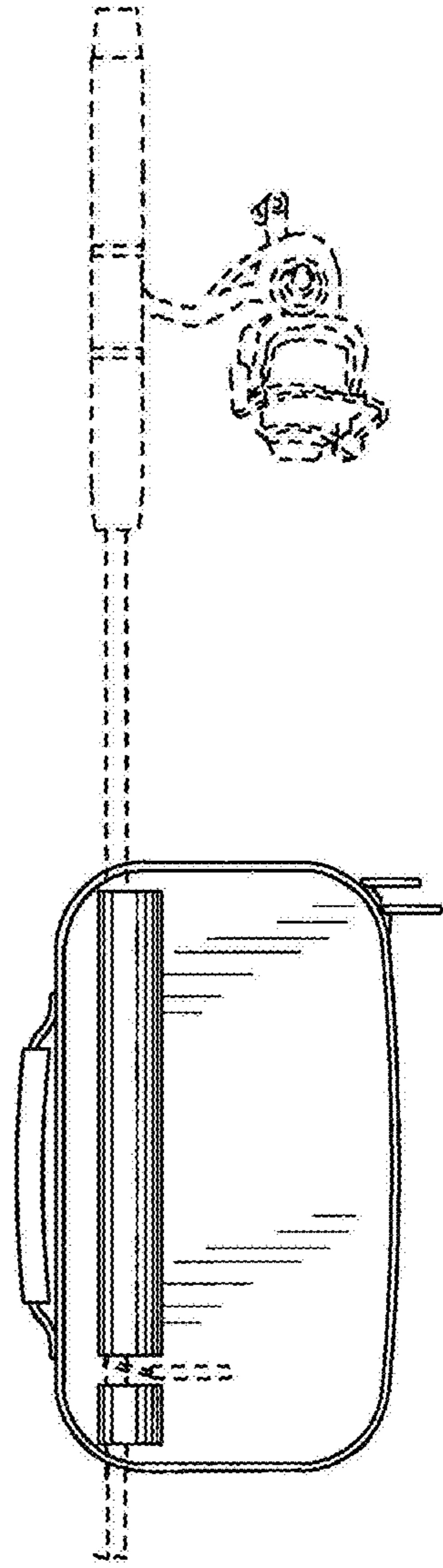


Fig. 5