

US00D620253S

(12) **United States Design Patent**  
**Baker**

(10) **Patent No.:** **US D620,253 S**

(45) **Date of Patent:** **\*\* Jul. 27, 2010**

(54) **GOLF BALL AND ACCESSORY BAG**

7,424,962 B2 \* 9/2008 Mooney ..... 224/675

(76) Inventor: **Val Douglas Baker**, 4205 W. Park Dr.,  
Highland, UT (US) 84003

(\*\*) Term: **14 Years**

(21) Appl. No.: **29/324,376**

(22) Filed: **Sep. 11, 2008**

(51) **LOC (9) Cl.** ..... **03-01**

(52) **U.S. Cl.** ..... **D3/257**

(58) **Field of Classification Search** ..... D3/254,  
D3/255, 215, 303; 206/315.9, 315.91; 224/251,  
224/918, 919

See application file for complete search history.

(56) **References Cited**

**U.S. PATENT DOCUMENTS**

4,079,871	A *	3/1978	Sica	.....	224/677
5,186,374	A *	2/1993	Buxton	.....	224/191
5,259,541	A *	11/1993	Reese	.....	224/663
D358,252	S *	5/1995	Harris, Jr.	.....	D3/226
5,609,419	A *	3/1997	Byers, Jr.	.....	383/33
5,772,090	A *	6/1998	Rodriguez	.....	224/251
5,839,631	A *	11/1998	Hebert et al.	.....	224/251
6,189,732	B1 *	2/2001	Althaus et al.	.....	221/155
6,357,586	B2 *	3/2002	Pratt et al.	.....	206/315.9
D504,483	S *	4/2005	Leung	.....	D3/221
D515,937	S	2/2006	Bowling		
D538,540	S	3/2007	Barouh		
D539,031	S	3/2007	Balchunas et al.		
D543,024	S	5/2007	More		

**OTHER PUBLICATIONS**

*Ball Sack*. The 5<sup>th</sup> Base LLC. Feb. 11, 2009, pp. 1-4. <<http://www.theballsack.net/>>.

*Macho Balls: Unique Golf Gifts, Golf Bags*. Macho Balls. Feb. 11, 2009, p. 1. <<http://www.machoballs.com/>>.

"Scrotum Gift Shop." *Australia Gift Shop*. Feb. 11, 2009, pp. 1-3. <[http://www.australiagift.com/scrotum\\_shop/scrotum.htm](http://www.australiagift.com/scrotum_shop/scrotum.htm)>.

\* cited by examiner

*Primary Examiner*—Philip S Hyder

*Assistant Examiner*—Anna J Burmeister

(74) *Attorney, Agent, or Firm*—Morriss O'Bryant Compagni, P.C.

(57) **CLAIM**

The ornamental design for a golf ball and accessory bag, as shown and described.

**DESCRIPTION**

FIG. 1 is a perspective front side view of a golf ball and accessory bag of the present invention;

FIG. 2 is front side view of the golf ball and accessory bag;

FIG. 3 is a back side view of the golf ball and accessory bag;

FIG. 4 is a left side view of the golf ball and accessory bag;

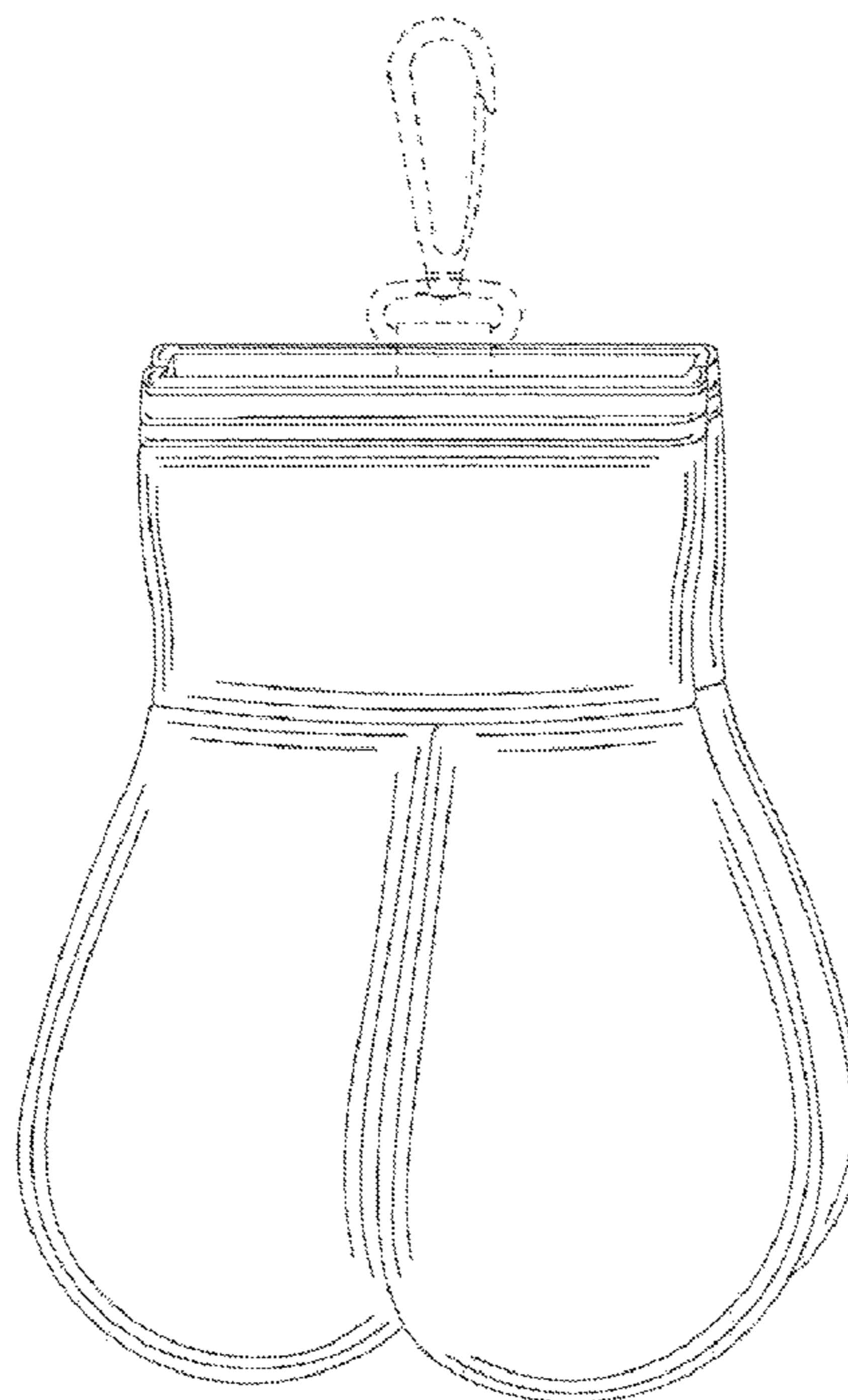
FIG. 5 is a right side view of the golf ball and accessory bag;

FIG. 6 is a top side view of the golf ball and accessory bag; and,

FIG. 7 is a bottom side view of the golf ball and accessory bag.

The broken lines shown in the drawings are for illustrative purposes only and form no part of the claimed design.

**1 Claim, 7 Drawing Sheets**



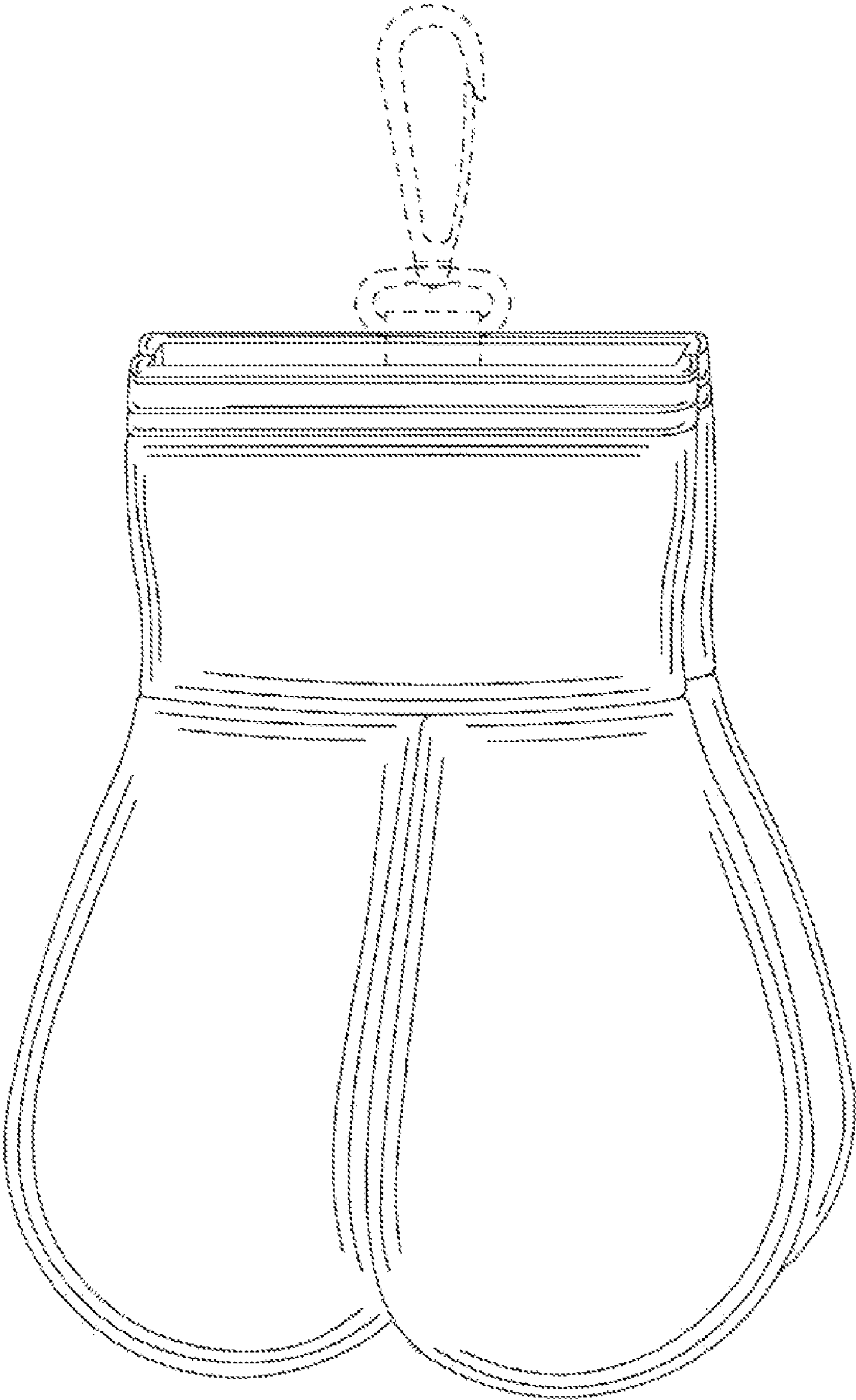


FIG. 1

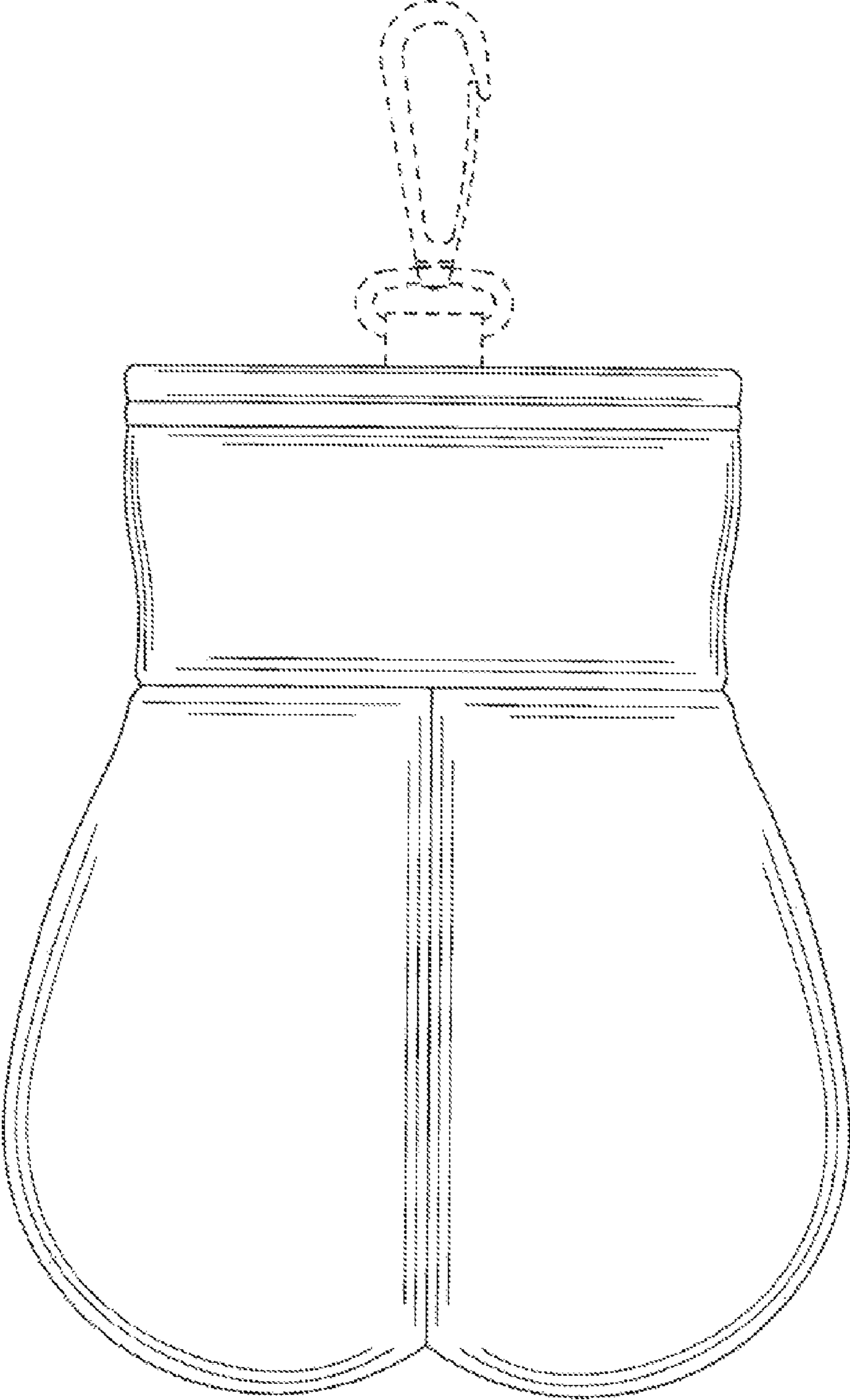


FIG. 2

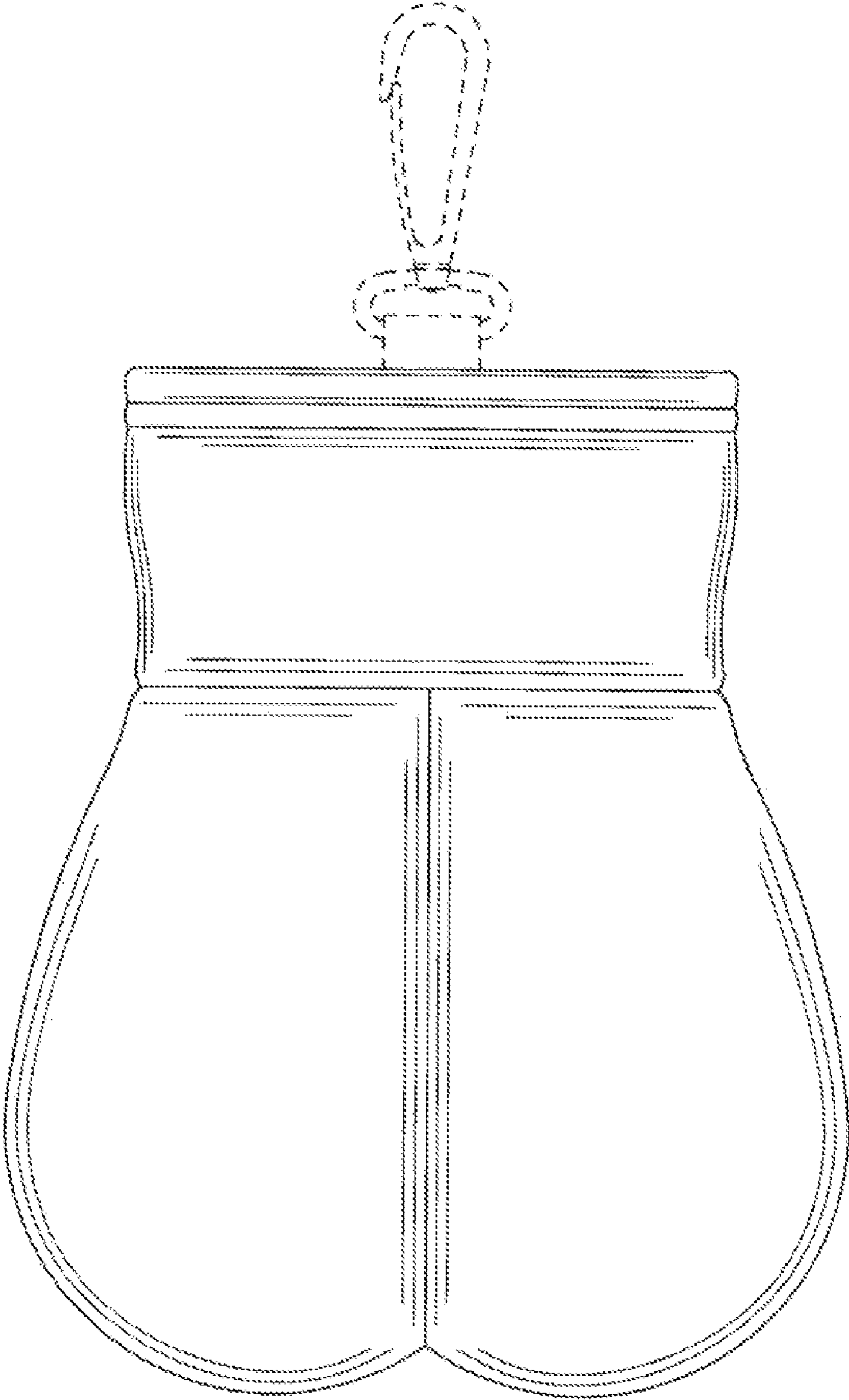


FIG. 3

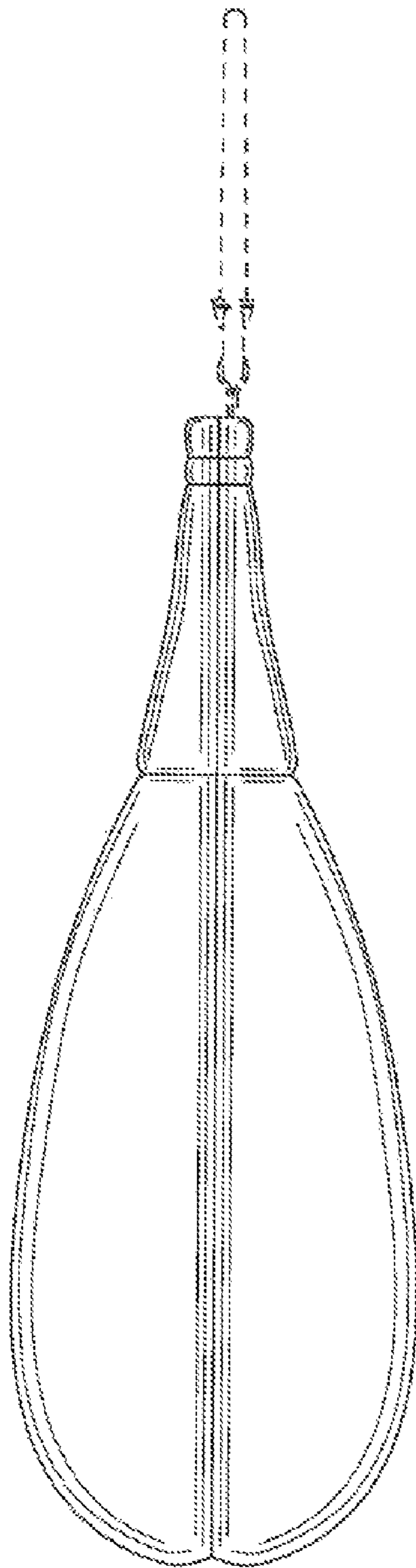


FIG. 4



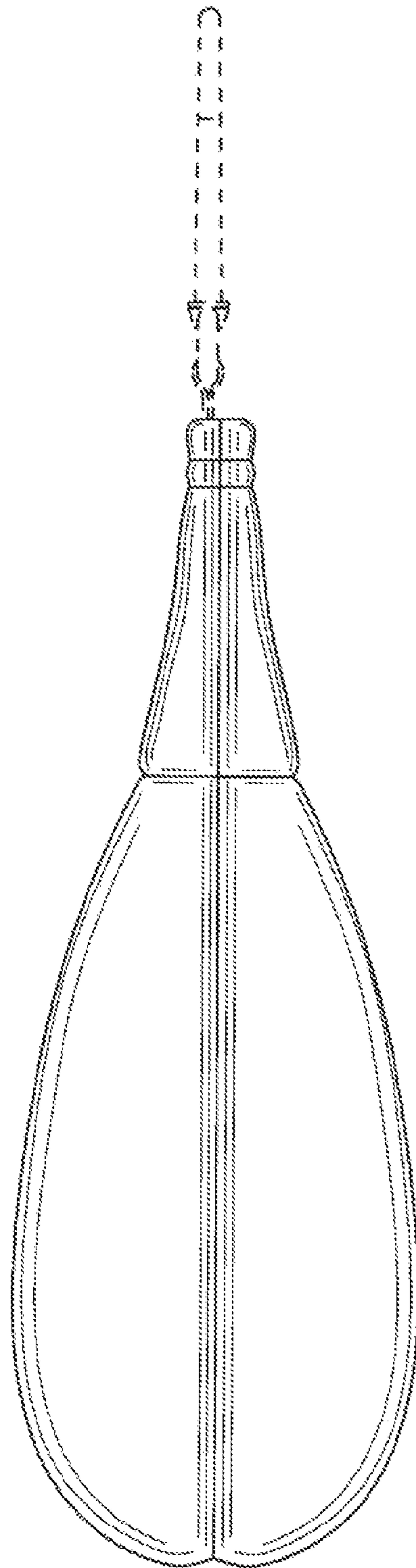


FIG. 5

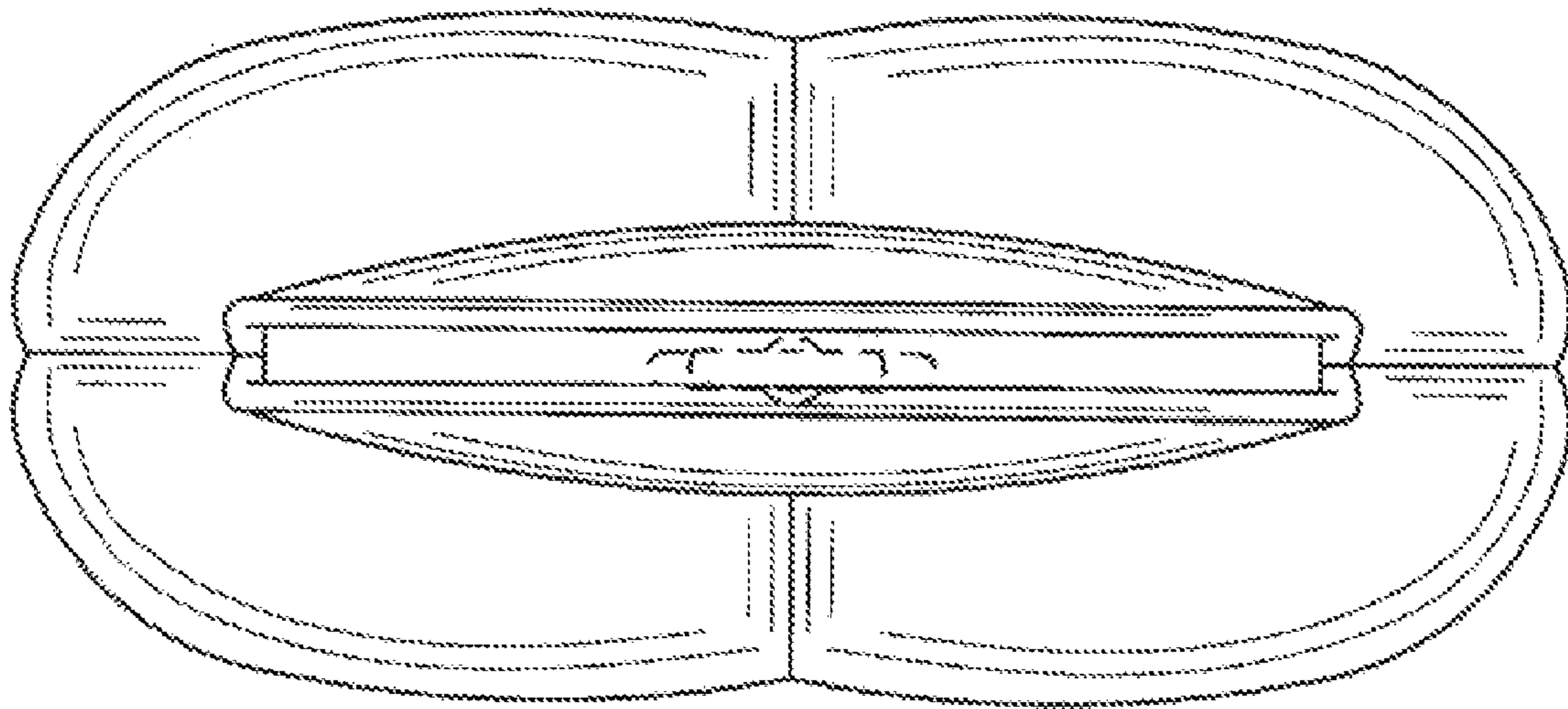


FIG. 6

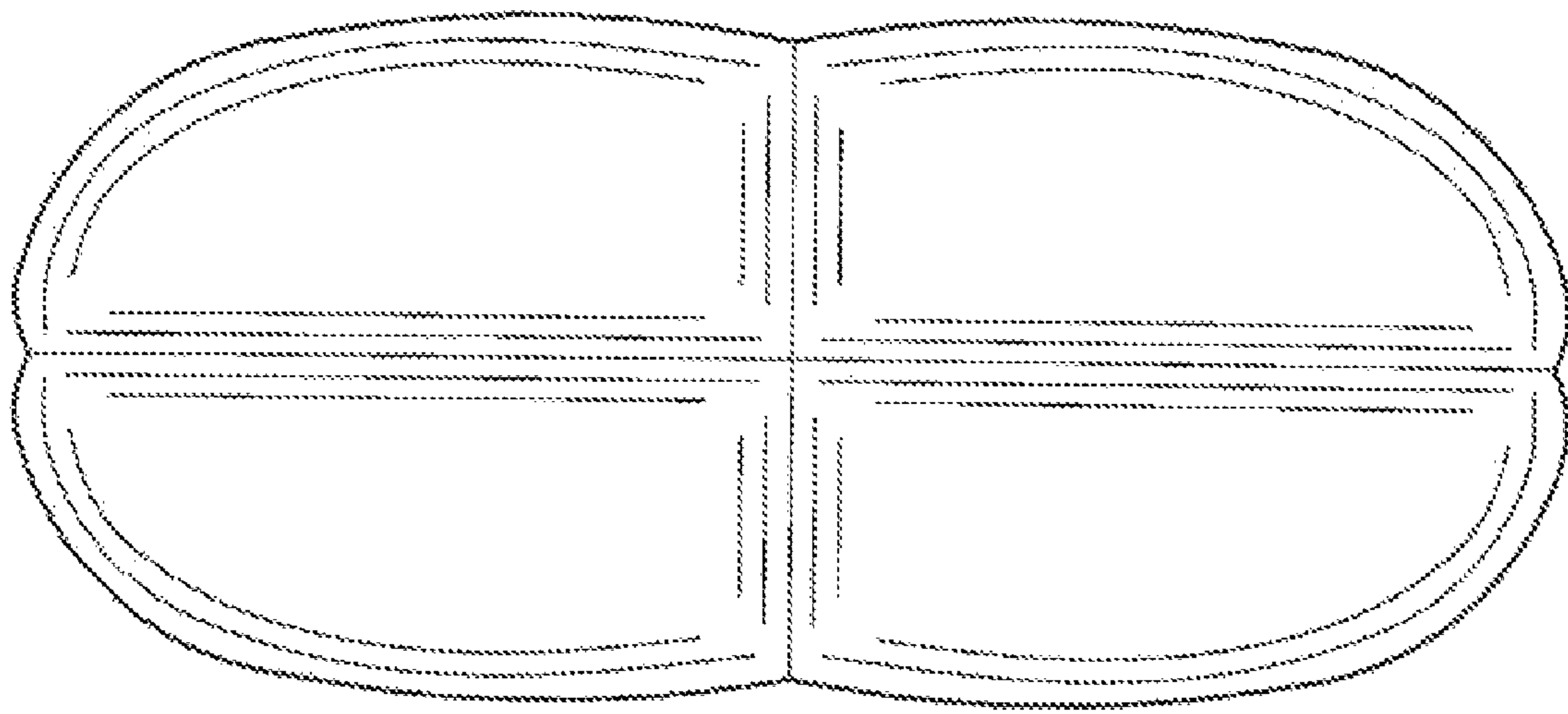


FIG. 7