



US00D620249S

(12) **United States Design Patent**
Yu

(10) **Patent No.:** **US D620,249 S**
(45) **Date of Patent:** **** *Jul. 27, 2010**

(54) **SHOPPING BAG**

(76) Inventor: **Peter Yu**, 2988 Columbia St., Torrance,
CA (US) 90503

(*) Notice: This patent is subject to a terminal disclaimer.

(**) Term: **14 Years**

(21) Appl. No.: **29/350,404**

(22) Filed: **Nov. 16, 2009**

(51) **LOC (9) Cl.** **03-01**

(52) **U.S. Cl.** **D3/232**

(58) **Field of Classification Search** D3/232–233,
D3/240–246, 318, 324; 150/100, 103–110,
150/113–114, 118–119

See application file for complete search history.

(56) **References Cited**

U.S. PATENT DOCUMENTS

1,556,352	A	10/1925	Ritter	
4,153,146	A	5/1979	Patton et al.	
4,244,408	A	1/1981	Shoda	
4,560,096	A	12/1985	Lucas et al.	
D334,839	S	4/1993	Dancyger	
5,988,879	A	11/1999	Bredderman et al.	
D422,411	S *	4/2000	Martin	D3/303
D423,215	S *	4/2000	Furlanetto	D3/303
6,287,002	B1	9/2001	Sherman et al.	
D506,060	S	6/2005	Achilles	
7,118,276	B2	10/2006	Clark	
D596,396	S *	7/2009	McCoy et al.	D3/232
D603,606	S *	11/2009	Wang	D3/232
2004/0114836	A1	6/2004	LeClaire	
2006/0201979	A1	9/2006	Achilles	

FOREIGN PATENT DOCUMENTS

CN 3466138 8/2005

CN ZL 200520107199.4 1/2007

CN ZL 200620129723.2 4/2008

DE GM 7918907 U1 10/1979

DE G 8201173.7 U1 7/1982

DE 29703645 U1 7/1997

(Continued)

OTHER PUBLICATIONS

Co-pending U.S. Appl. No. 29/344,996, Peter Yu.

(Continued)

Primary Examiner—Holly H Baynham

(74) *Attorney, Agent, or Firm*—Trojan Law Offices

(57) **CLAIM**

The ornamental design for a shopping bag, as shown and described.

DESCRIPTION

FIG. 1 is a perspective view of a shopping bag, showing my new design;

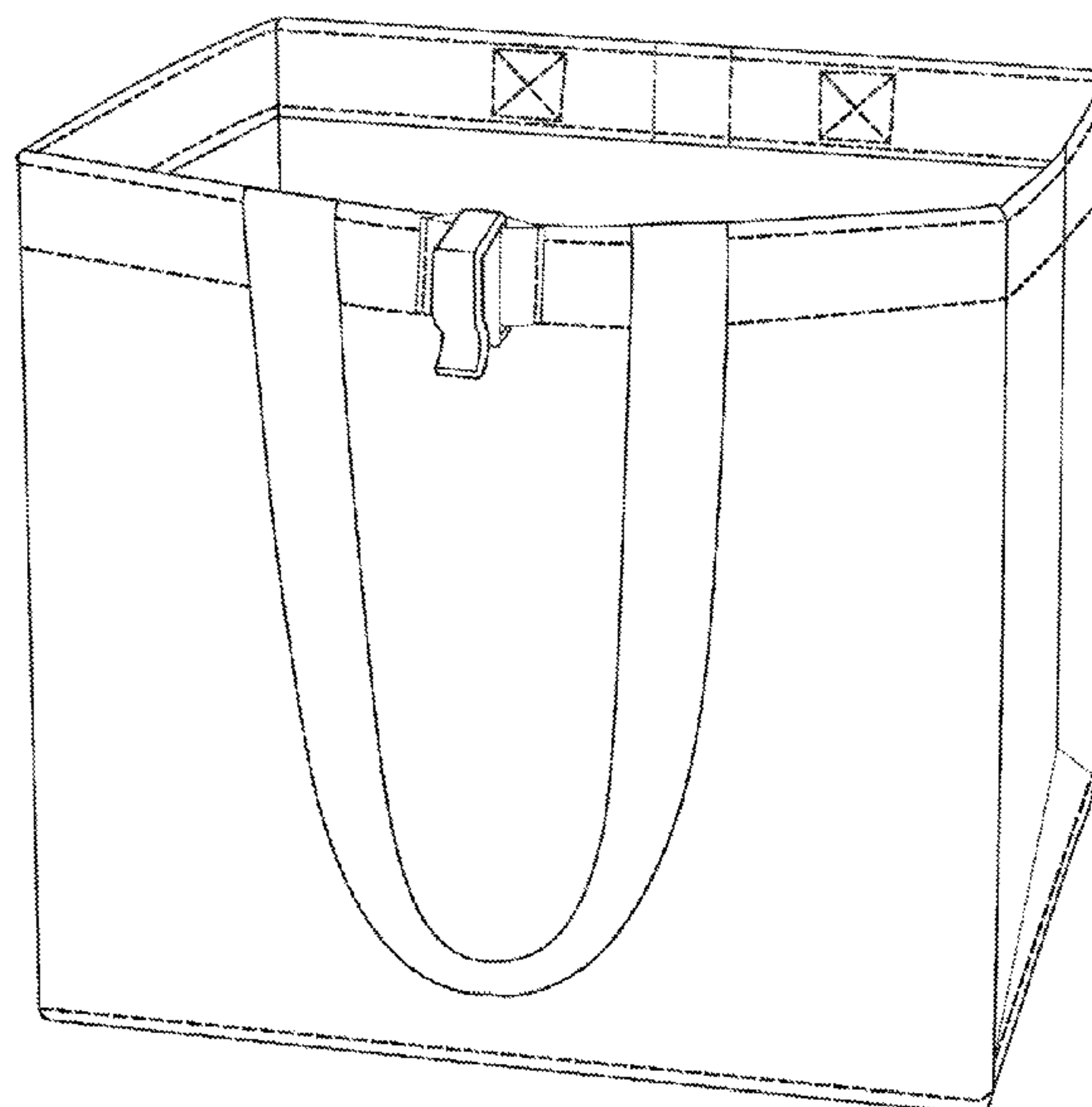
FIG. 2 is a front perspective view of the shopping bag shown in FIG. 1; the opposite side of the view shown in FIG. 2 is a mirror image of the view shown in FIG. 2;

FIG. 3 is a side perspective view of the shopping bag shown in FIG. 1; the opposite side of the view shown in FIG. 3 is a mirror image of the view shown in FIG. 3;

FIG. 4 is a top view of the shopping bag shown in FIG. 1; and, FIG. 5 is a bottom view of the shopping bag shown in FIG. 1.

The broken lines shown in the drawings represent stitching and are part of the claimed design.

1 Claim, 5 Drawing Sheets



US D620,249 S

Page 2

FOREIGN PATENT DOCUMENTS

EP	0119682 A2	9/1984
EP	0308039 A2	3/1989
EP	0976343	10/2002
EP	1792548	6/2007
JP	2005199353 A	8/2006

WO 2008102108 A2 8/2008

OTHER PUBLICATIONS

Co-pending U.S. Appl. No. 29/345,000, Peter Yu.
Co-pending U.S. Appl. No. 29/350,397, Peter Yu.

* cited by examiner

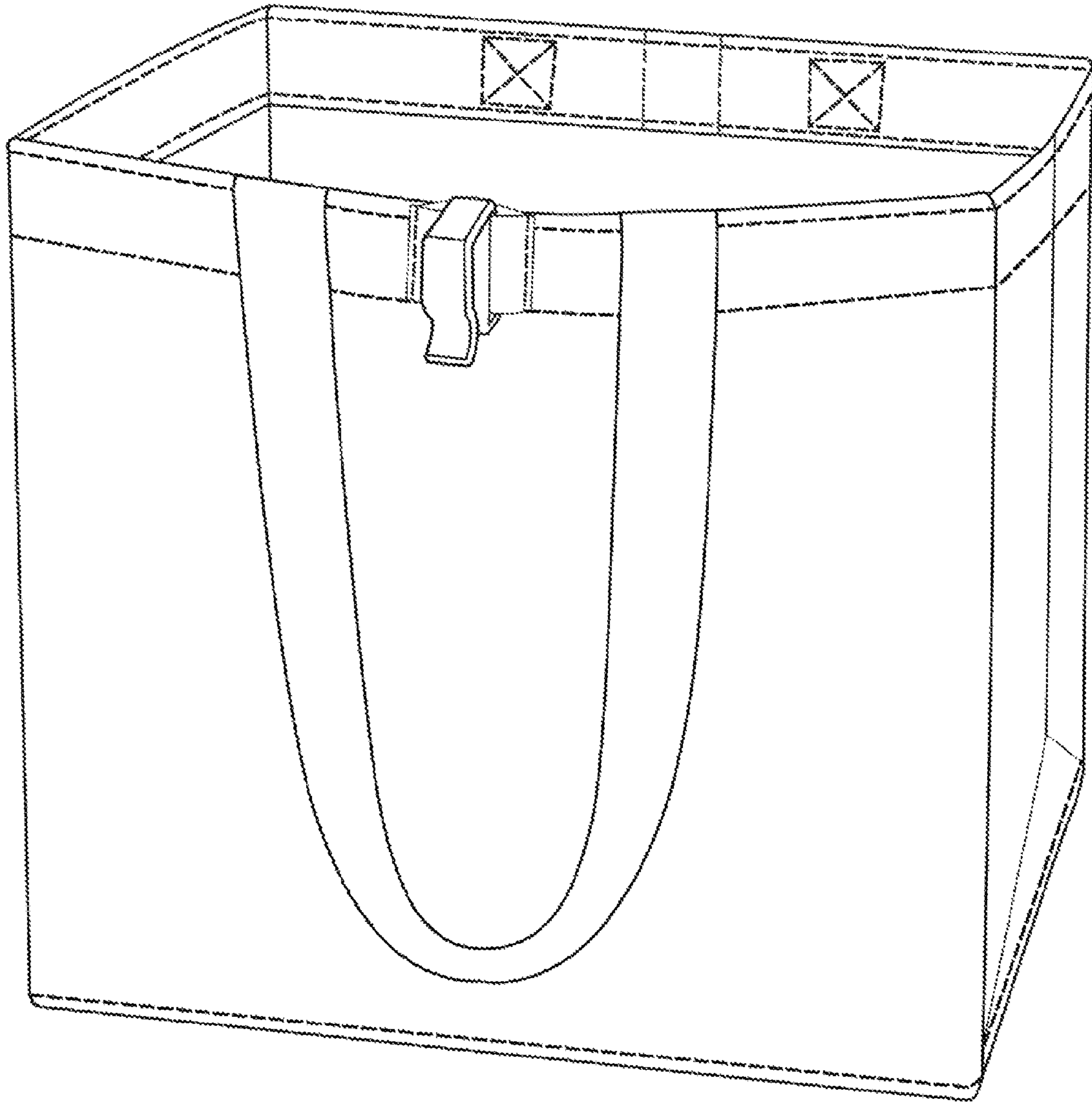


FIG. 1

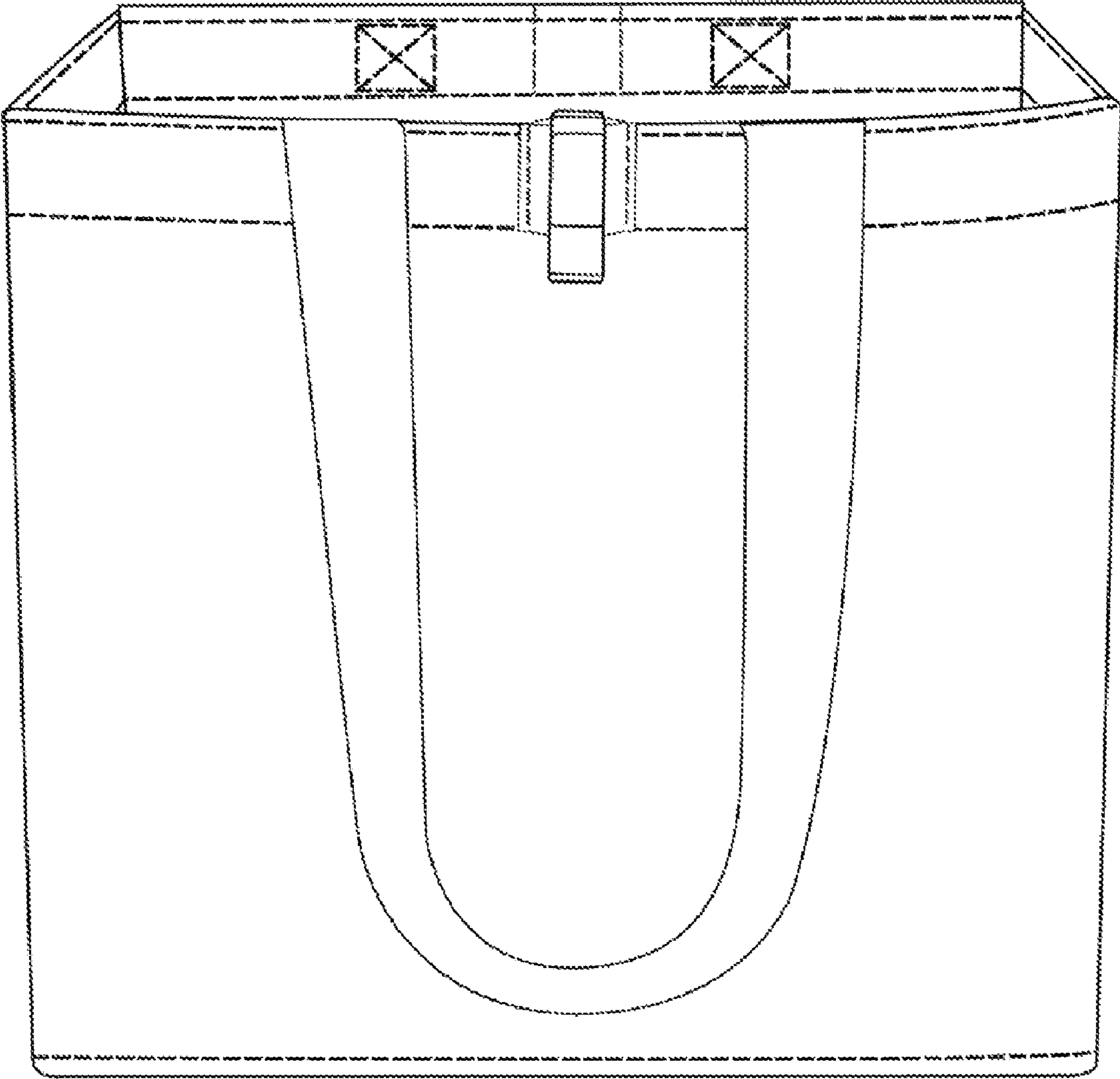


FIG. 2

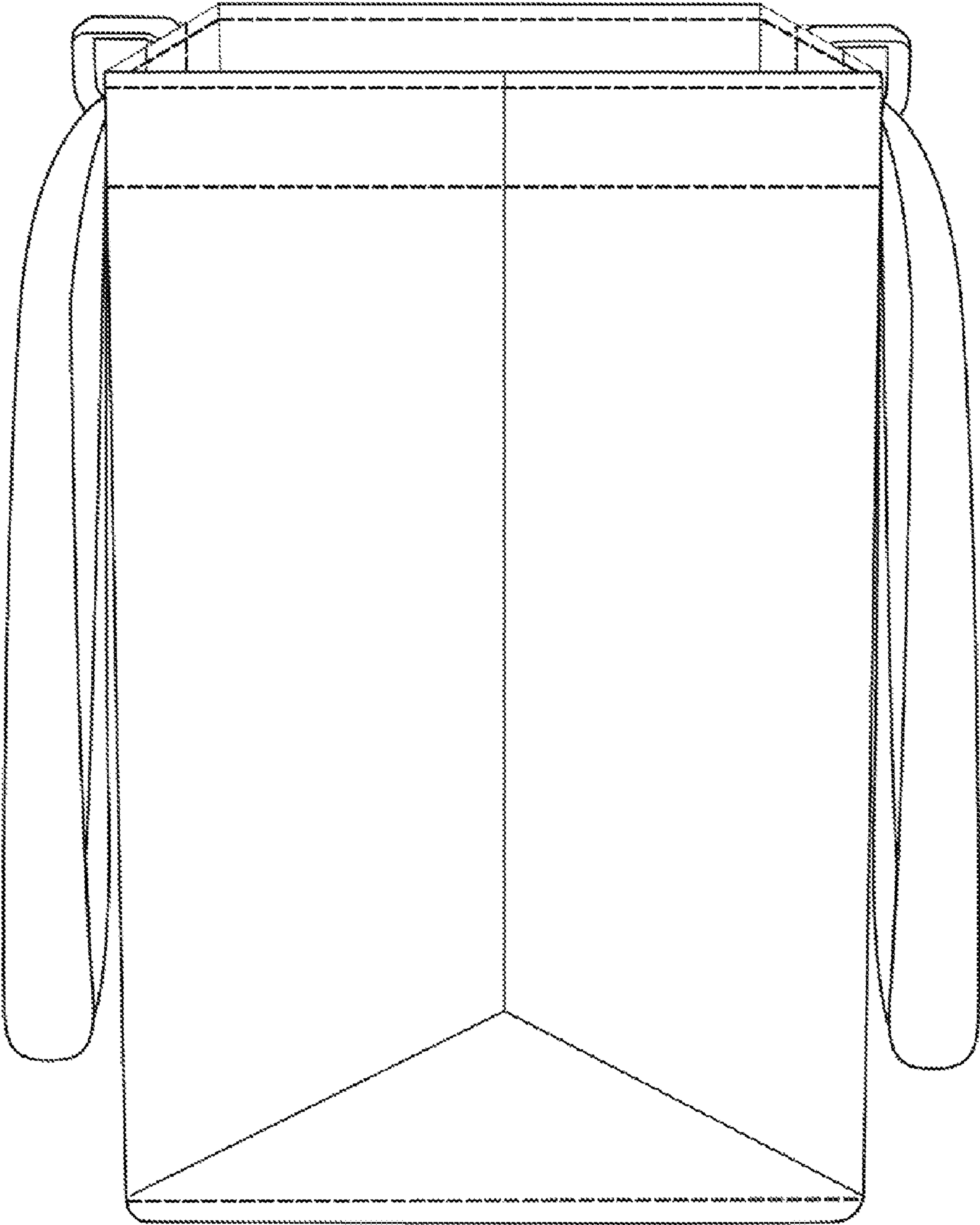


FIG. 3

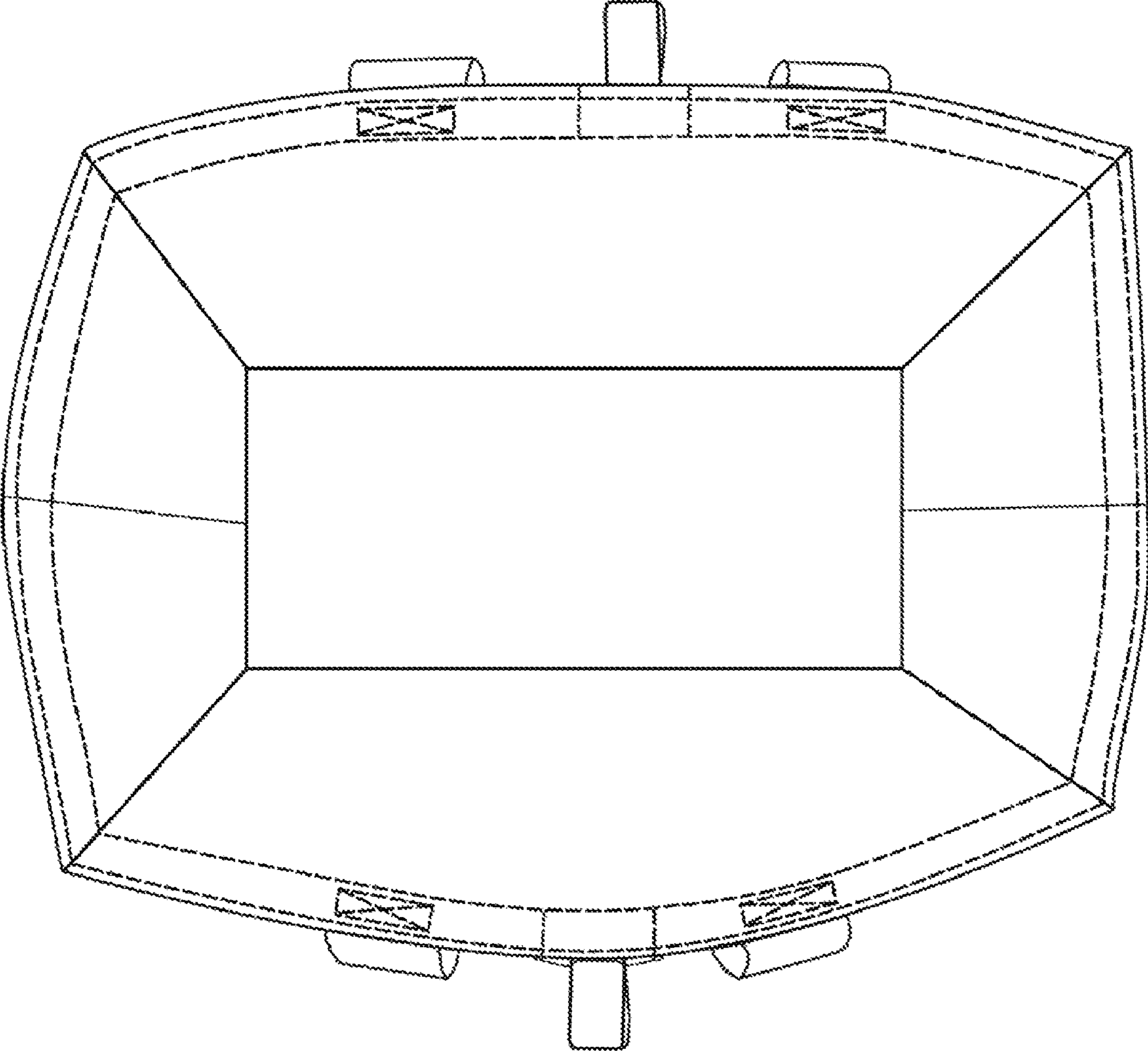


FIG. 4

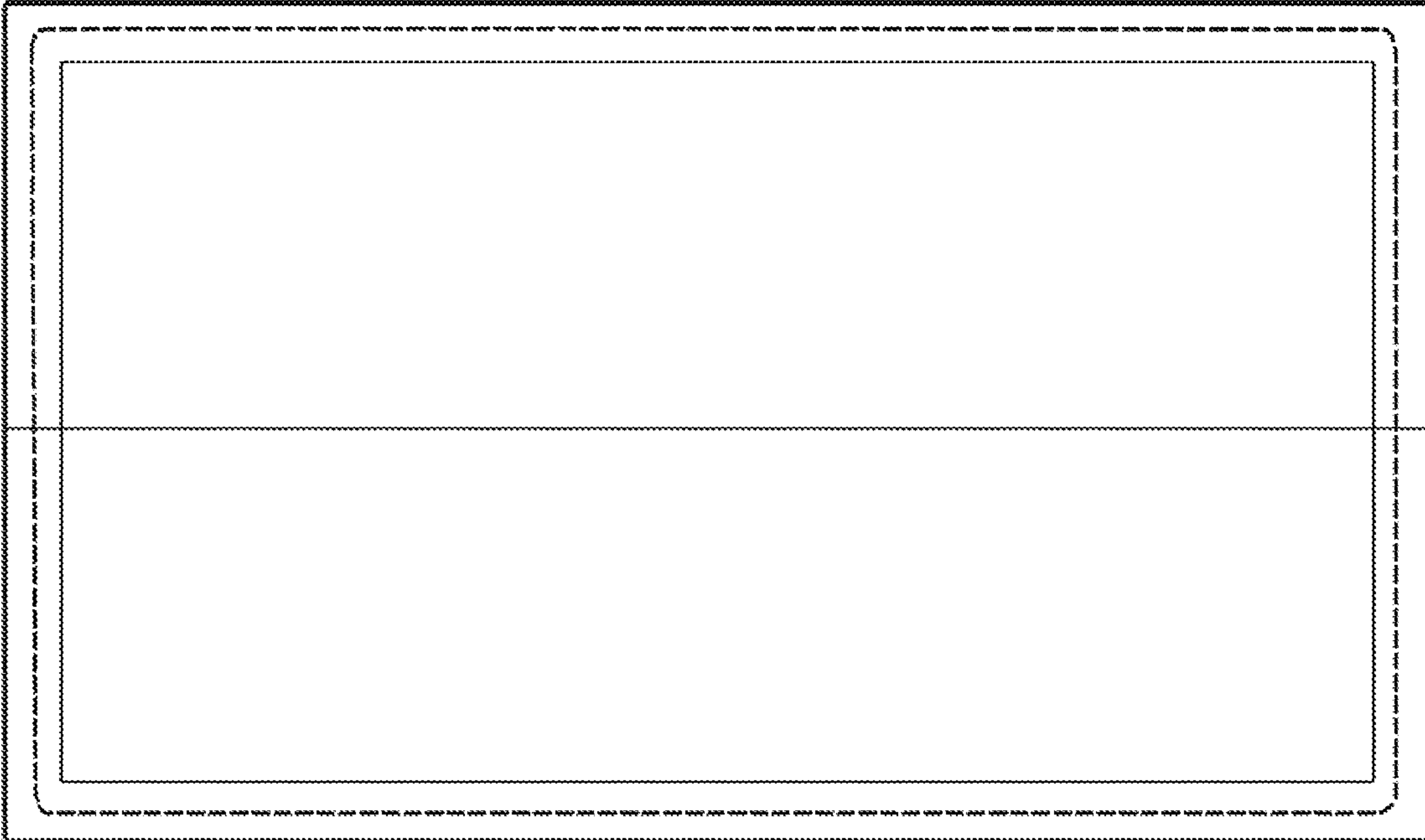


FIG. 5