



US00D620246S

(12) **United States Design Patent**
Yang et al.

(10) **Patent No.:** **US D620,246 S**
(45) **Date of Patent:** **** Jul. 27, 2010**

(54) **ADJUSTING FASTENER FOR A CHEST STRAP OF A BACKPACK**

(75) Inventors: **Shih-Sheng Yang**, Taipei Hsien (TW);
Aly Khalifa, Raleigh, NC (US)

(73) Assignee: **Universal Trim Supply Co., Ltd.**,
Taipei Hsien, Wu Ku Industrial Zone
(TW)

(**) Term: **14 Years**

(21) Appl. No.: **29/272,419**

(22) Filed: **Feb. 8, 2007**

(30) **Foreign Application Priority Data**

Aug. 28, 2006 (CN) 2006 3 0136705

(51) **LOC (9) Cl.** **03-01**

(52) **U.S. Cl.** **D3/216**

(58) **Field of Classification Search** D2/830;
D3/214, 215, 216, 217, 270; 224/153, 577,
224/578, 407, 162, 264, 576, 580, 640; 128/202.22;
D8/44, 51, 356; D30/134; 24/16 PB, 130;
140/96; 242/405.1; 254/253; 410/96
See application file for complete search history.

(56) **References Cited**

U.S. PATENT DOCUMENTS

656,431 A * 8/1900 Stewart 24/130
3,357,613 A * 12/1967 Chase 224/162
D226,256 S * 2/1973 Guhl D8/44
3,742,558 A * 7/1973 Lewis, Jr. 254/253
D229,161 S * 11/1973 Lewis, Jr. D8/44
D230,465 S * 2/1974 Lange D8/44
3,993,109 A * 11/1976 Fortsch 140/123.6
D257,405 S * 10/1980 Land D30/134
D265,170 S * 6/1982 Zukaitis D8/44

4,497,457 A * 2/1985 Harvey 242/405.1
D334,697 S * 4/1993 Waldherr et al. D8/51
5,292,044 A * 3/1994 Reimers 224/264
5,366,327 A * 11/1994 Nelson 410/96
5,639,005 A * 6/1997 Chouinard 224/580
D426,121 S * 6/2000 Kientz et al. D8/44
D466,792 S * 12/2002 Knopp D8/356
6,543,094 B2 * 4/2003 D'Addario 24/16 PB
6,619,519 B1 * 9/2003 Nix et al. 224/153
6,712,250 B2 * 3/2004 Vigny 224/640
D488,039 S * 4/2004 Everett D8/44
D517,801 S * 3/2006 Woo D3/217
D545,057 S * 6/2007 Cyr D3/217
7,406,751 B2 * 8/2008 Greer et al. 24/130
7,428,769 B2 * 9/2008 Fontaine et al. 24/130
2002/0148871 A1 * 10/2002 Nakano et al. 224/576

* cited by examiner

Primary Examiner—Celia A. Murphy

(74) *Attorney, Agent, or Firm*—Muncy, Geissler, Olds &
Lowe, PLLC

(57) **CLAIM**

The ornamental design for an adjusting fastener for a chest strap of a backpack, as shown and described.

DESCRIPTION

FIG. 1 is a perspective view of an adjusting fastener for a chest strap of a backpack showing our new design;

FIG. 2 is a front view thereof;

FIG. 3 is a rear view thereof;

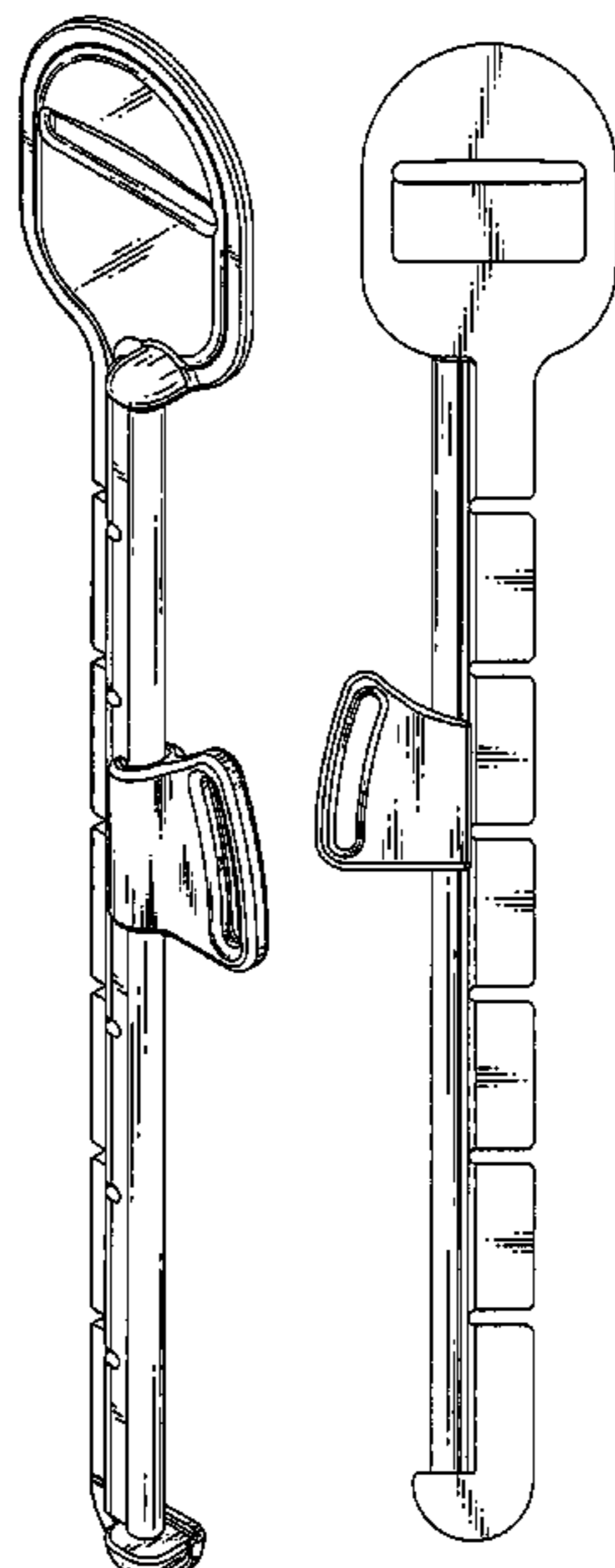
FIG. 4 is a left side view thereof;

FIG. 5 is a right side view thereof;

FIG. 6 is a top view thereof; and,

FIG. 7 is a bottom view thereof.

1 Claim, 4 Drawing Sheets



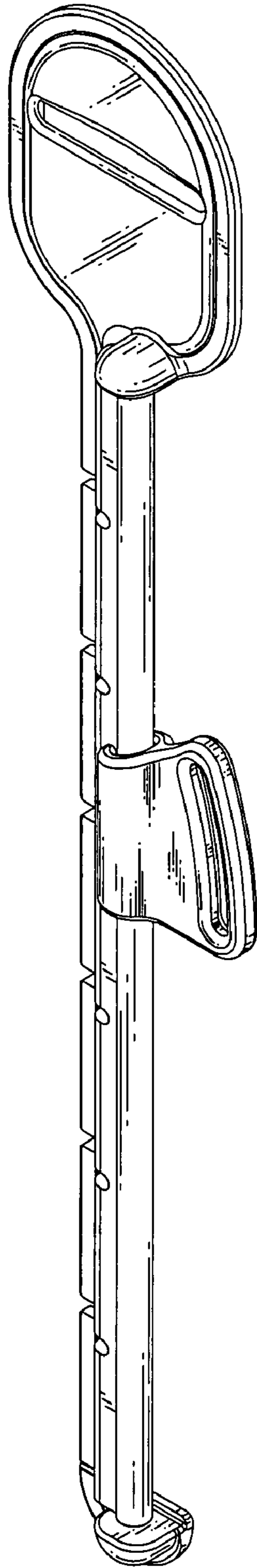


FIG. 1

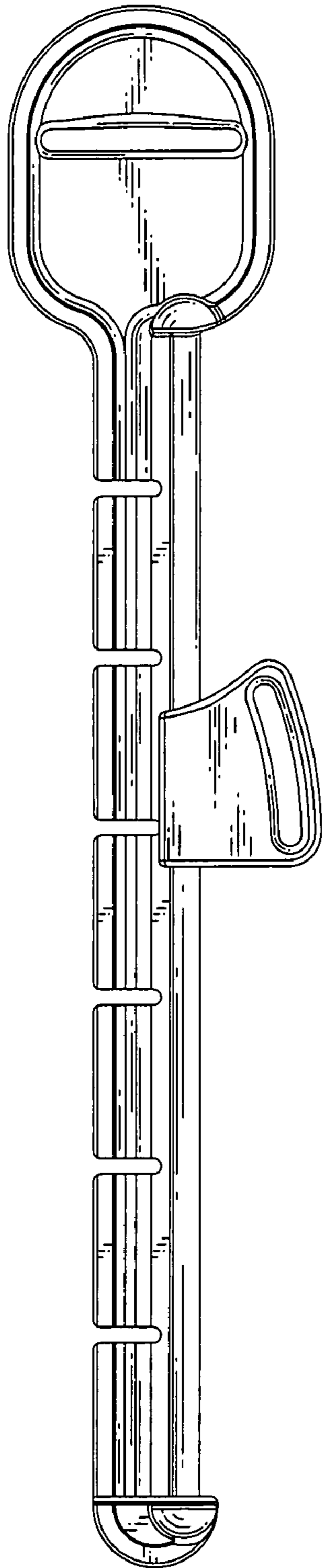


FIG. 2

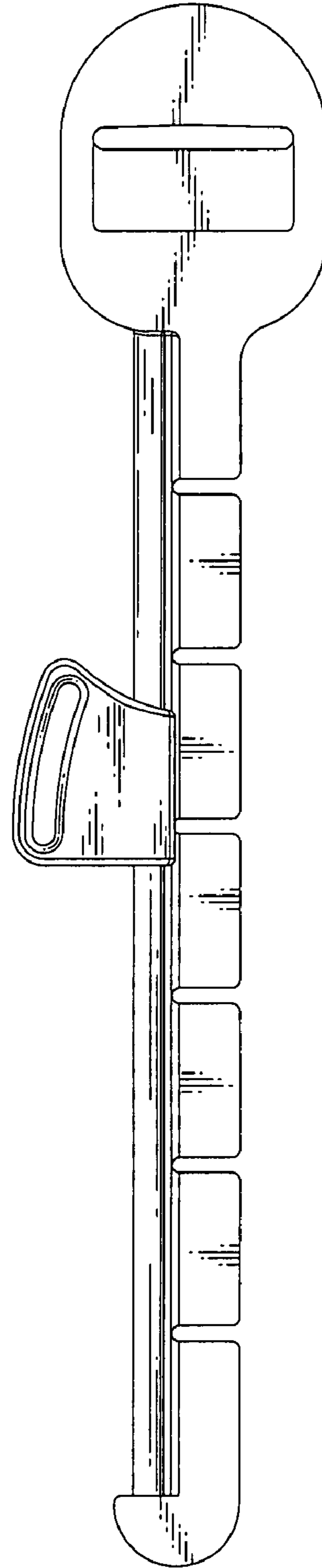


FIG. 3

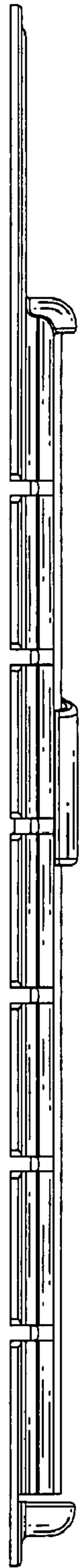


FIG. 4

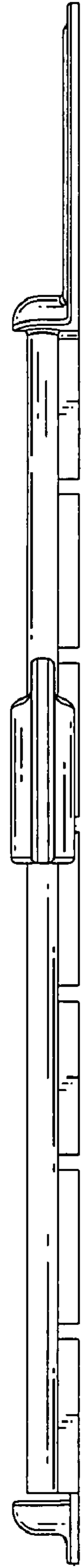


FIG. 5



FIG. 6

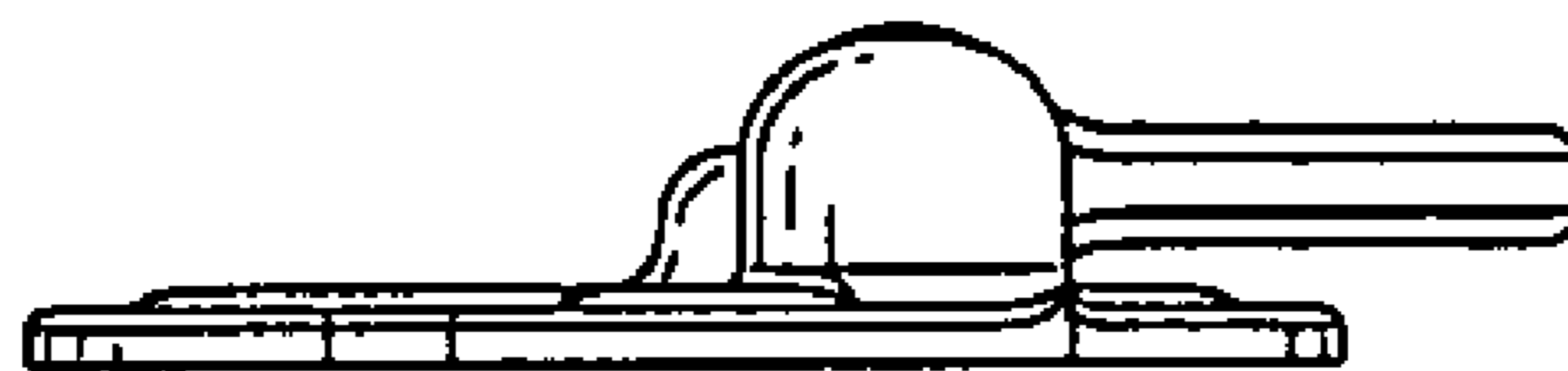


FIG. 7