

US00D620237S

(12) **United States Design Patent**
Carbajal

(10) **Patent No.:** **US D620,237 S**

(45) **Date of Patent:** **** Jul. 27, 2010**

(54) **SHOE SLIPPER**

(76) **Inventor:** **Paul Carbajal**, 6502 Oklahoma Dr.,
Vancouver, WA (US) 98661

(**) **Term:** **14 Years**

(21) **Appl. No.:** **29/350,934**

(22) **Filed:** **Nov. 25, 2009**

Related U.S. Application Data

(62) Division of application No. 29/335,681, filed on Apr. 20, 2009, now Pat. No. Des. 607,631.

(51) **LOC (9) Cl.** **02-04**

(52) **U.S. Cl.** **D2/909**

(58) **Field of Classification Search** D2/896,
D2/909-911, 914, 946, 969; D24/192; 36/73,
36/112-114, 83, 87, 45, 7.1 R, 7.2-7.6, 135
See application file for complete search history.

(56) **References Cited**

U.S. PATENT DOCUMENTS

838,751	A *	12/1906	Roberts	36/7.3
1,811,781	A *	6/1931	Degge	36/7.5
2,189,489	A *	2/1940	Fritz	36/7.6
3,176,416	A *	4/1965	Seegert	36/7.1 R
3,313,047	A *	4/1967	Svien	36/7.3
3,609,888	A *	10/1971	Rickman	36/7.5
4,183,157	A *	1/1980	Counselman	36/135
4,872,273	A *	10/1989	Smeed	36/135

D326,949	S *	6/1992	Beckley	D2/909
5,315,767	A *	5/1994	Bradbury	36/7.1 R
D377,710	S *	2/1997	Poust	D2/914
D385,092	S *	10/1997	Holden	D2/909
D394,740	S *	6/1998	Poust	D2/909
D446,912	S *	8/2001	Cockrell	D2/909
D449,153	S *	10/2001	Rork et al.	D2/913
6,568,101	B1 *	5/2003	Jansen et al.	36/7.3
6,988,328	B2 *	1/2006	Rosen et al.	36/7.1 R

* cited by examiner

Primary Examiner—Robert M Spear

Assistant Examiner—Rashida C McCoy

(74) *Attorney, Agent, or Firm*—Rylander & Associates PC;
Kurt M. Rylander

(57) **CLAIM**

The ornamental design for a shoe slipper, as shown and described.

DESCRIPTION

FIG. 1 is a perspective view a shoe slipper, showing my new design;

FIG. 2 is a front view thereof;

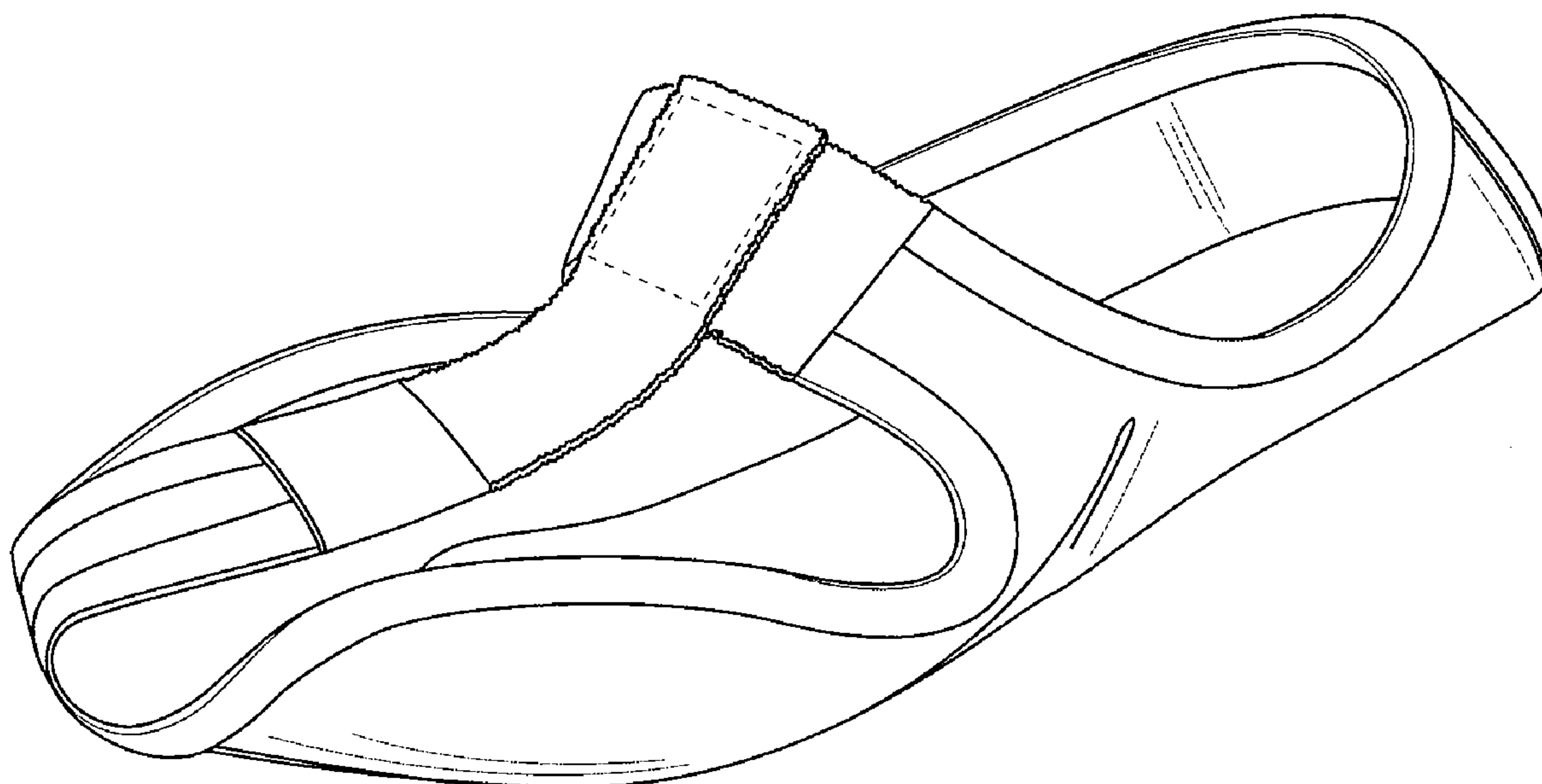
FIG. 3 is a rear view thereof;

FIG. 4 is a side view thereof;

FIG. 5 is a top plan view thereof; and,

FIG. 6 is a bottom plan view thereof.

1 Claim, 2 Drawing Sheets



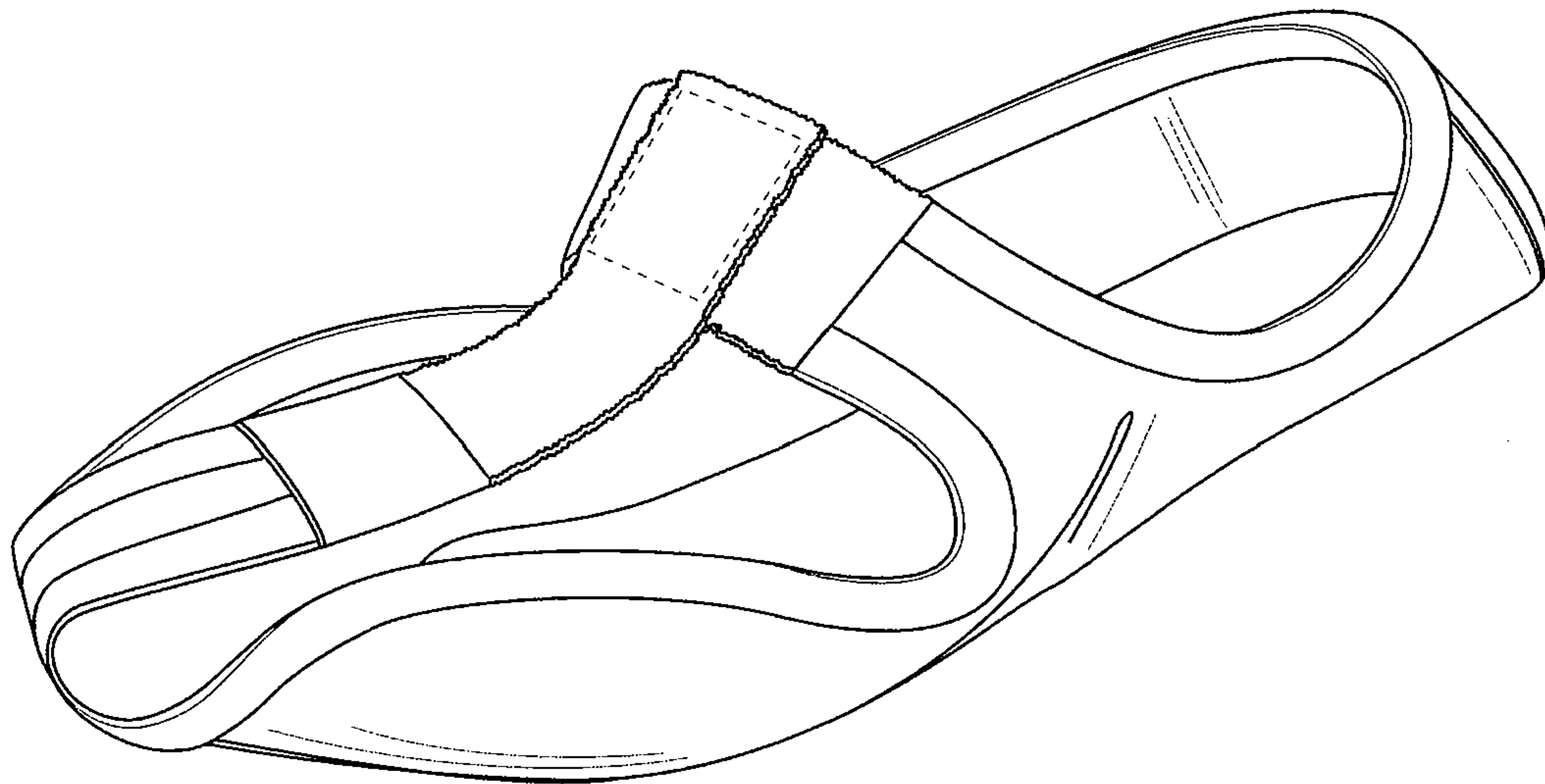


FIG. 1

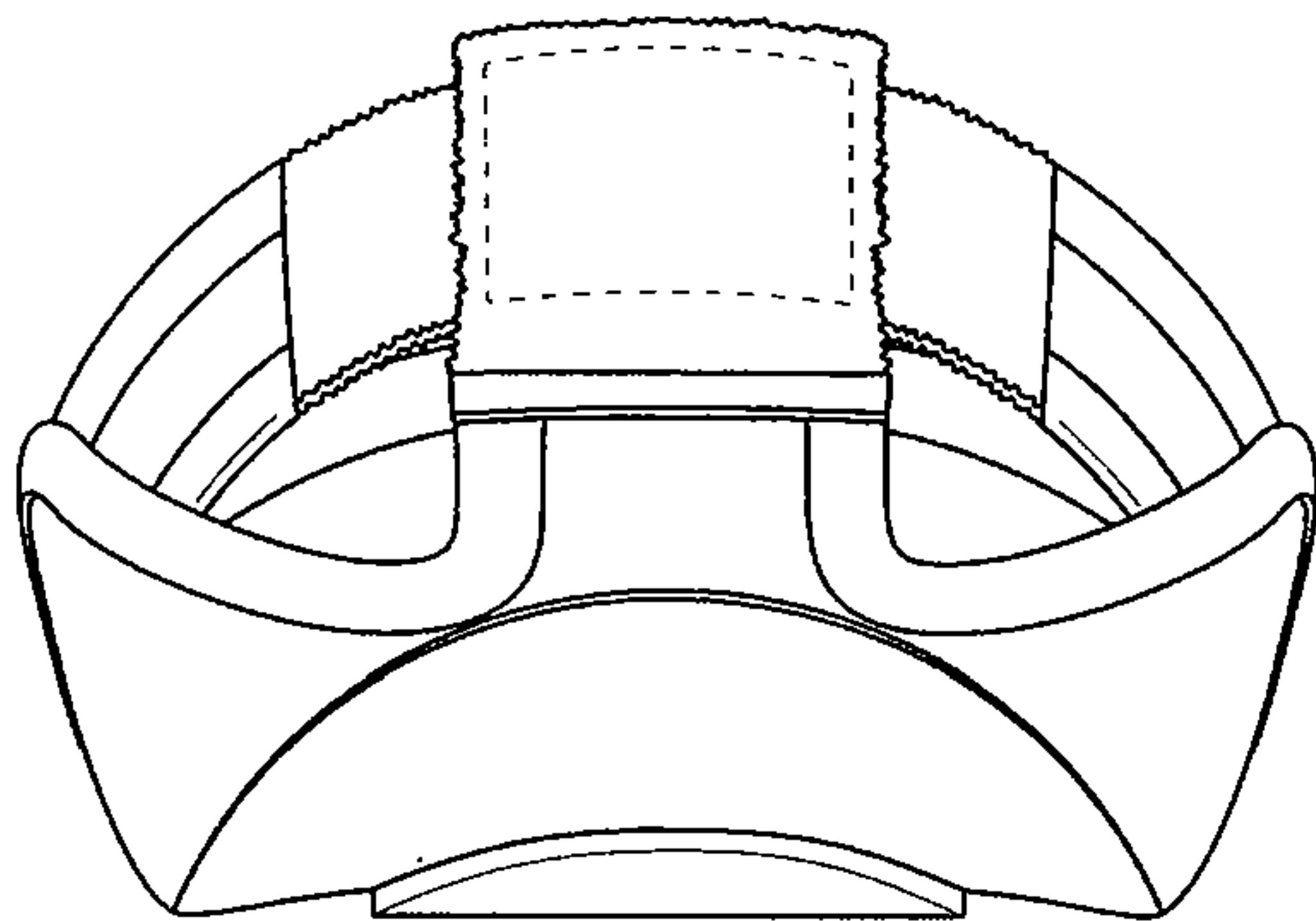


FIG. 2

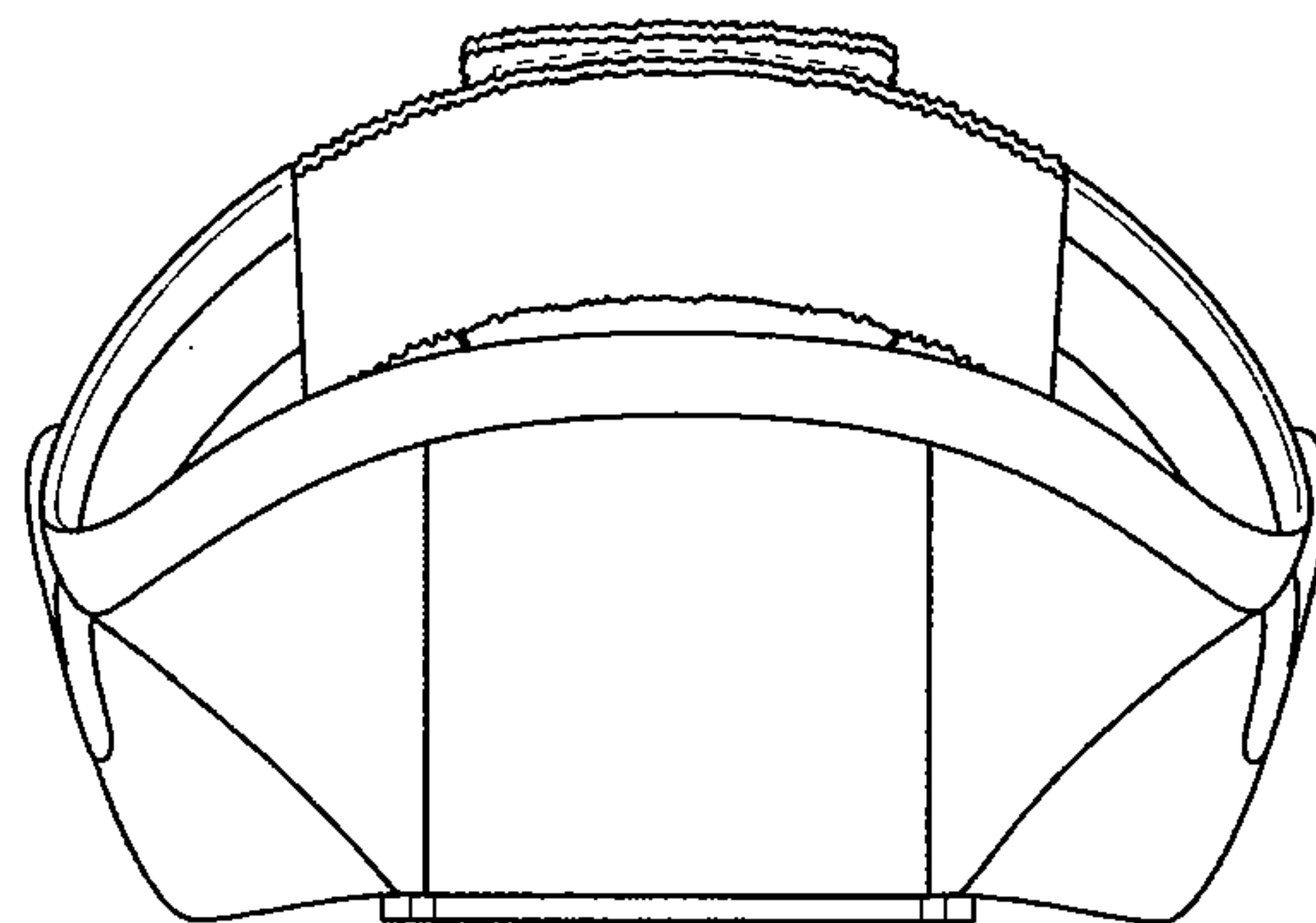


FIG. 3

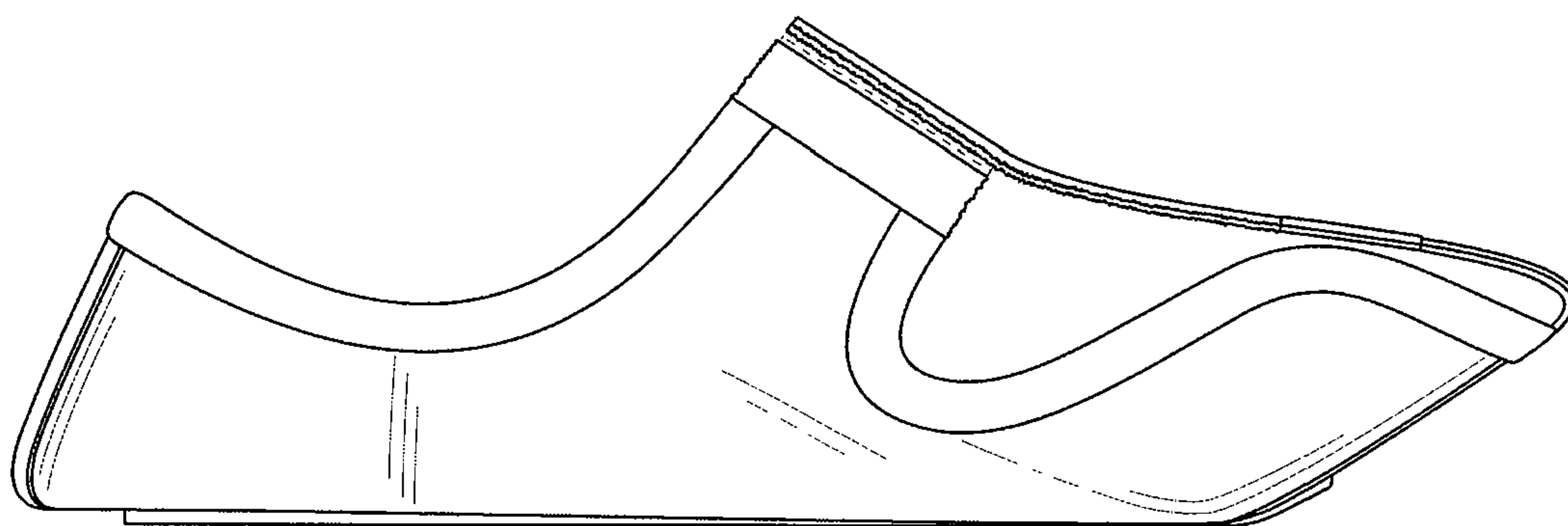


FIG. 4

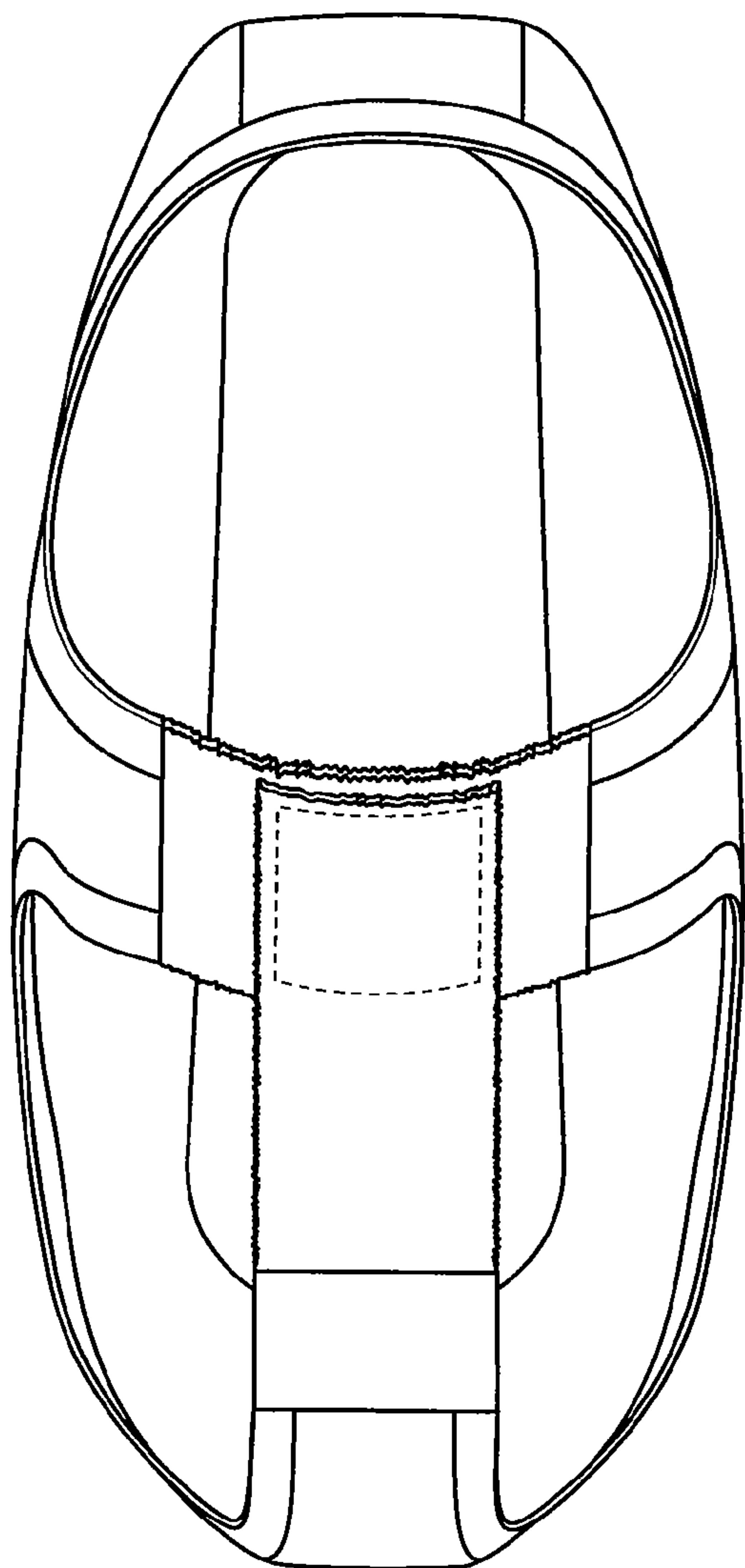


FIG. 5

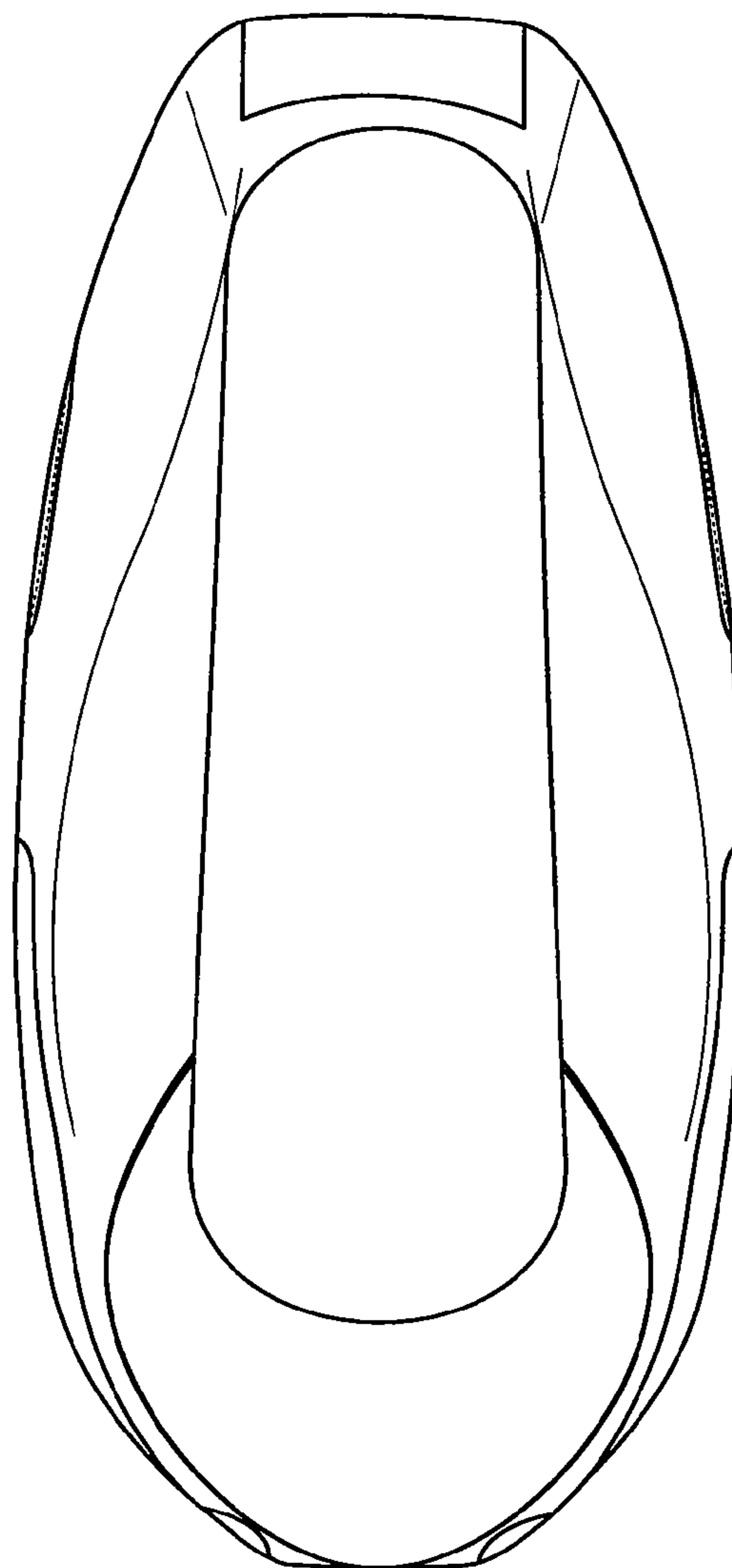


FIG. 6