



US00D620235S

(12) **United States Design Patent**
Kronenberger

(10) **Patent No.:** **US D620,235 S**
(45) **Date of Patent:** **** Jul. 27, 2010**

(54) **HEADWEAR PIECE WITH SQUARED ORNAMENTATION**

(76) Inventor: **Ronald Kronenberger**, 320 Portwine Rd., Riverwoods, IL (US) 60015

(**) Term: **14 Years**

(21) Appl. No.: **29/261,298**

(22) Filed: **Jun. 12, 2006**

(51) **LOC (9) Cl.** **02-03**

(52) **U.S. Cl.** **D2/895**

(58) **Field of Classification Search** D2/865,
D2/866, 867, 871, 872, 873, 875, 876, 879,
D2/882, 884, 889, 887, 888, 890, 891, 892,
D2/893, 895; 2/171, 171.1, 175.4-174.5,
2/181.2, 181.4, 181.6, 181.8, 195.1-195.6,
2/200.1, 200.3, 209.11-209.13, 209.5-209.7,
2/10, 171.4, 171.5, 909, 246, 247, 249-253;
362/106

See application file for complete search history.

(56) **References Cited**

U.S. PATENT DOCUMENTS

4,611,355	A *	9/1986	Galanto et al.	2/246
4,667,274	A *	5/1987	Daniel	362/106
5,070,545	A *	12/1991	Tapia	40/329
5,136,726	A *	8/1992	Kellin et al.	2/244
D336,969	S *	7/1993	Mullendore et al.	D2/866
5,253,368	A *	10/1993	Blake	2/209.13
5,276,985	A *	1/1994	Halloran	40/329
5,285,312	A *	2/1994	Mastro	359/516
5,359,733	A *	11/1994	Brannon et al.	2/195.1
5,477,629	A *	12/1995	Gleason, Jr.	40/329
D365,916	S *	1/1996	Hutchinson et al.	D2/866
5,481,759	A *	1/1996	Rinaldi	2/195.1
5,509,144	A *	4/1996	Soergel et al.	2/195.1
5,704,070	A *	1/1998	Stogner	2/209.13
5,729,834	A *	3/1998	Sloot	2/243.1
5,740,557	A *	4/1998	Reid et al.	2/209.13
5,754,983	A *	5/1998	Landers	2/195.1
D403,491	S *	1/1999	Wyatt et al.	D2/866
5,953,757	A *	9/1999	Blanks	2/243.1

D417,063	S *	11/1999	Henning	D2/866
6,061,836	A *	5/2000	Peters	2/175.6
6,163,889	A *	12/2000	Tate	2/209.13
6,175,963	B1 *	1/2001	Loeffelholz	2/209.13
6,185,750	B1 *	2/2001	Dumas	2/209.13
6,240,568	B1 *	6/2001	Lee	2/209.13

(Continued)

Primary Examiner—Elizabeth A Albert

Assistant Examiner—Karen E Eldridge Powers

(74) *Attorney, Agent, or Firm*—Wood, Phillips, Katz, Clark & Mortimer

(57) **CLAIM**

The ornamental design for a headwear piece with squared ornamentation, as shown and described.

DESCRIPTION

FIG. 1 is a perspective view of a first embodiment of a headwear piece with squared ornamentation showing my new design;

FIG. 2 is an enlarged, front, elevation view of a section thereof;

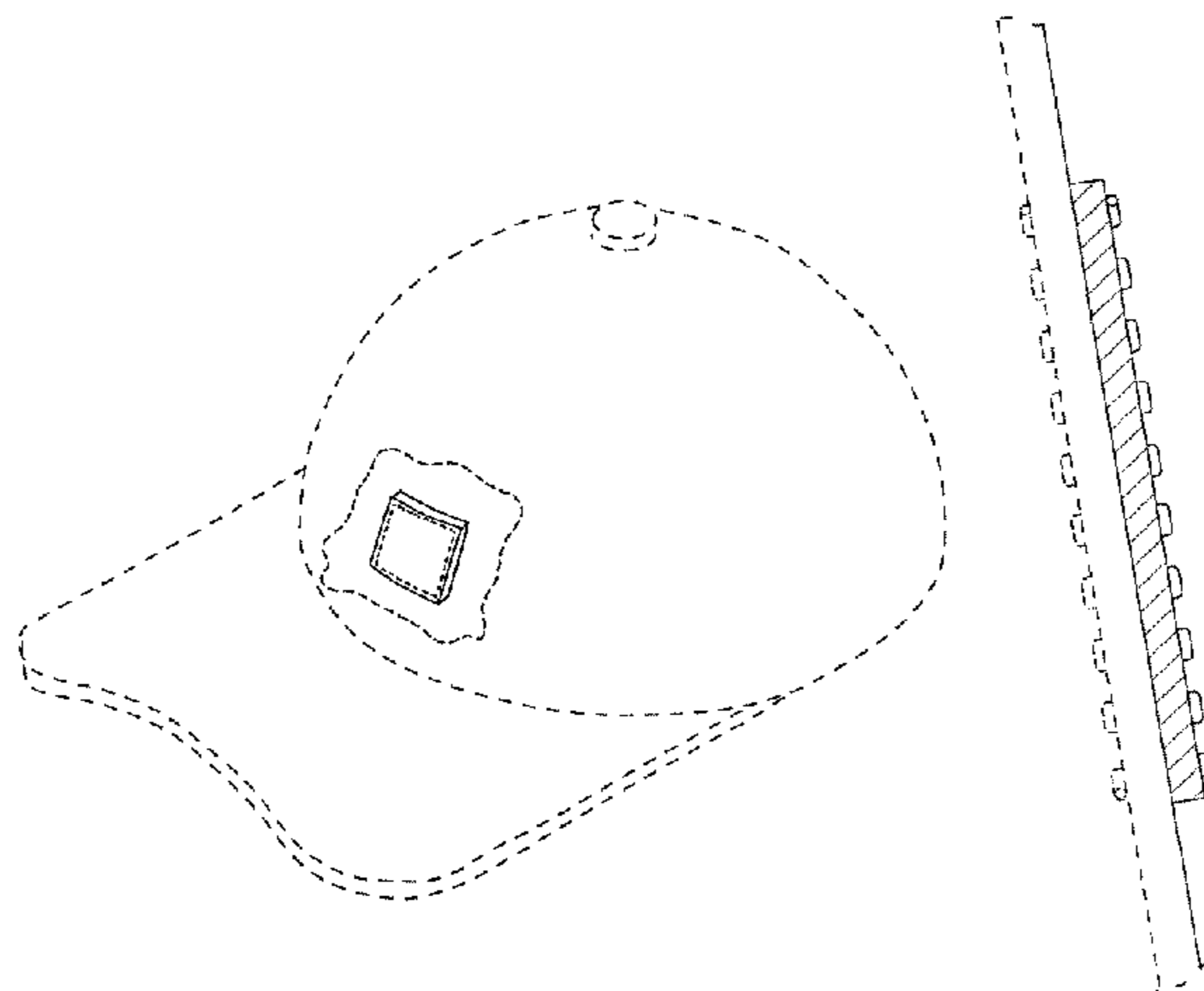
FIG. 3 is an enlarged, cross-sectional view thereof taken along line 3—3 of FIG. 2;

FIG. 4 is a perspective view of a second embodiment of my design; and,

FIG. 5 is an enlarged, front elevation view of a section thereof.

The broken lines depicting the headwear piece (representing environment) are for illustrative purposes only and form no part of the claimed design. In addition, the broken line squares inside the ornament edges represent stitching, and are part of the claimed design. The broken lines surrounding the squared ornamentation define the bounds of the claimed design and form no part thereof.

1 Claim, 2 Drawing Sheets



US D620,235 S

Page 2

U.S. PATENT DOCUMENTS

6,279,170 B1 *	8/2001	Chu	2/246	6,877,194 B2 *	4/2005	Bradley et al.	24/570
6,339,866 B1 *	1/2002	French	24/306	7,137,149 B2 *	11/2006	Kronenberger	2/195.1
6,519,779 B1 *	2/2003	Taguchi	2/209.12	7,140,047 B2 *	11/2006	Kronenberger	2/209.13
D474,000 S *	5/2003	O'Dell et al.	D2/882	7,219,374 B2 *	5/2007	Cho	2/181
6,643,847 B1 *	11/2003	Dornak	2/195.1	2001/0034894 A1 *	11/2001	Godfrey et al.	2/209.13
6,675,512 B1 *	1/2004	Shwartz et al.	40/329	2006/0143791 A1 *	7/2006	Kronenberger	2/195.1
D489,165 S *	5/2004	Waters	D2/866	2006/0206990 A1 *	9/2006	Demus	2/247
6,824,027 B2 *	11/2004	Frey	223/14	2007/0094773 A1 *	5/2007	Kronenberger	2/209.13
				2007/0199128 A1 *	8/2007	Golle	2/69

* cited by examiner

Fig. 1

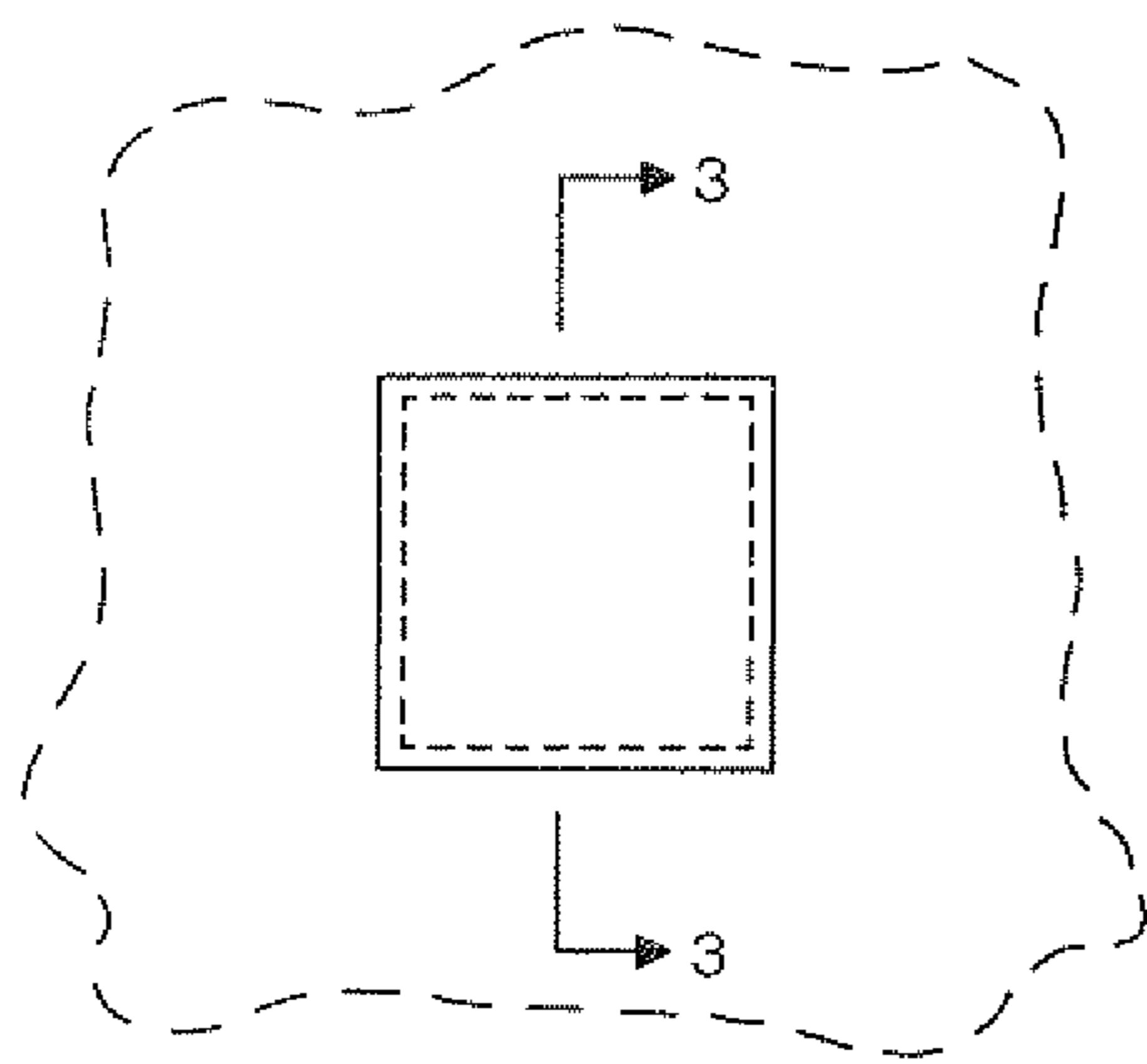
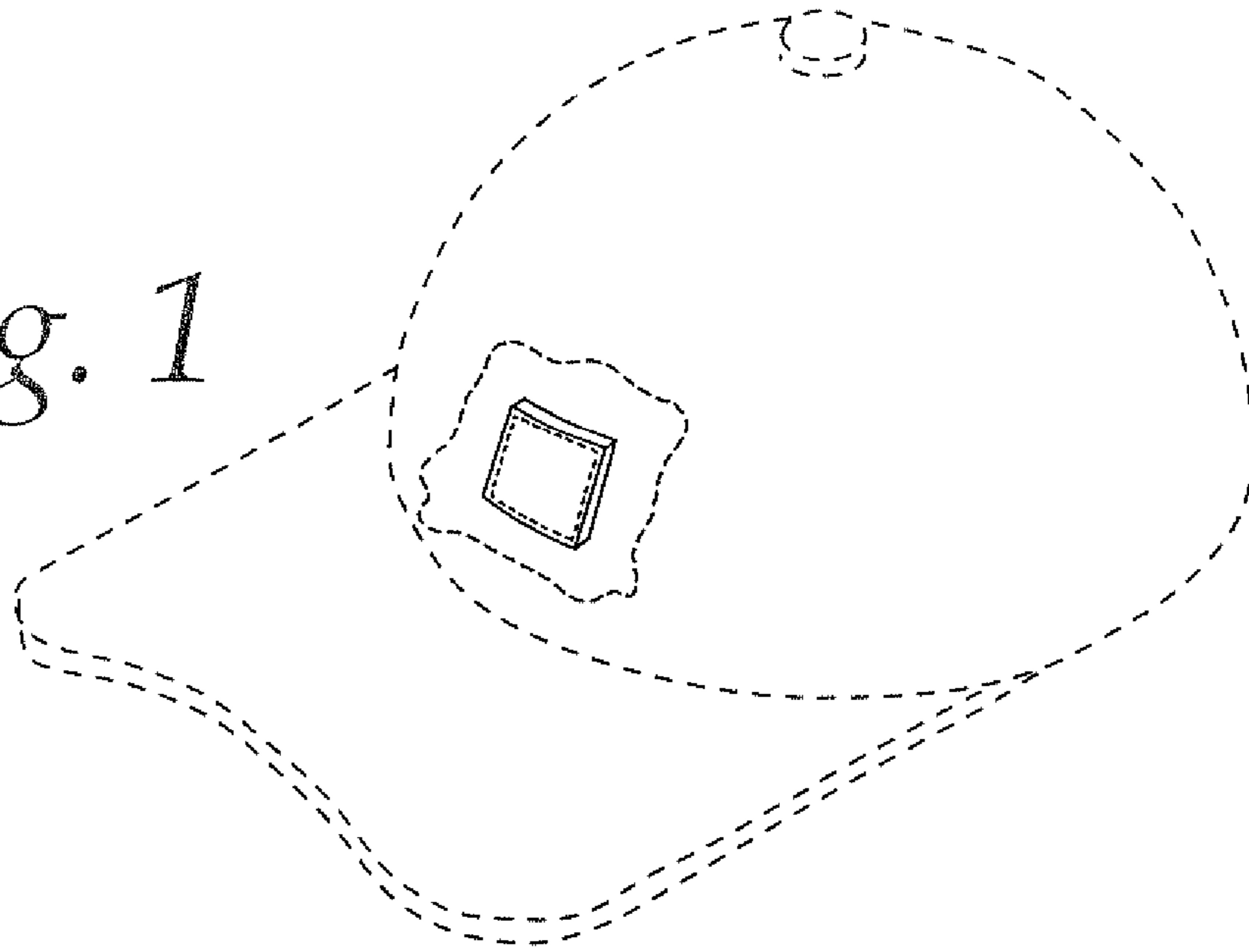


Fig. 2

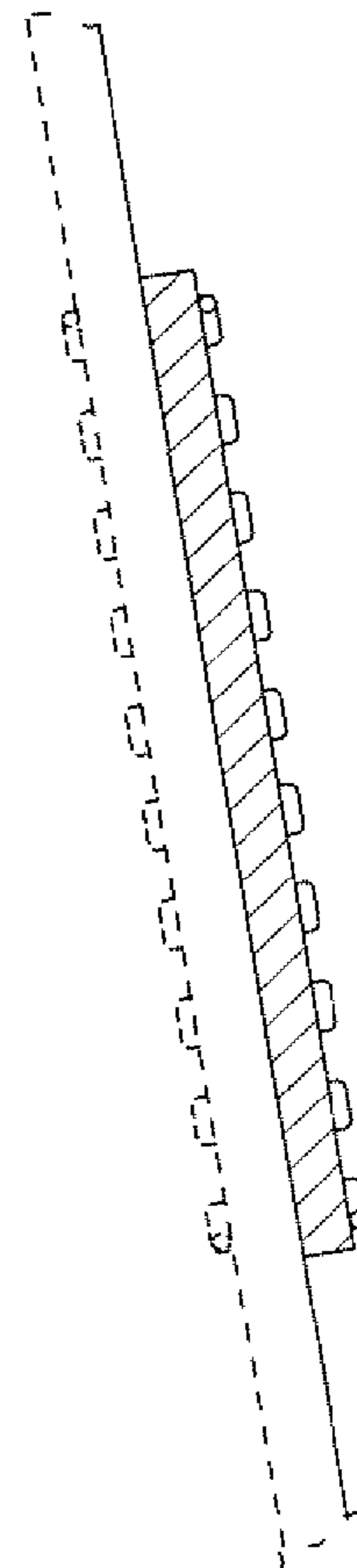


Fig. 3

Fig. 4

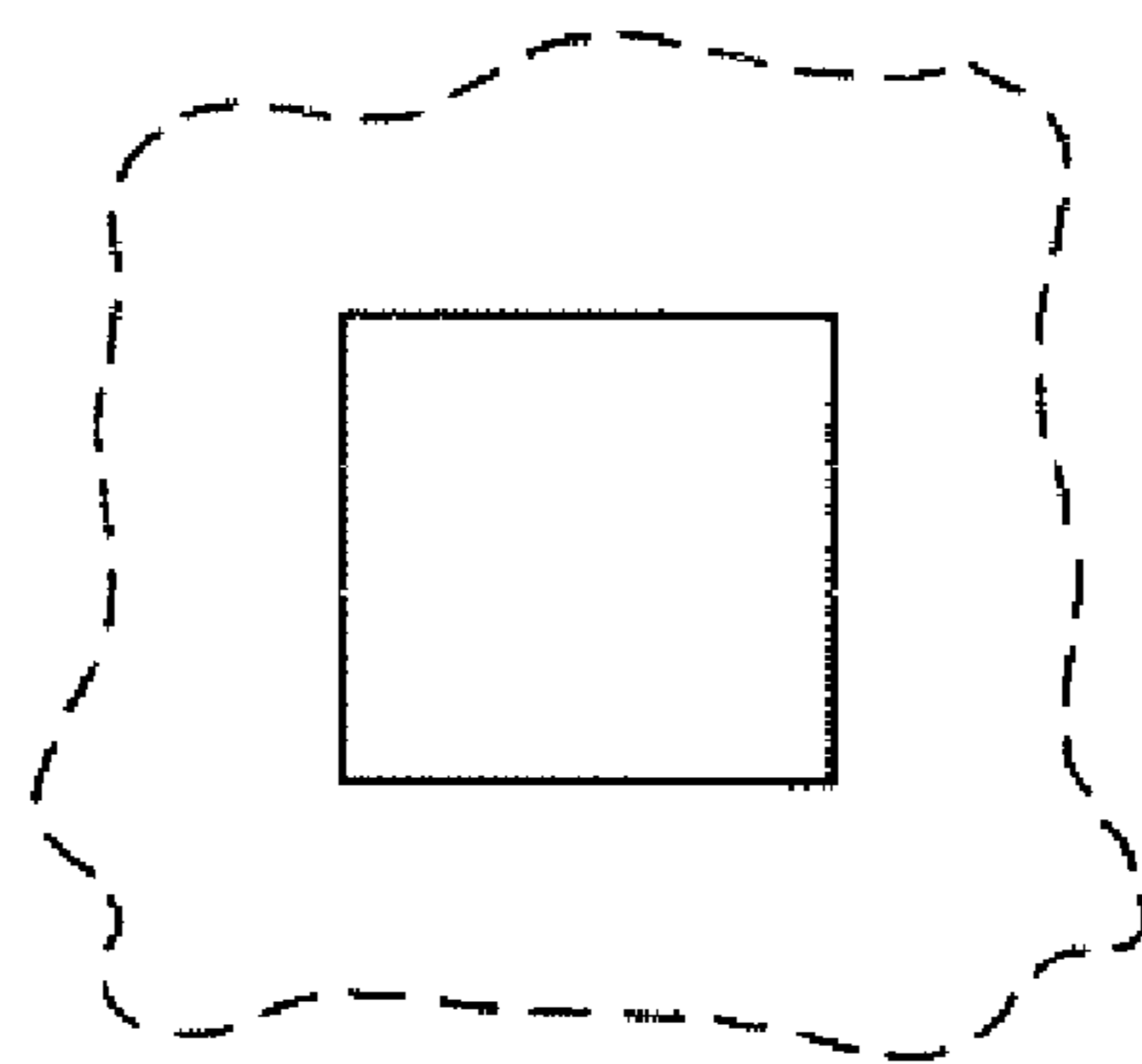
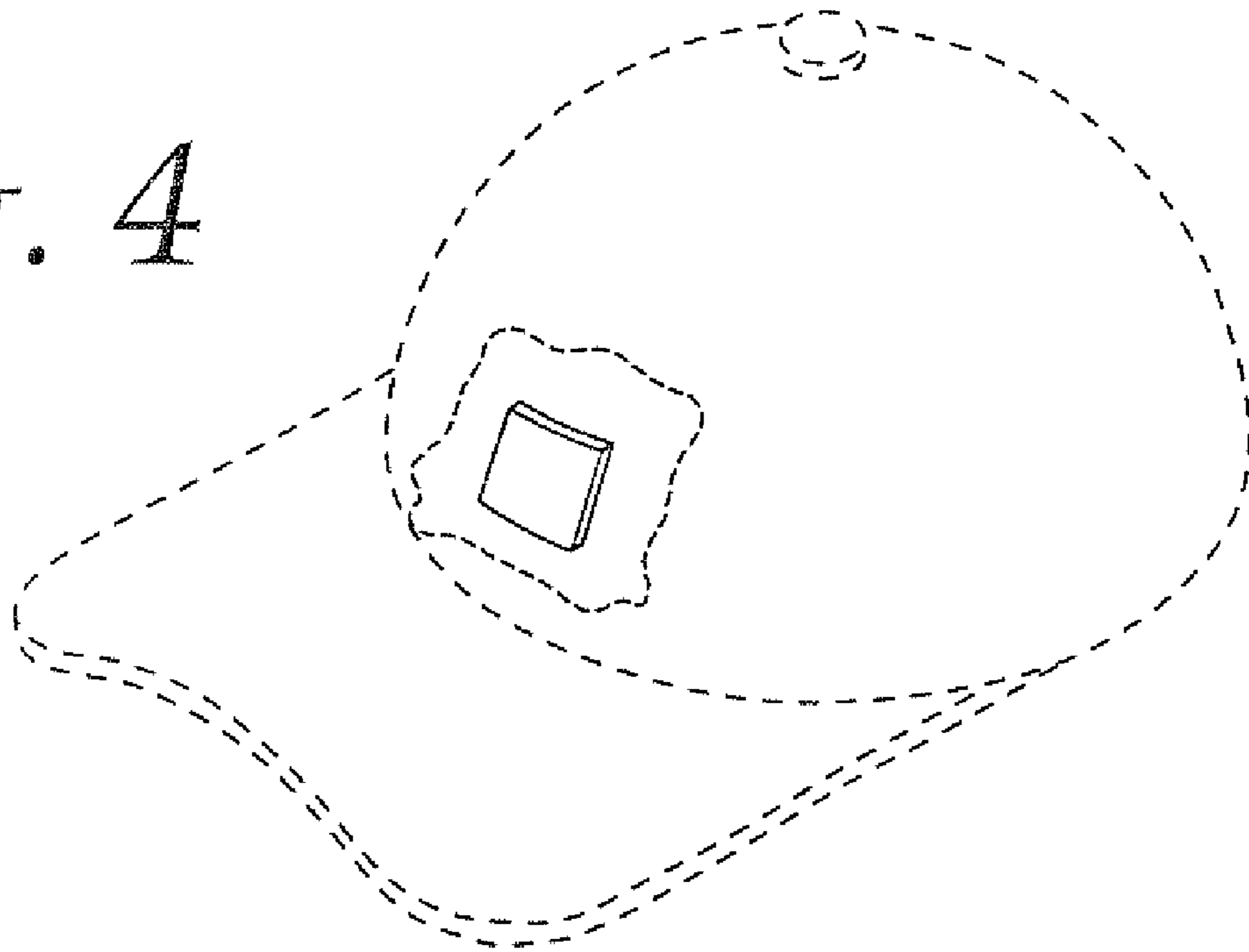


Fig. 5