



US00D620233S

(12) **United States Design Patent**  
**Broudy**

(10) **Patent No.:** **US D620,233 S**

(45) **Date of Patent:** **\*\* Jul. 27, 2010**

(54) **STRAPLESS POCKET JACKET**

(75) **Inventor:** **Sanderson Broudy**, San Leandro, CA  
(US)

(73) **Assignee:** **Mykeyno Holdings**, San Leandro, CA  
(US)

(\*\*) **Term:** **14 Years**

(21) **Appl. No.:** **29/315,789**

(22) **Filed:** **Jul. 22, 2009**

(51) **LOC (9) Cl.** ..... **02-02**

(52) **U.S. Cl.** ..... **D2/839**

(58) **Field of Classification Search** ..... D2/749,  
D2/753-754, 841, 844, 847, 849, 700, 717,  
D2/828, 829, 830, 833, 836; 2/91, 93, 113,  
2/115, 94

See application file for complete search history.

(56) **References Cited**

**U.S. PATENT DOCUMENTS**

- 2,079,220 A \* 5/1937 Mahoney ..... 2/94
- 4,068,314 A \* 1/1978 Yellen et al. .... 2/94
- D250,226 S \* 11/1978 Shaw ..... D2/830
- 4,272,852 A \* 6/1981 Bell ..... 2/94
- 4,669,127 A \* 6/1987 Swanson ..... 2/94
- 4,825,471 A \* 5/1989 Jennings ..... 2/94
- D355,752 S \* 2/1995 Abbott ..... D2/830

- 5,526,969 A \* 6/1996 Greenberger ..... 2/94
- 6,073,268 A \* 6/2000 Ziegler et al. .... 2/94
- D573,777 S \* 7/2008 Rogers ..... D2/841
- D580,128 S \* 11/2008 Broudy ..... D2/839

\* cited by examiner

*Primary Examiner*—Ian Simmons

*Assistant Examiner*—Wan Laymon

(74) *Attorney, Agent, or Firm*—Francis Law Group

(57) **CLAIM**

I claim the ornamental design for a strapless pocket jacket, as shown and described.

**DESCRIPTION**

FIG. 1 is a rear perspective view of a strapless pocket jacket showing my new design;

FIG. 2 is a front elevational view thereof;

FIG. 3 is a rear elevational view thereof;

FIG. 4 is a right side elevational view thereof;

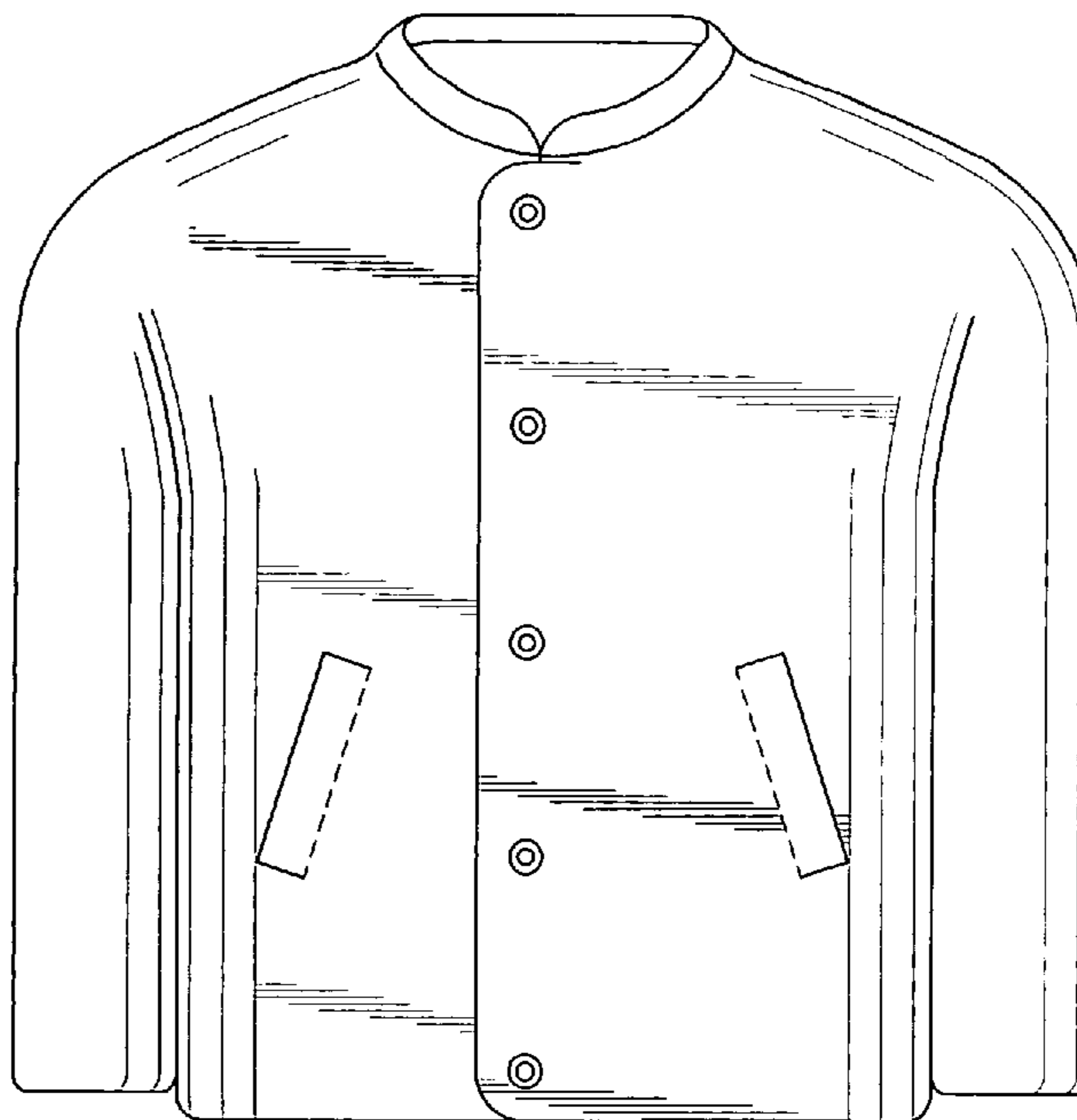
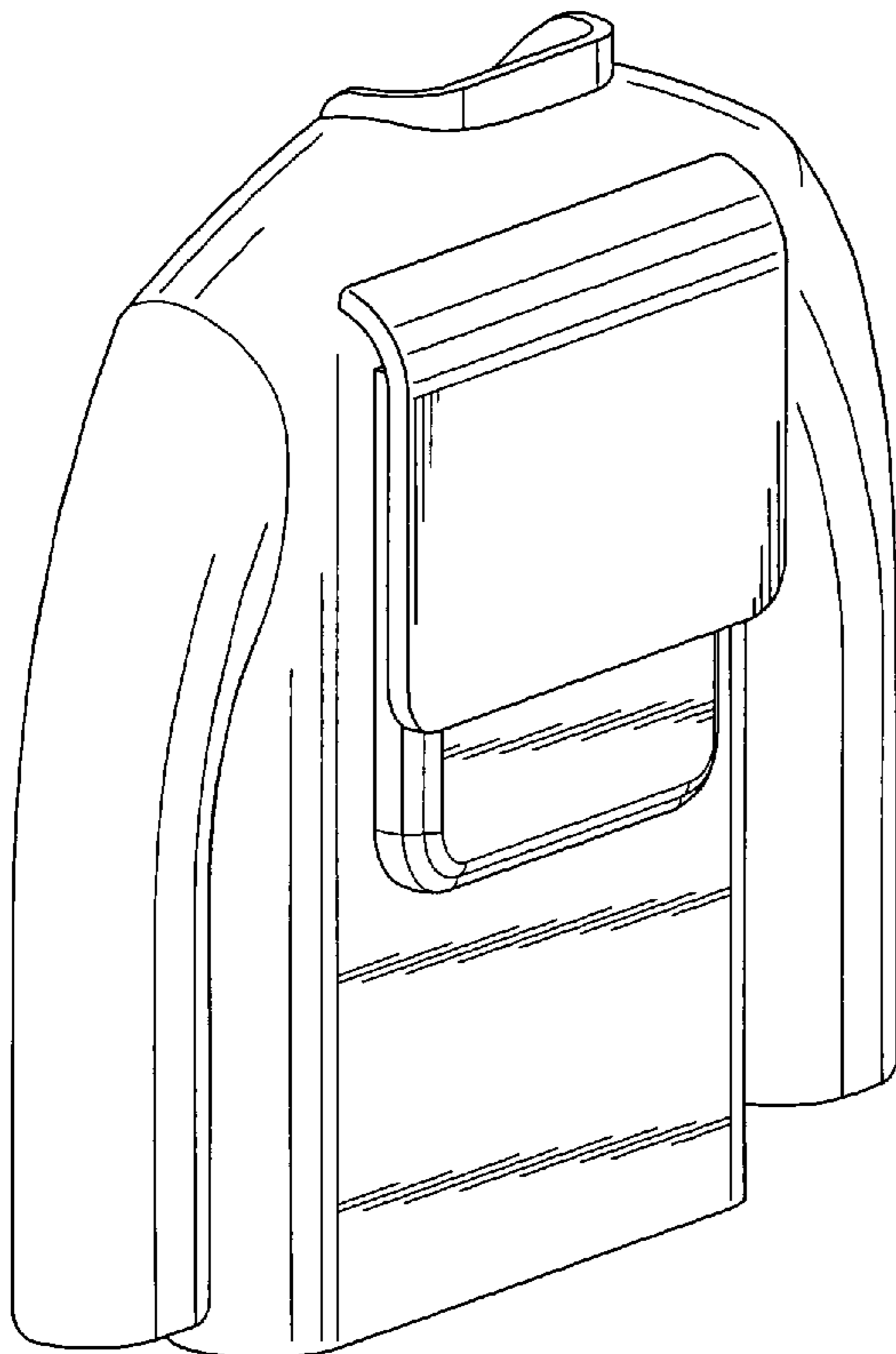
FIG. 5 is a left side elevational view thereof;

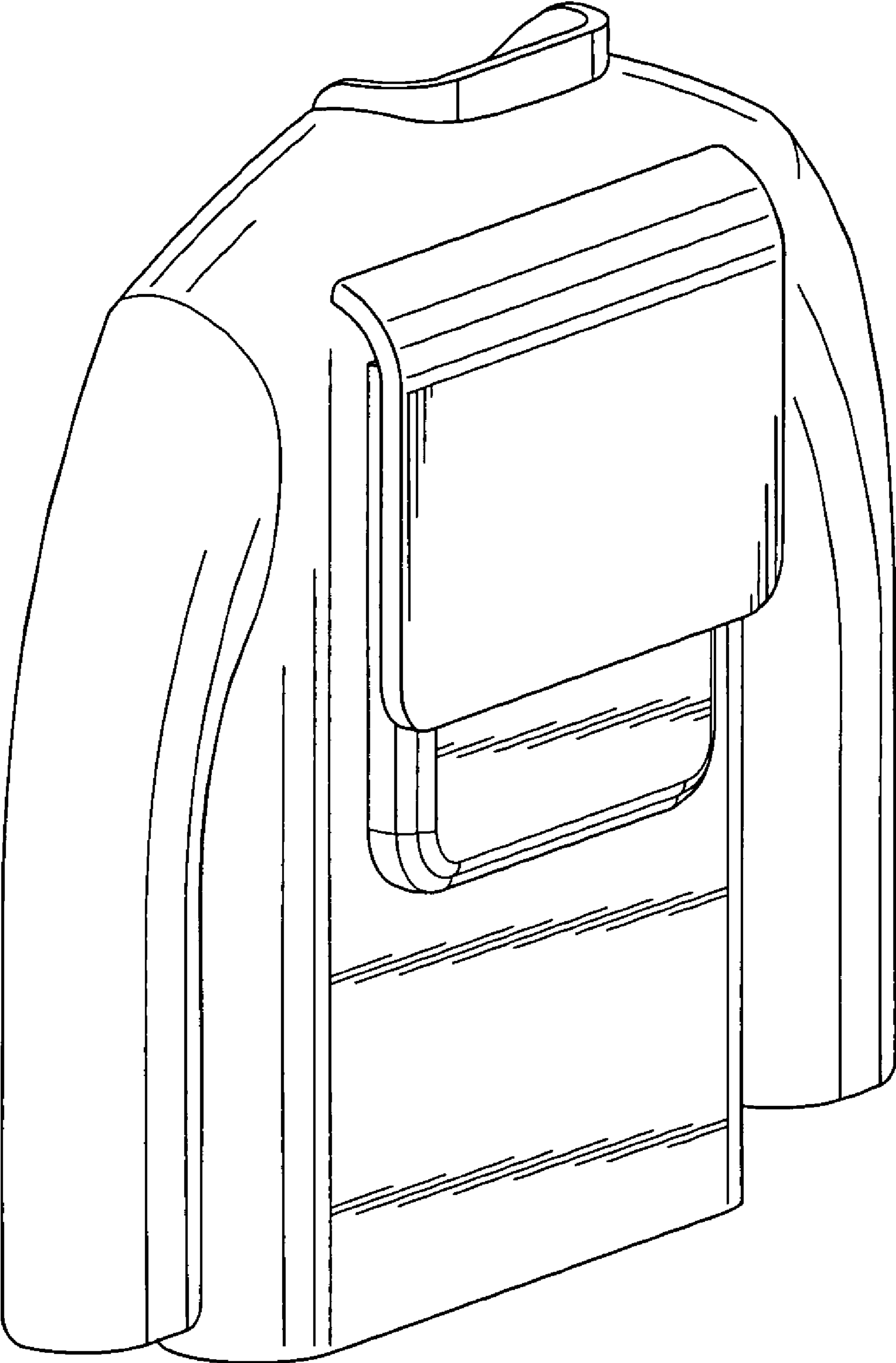
FIG. 6 is a top plan view thereof; and,

FIG. 7 is a bottom plan view thereof.

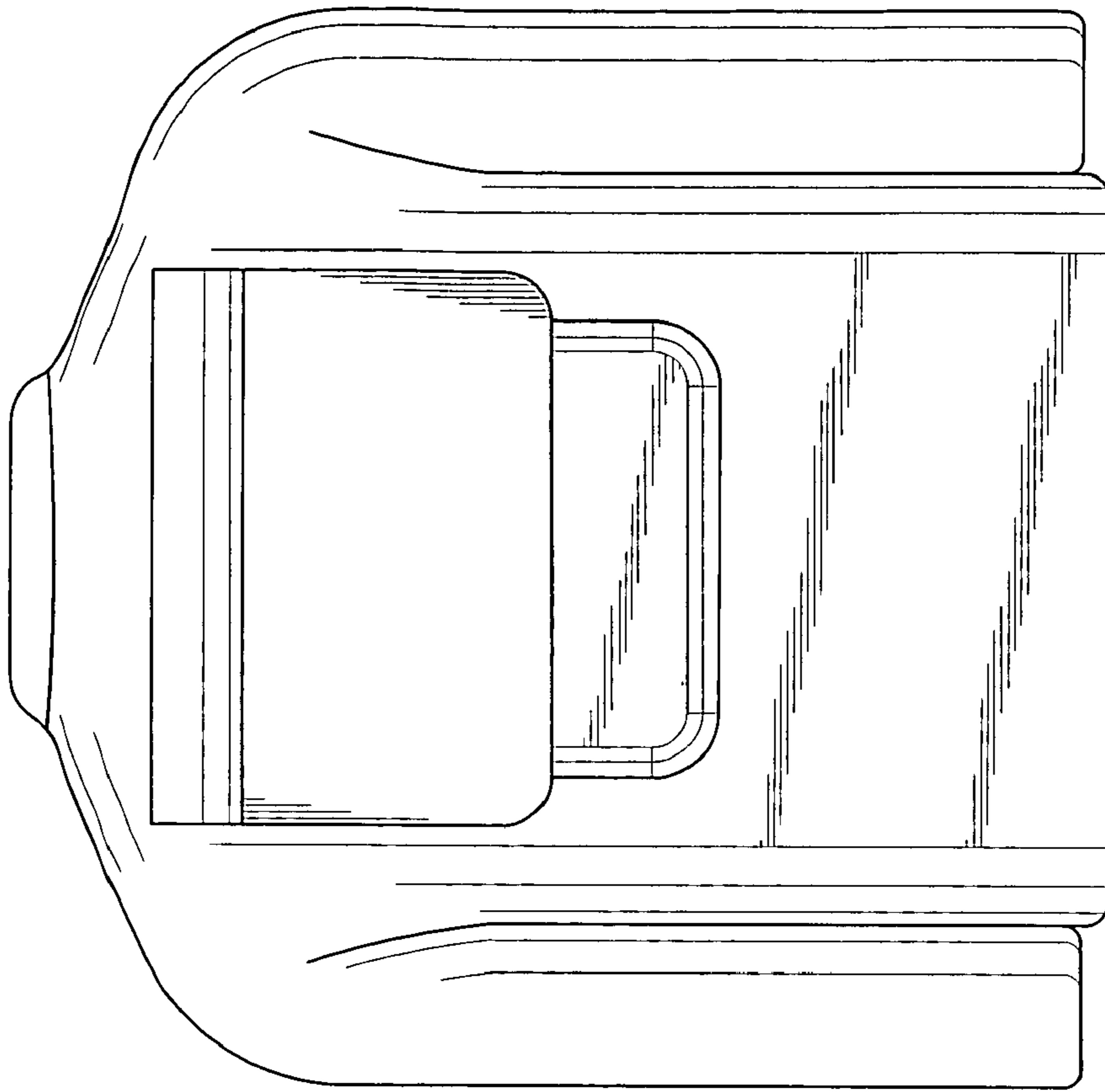
The broken lines shown on the front of FIG. 1 represent stitching.

**1 Claim, 3 Drawing Sheets**

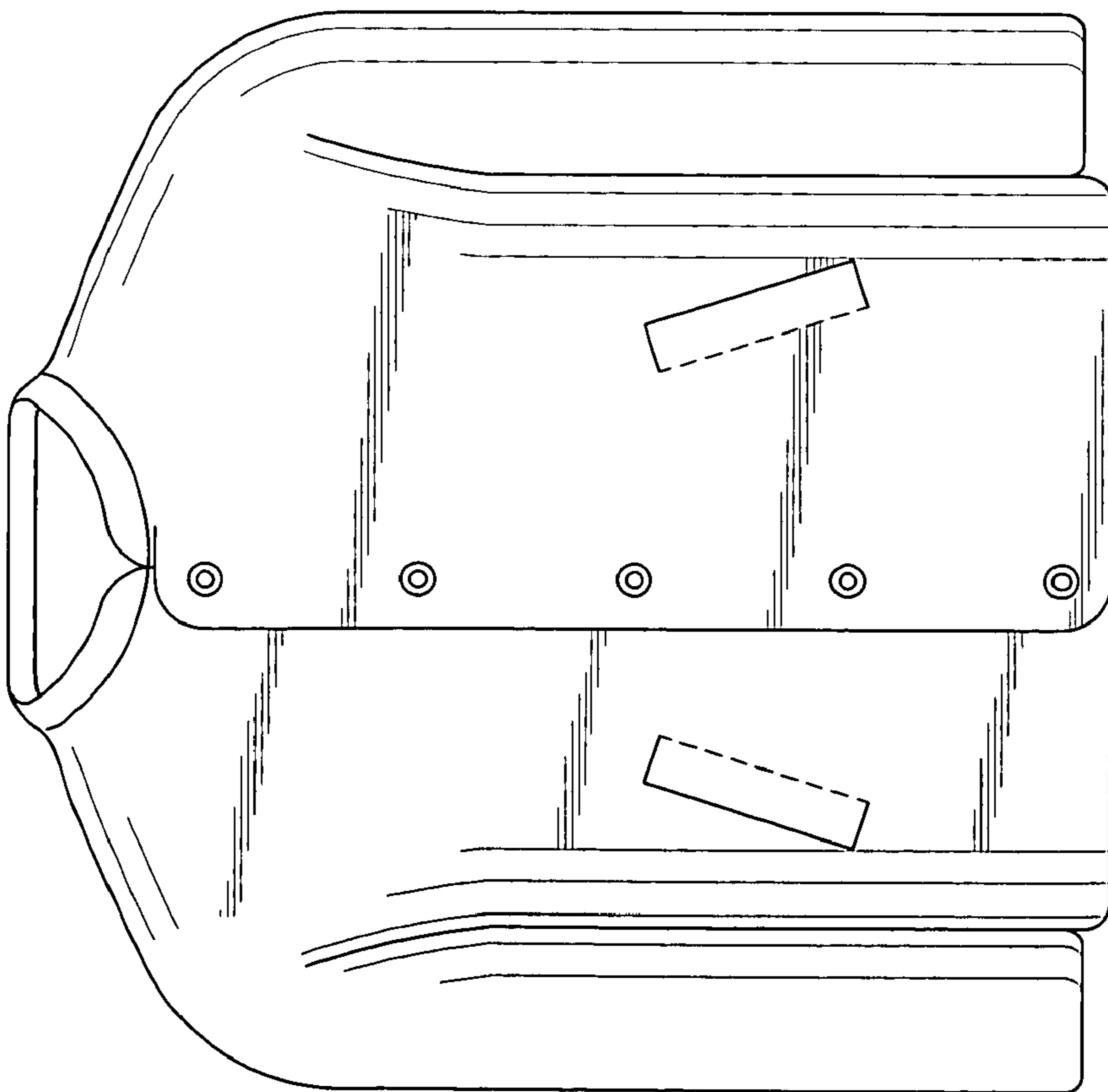




***FIG. 1***



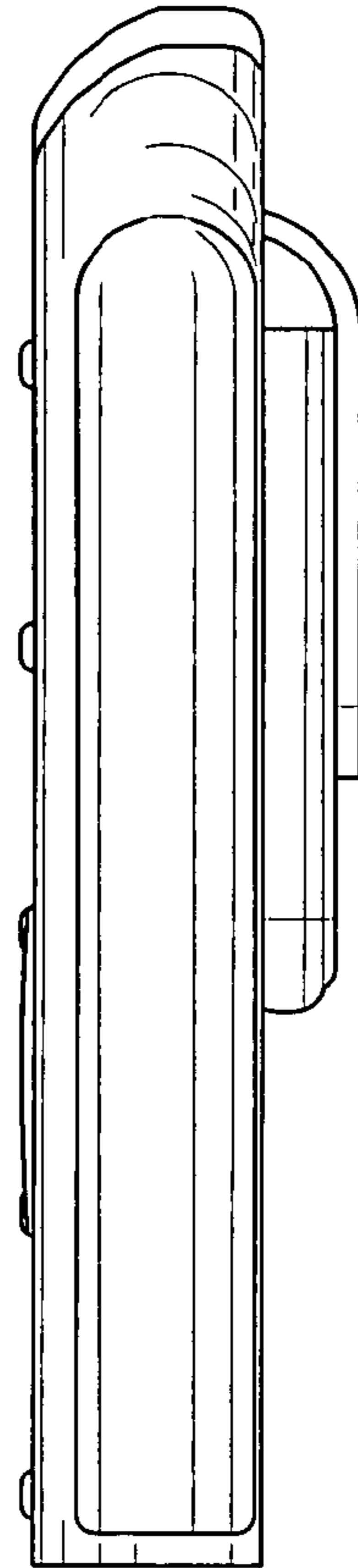
*FIG. 3*



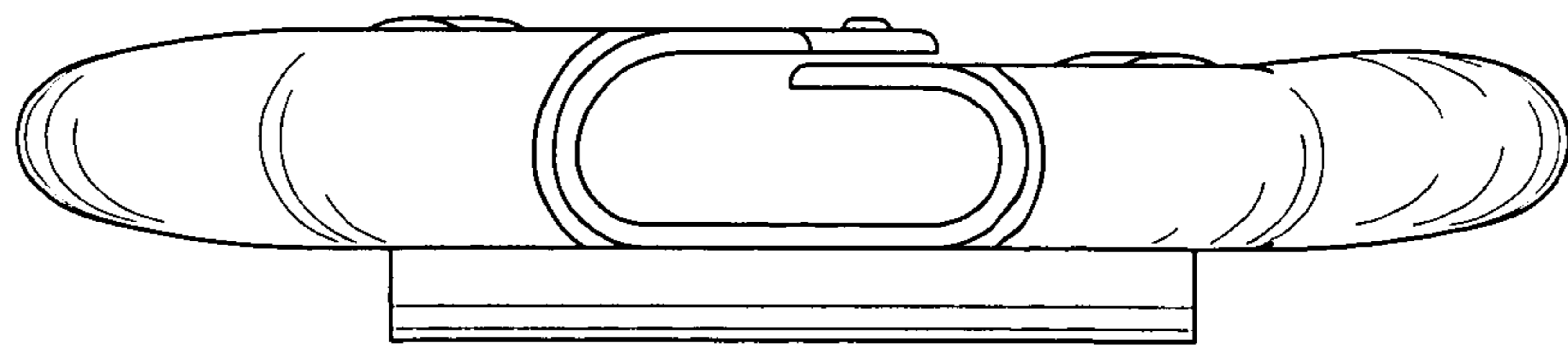
*FIG. 2*



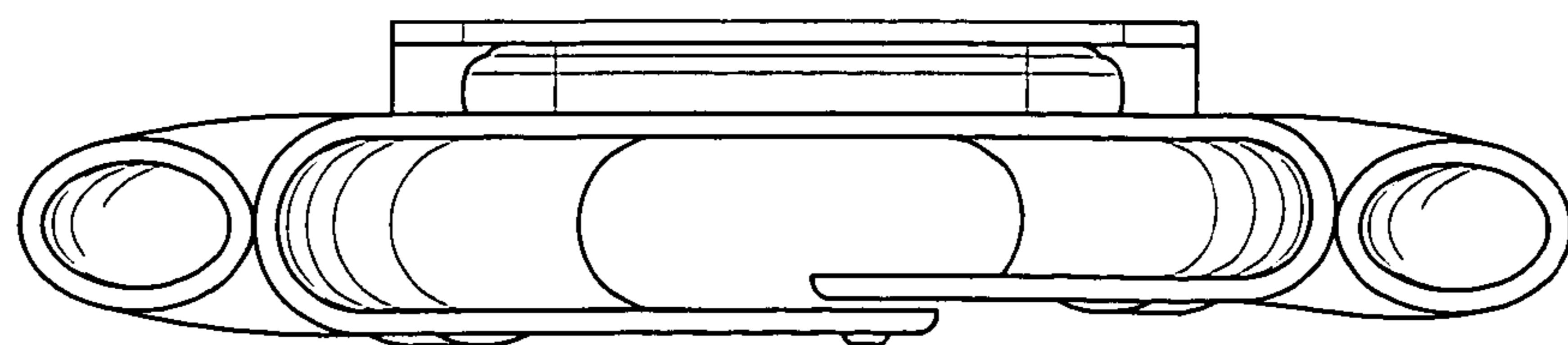
**FIG. 4**



**FIG. 5**



**FIG. 6**



**FIG. 7**