



US00D620232S

(12) **United States Design Patent**
Broudy

(10) **Patent No.:** **US D620,232 S**

(45) **Date of Patent:** **** Jul. 27, 2010**

(54) **STRAPLESS POCKET VEST**

2009/0044310 A1* 2/2009 Baacke 2/102

(75) Inventor: **Sanderson Broudy**, San Leandro, CA
(US)

* cited by examiner

(73) Assignee: **Mykeyno Holdings**, San Leandro, CA
(US)

Primary Examiner—Ian Simmons

Assistant Examiner—Wan Laymon

(74) *Attorney, Agent, or Firm*—Francis Law Group

(**) Term: **14 Years**

(57) **CLAIM**

(21) Appl. No.: **29/315,788**

I claim the ornamental design for a strapless pocket vest, as shown and described.

(22) Filed: **Jul. 22, 2009**

DESCRIPTION

(51) **LOC (9) Cl.** **02-02**

(52) **U.S. Cl.** **D2/839**

(58) **Field of Classification Search** D2/839,
D2/743, 750, 840, 844, 700, 717, 828–830,
D2/833, 836; 2/462, 95, 102, 108
See application file for complete search history.

FIG. 1 is a rear perspective view of a strapless pocket vest showing my new design;

FIG. 2 is a front elevational view thereof;

FIG. 3 is a rear elevational view thereof;

FIG. 4 is a right side elevational view thereof;

FIG. 5 is a left side elevational view thereof;

FIG. 6 is a top plan view thereof; and,

FIG. 7 is a bottom plan view thereof.

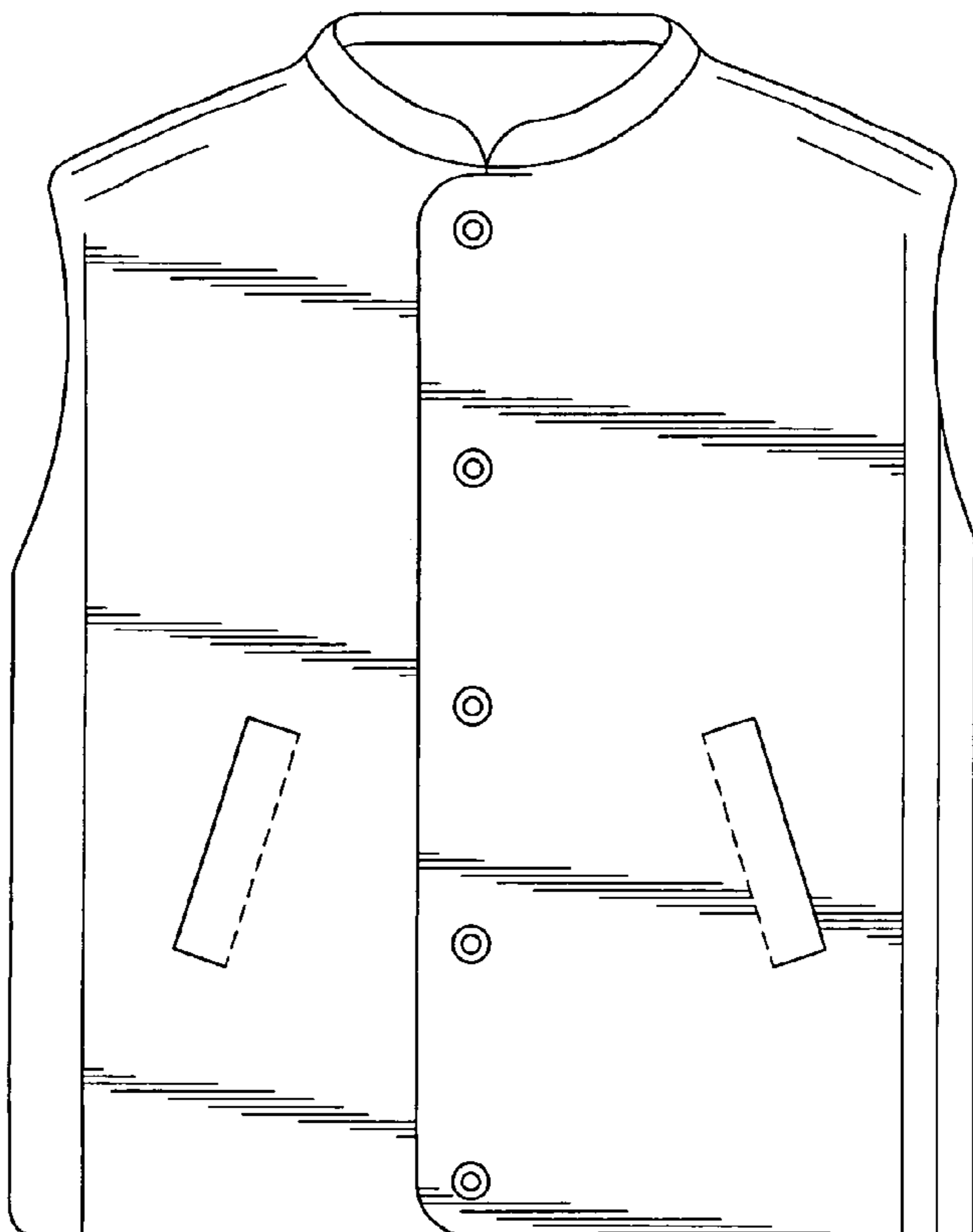
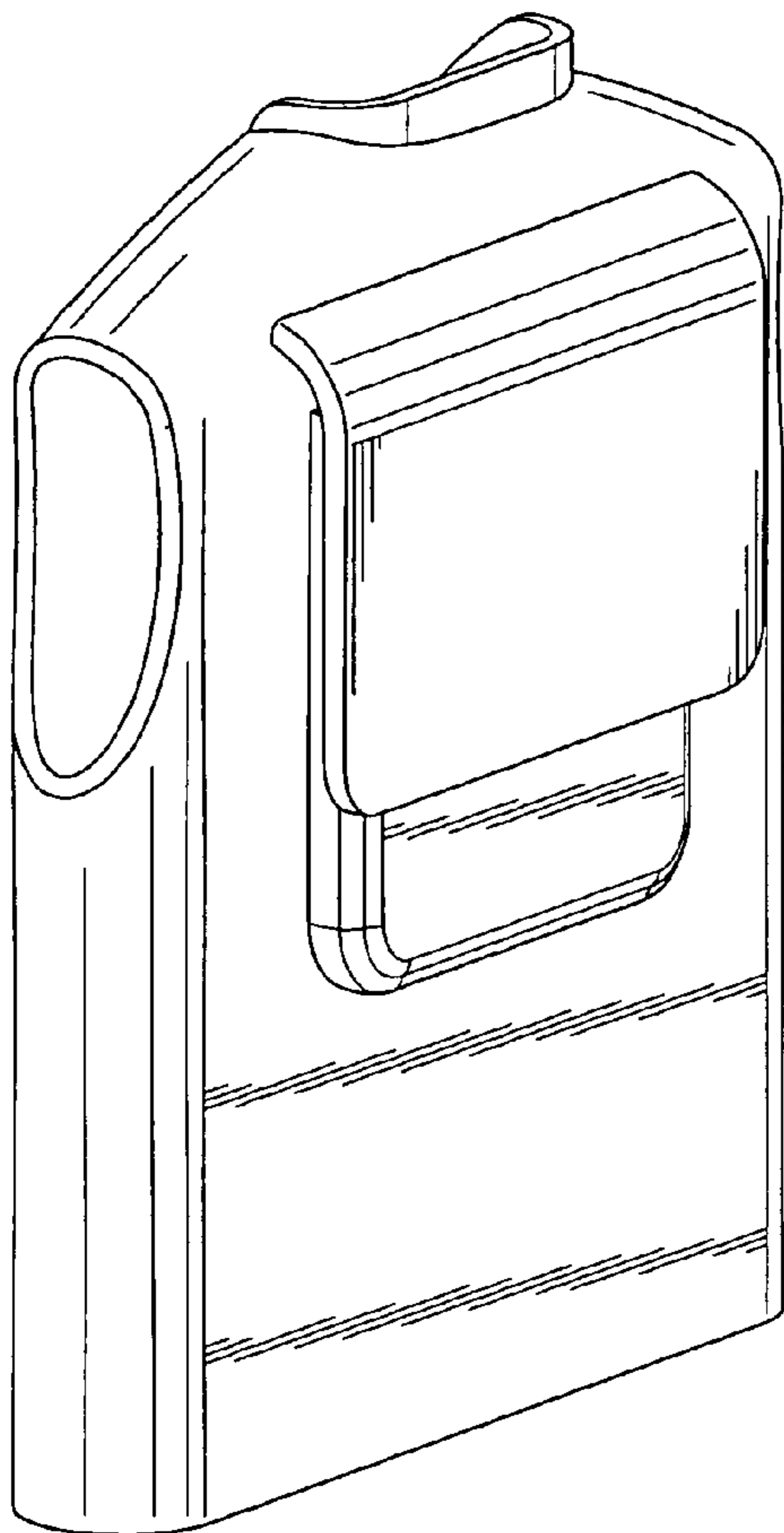
The broken lines shown on the front of FIG. 1 represent stitching.

(56) **References Cited**

U.S. PATENT DOCUMENTS

D292,140 S *	10/1987	Cahill et al.	D2/829
D392,439 S *	3/1998	Okoniewski	D2/829
D461,036 S *	8/2002	Forbes	D2/828
D571,475 S *	6/2008	Estep	D2/829
D575,931 S *	9/2008	Broudy	D2/839

1 Claim, 3 Drawing Sheets



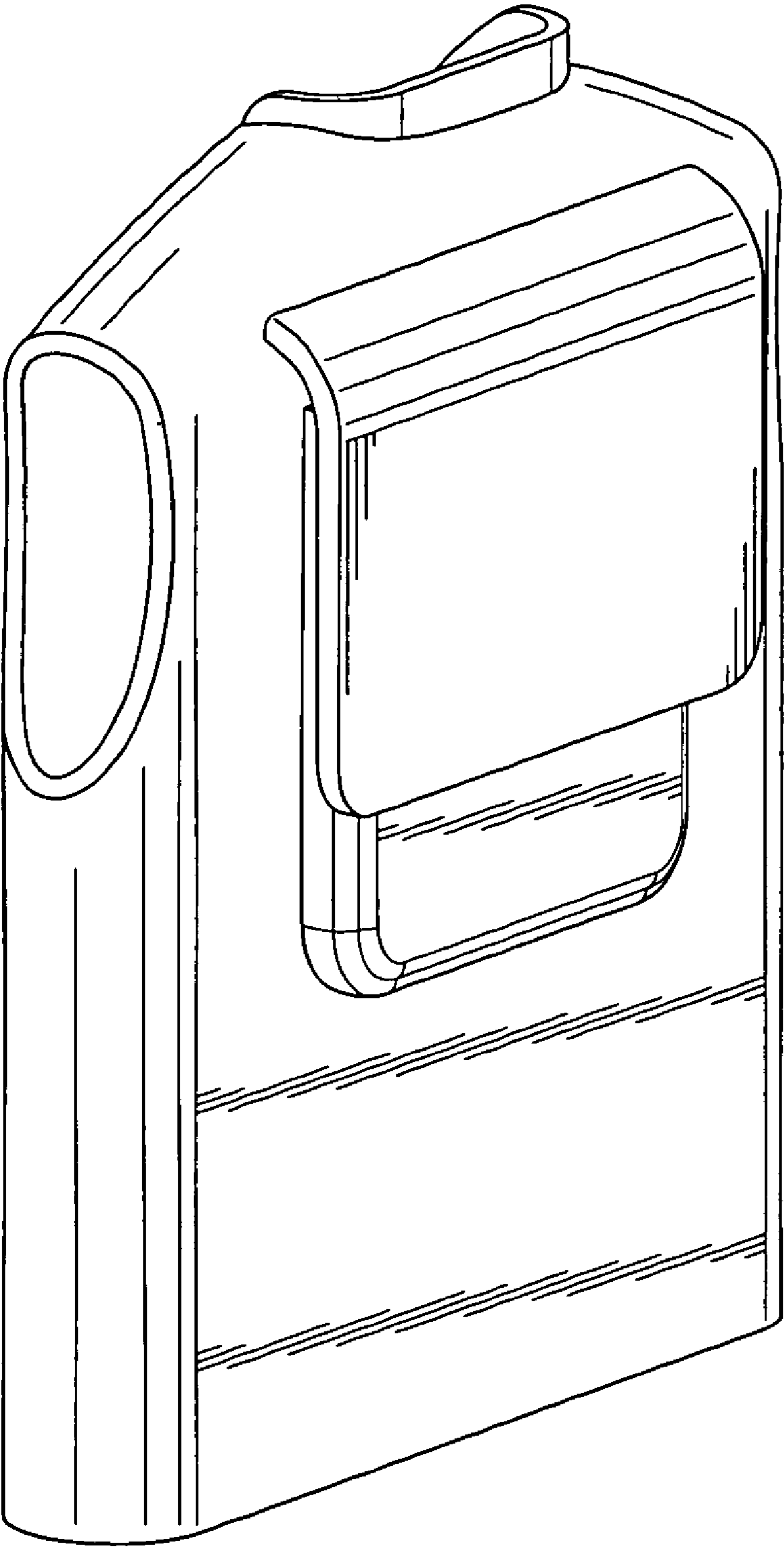


FIG. 1

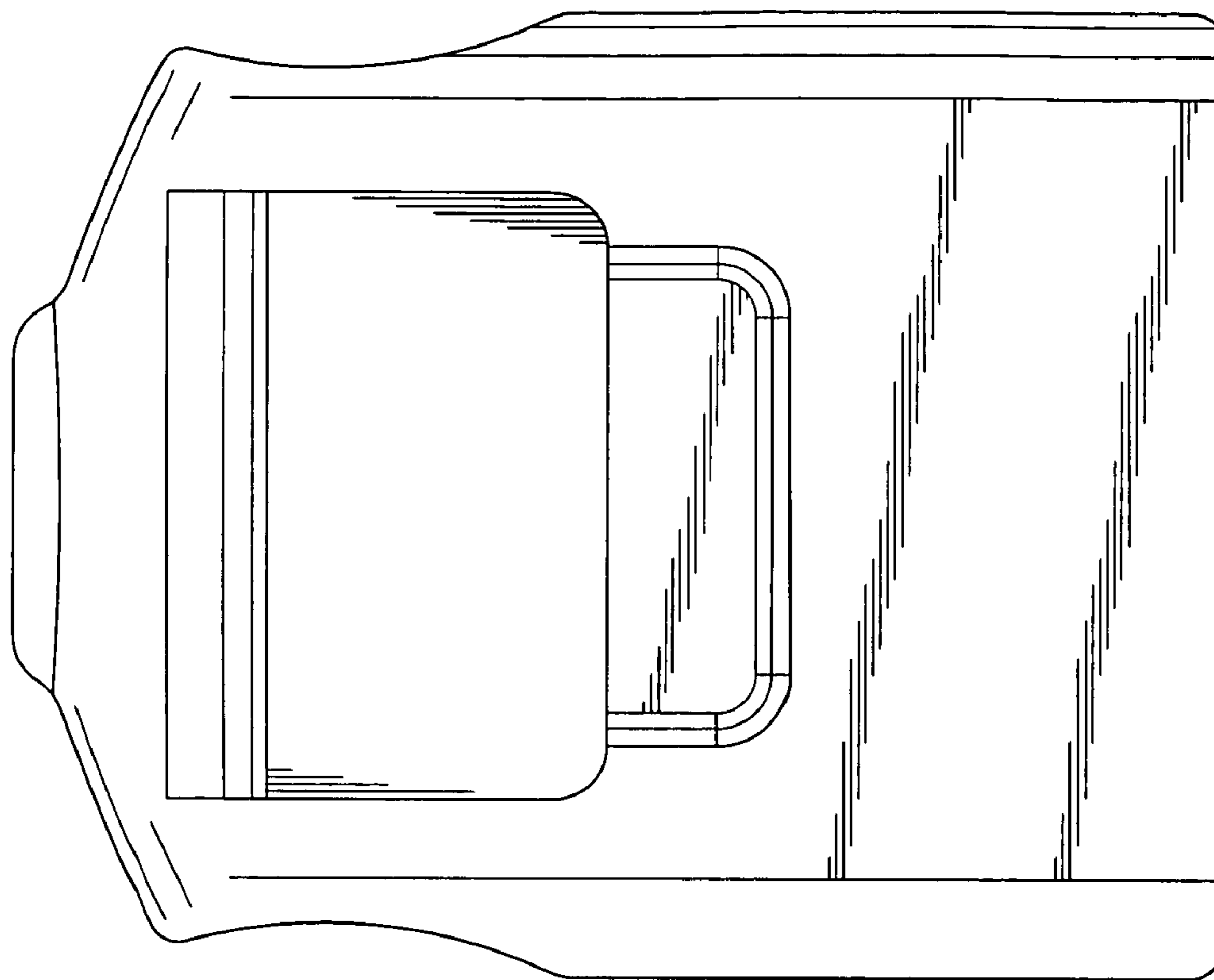


FIG. 3

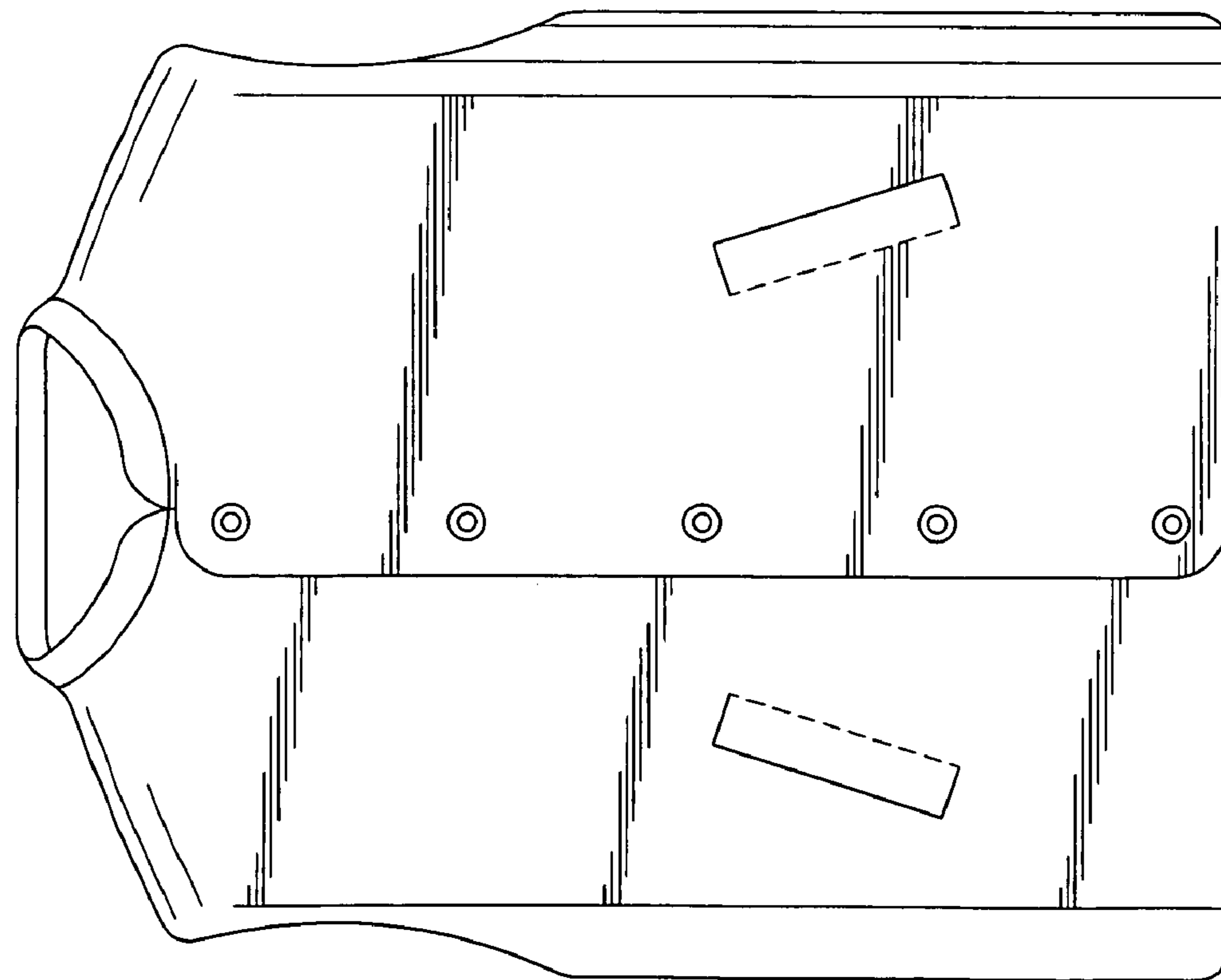


FIG. 2

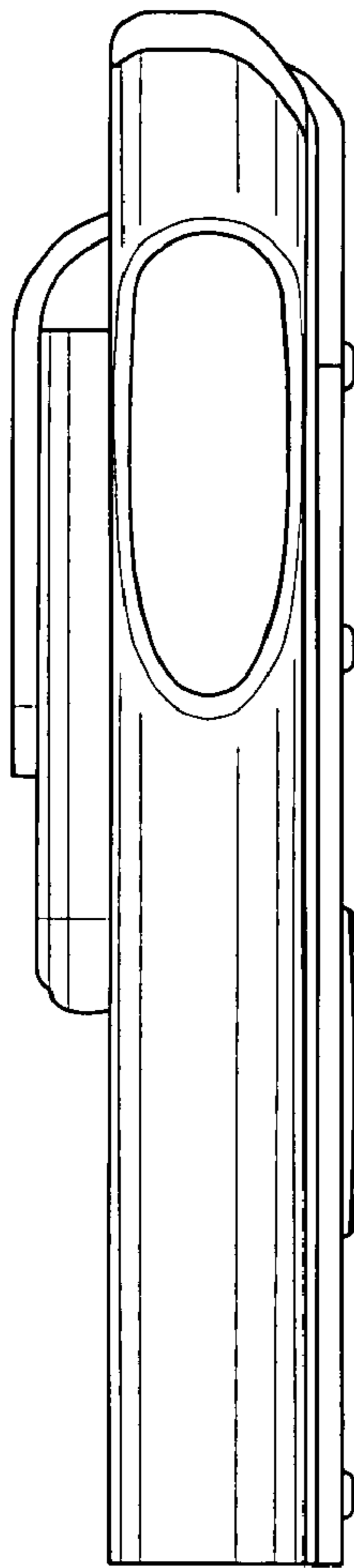


FIG. 4

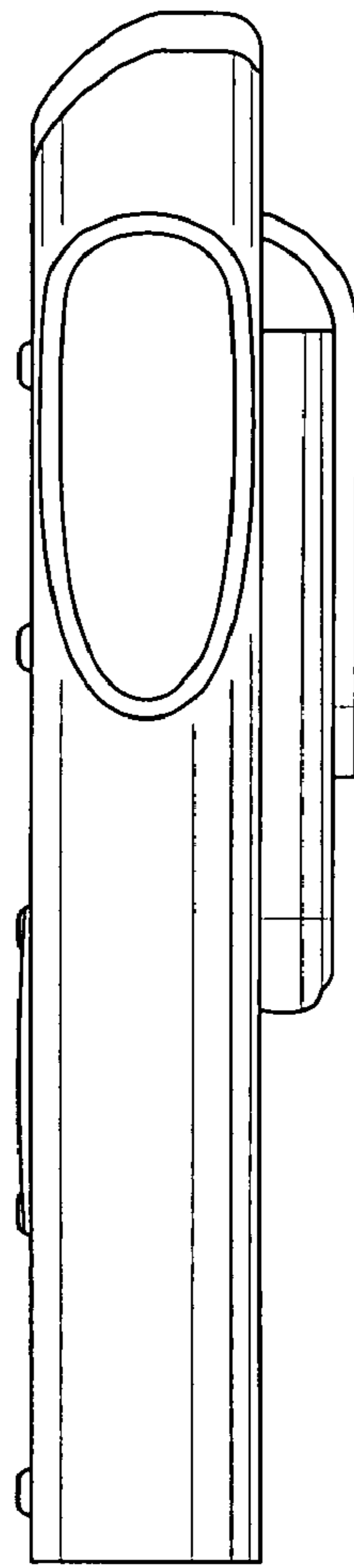


FIG. 5

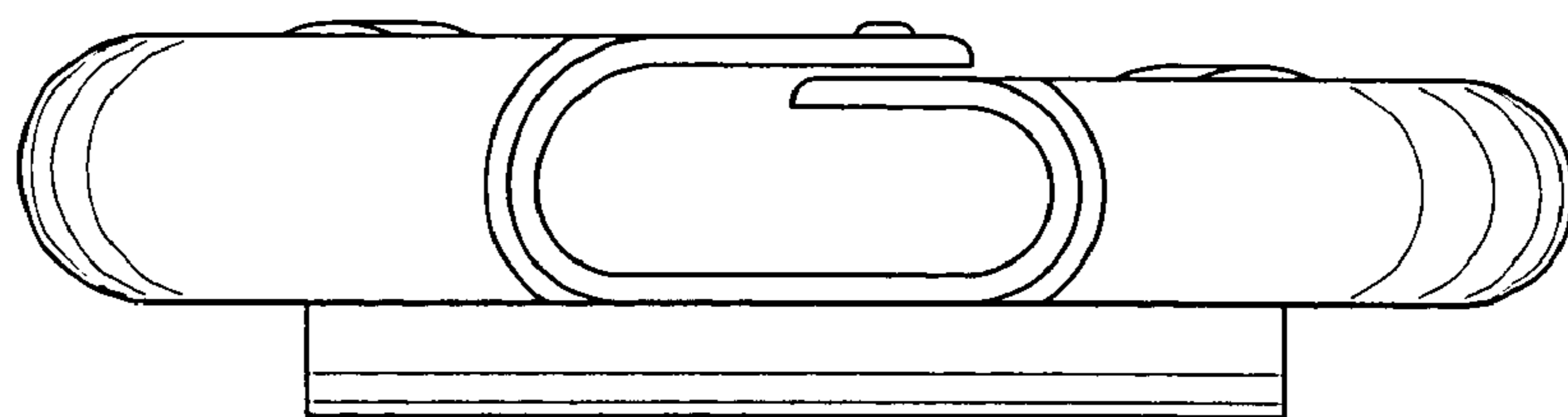


FIG. 6

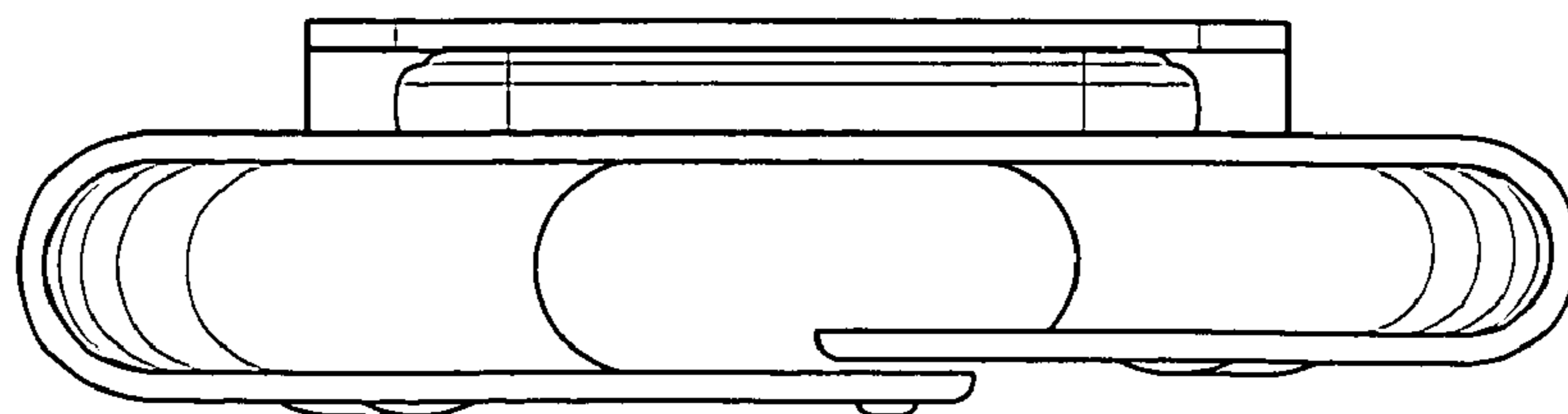


FIG. 7