



US00D620224S

(12) **United States Design Patent**
Houde et al.

(10) **Patent No.:** **US D620,224 S**

(45) **Date of Patent:** **** Jul. 20, 2010**

(54) **CASKET**

(75) Inventors: **Jean-François Houde**, Laurier-Station (CA); **Réjean Houde**, Laurier-Station (CA)

(73) Assignee: **Cercueils Concept Inc.**, St.-Edouard de Lotbinière QC (CA)

(**) Term: **14 Years**

(21) Appl. No.: **29/352,547**

(22) Filed: **Dec. 22, 2009**

(51) **LOC (9) Cl.** **99-00**

(52) **U.S. Cl.** **D99/8**

(58) **Field of Classification Search** D99/1-24;
27/2-10, 14, 27, 30, 35; D5/4, 23, 43, 46,
D5/50, 54, 369, 370; 144/333

See application file for complete search history.

(56) **References Cited**

U.S. PATENT DOCUMENTS

- 1,054,289 A * 2/1913 Goodrich 27/7
- D84,113 S * 5/1931 Smith D99/7
- D84,844 S * 8/1931 Ostwald D99/7
- D88,891 S * 1/1933 Raap D99/7
- D88,931 S * 1/1933 Raap D99/7

- D91,753 S * 3/1934 Beck D99/7
- D96,631 S * 8/1935 Smith D99/7
- D101,643 S * 10/1936 Larson D99/7

* cited by examiner

Primary Examiner—Holly H Baynham

Assistant Examiner—Michelle E Wilson

(74) *Attorney, Agent, or Firm*—Alexandre Daoust; Ogilvy Renault LLP

(57) **CLAIM**

The ornamental design for a casket, as shown and described.

DESCRIPTION

FIG. 1 is a perspective view of a casket showing my new design;

FIG. 2 is a left side view of thereof, the right side view being identical to the left side view;

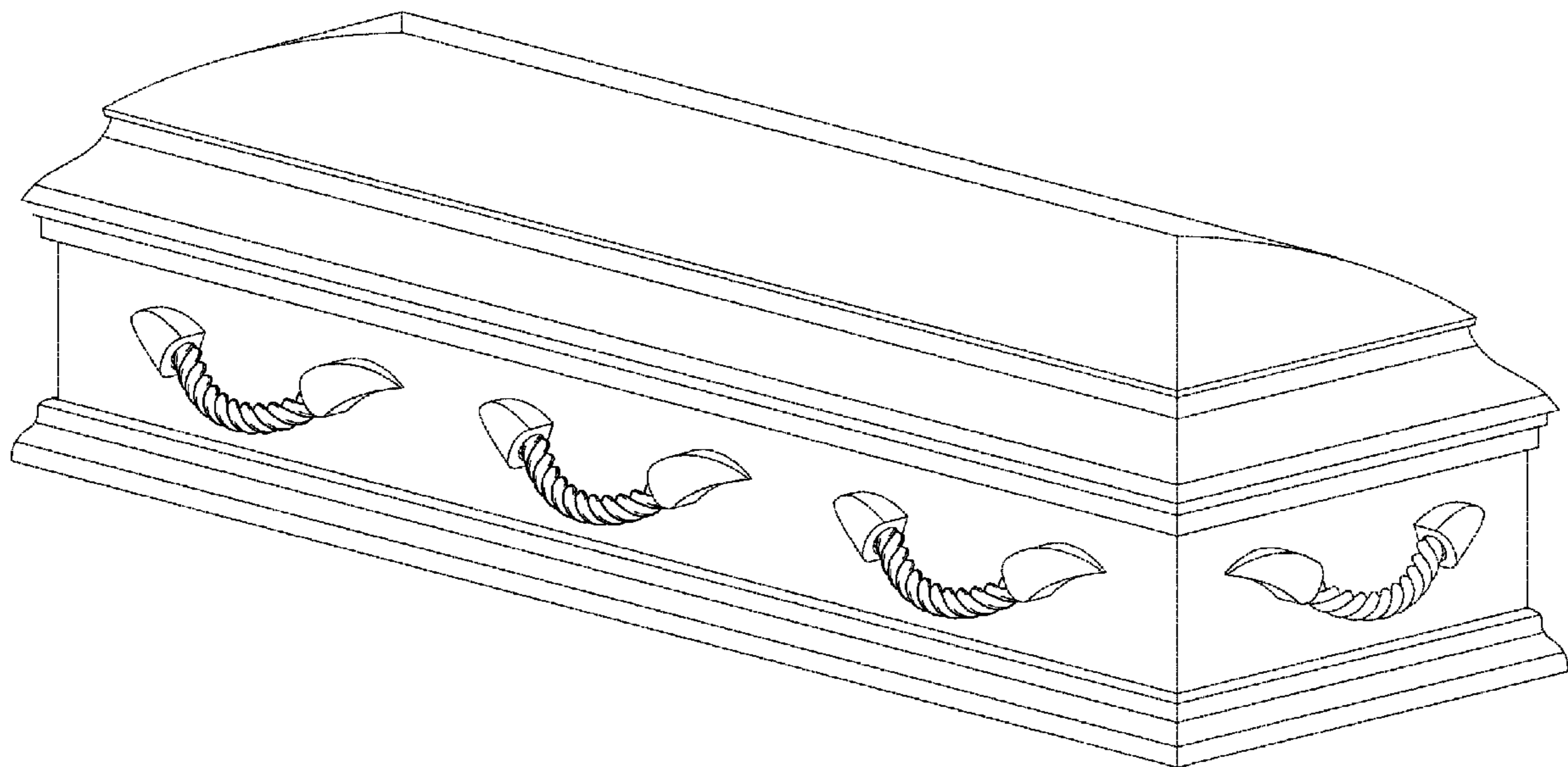
FIG. 3 is a front view thereof, the rear view being identical to the front view;

FIG. 4 is a top view thereof; and,

FIG. 5 is a bottom view thereof.

The dashed line showing of structural lines is included for the purpose of illustrating non-claimed subject matter and forms no part of the claimed design.

1 Claim, 5 Drawing Sheets



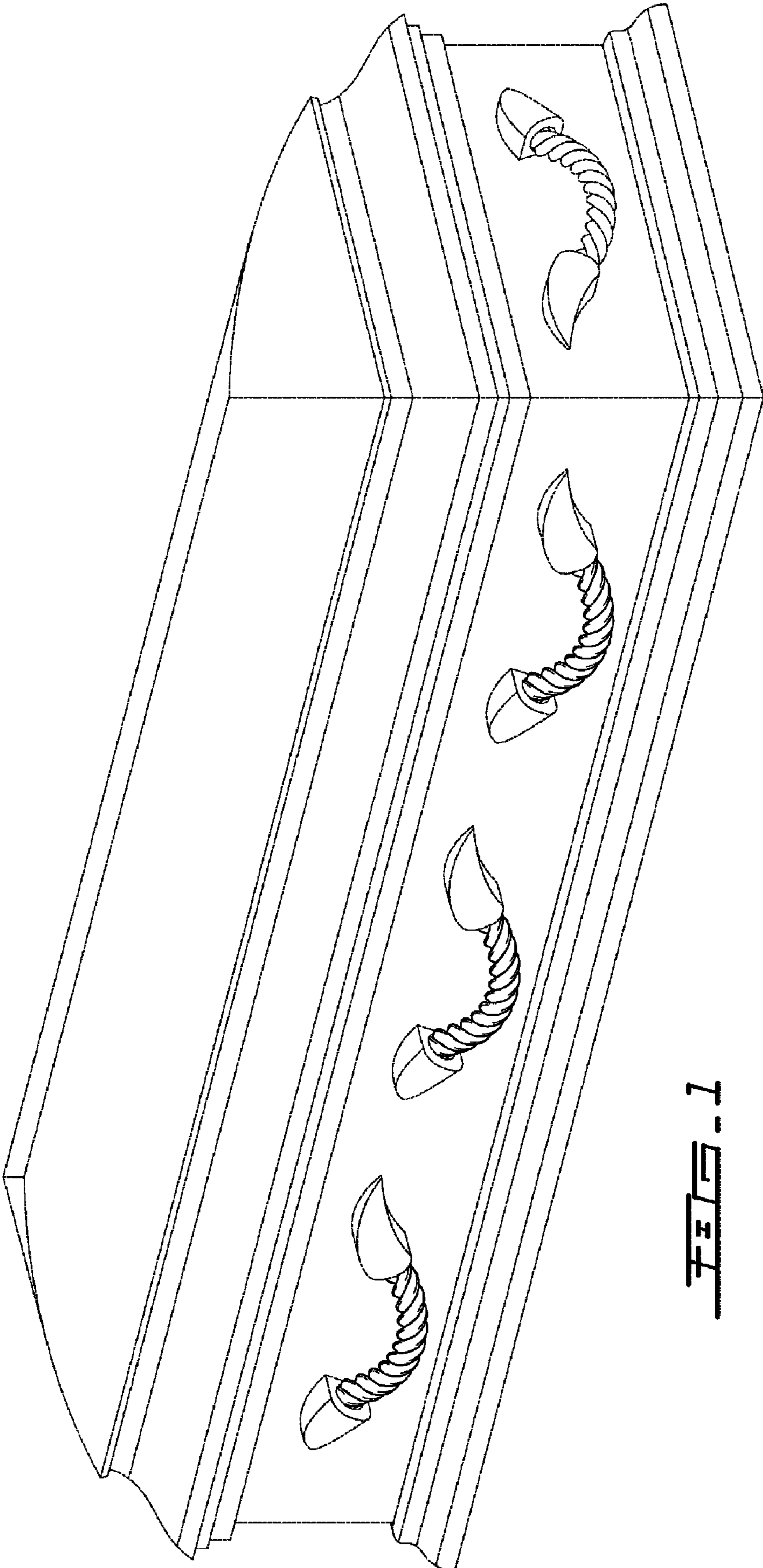


FIG. 1

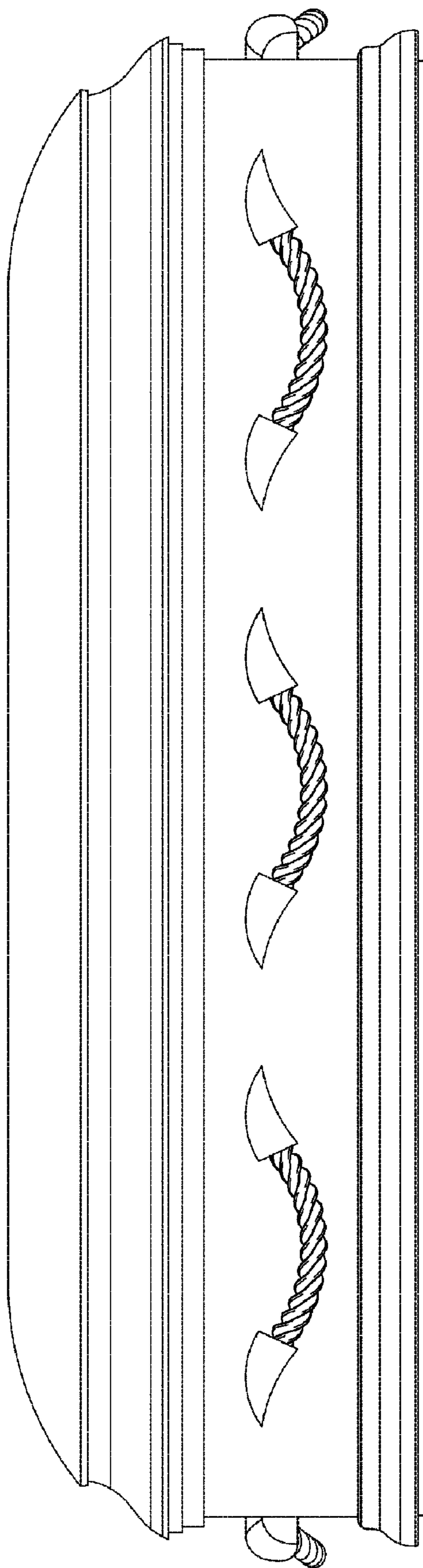


FIG. 2

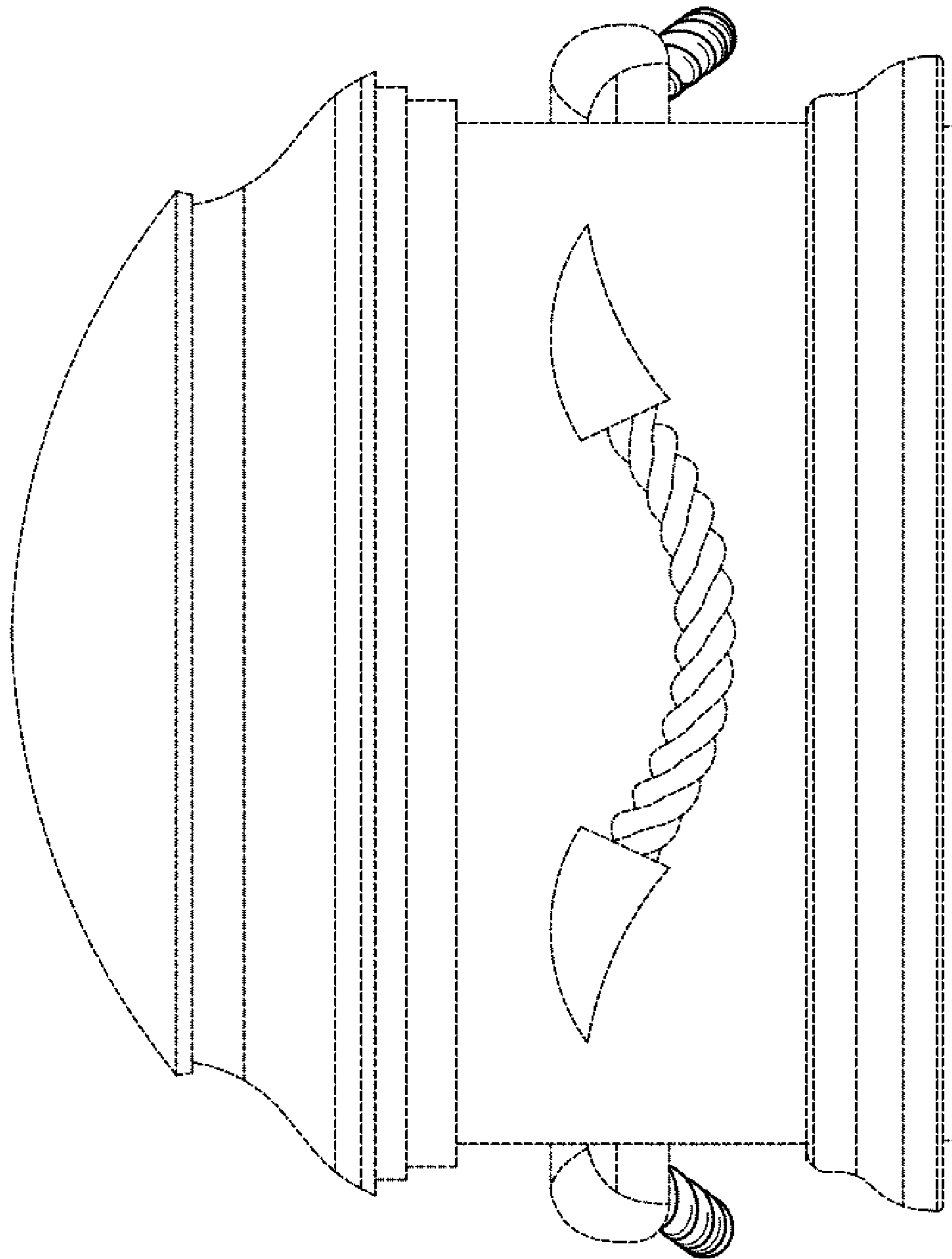


FIG. 3

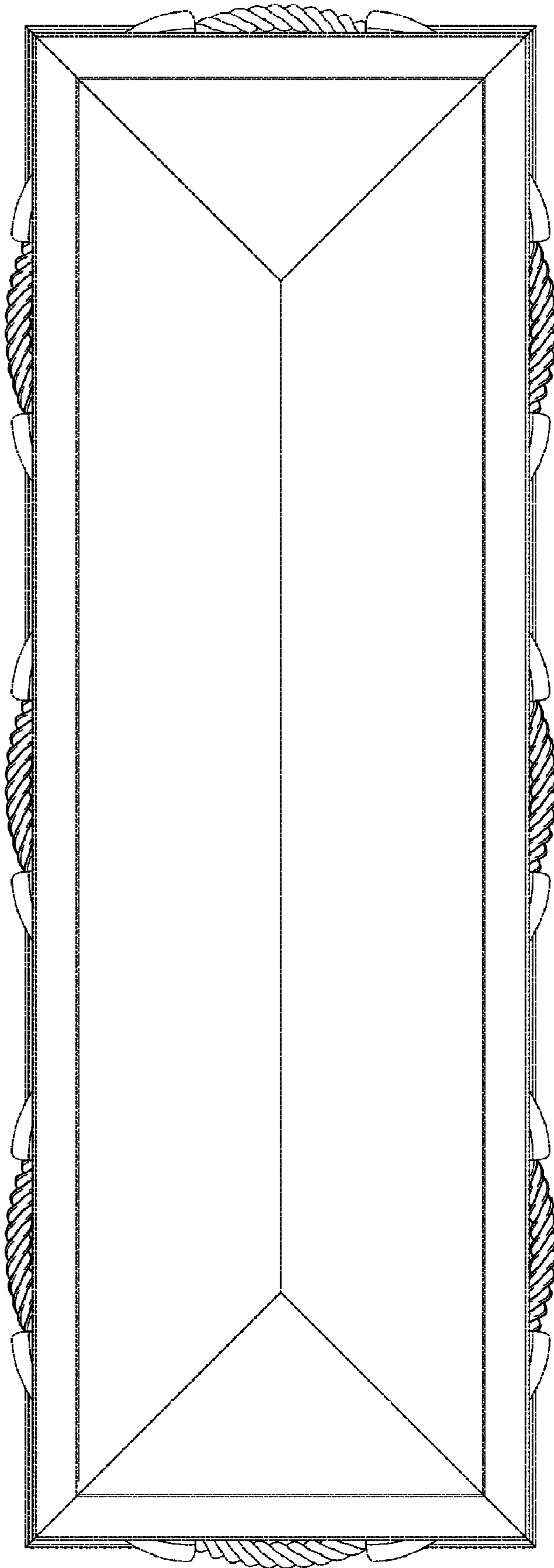


FIG. 4

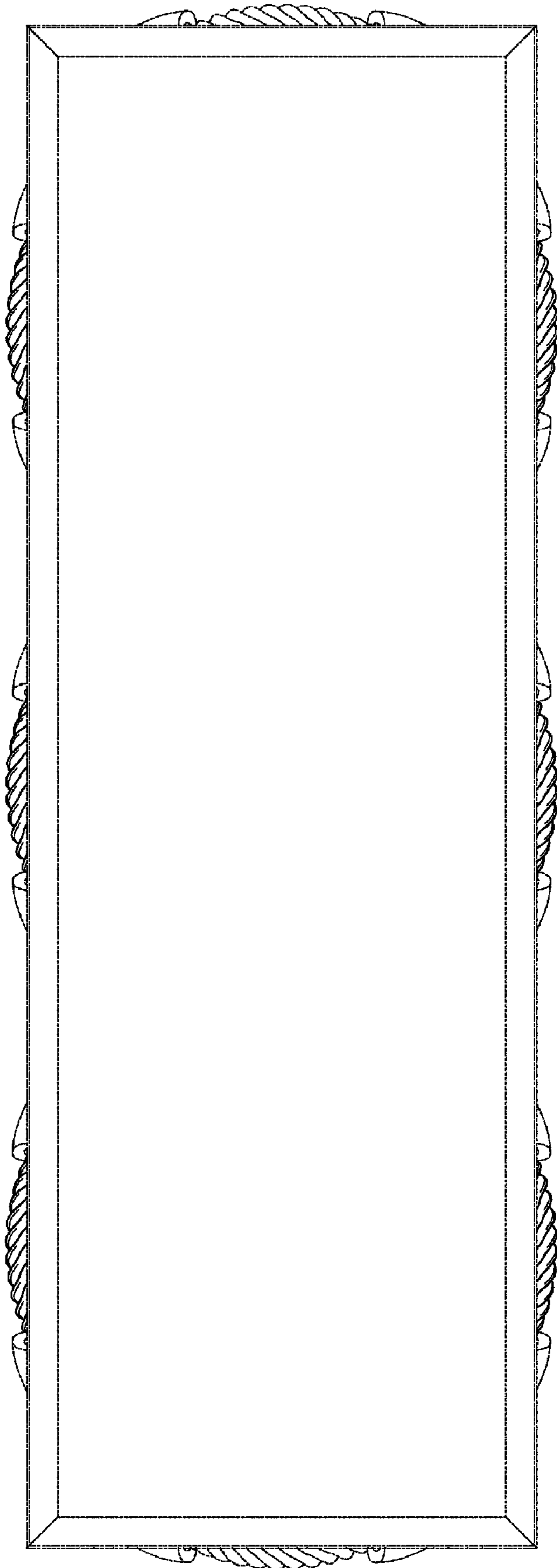


FIG. 5