



US00D620223S

(12) **United States Design Patent**  
**Houde**

(10) **Patent No.:** **US D620,223 S**  
(45) **Date of Patent:** **\*\* Jul. 20, 2010**

(54) **CASKET**

D580,622 S \* 11/2008 Houde ..... D99/8

(75) Inventor: **Jean-François Houde**, Laurier-Station (CA)

\* cited by examiner

(73) Assignee: **Cercueils Concept Inc.**, St-Edouard de Lotbinière QC (CA)

*Primary Examiner*—Holly H Baynham  
*Assistant Examiner*—Michelle E Wilson  
(74) *Attorney, Agent, or Firm*—Alexandre Daoust; Ogilvy Renault LLP

(\*\*) Term: **14 Years**

(57) **CLAIM**

(21) Appl. No.: **29/352,189**

The ornamental design for a casket, as shown and described.

(22) Filed: **Dec. 17, 2009**

**DESCRIPTION**

(51) **LOC (9) Cl.** ..... **99-00**

FIG. 1 is a perspective view of a casket showing my new design;

(52) **U.S. Cl.** ..... **D99/8**

FIG. 2 is a left side view of thereof, the right side view being identical to the left side view;

(58) **Field of Classification Search** ..... D99/1-24;  
27/2-10, 14, 27, 30, 35; D5/4, 23, 43, 46,  
D5/50, 54, 369, 370; 144/333

FIG. 3 is a front view thereof, the rear view being identical to the front view;

See application file for complete search history.

FIG. 4 is a top view thereof; and,

(56) **References Cited**

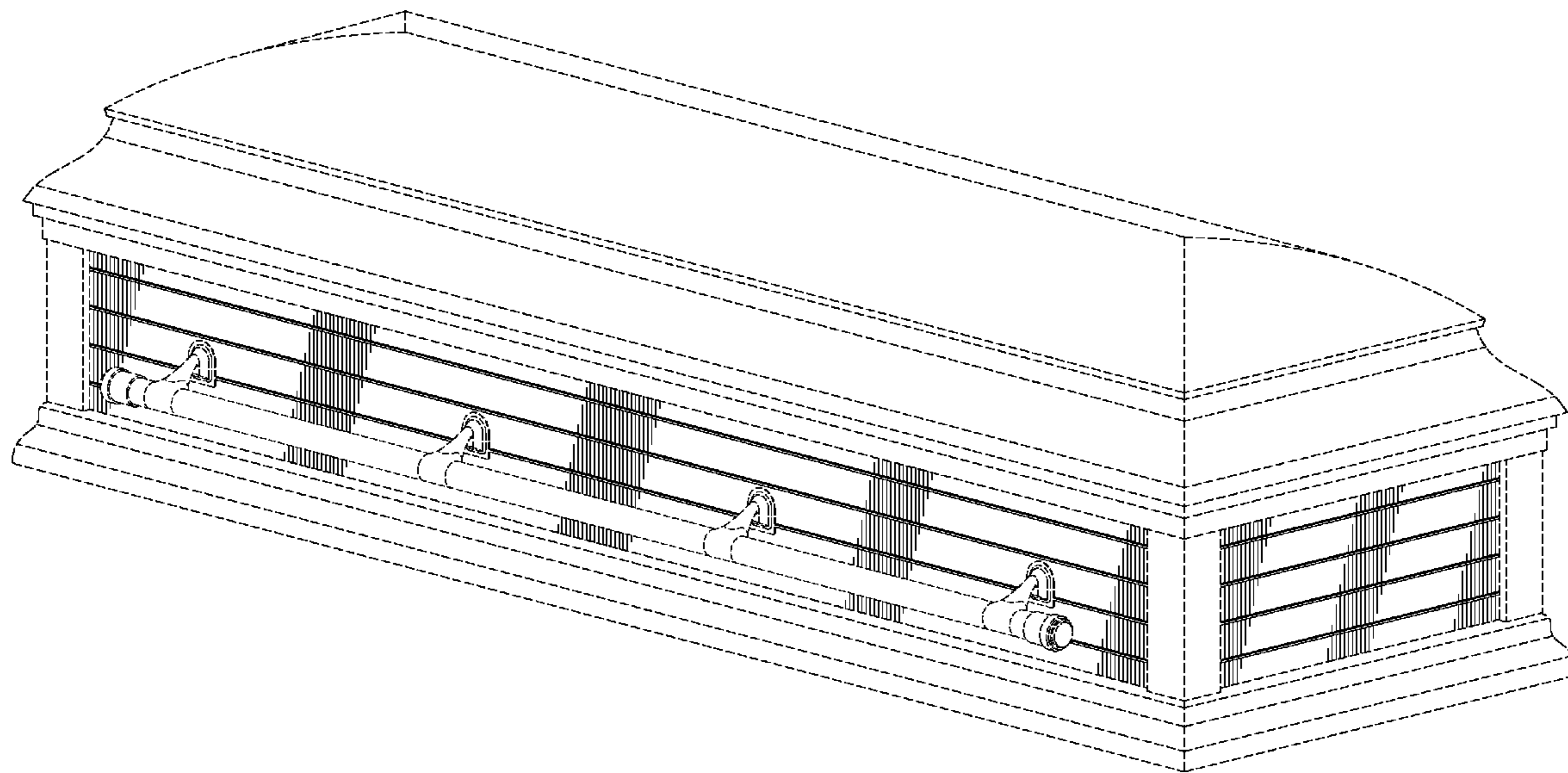
FIG. 5 is a bottom view thereof.

**U.S. PATENT DOCUMENTS**

The dashed line showing of structural lines is included for the purpose of illustrating non-claimed subject matter and forms no part of the claimed design.

D68,124 S *	9/1925	Strunk	.....	D99/7
D92,896 S *	7/1934	Gardner	.....	D99/7
D288,256 S *	2/1987	Beardsley	.....	D99/7
D417,057 S *	11/1999	Jeffers	.....	D99/7
D420,194 S *	2/2000	Cummings	.....	D99/1

**1 Claim, 5 Drawing Sheets**



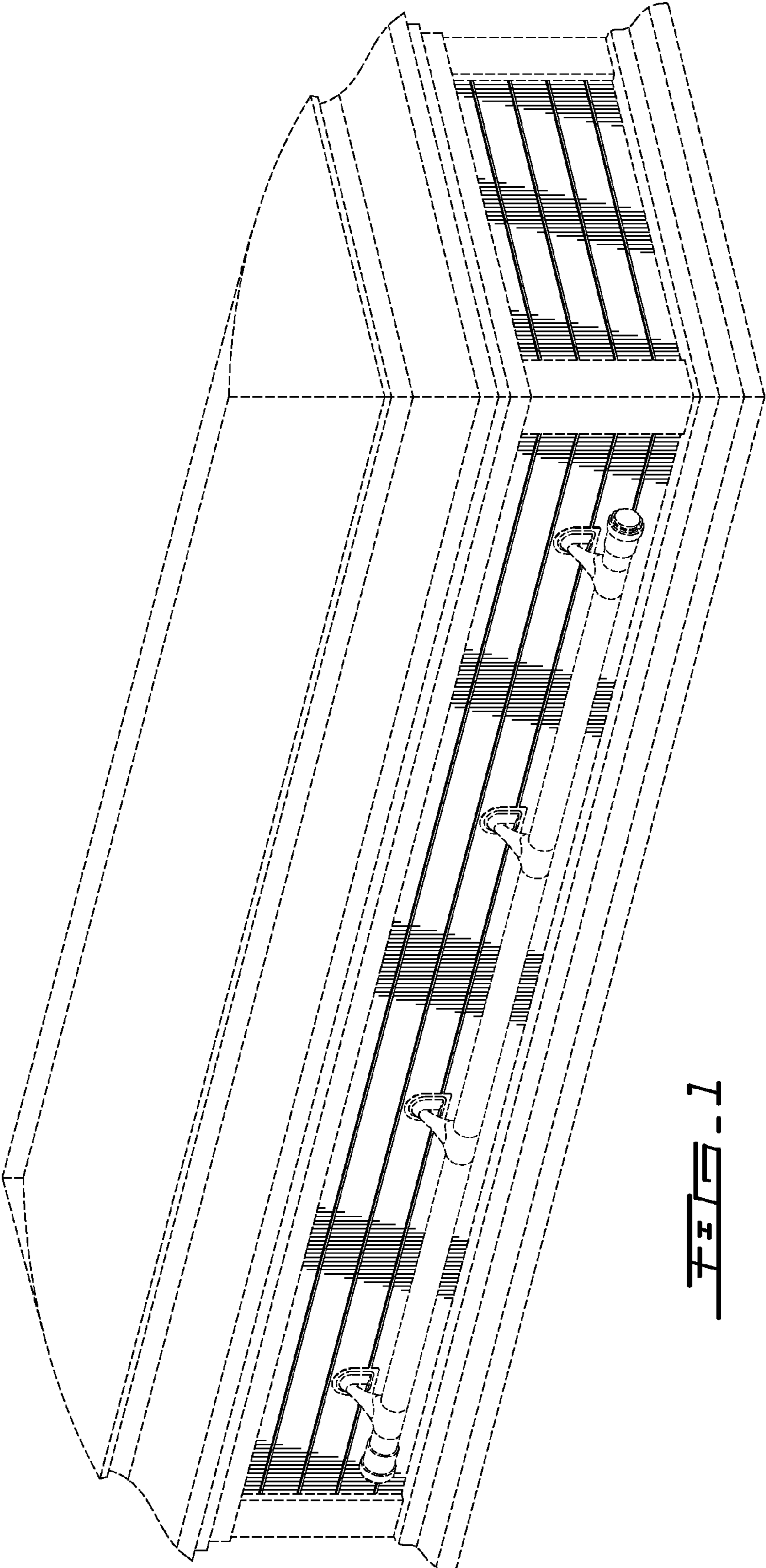


FIG. 1



FIG. 2

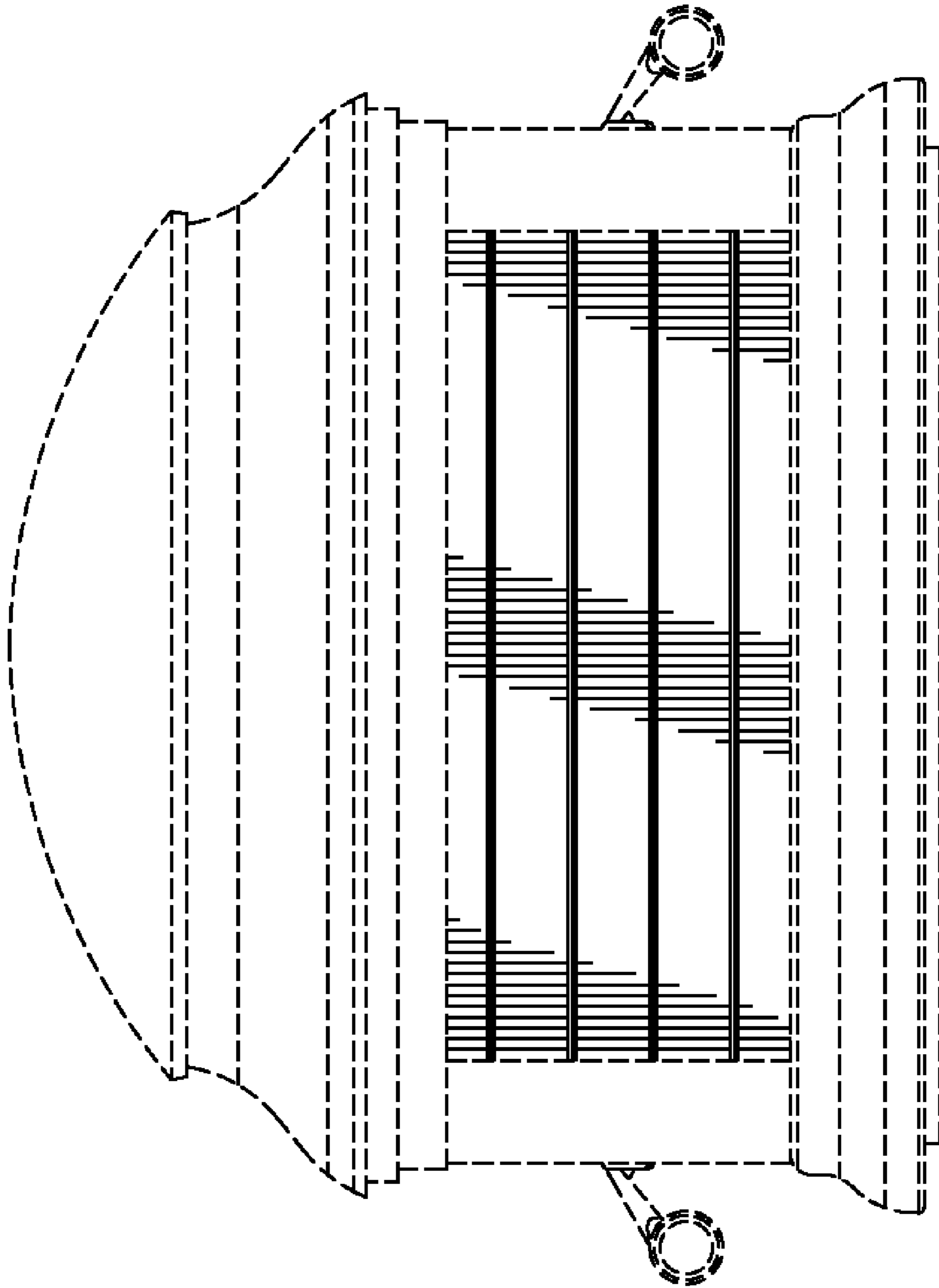


FIG. 3

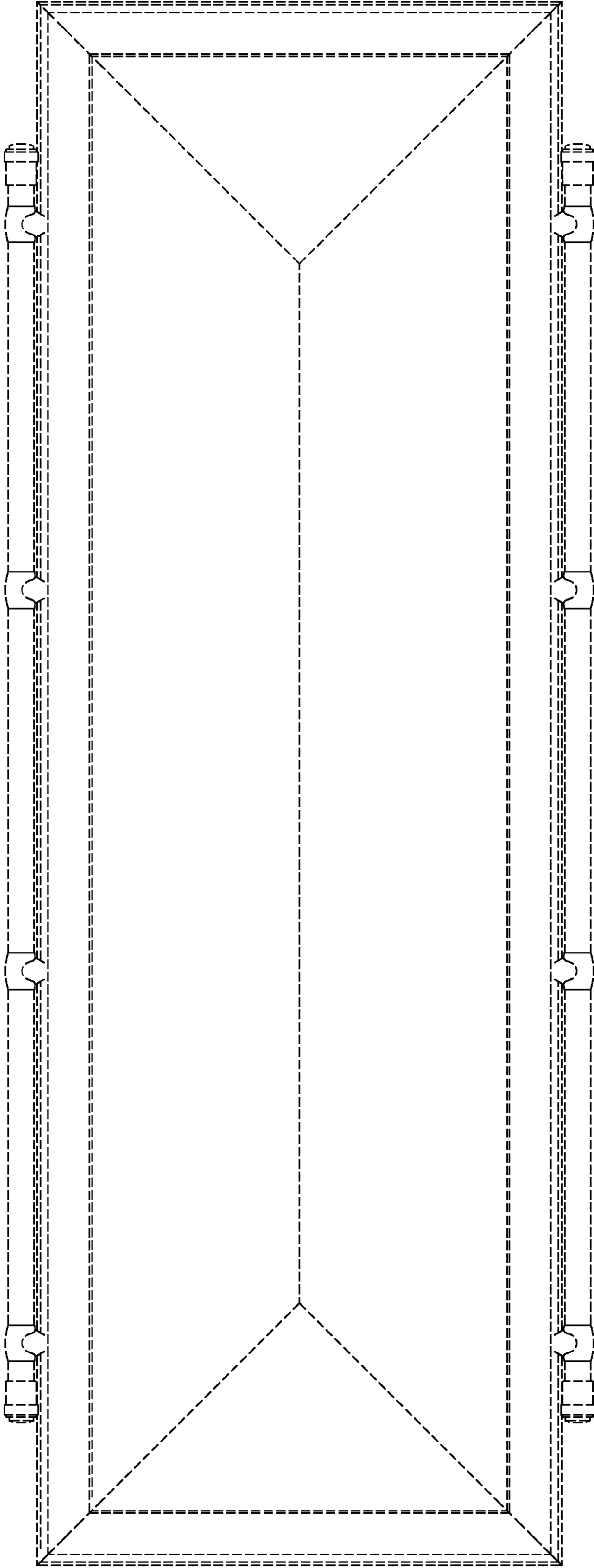


FIG. 4

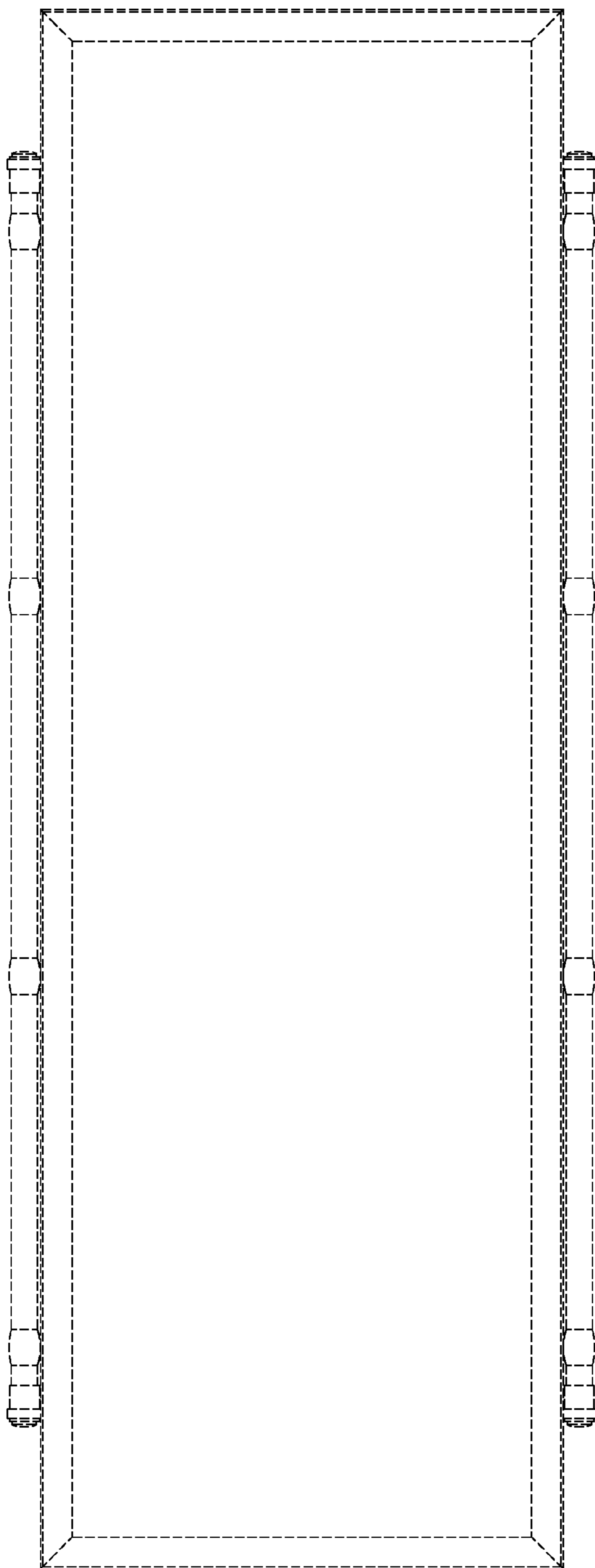


FIG. 5