



US00D620221S

(12) **United States Design Patent**
Giampavolo et al.

(10) **Patent No.:** **US D620,221 S**

(45) **Date of Patent:** **** Jul. 20, 2010**

(54) **PALLET GUARD TERMINATOR**

(75) Inventors: **Paul Giampavolo**, Newton, NJ (US);
Christopher M. Johnson, Glen Allen,
VA (US)

(73) Assignee: **Safe-Strap Company, Inc.**, Wharton, NJ
(US)

(**) Term: **14 Years**

(21) Appl. No.: **29/350,267**

(22) Filed: **Nov. 13, 2009**

(51) **LOC (9) Cl.** **09-08**

(52) **U.S. Cl.** **D34/38**

(58) **Field of Classification Search** D34/38;
108/53.1, 56.3, 57.26, 56.1, 51.11; 40/584
See application file for complete search history.

(56) **References Cited**

U.S. PATENT DOCUMENTS

3,724,398	A *	4/1973	Brennan	108/56.3
5,913,501	A *	6/1999	Heuss et al.	248/346.07
6,192,807	B1	2/2001	Mason		
6,234,086	B1	5/2001	Mason		
6,408,768	B1	6/2002	Giampavolo et al.		
6,408,770	B1	6/2002	Mason		
D460,850	S	7/2002	Giampavolo et al.		
6,516,730	B1	2/2003	Mason		
D520,709	S	5/2006	Giampavolo et al.		
D539,004	S	3/2007	Giampavolo		
D574,222	S *	8/2008	Golias et al.	D8/349
2004/0129185	A1 *	7/2004	Giampavolo et al.	108/51.11

* cited by examiner

Primary Examiner—Cynthia E Ramirez

(74) *Attorney, Agent, or Firm*—Weingarten, Schurgin,
Gagnebin & Lebovici LLP

(57) **CLAIM**

The ornamental design for a pallet guard terminator, as shown and described.

DESCRIPTION

FIG. 1 is a front elevation view of a pallet guard terminator showing our new design;

FIG. 2 is a front perspective view of the pallet guard terminator;

FIG. 3 is a top view of the pallet guard terminator;

FIG. 4 is a bottom view of the pallet guard terminator;

FIG. 5 is a right side elevation view of the pallet guard terminator;

FIG. 6 is a left side elevation view of the pallet guard terminator;

FIG. 7 is a rear elevation view of the pallet guard terminator;

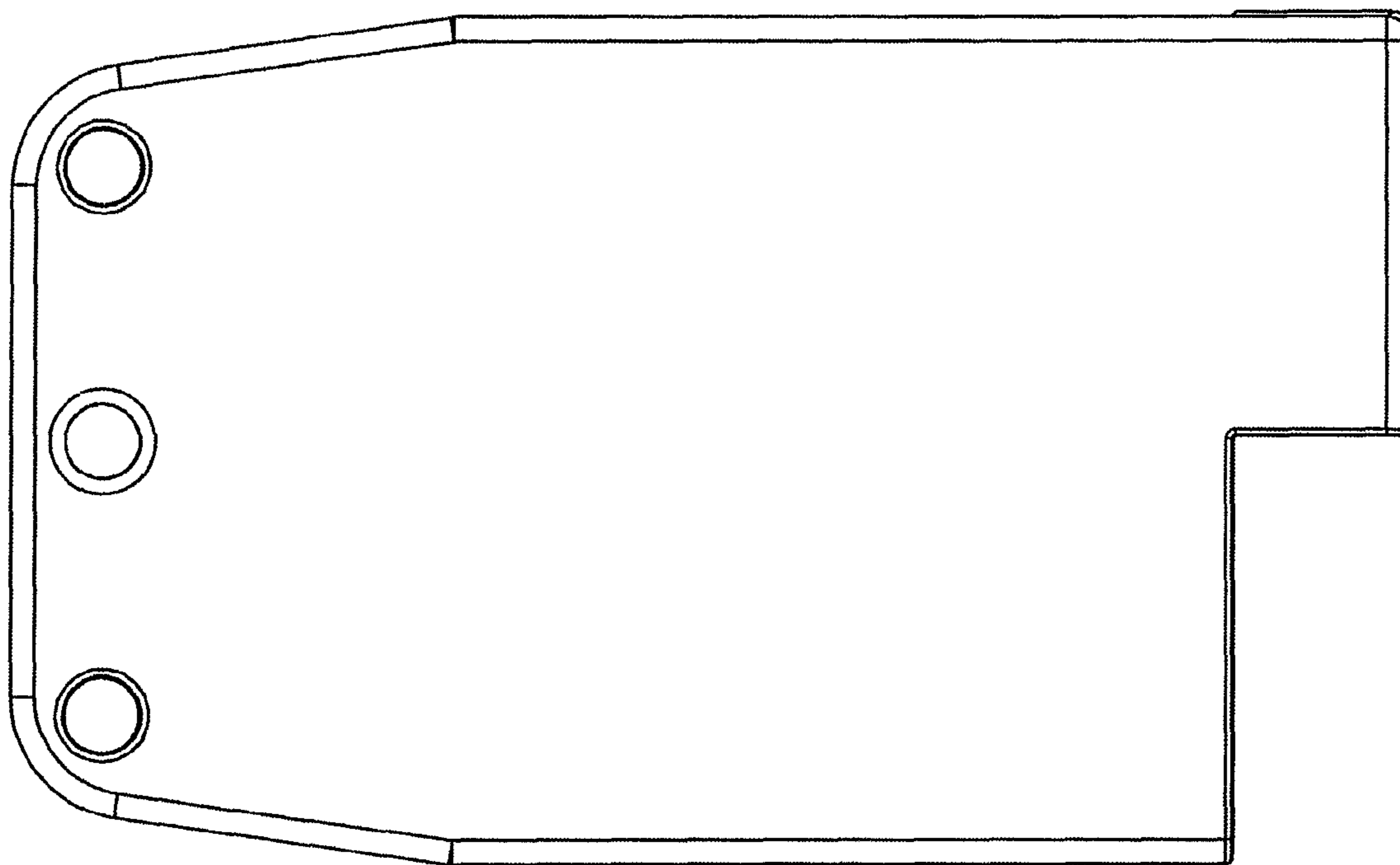
FIG. 8 is a rear perspective view of the pallet guard terminator;

FIG. 9 is a front perspective view of the pallet guard terminator shown in connection with a pallet guard; and,

FIG. 10 is another front perspective view of the pallet guard terminator shown in connection with a pallet guard section.

Broken lines showing other elements of a pallet guard are for illustrative purposes only and form no part of the claimed design.

1 Claim, 7 Drawing Sheets



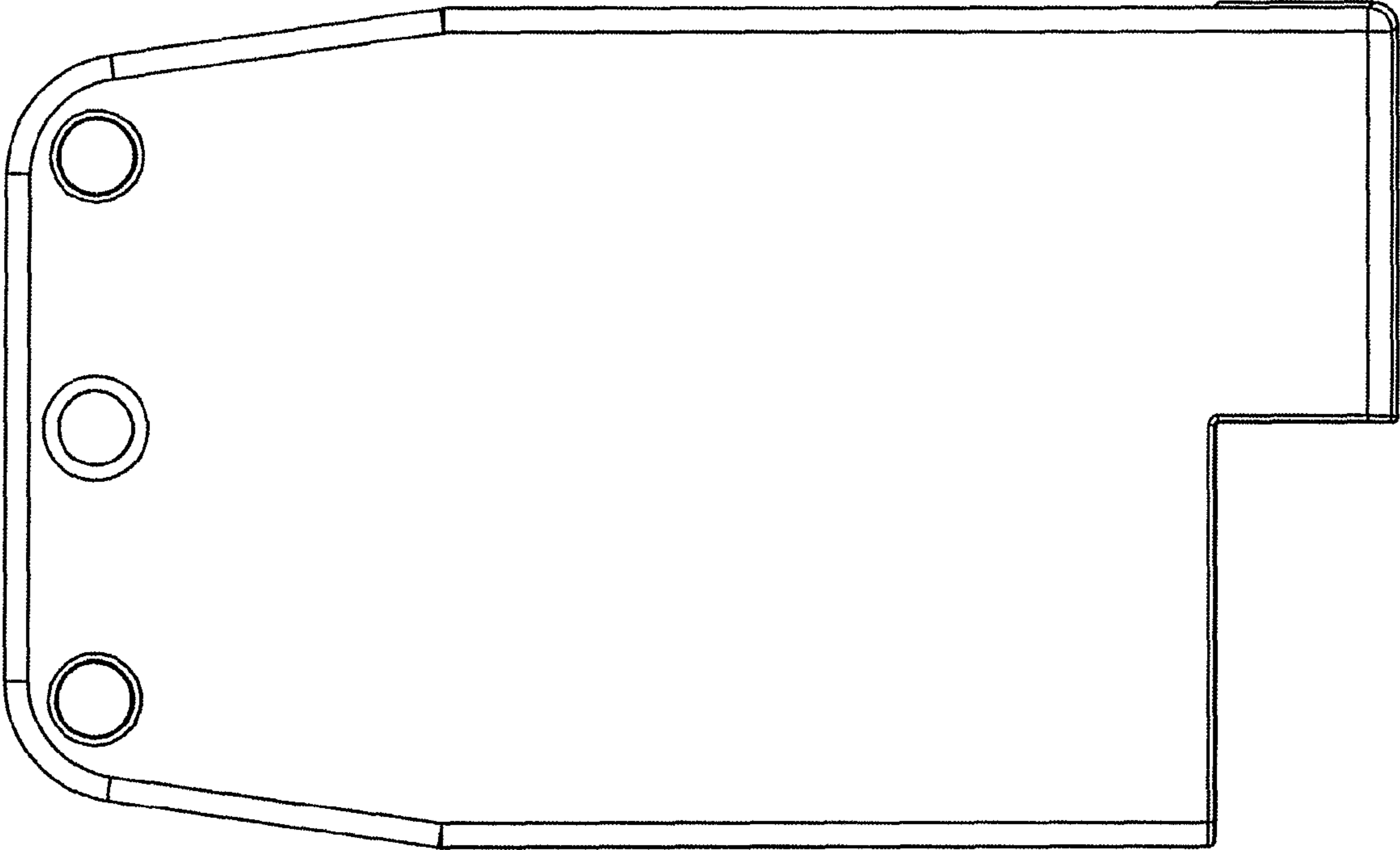


Fig. 1

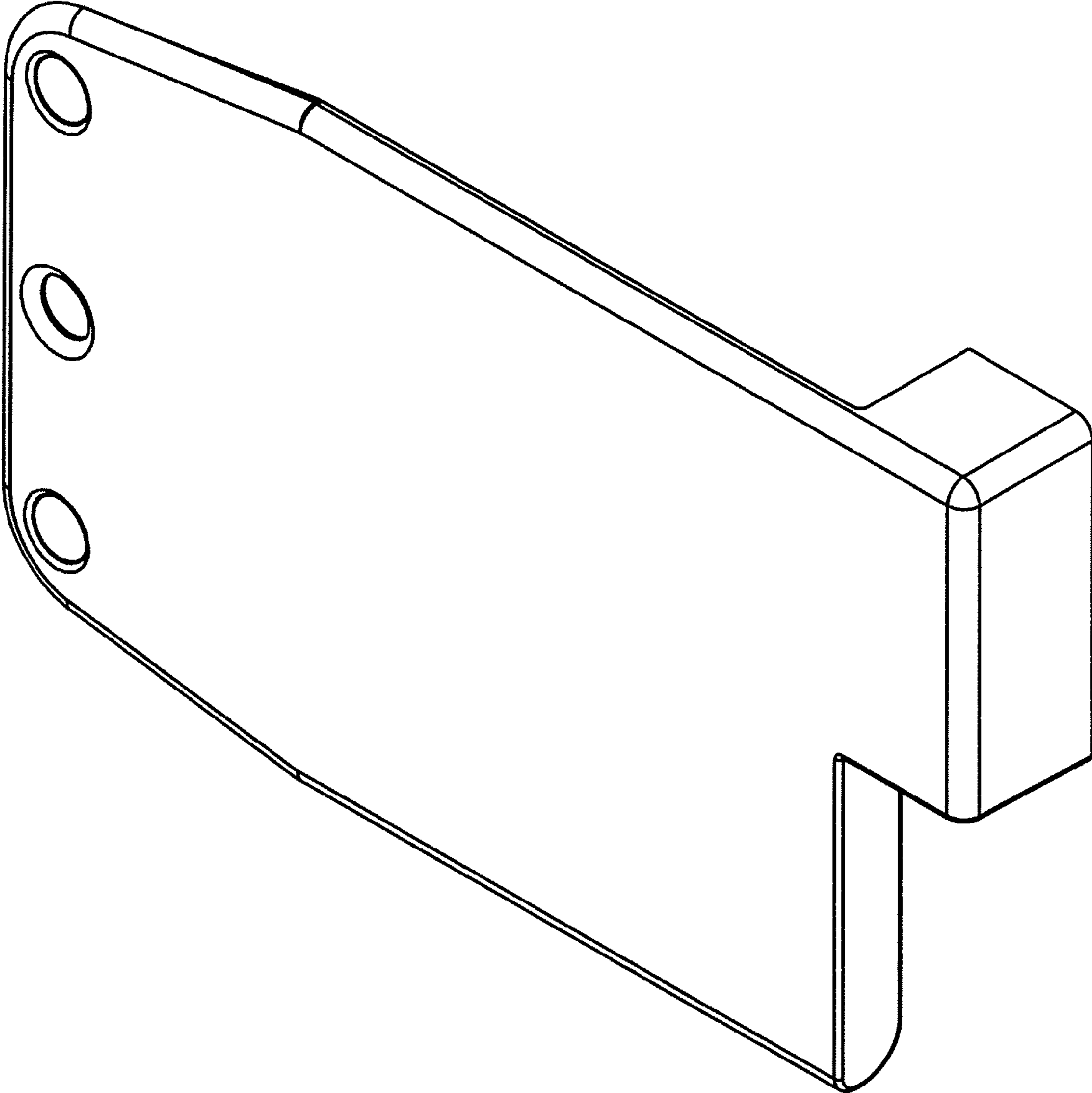


Fig. 2

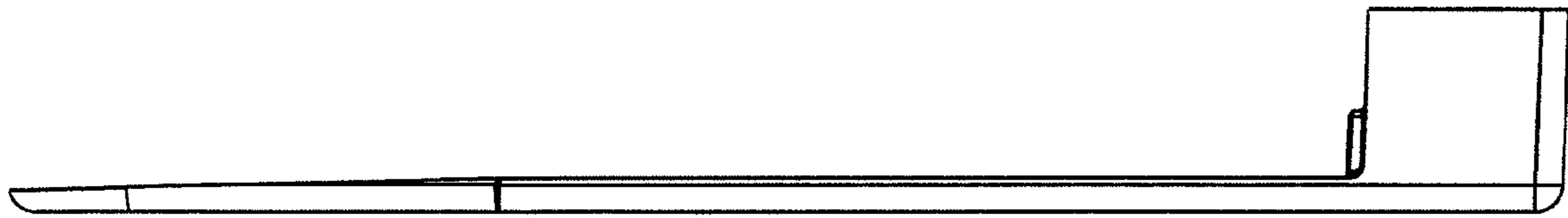


Fig. 3

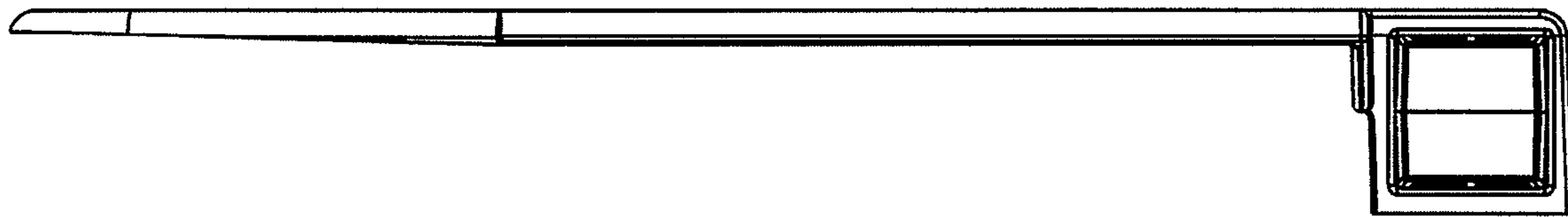


Fig. 4

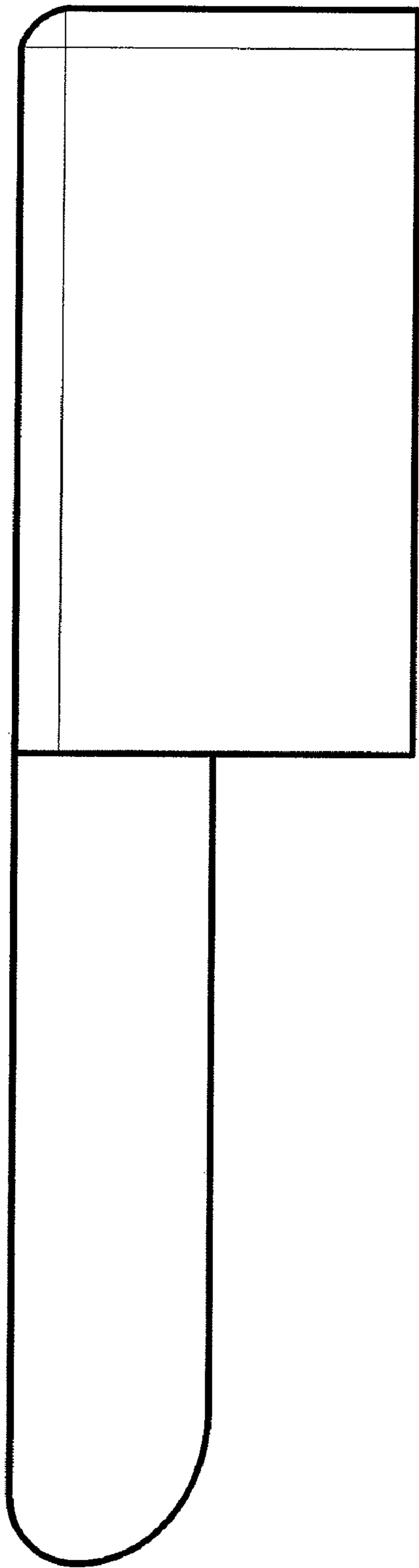


Fig. 5

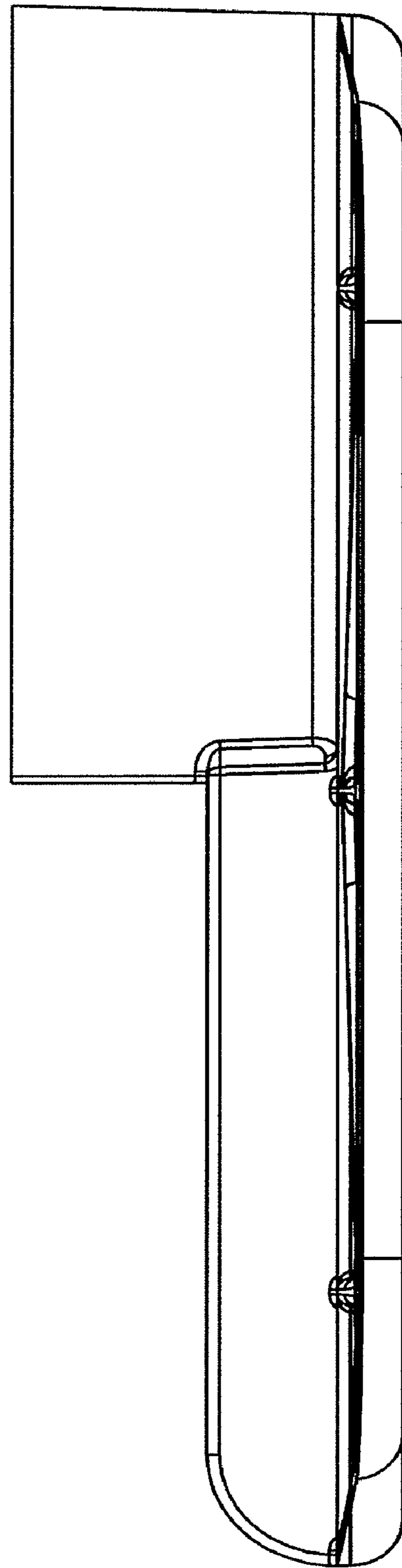


Fig. 6

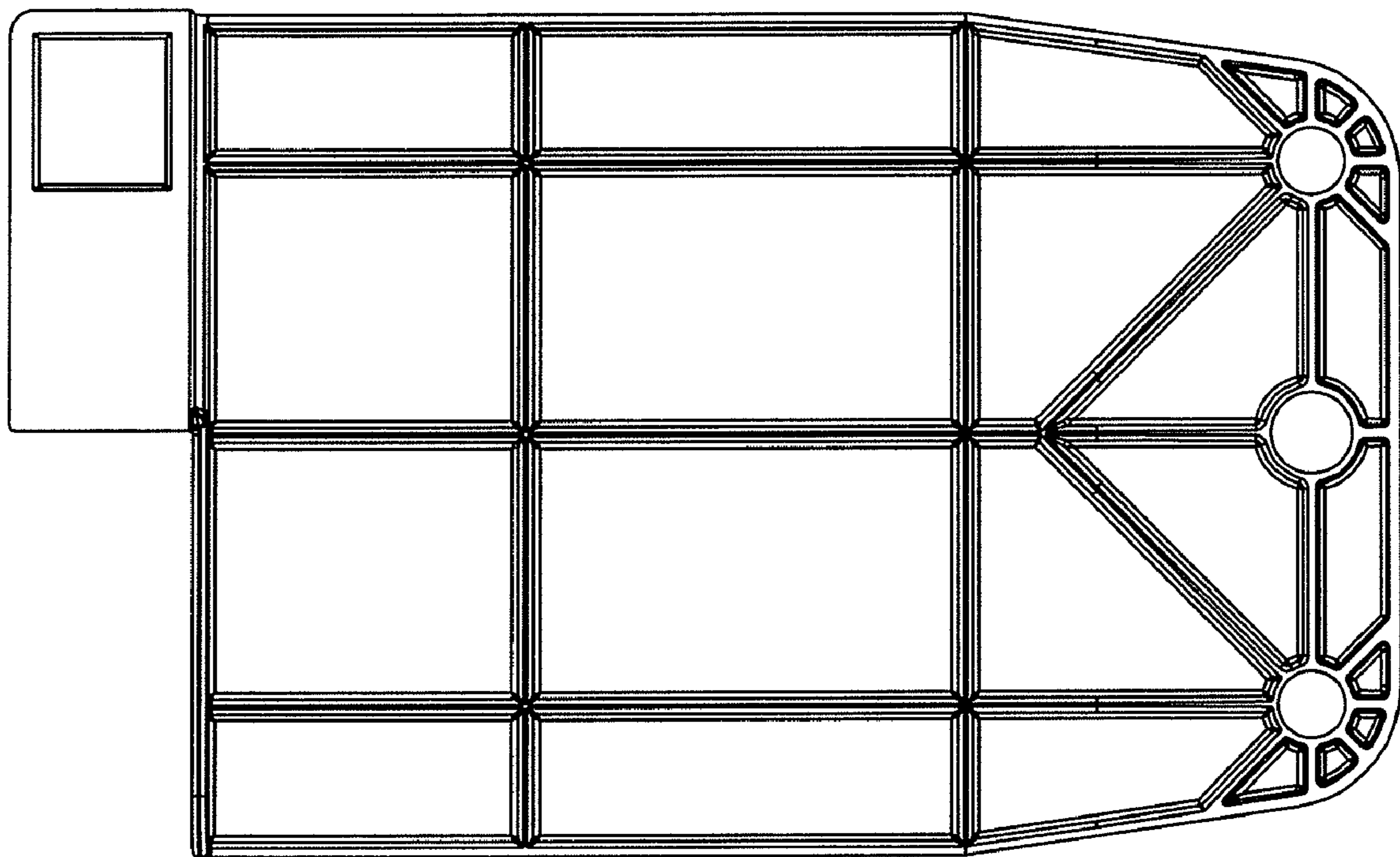


Fig. 7

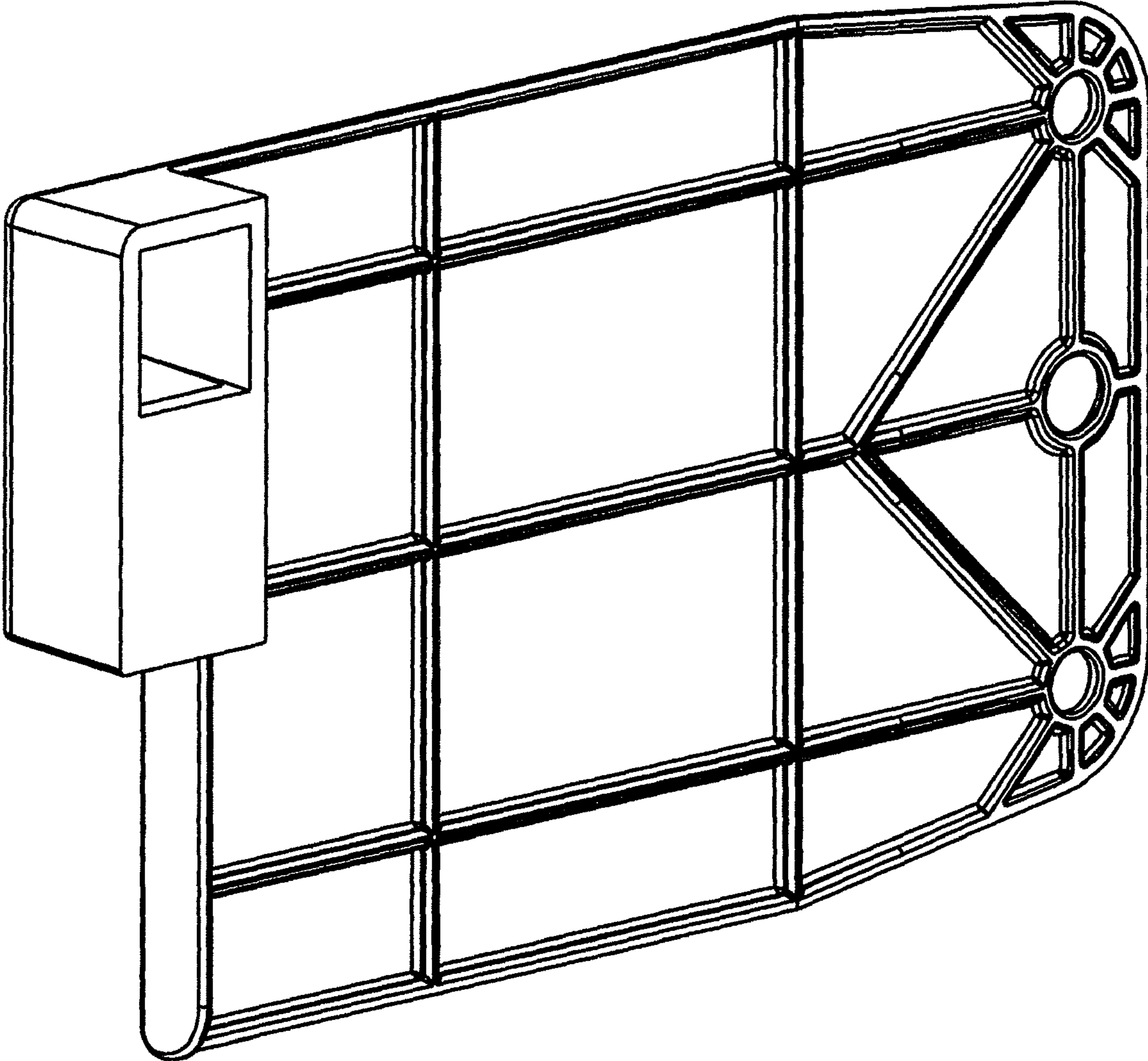


Fig. 8

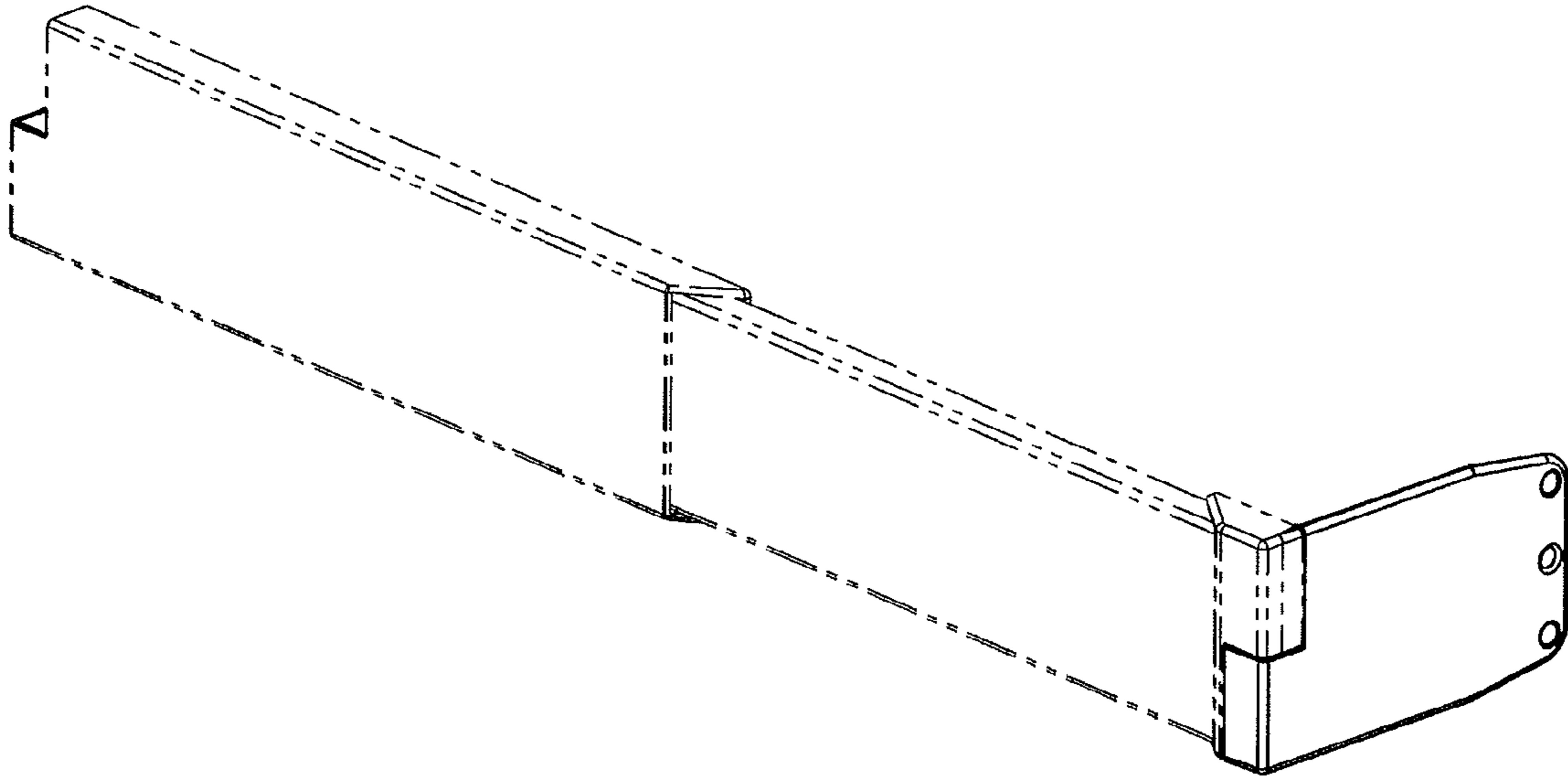


Fig. 9

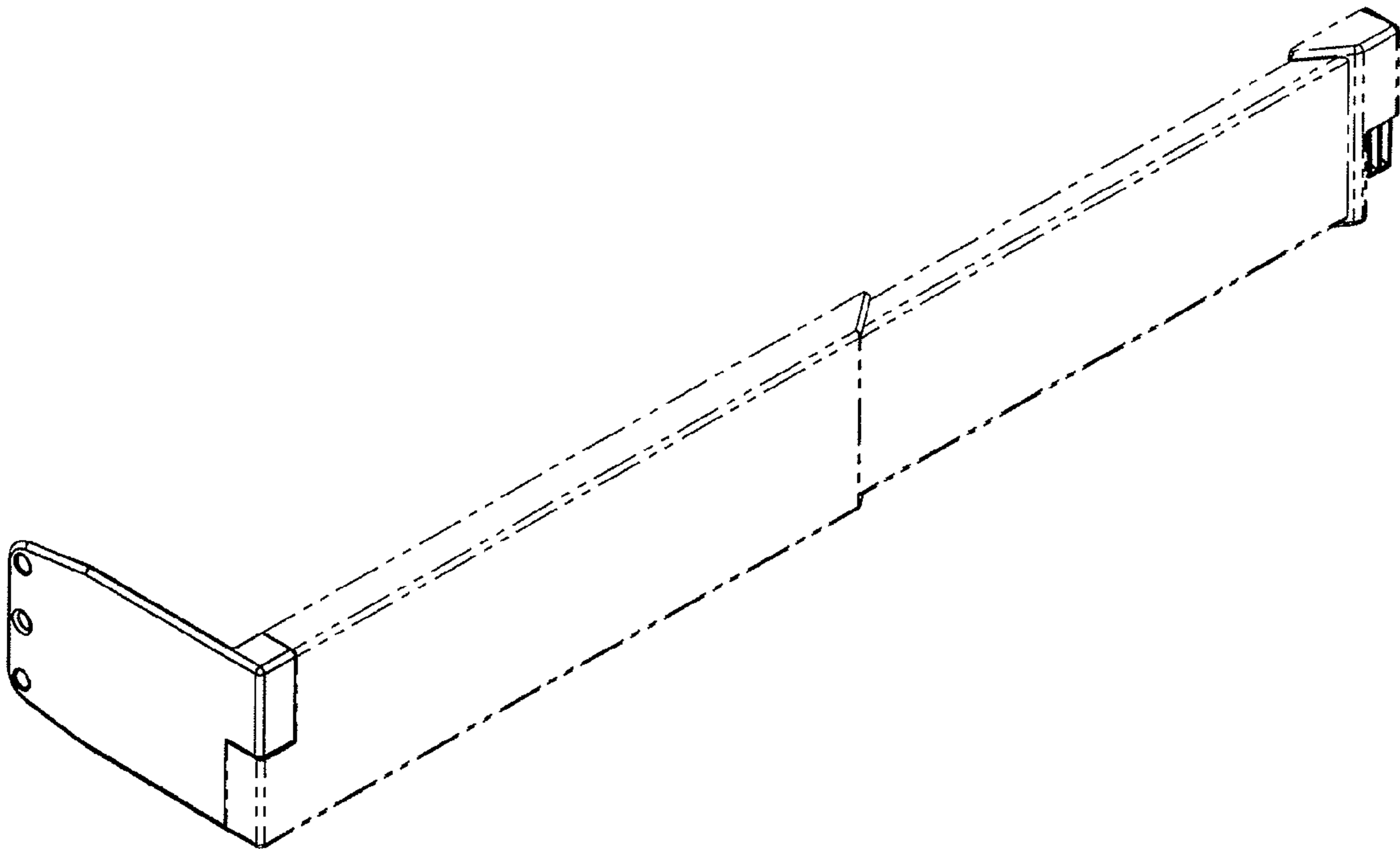


Fig. 10