



US00D620218S

(12) **United States Design Patent**
Larin

(10) **Patent No.:** **US D620,218 S**

(45) **Date of Patent:** **** Jul. 20, 2010**

(54) **TRASH CONTAINER**

(76) Inventor: **Benoit Larin**, 10, Anderson,
Salaberry-de-Valleyfield, Quebec (CA)
J6S 1X1

(**) Term: **14 Years**

(21) Appl. No.: **29/350,639**

(22) Filed: **Nov. 20, 2009**

(51) **LOC (9) Cl.** **09-09**

(52) **U.S. Cl.** **D34/1**

(58) **Field of Classification Search** D34/1;
220/908-913, 675, 669

See application file for complete search history.

(56) **References Cited**

U.S. PATENT DOCUMENTS

4,335,828	A *	6/1982	Robinson et al.	220/826
5,183,180	A *	2/1993	Hawkins et al.	294/68.1
5,967,361	A *	10/1999	Darnell	220/623
D459,849	S *	7/2002	Hogarth	D34/7

D517,265	S *	3/2006	Berres et al.	D34/3
D555,861	S *	11/2007	Larin	D34/1
D564,168	S *	3/2008	Larin	D34/3

* cited by examiner

Primary Examiner—Cynthia E Ramirez

(57) **CLAIM**

The ornamental design for a trash container, as shown and described.

DESCRIPTION

FIG. 1 is a perspective view of a trash container showing my new design.

FIG. 2 is a top view.

FIG. 3 is a bottom view

FIG. 4 is a front view.

FIG. 5 is a rear view; and,

FIG. 6 is a side view, the other side being a mirror image.

1 Claim, 6 Drawing Sheets

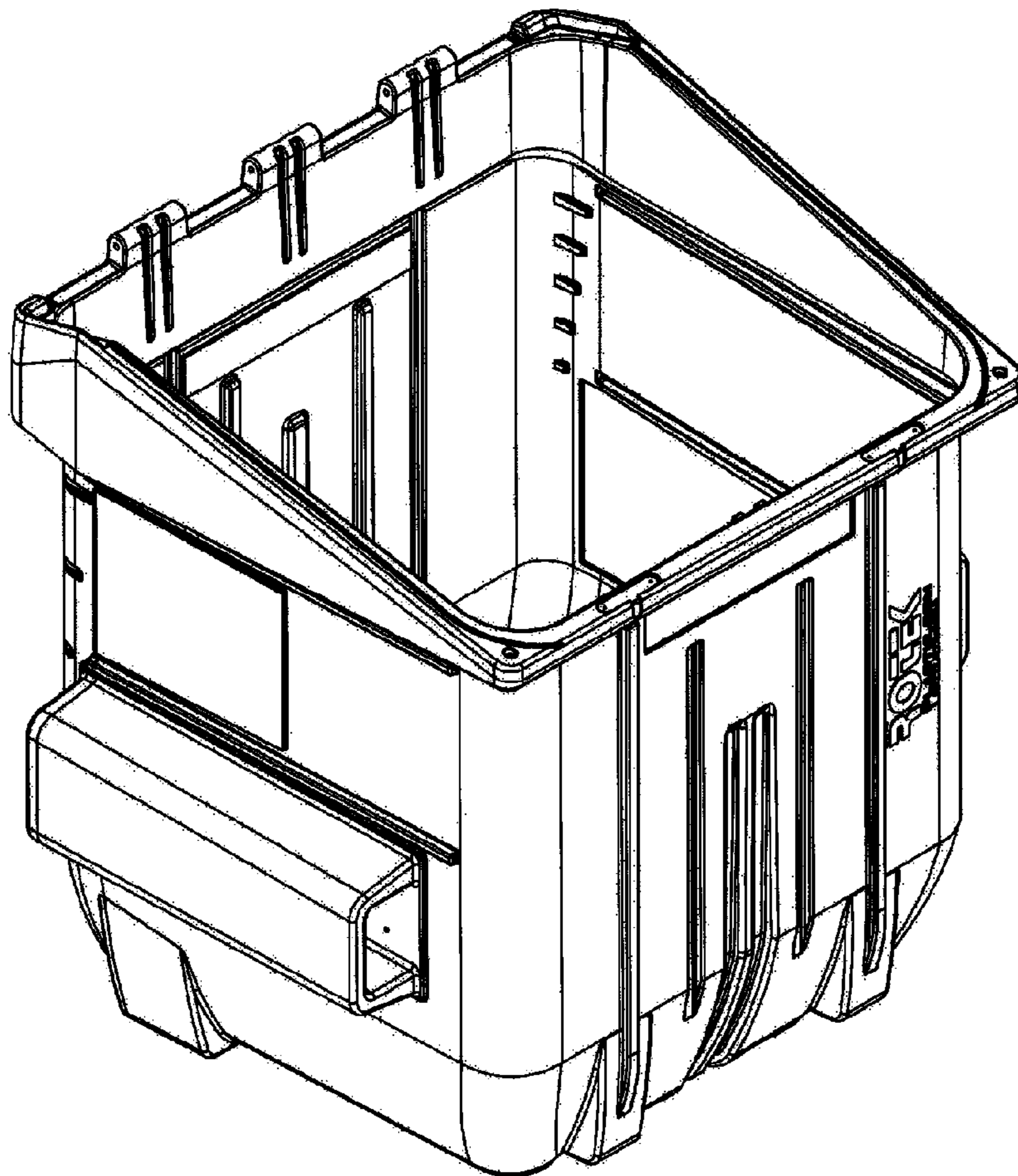


FIG. 1

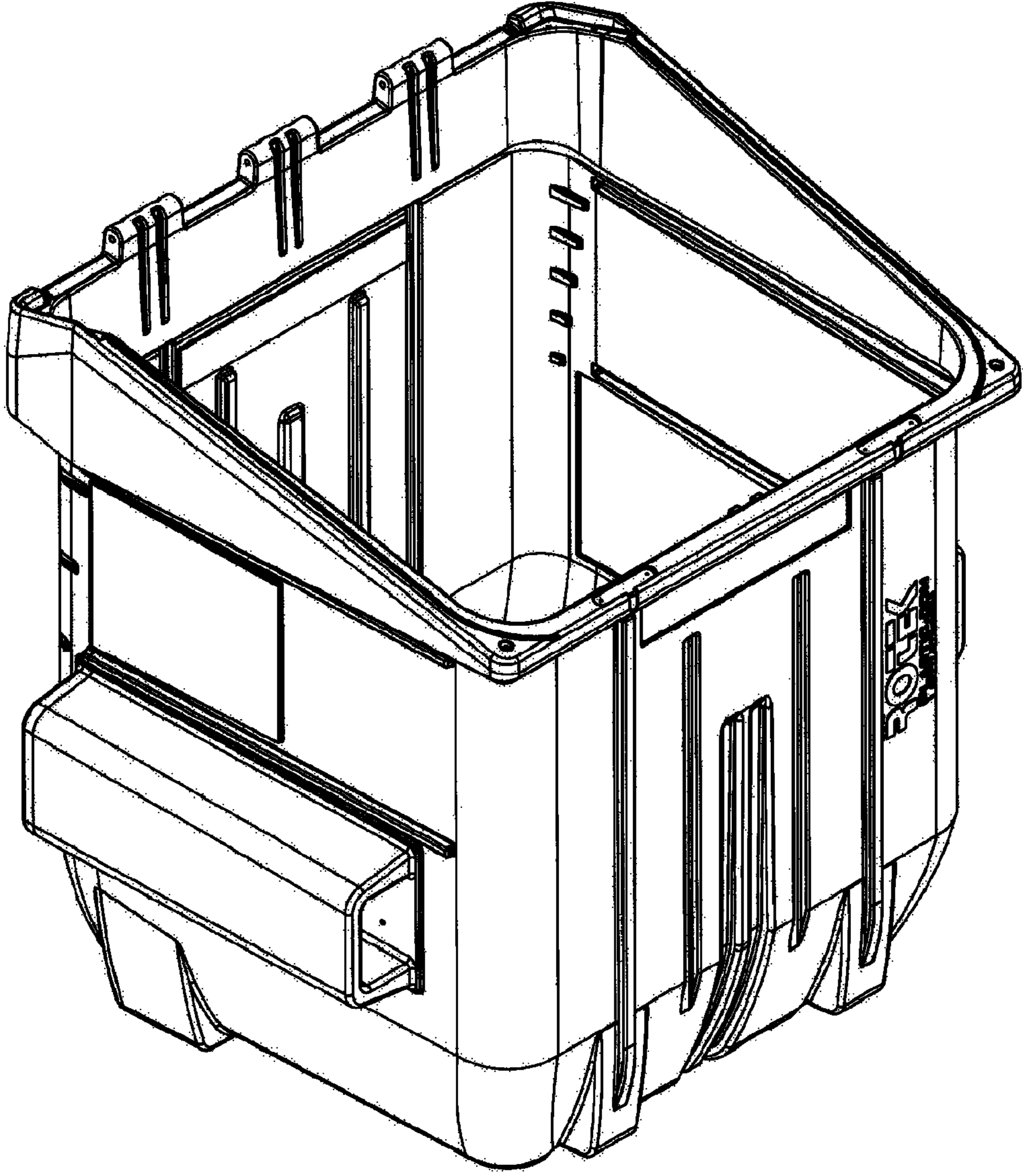


FIG. 2

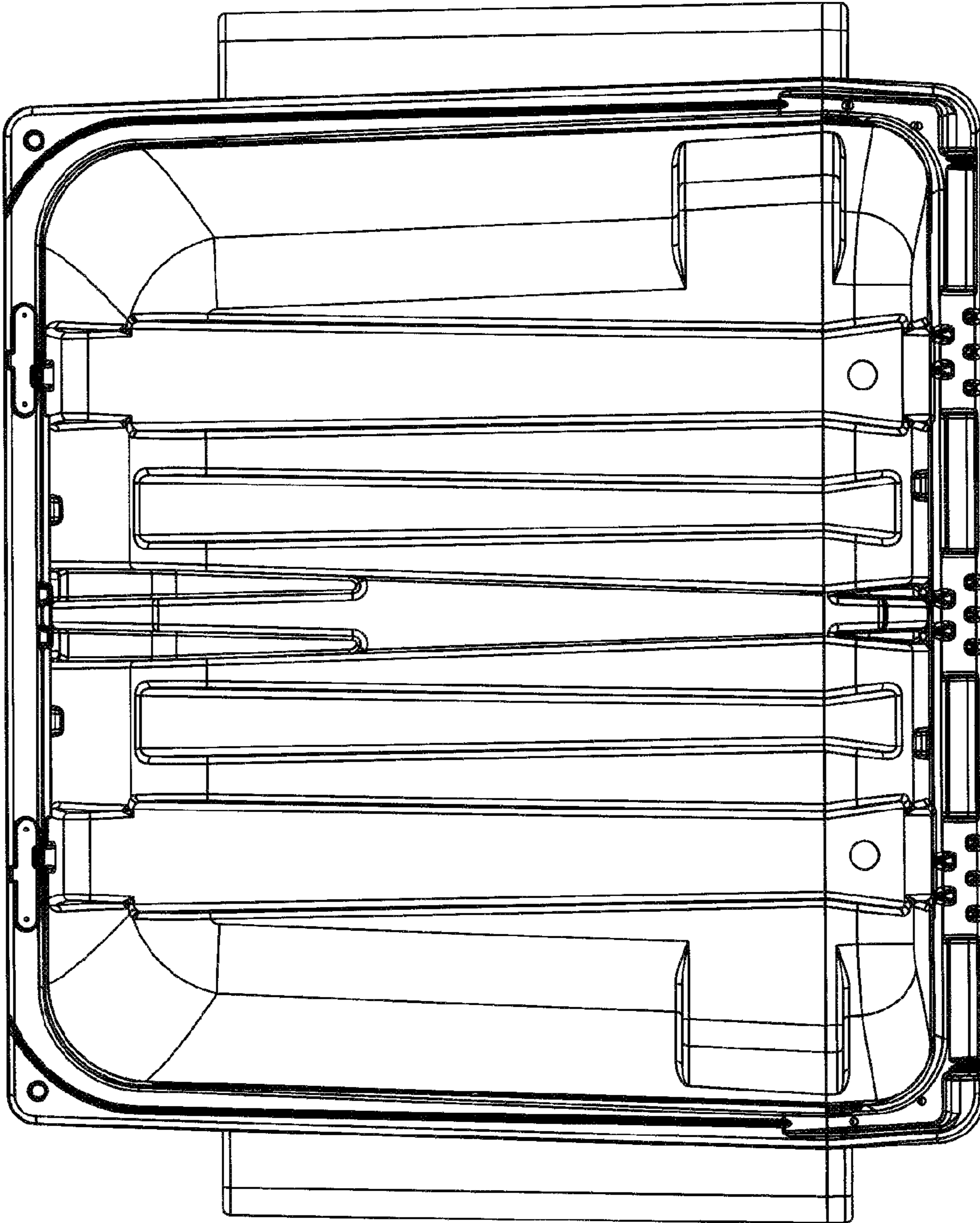


FIG. 3

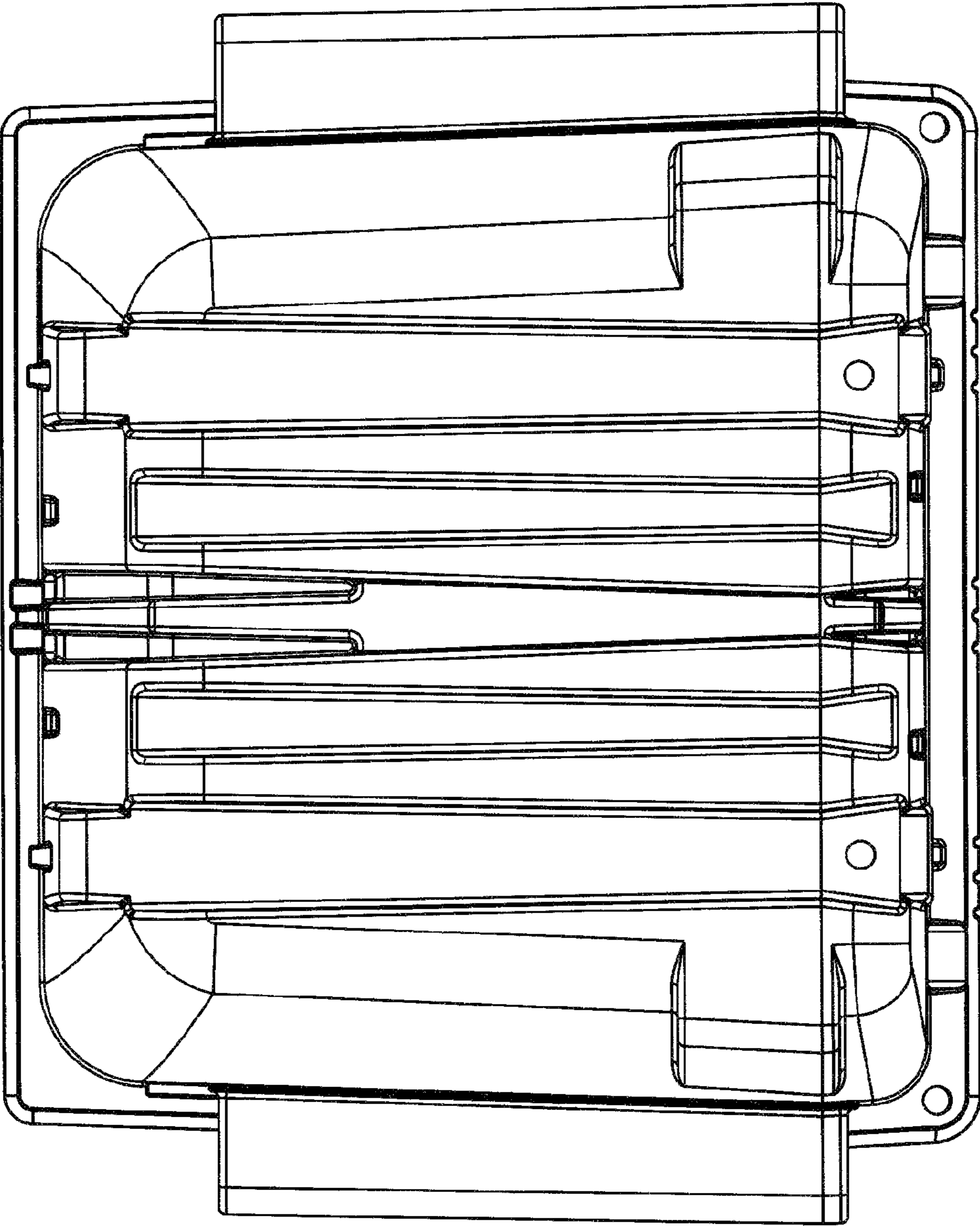


FIG. 4

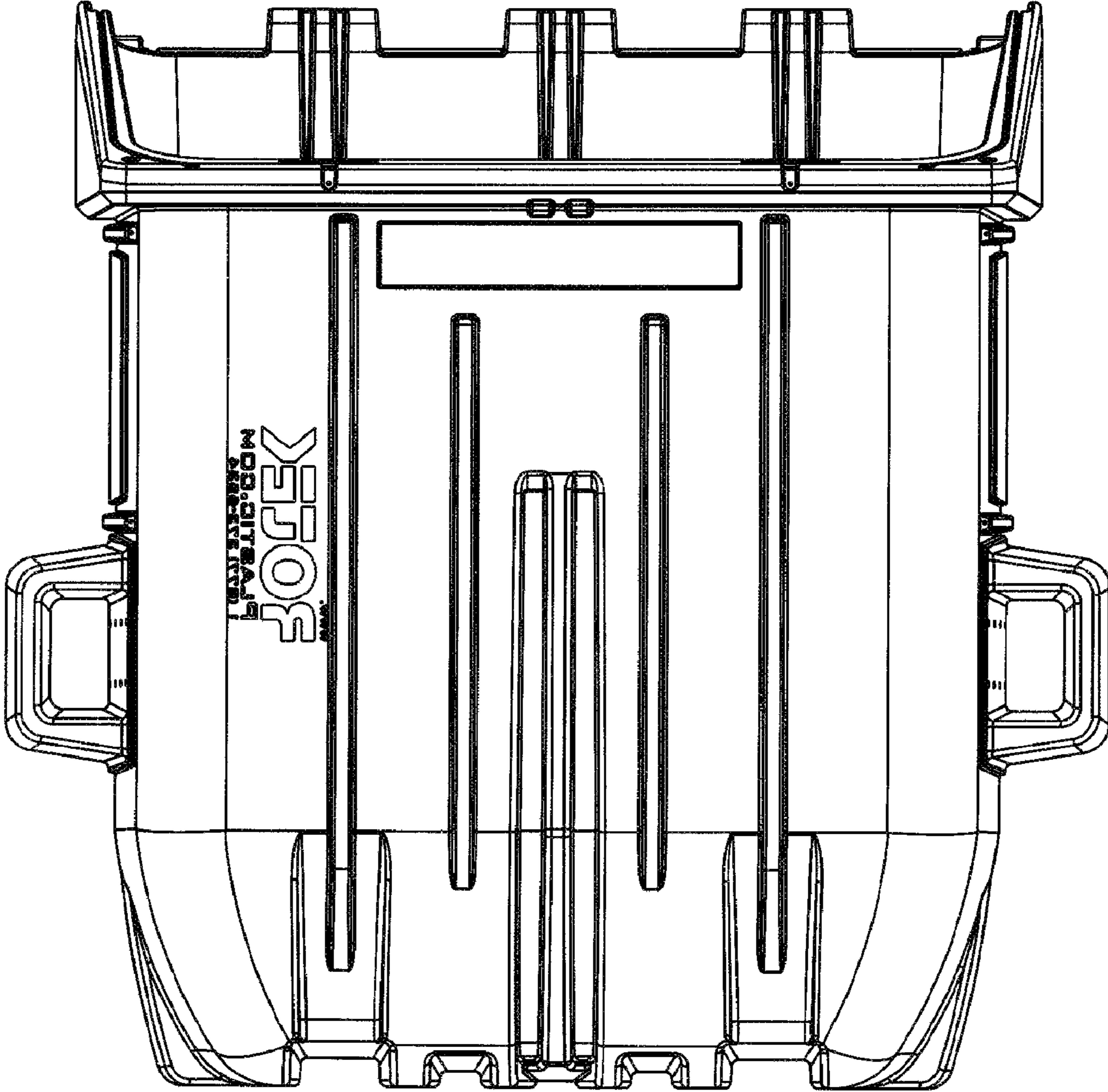


FIG. 5

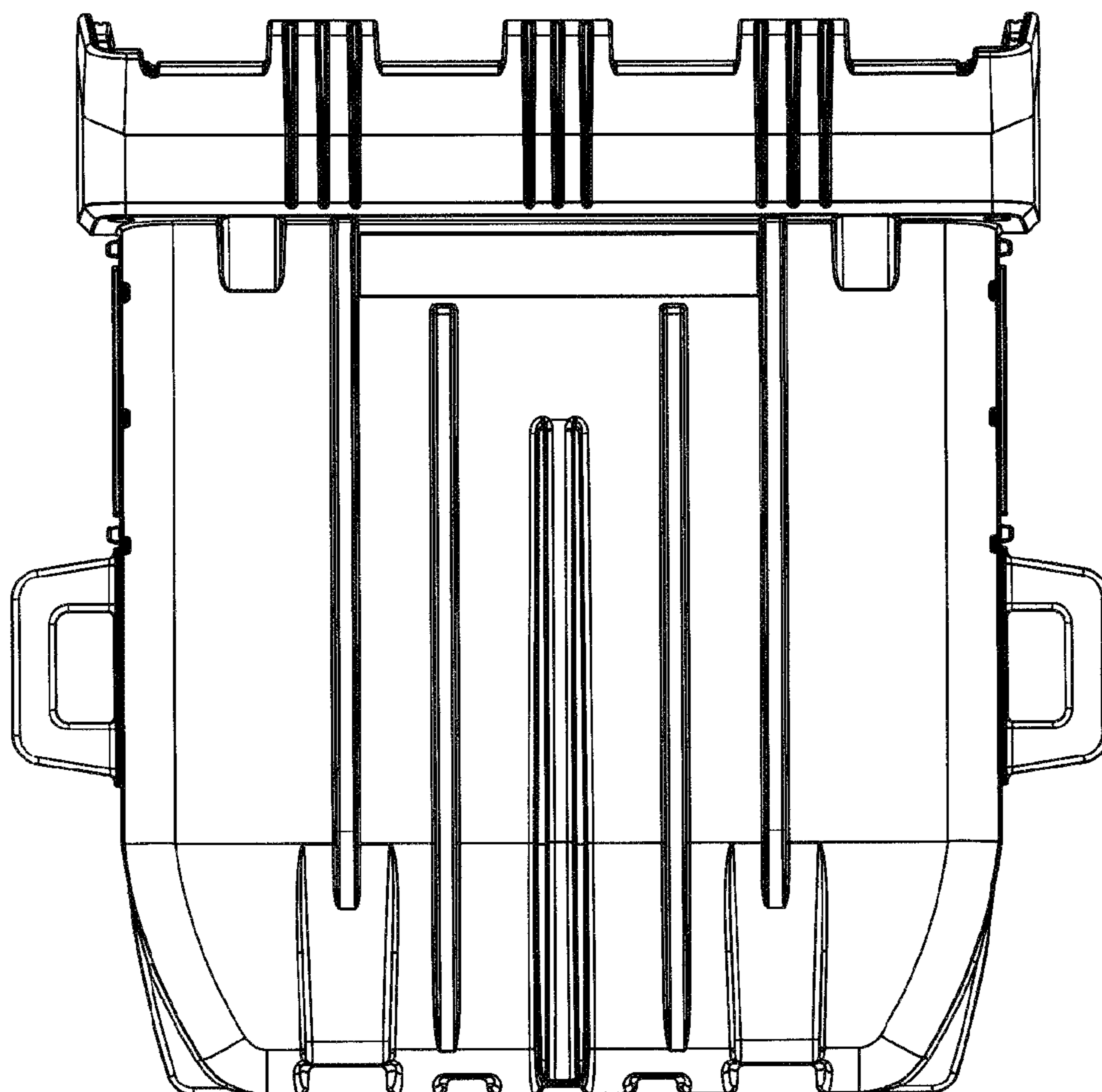


FIG. 6

