



US00D620214S

(12) **United States Design Patent**
Clemen

(10) **Patent No.:** **US D620,214 S**

(45) **Date of Patent:** **** Jul. 20, 2010**

(54) **HEAD FOR CLEANING BRUSHWARE**

(75) Inventor: **Hans Joerg Clemen**, Heidelberg (DE)

(73) Assignee: **Carl Freudenberg KG**, Weinheim (DE)

(**) Term: **14 Years**

(21) Appl. No.: **29/350,956**

(22) Filed: **Nov. 25, 2009**

(30) **Foreign Application Priority Data**

Jun. 9, 2009 (EM) 001541624-0001

(51) **LOC (9) Cl.** **04-01**

(52) **U.S. Cl.** **D32/50**

(58) **Field of Classification Search** D4/199;
D32/40, 50, 51; 15/147.1, 147.2, 228, 229.1-229.4,
15/229.6-228.8

See application file for complete search history.

(56) **References Cited**

U.S. PATENT DOCUMENTS

2,877,478	A *	3/1959	Klafter et al.	15/119.2
3,792,505	A *	2/1974	Saltzstein	15/231
4,580,307	A *	4/1986	Moss	15/147.1
D406,932	S *	3/1999	Hodges	D32/50
D423,157	S *	4/2000	Hodges	D32/40
D455,878	S *	4/2002	Debreczeni	D32/50
D476,123	S *	6/2003	Debreczeni	D32/50

* cited by examiner

Primary Examiner—Nanda Bondade

(74) *Attorney, Agent, or Firm*—Leydig, Voit & Mayer, Ltd.

(57) **CLAIM**

The ornamental design for a head for cleaning brushware, as shown and described.

DESCRIPTION

FIG. 1 is a perspective view taken from the top, front, and right side of a head for cleaning brushware showing our new design;

FIG. 2 is a top plan view of the head for cleaning brushware shown in FIG. 1;

FIG. 3 is a bottom view of the head for cleaning brushware shown in FIG. 1;

FIG. 4 is a front elevational view of the head for cleaning brushware shown in FIG. 1;

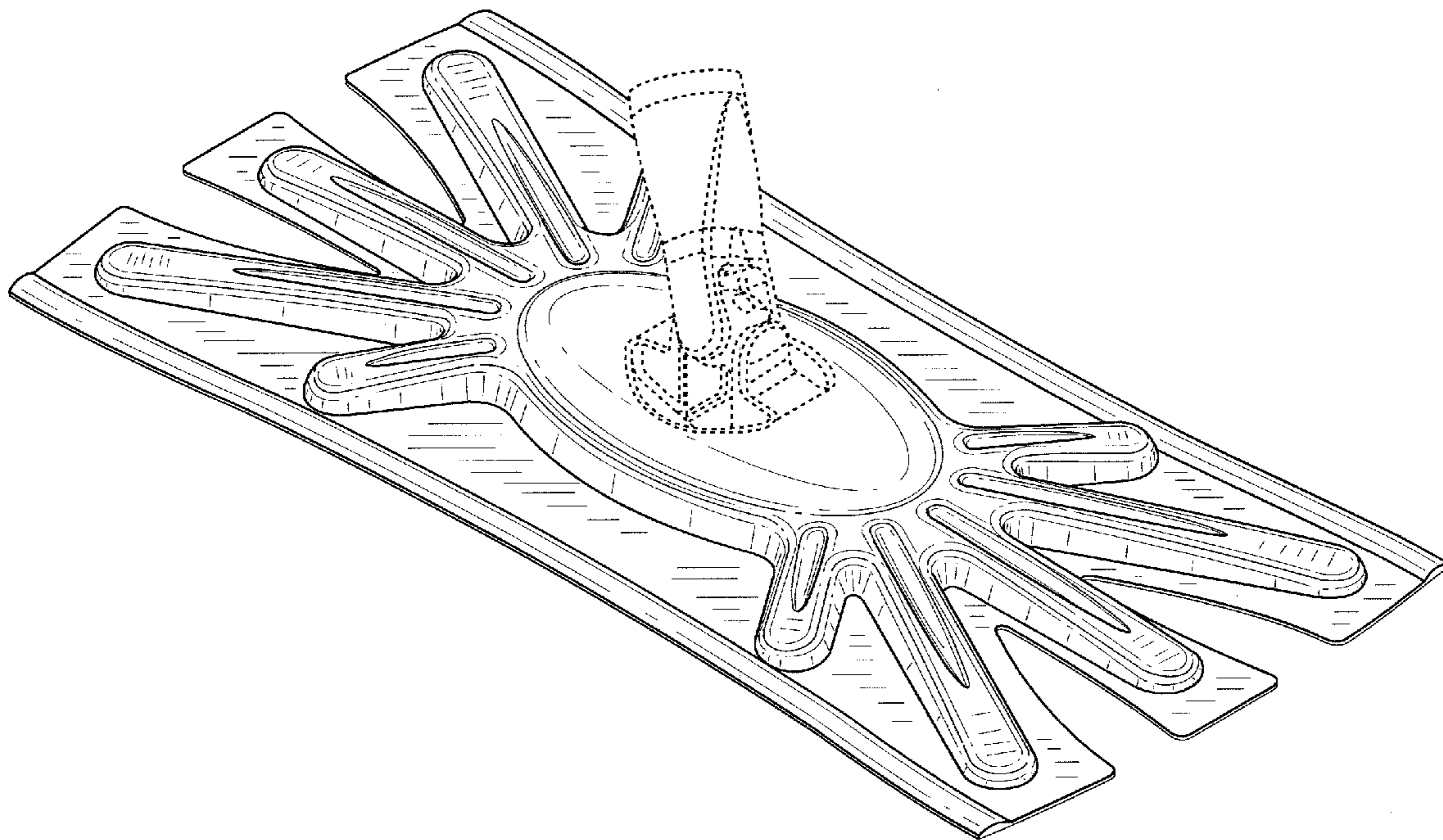
FIG. 5 is a rear elevational view of the head for cleaning brushware shown in FIG. 1;

FIG. 6 is a left elevational side view of the head for cleaning brushware shown in FIG. 1; and,

FIG. 7 is a right elevational side view of the head for cleaning brushware shown in FIG. 1.

The broken lines are for illustration purposes only and form no part of the claimed design.

1 Claim, 5 Drawing Sheets



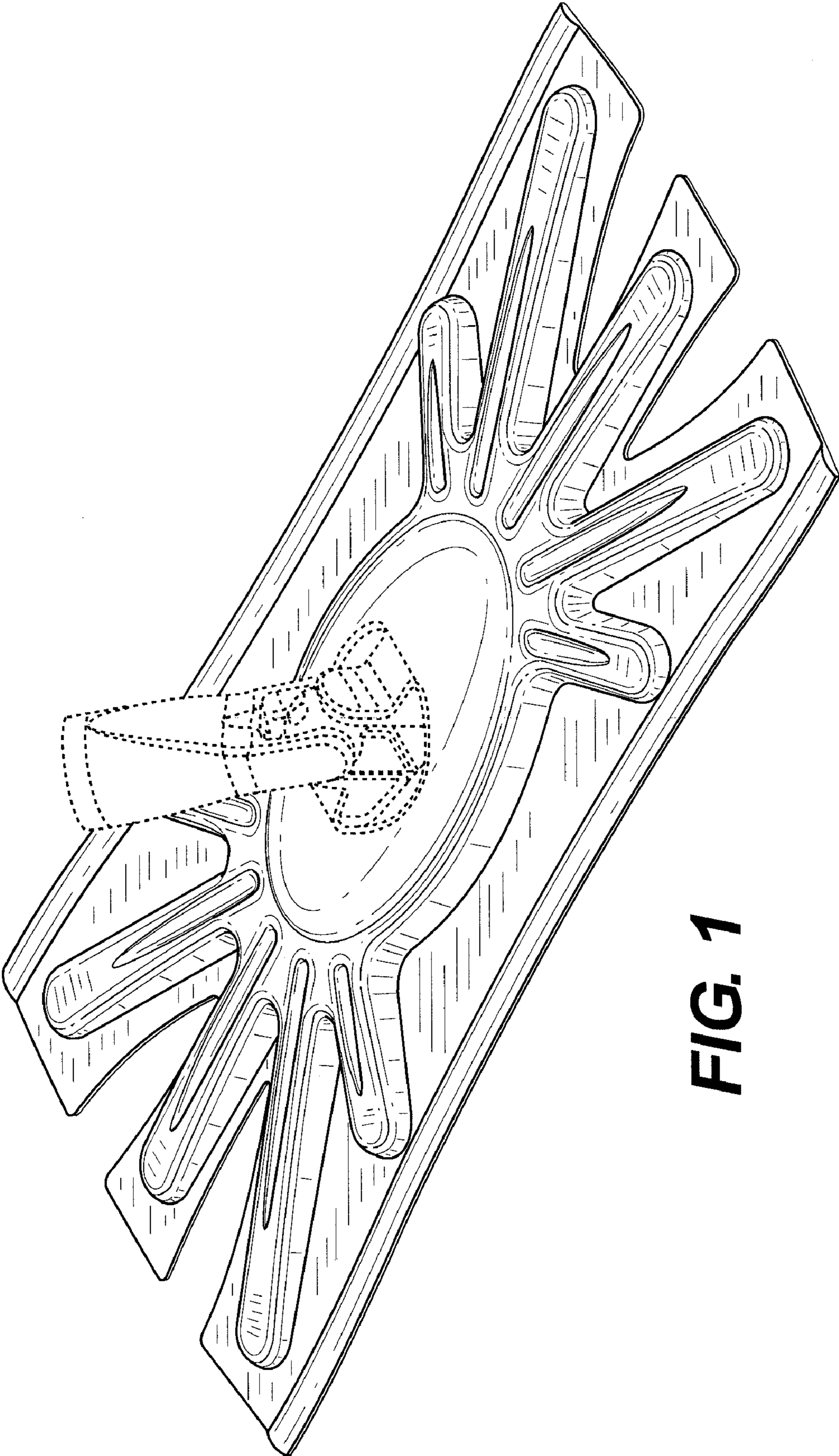


FIG. 1

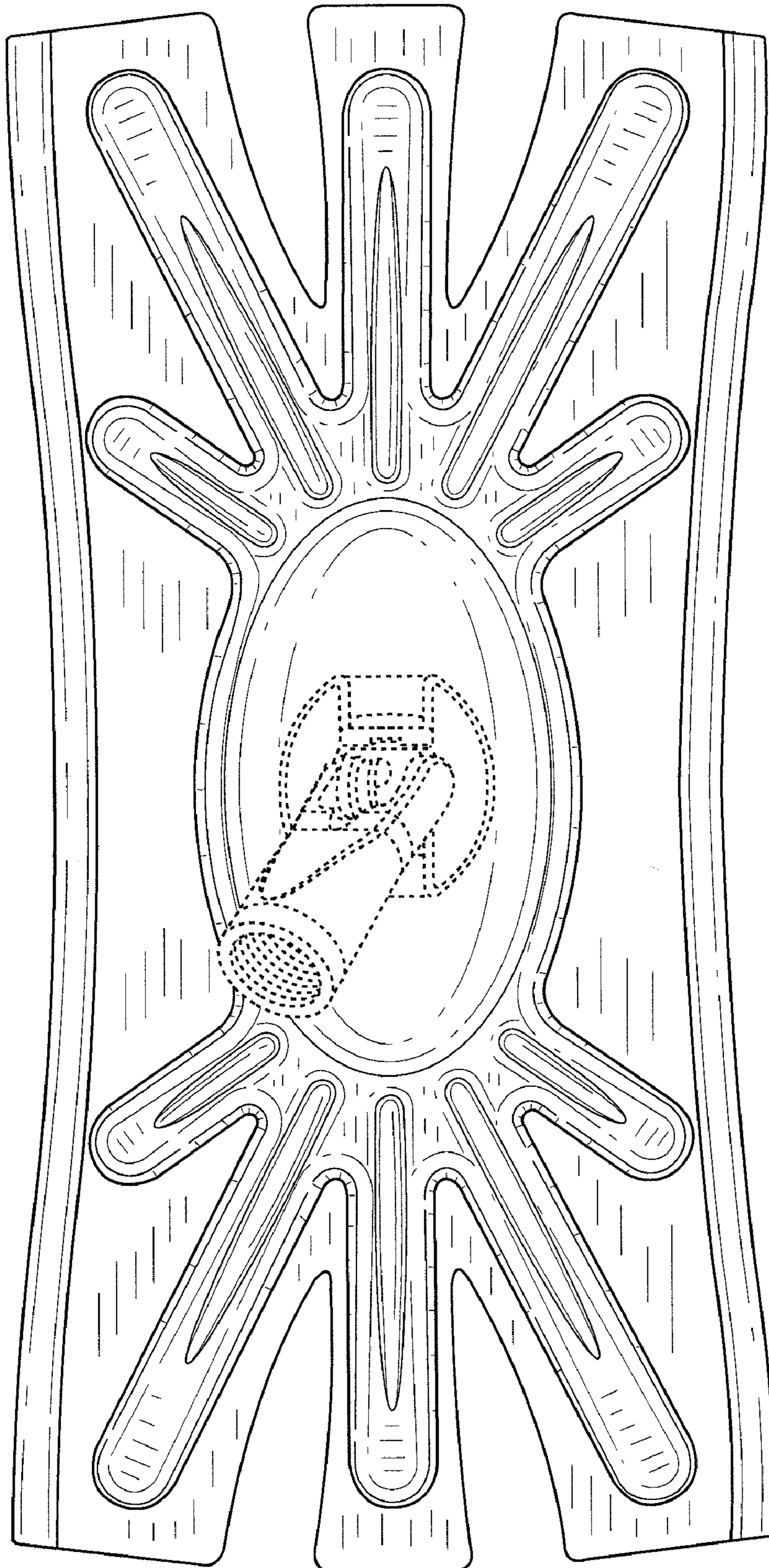


FIG. 2

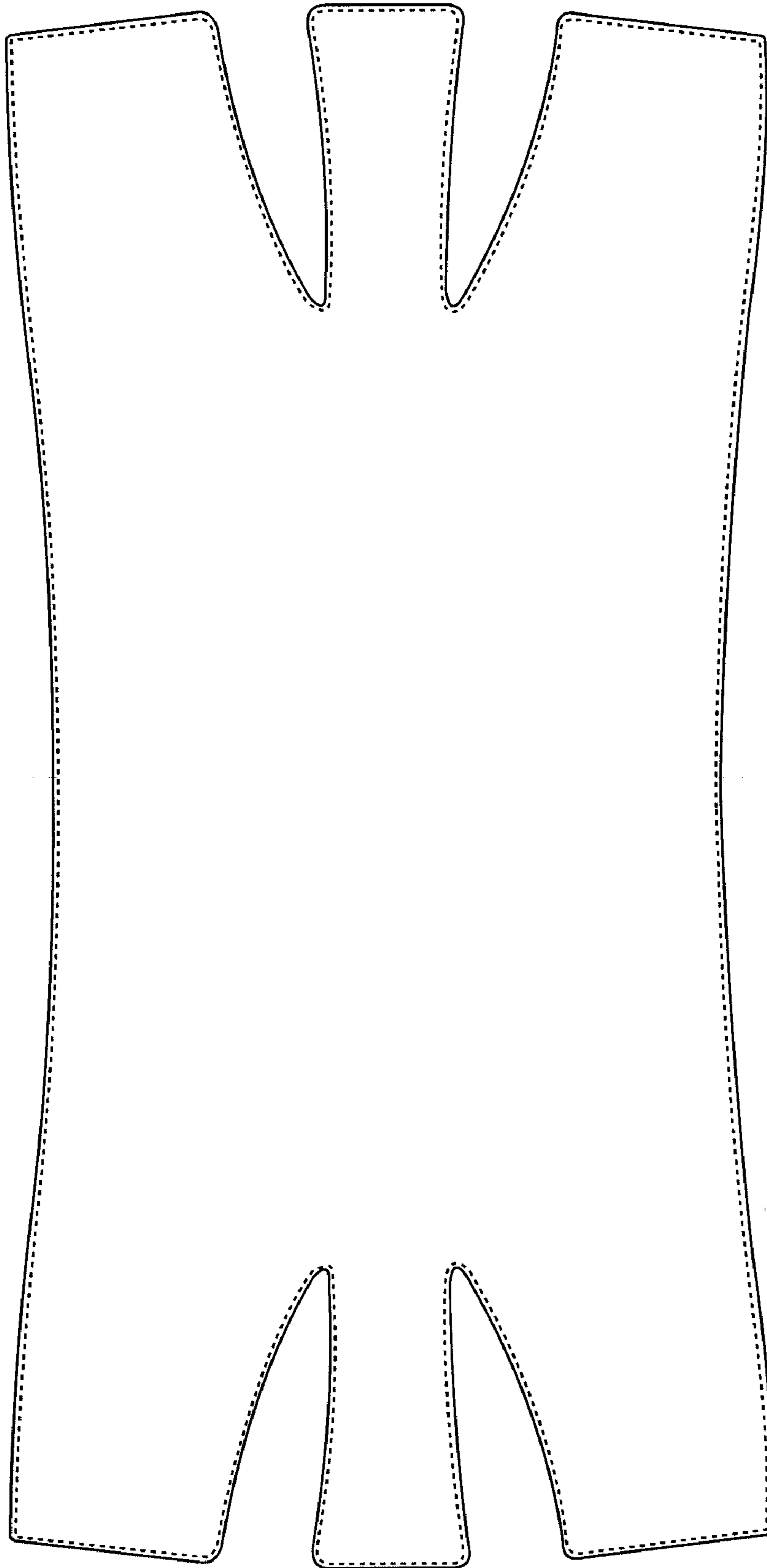


FIG. 3

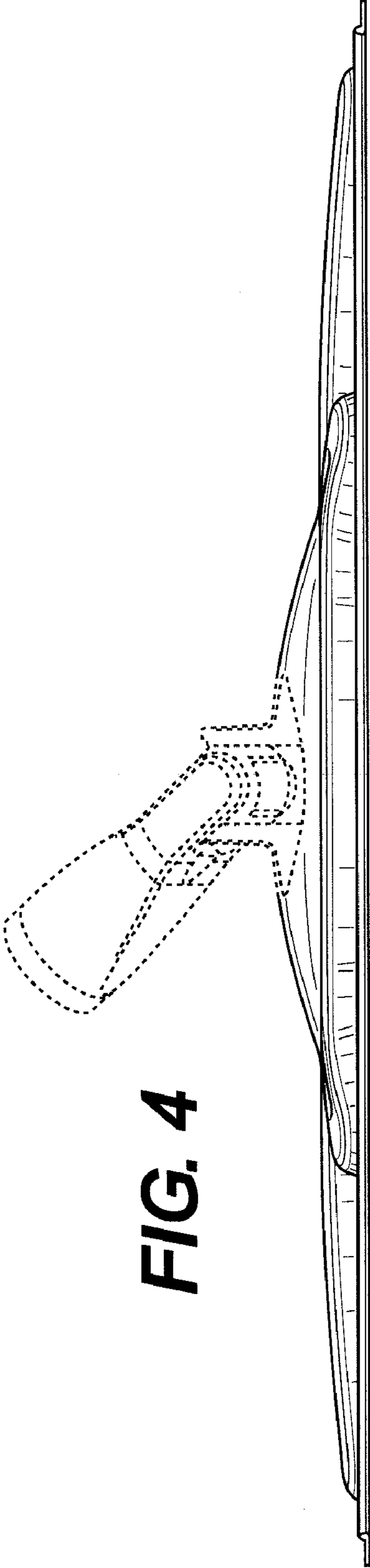


FIG. 4

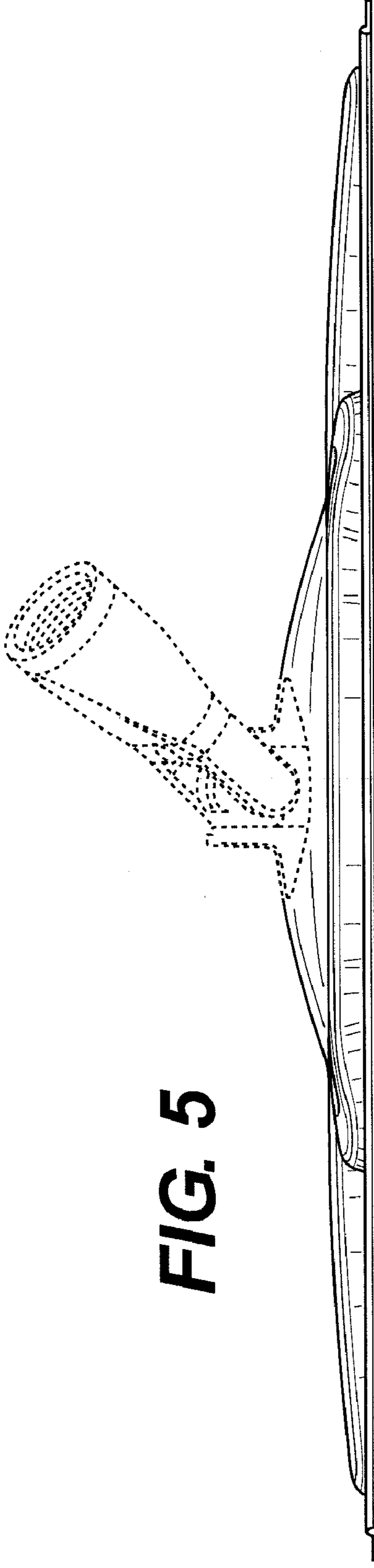


FIG. 5

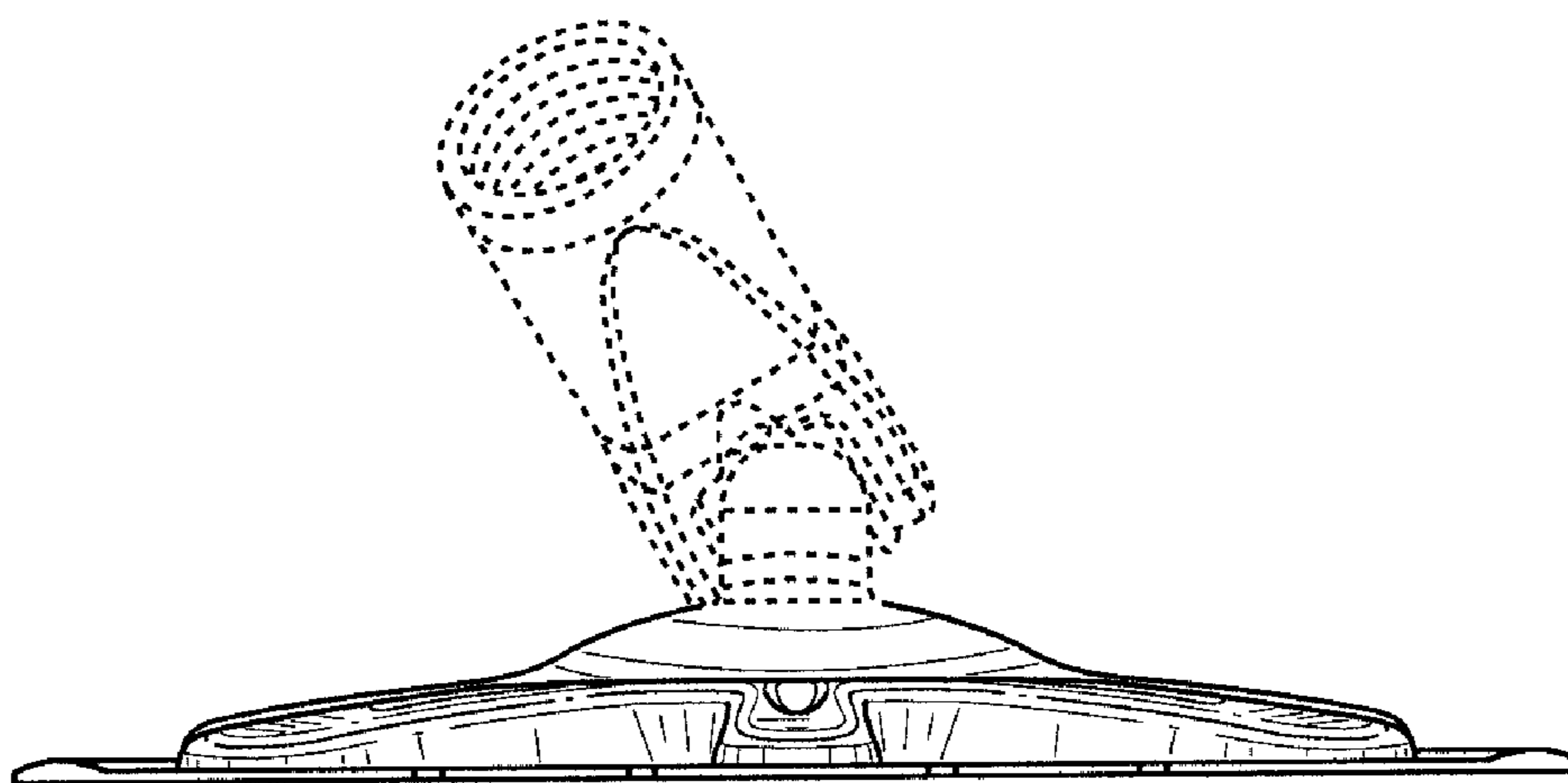


FIG. 6

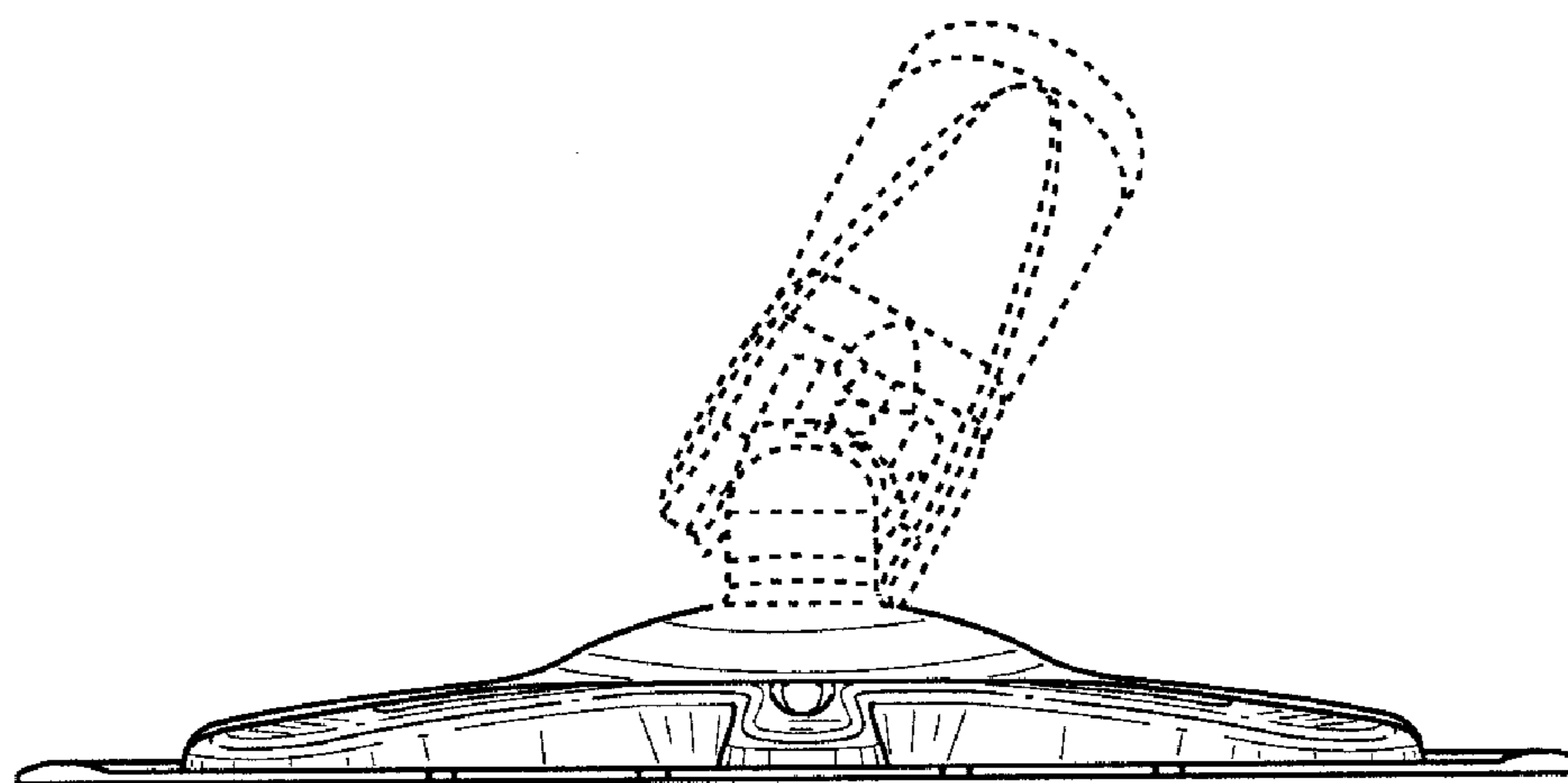


FIG. 7