



US00D620213S

(12) **United States Design Patent**
Bixby et al.

(10) **Patent No.:** **US D620,213 S**
(45) **Date of Patent:** **** Jul. 20, 2010**

(54) **WASHER DISPENSER**

(75) Inventors: **Seth E. Bixby**, Benton Harbor, MI (US);
Jeffrey M. Browne, Benton Harbor, MI (US); **Richard K. Gresens**, Benton Harbor, MI (US)

(73) Assignee: **Whirlpool Corporation**, Benton Harbor, MI (US)

(**) Term: **14 Years**

(21) Appl. No.: **29/352,966**

(22) Filed: **Dec. 30, 2009**

(51) **LOC (9) Cl.** **15-05**

(52) **U.S. Cl.** **D32/25**

(58) **Field of Classification Search** D32/6,
D32/8, 5, 10, 1, 9, 25; 68/3 R, 5 R, 12.01,
68/212; 34/523-524

See application file for complete search history.

(56) **References Cited**

U.S. PATENT DOCUMENTS

D232,187 S *	7/1974	McCollum	D32/25
D412,378 S *	7/1999	Richardson	D32/25
D489,500 S *	5/2004	Sneddon	D32/25

* cited by examiner

Primary Examiner—T. Chase Nelson
Assistant Examiner—Kathleen M Sims

(74) *Attorney, Agent, or Firm*—Tara M. Hartman; Barnes & Thornburg, LLP

(57) **CLAIM**

We claim the ornamental design for a washer dispenser, as shown and described.

DESCRIPTION

Cross-reference is made to co-pending U.S. Design patent application Ser. No. 29/352,963 entitled Dryer Console; U.S. Design patent application Ser. No. 29/352,960 entitled Washer Door; U.S. Design patent application Ser. No. 29/352,961 entitled Dryer Door; and U.S. patent application Ser. No. 29/352,965 entitled Washer Console; each of which is assigned to the same assignee as the present application, each of which is filed concurrently herewith, and each of which is hereby incorporated by reference.

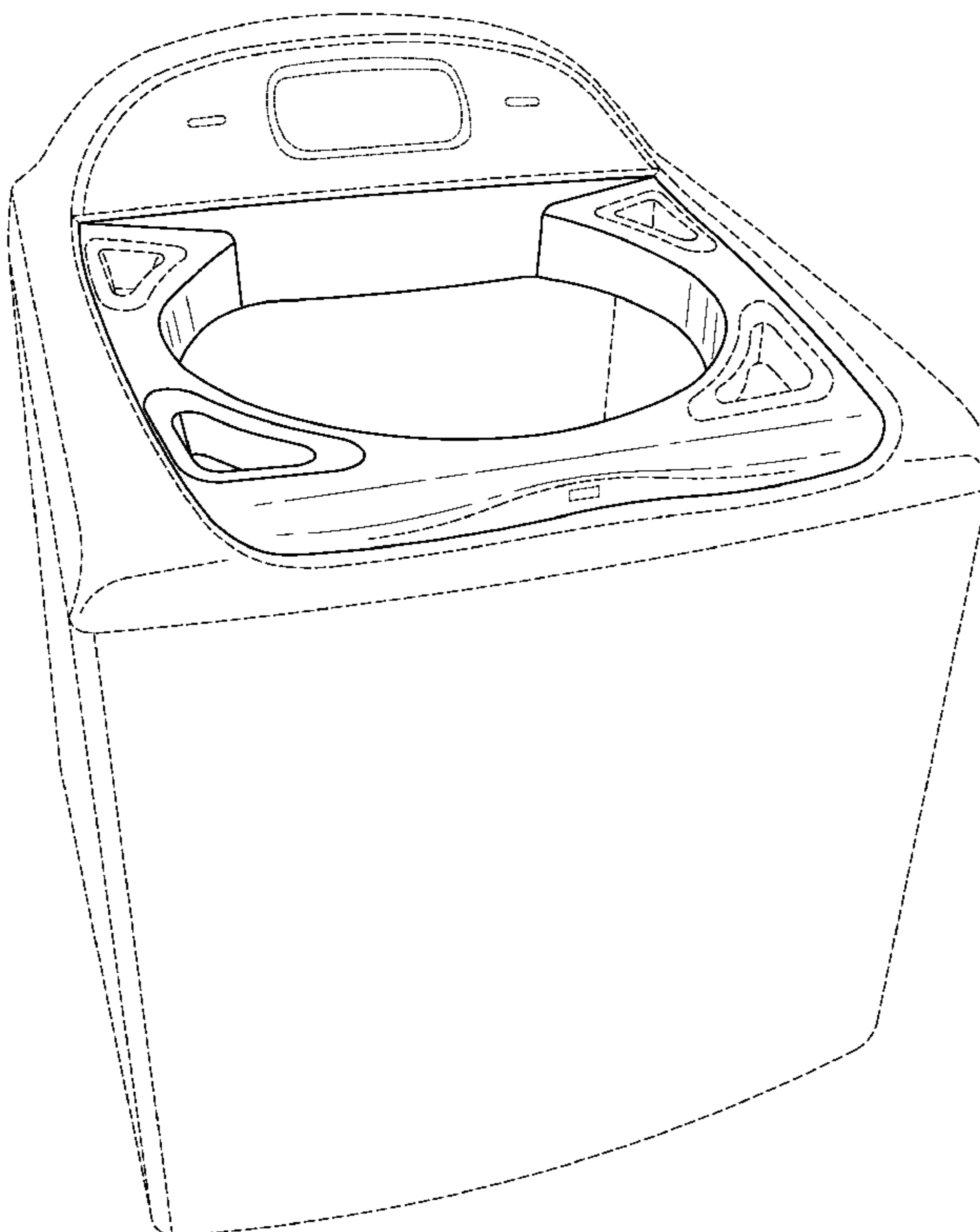
FIG. 1 is a front perspective view of a washer dispenser showing our new design;

FIG. 2 is a front elevational view of the washer dispenser of FIG. 1; and,

FIG. 3 is a top plan view of the washer dispenser of FIG. 1.

The rear elevational view, side elevational views, and the bottom plan view are not shown and form no part of the claimed design. The portion shown in broken lines is for illustrative purposes only and forms no part of the claimed design.

1 Claim, 3 Drawing Sheets



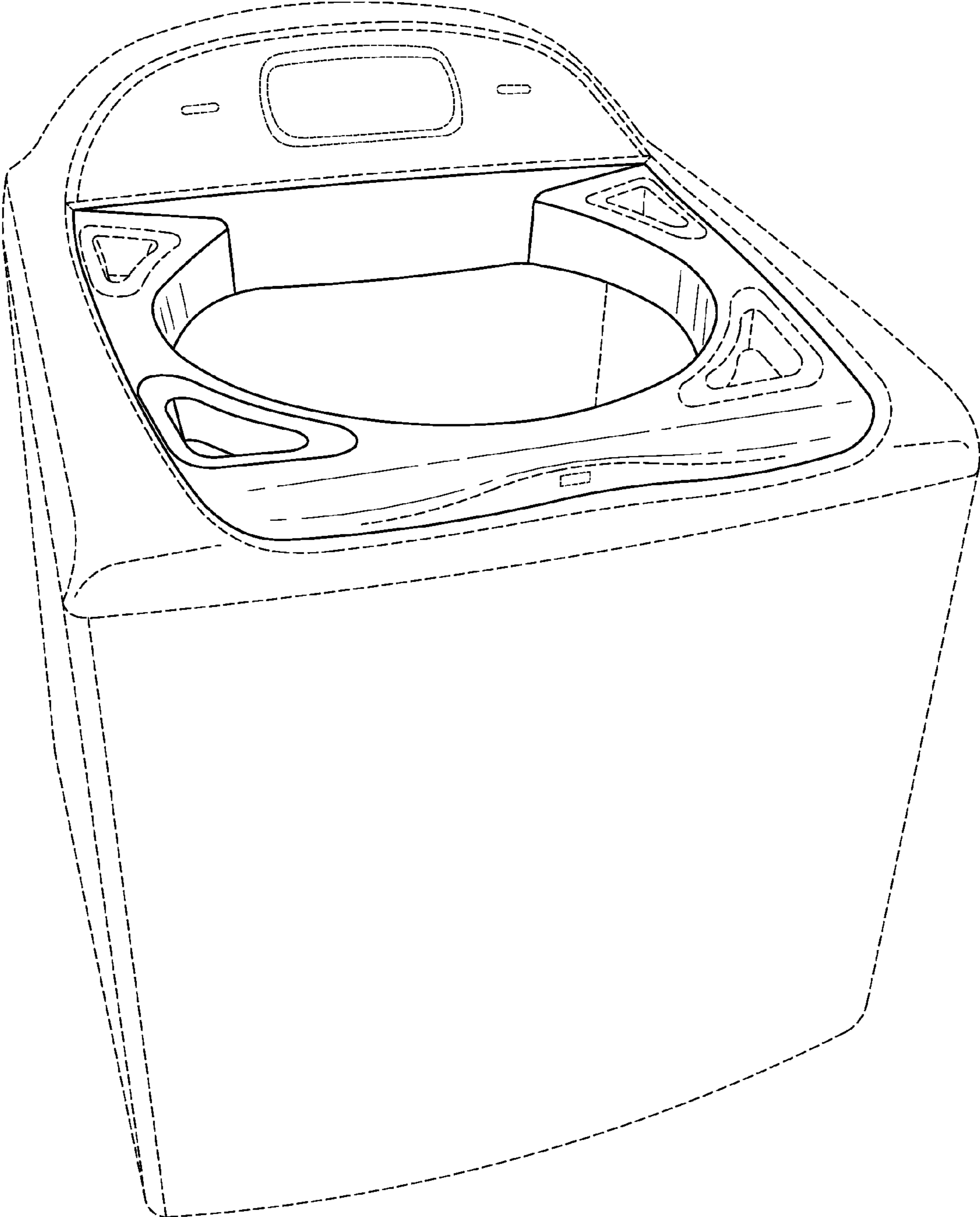


Fig. 1

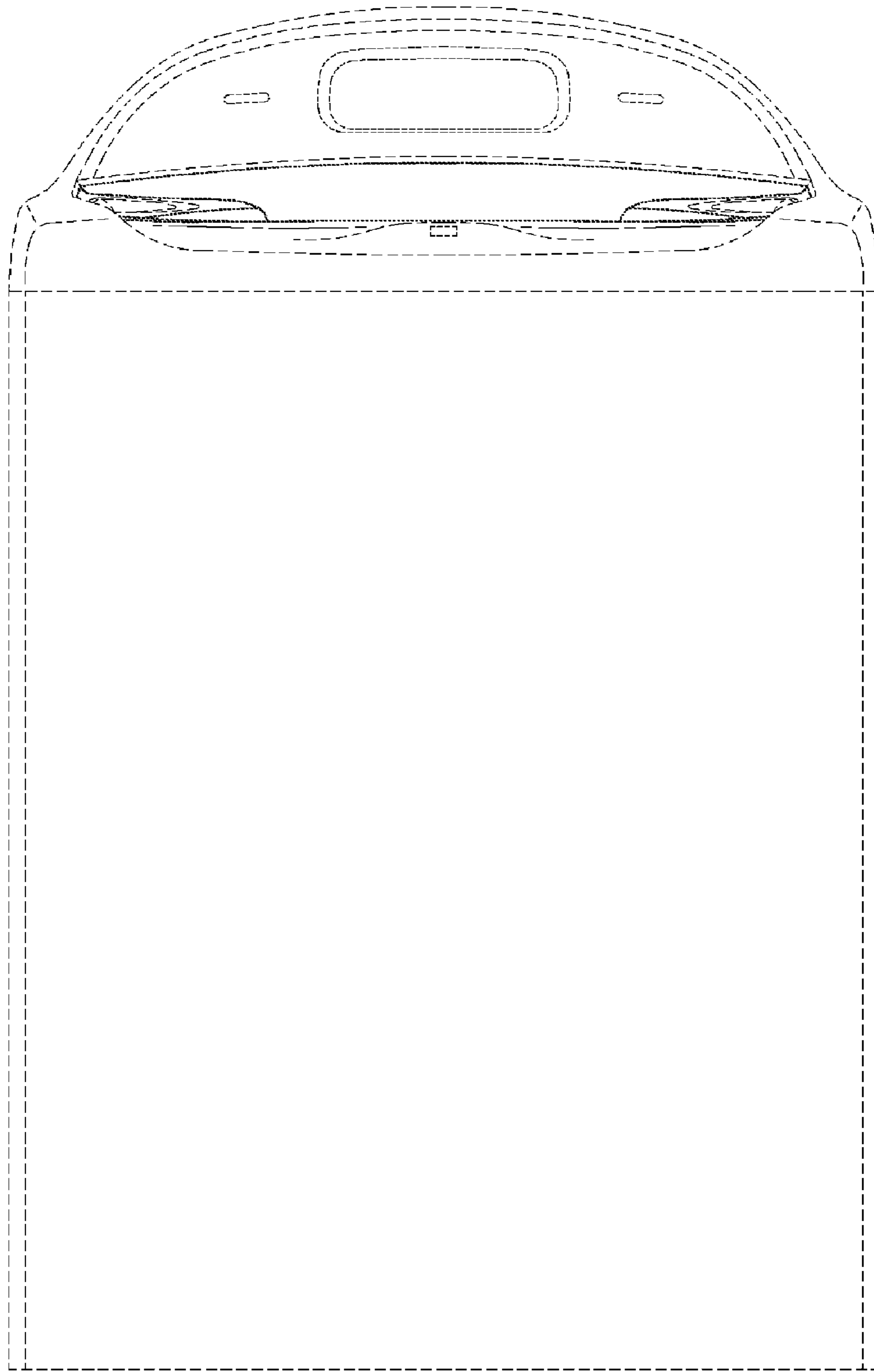


Fig. 2

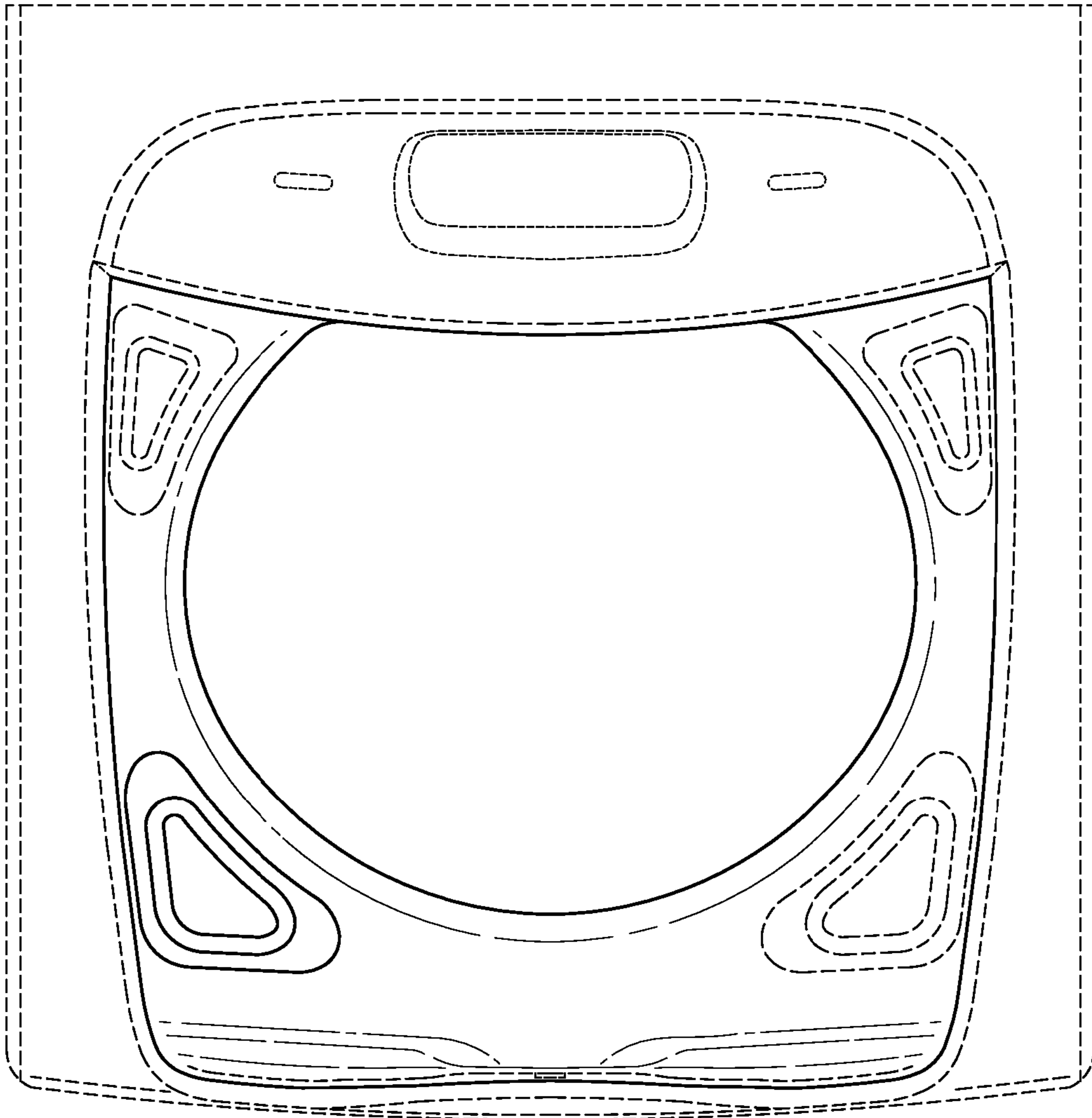


Fig. 3