



US00D620212S

(12) **United States Design Patent**
Bixby et al.

(10) **Patent No.:** **US D620,212 S**
(45) **Date of Patent:** **** Jul. 20, 2010**

(54) **DRYER DOOR**

(75) Inventors: **Seth E. Bixby**, Benton Harbor, MI (US);
Jeffrey M. Browne, Benton Harbor, MI
(US); **Richard K. Gresens**, Benton
Harbor, MI (US)

(73) Assignee: **Whirlpool Corporation**, Benton Harbor,
MI (US)

(**) Term: **14 Years**

(21) Appl. No.: **29/352,961**

(22) Filed: **Dec. 30, 2009**

(51) **LOC (9) Cl.** **15-05**

(52) **U.S. Cl.** **D32/25**

(58) **Field of Classification Search** D32/6,
D32/8, 5, 10, 1, 9, 25; 68/3 R, 5 R, 12.01,
68/212; 34/523-524; 312/34

See application file for complete search history.

(56) **References Cited**

U.S. PATENT DOCUMENTS

D536,143 S *	1/2007	Takase et al.	D32/5
D539,490 S *	3/2007	Sans Rovira et al.	D32/6
D582,107 S *	12/2008	Ha et al.	D32/6
D584,865 S *	1/2009	Kim et al.	D32/6
D585,165 S *	1/2009	Kim et al.	D32/6
D589,215 S *	3/2009	Cho et al.	D32/6
D606,267 S *	12/2009	Shor	D32/6

* cited by examiner

Primary Examiner—T. Chase Nelson
Assistant Examiner—Kathleen M Sims

(74) *Attorney, Agent, or Firm*—Tara M. Hartman; Barnes &
Thornburg LLP

(57) **CLAIM**

We claim the ornamental design for a dryer door, as shown
and described.

DESCRIPTION

Cross-reference is made to co-pending U.S. Design patent
application Ser. No. 29/352,963 entitled Dryer Console; U.S.
Design patent application Ser. No. 29/352,960 entitled
Washer Door; U.S. patent application Ser. No. 29/352,966
entitled Washer Dispenser Configuration; and U.S. patent
application Ser. No. 29/352,965 entitled Washer Console;
each of which is assigned to the same assignee as the present
application, each of which is filed concurrently herewith, and
each of which is hereby incorporated by reference.

FIG. 1 is a front perspective view of a dryer door showing our
new design with a broken line depiction of a dryer;

FIG. 2 is a front elevational view of the dryer door of FIG. 1,
but shown without the broken line depiction of a dryer;

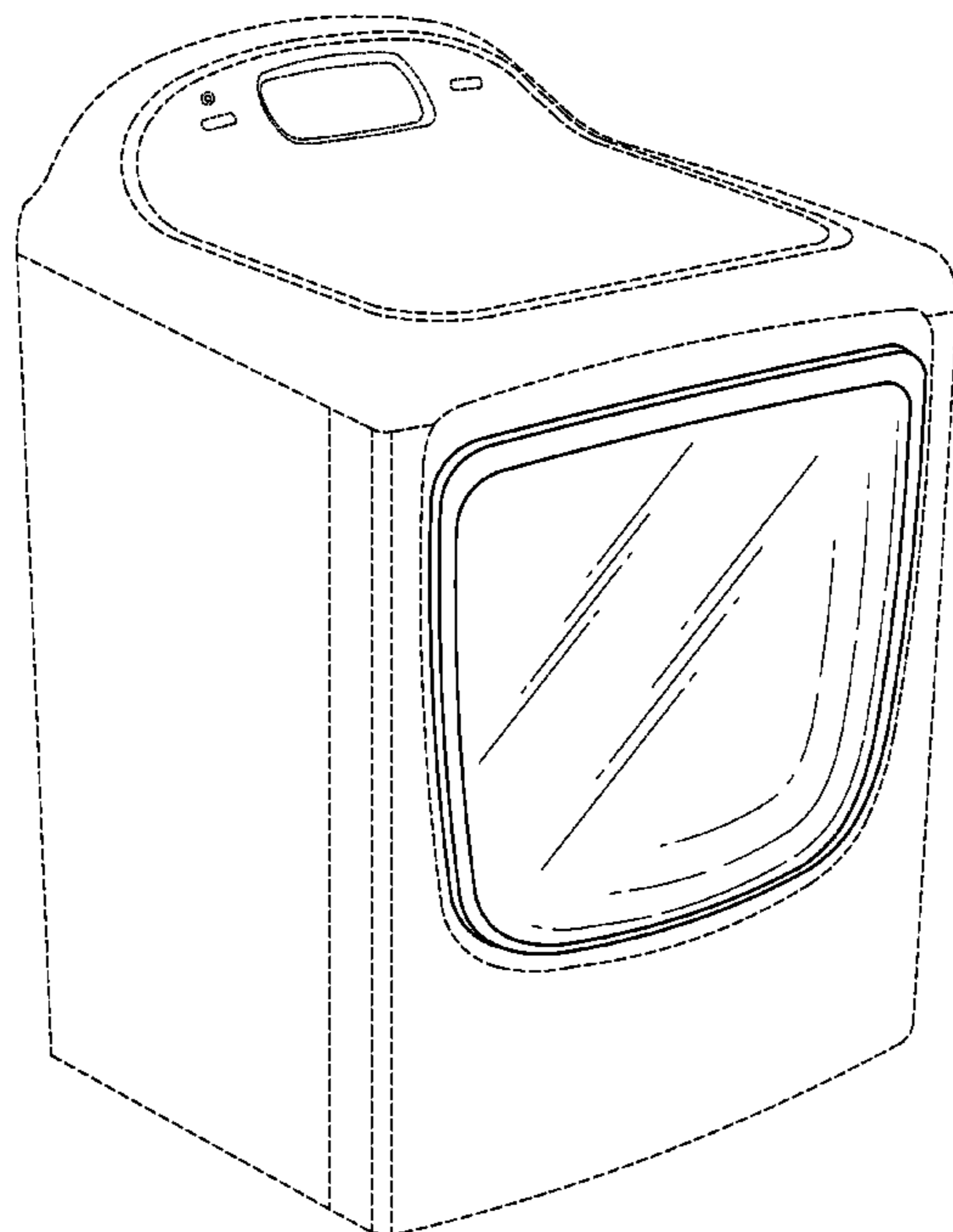
FIG. 3 is a top plan view of the dryer door of FIG. 2;

FIG. 4 is a bottom plan view of the dryer door of FIG. 2; and,

FIG. 5 is a first side elevational view of the dryer door of FIG.
1.

The rear elevational view is not shown and forms no part of
the claimed design. The portion shown in broken lines is for
illustrative purposes only and forms no part of the claimed
design.

1 Claim, 4 Drawing Sheets



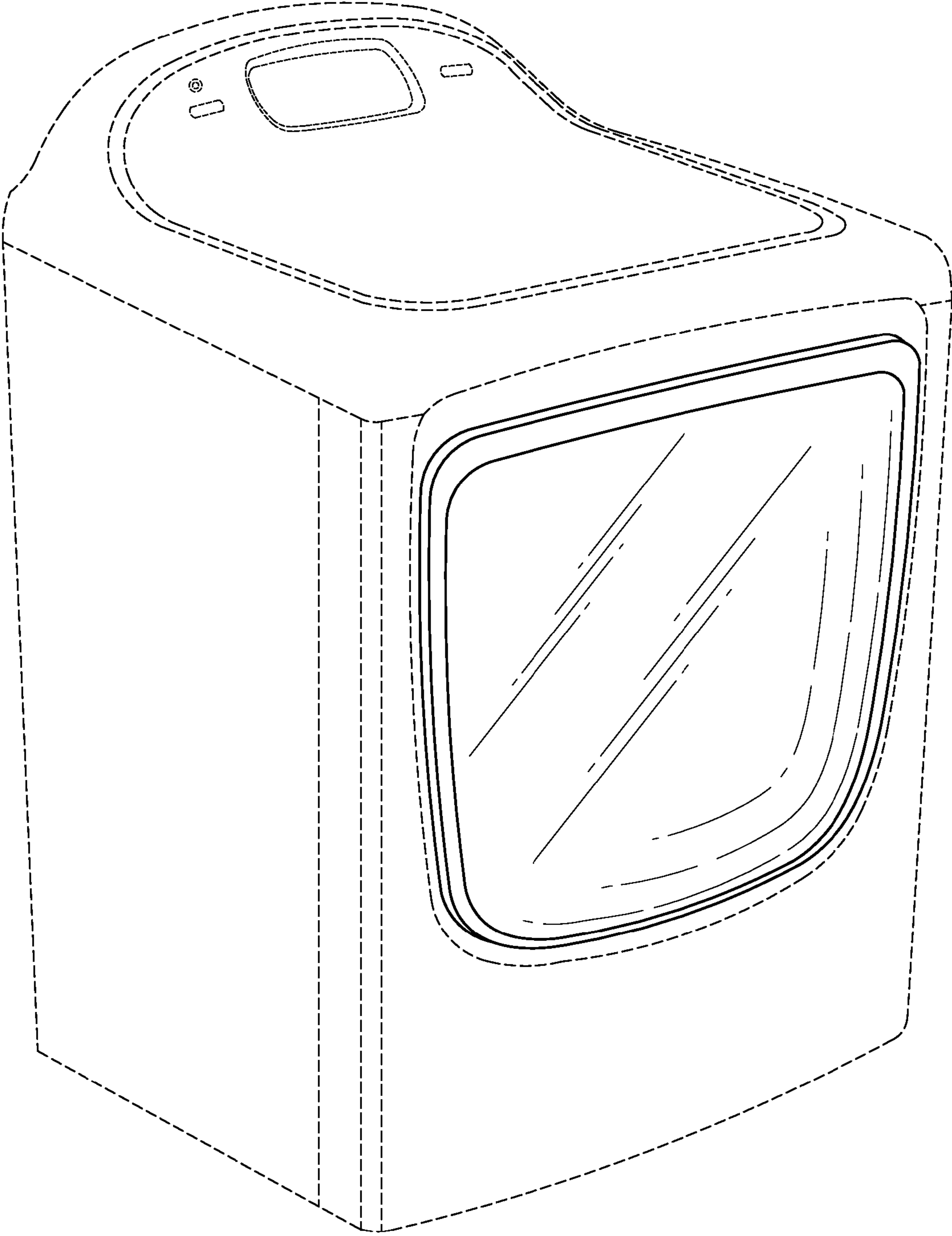


Fig. 1

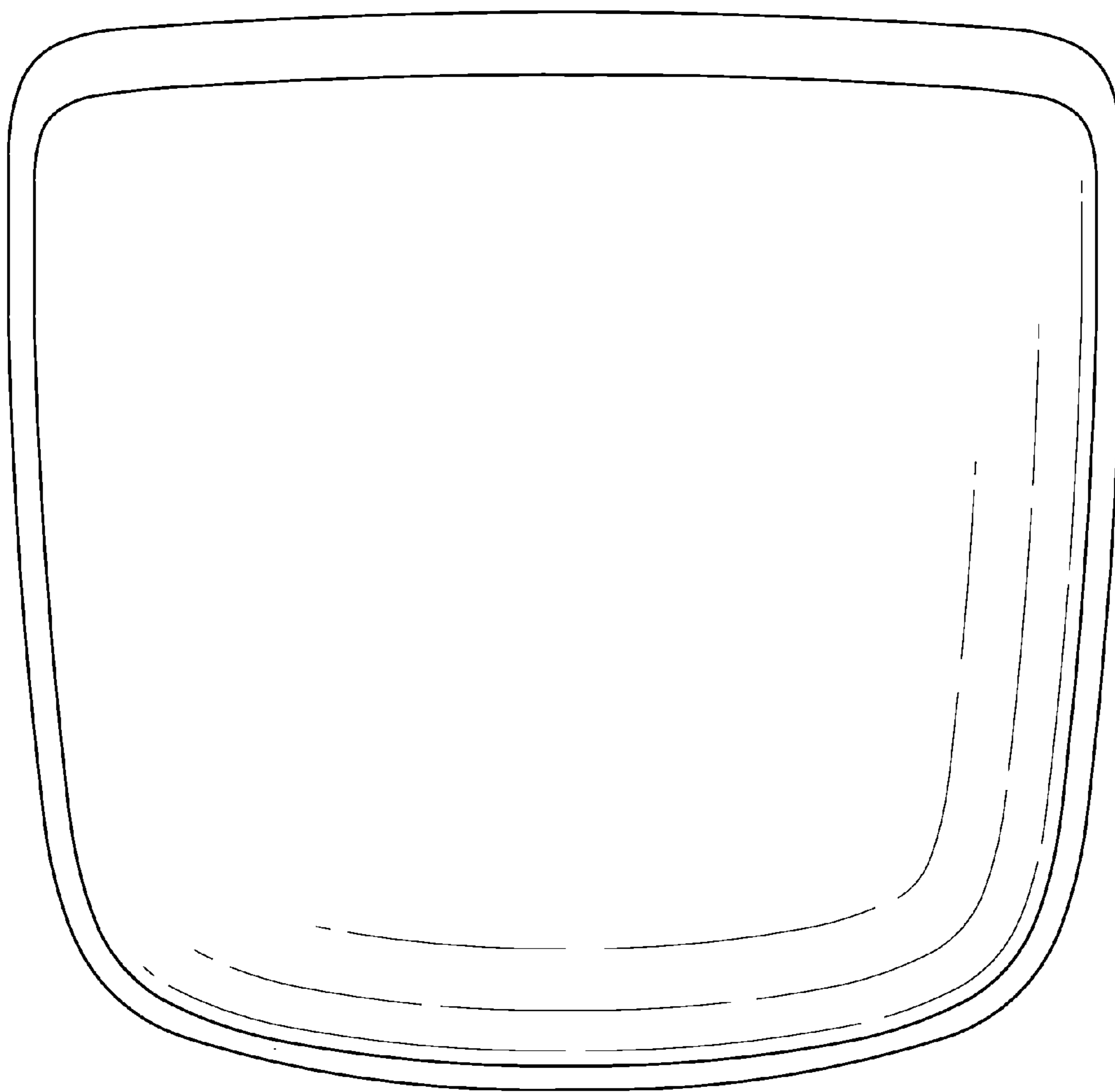


Fig. 2

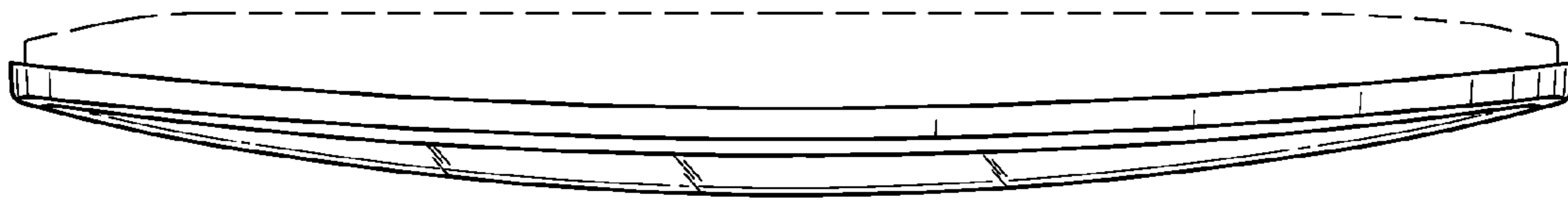


Fig. 3



Fig. 4

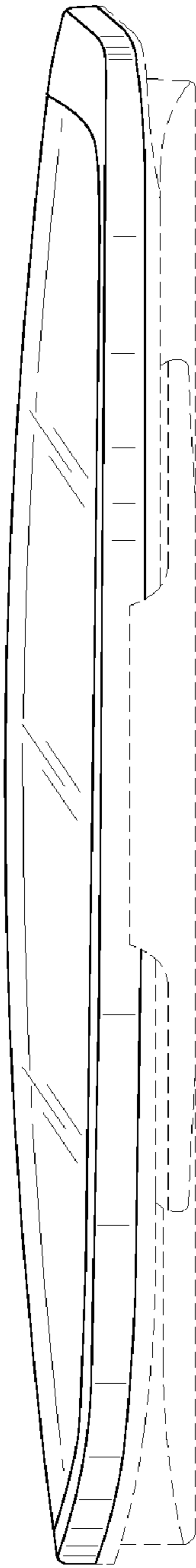


Fig. 5