



US00D620211S

(12) **United States Design Patent**
Shail

(10) **Patent No.:** **US D620,211 S**
(45) **Date of Patent:** **** Jul. 20, 2010**

(54) **APPLIANCE PEDESTAL**

(75) Inventor: **Rajat Shail**, Saint Joseph, MI (US)

(73) Assignee: **Whirlpool Corporation**, Benton Harbor, MI (US)

(**) Term: **14 Years**

(21) Appl. No.: **29/346,807**

(22) Filed: **Nov. 6, 2009**

(51) **LOC (9) Cl.** **15-05**

(52) **U.S. Cl.** **D32/25**

(58) **Field of Classification Search** D32/6,
D32/8, 5, 10, 1, 9, 25; 68/3 R, 5 R, 12.01,
68/212; 34/523-524; D6/445-446, 463,
D6/510

See application file for complete search history.

(56) **References Cited**

U.S. PATENT DOCUMENTS

D228,167 S *	8/1973	Holmes	D6/510
D365,224 S *	12/1995	Pohlman	D6/445
D504,259 S *	4/2005	Arceta	D6/510
D521,702 S *	5/2006	No et al.	D32/25
D549,408 S *	8/2007	Lee	D32/25
D549,900 S *	8/2007	Kim et al.	D32/6
D569,065 S *	5/2008	Ritterling	D32/25
D587,048 S *	2/2009	Hand	D6/510

D600,957 S *	9/2009	Welch	D6/510
D604,061 S *	11/2009	Hand	D6/455
D606,267 S *	12/2009	Shor	D32/6
D608,062 S *	1/2010	Jeong et al.	D32/6

* cited by examiner

Primary Examiner—T. Chase Nelson

Assistant Examiner—Kathleen M Sims

(74) *Attorney, Agent, or Firm*—Tara M. Hartman; Barnes & Thornburg, LLP

(57) **CLAIM**

I claim the ornamental design for an appliance pedestal, as shown and described.

DESCRIPTION

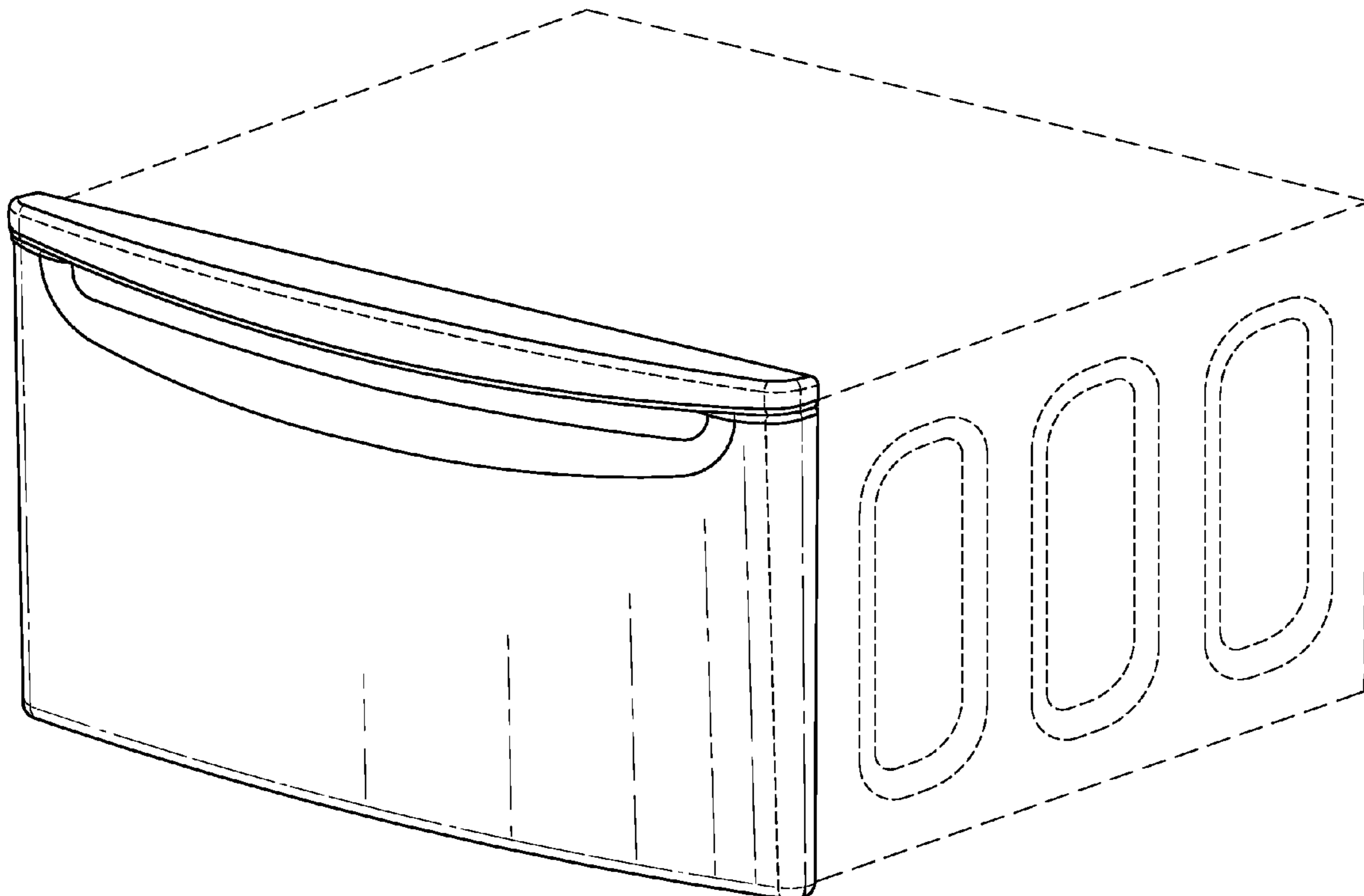
FIG. 1 is a front perspective view of the appliance pedestal showing my new design;

FIG. 2 is a front elevational view of the appliance pedestal of FIG. 1; and,

FIG. 3 is a first side elevational view of the appliance pedestal of FIG. 1, with the second side elevational view being a mirror image of FIG. 3.

The top plan view and the bottom plan view are not shown and form no part of the claimed design. The portion shown in broken lines is for illustrative purposes only and forms no part of the claimed design.

1 Claim, 3 Drawing Sheets



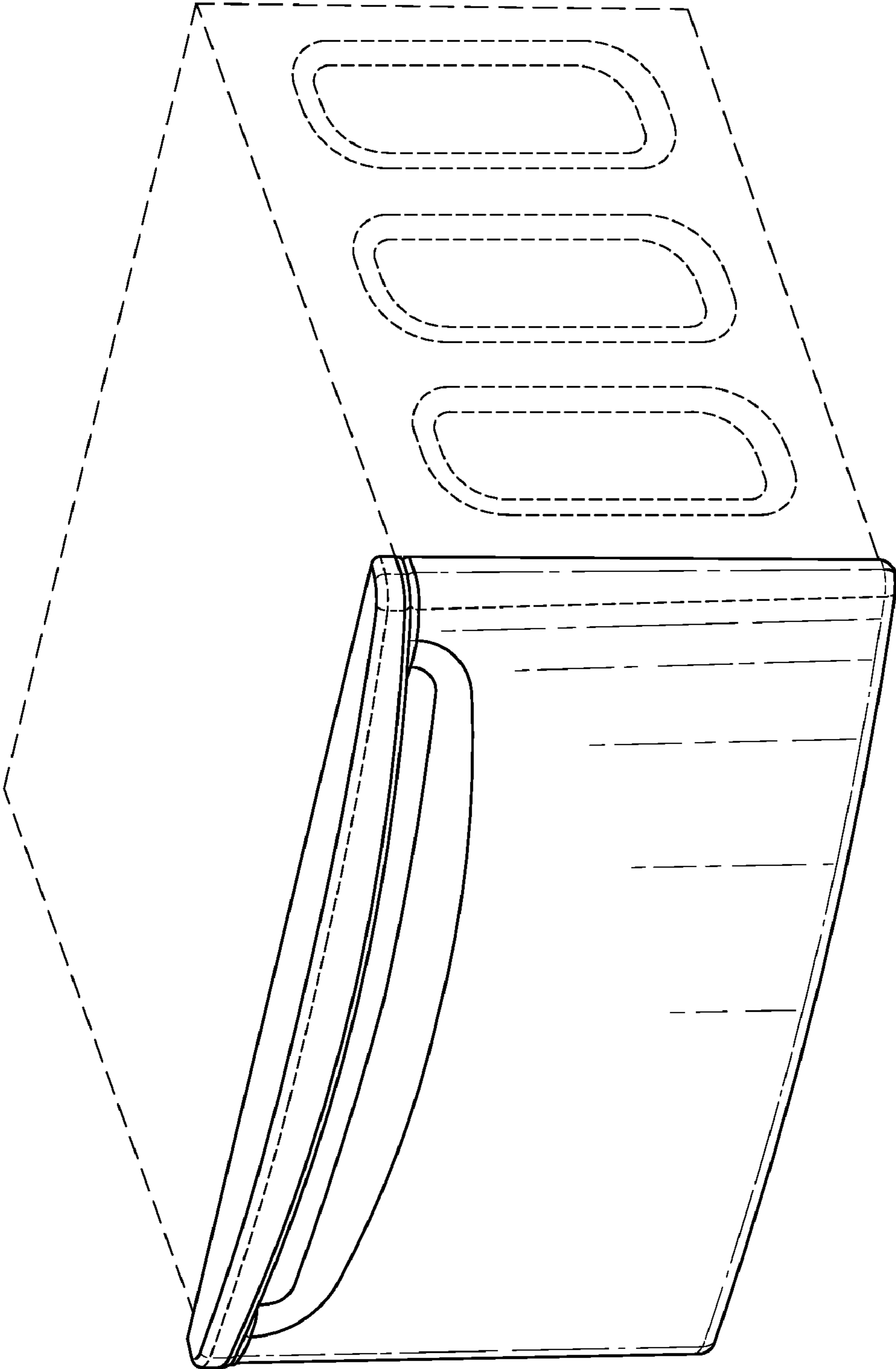


Fig. 1

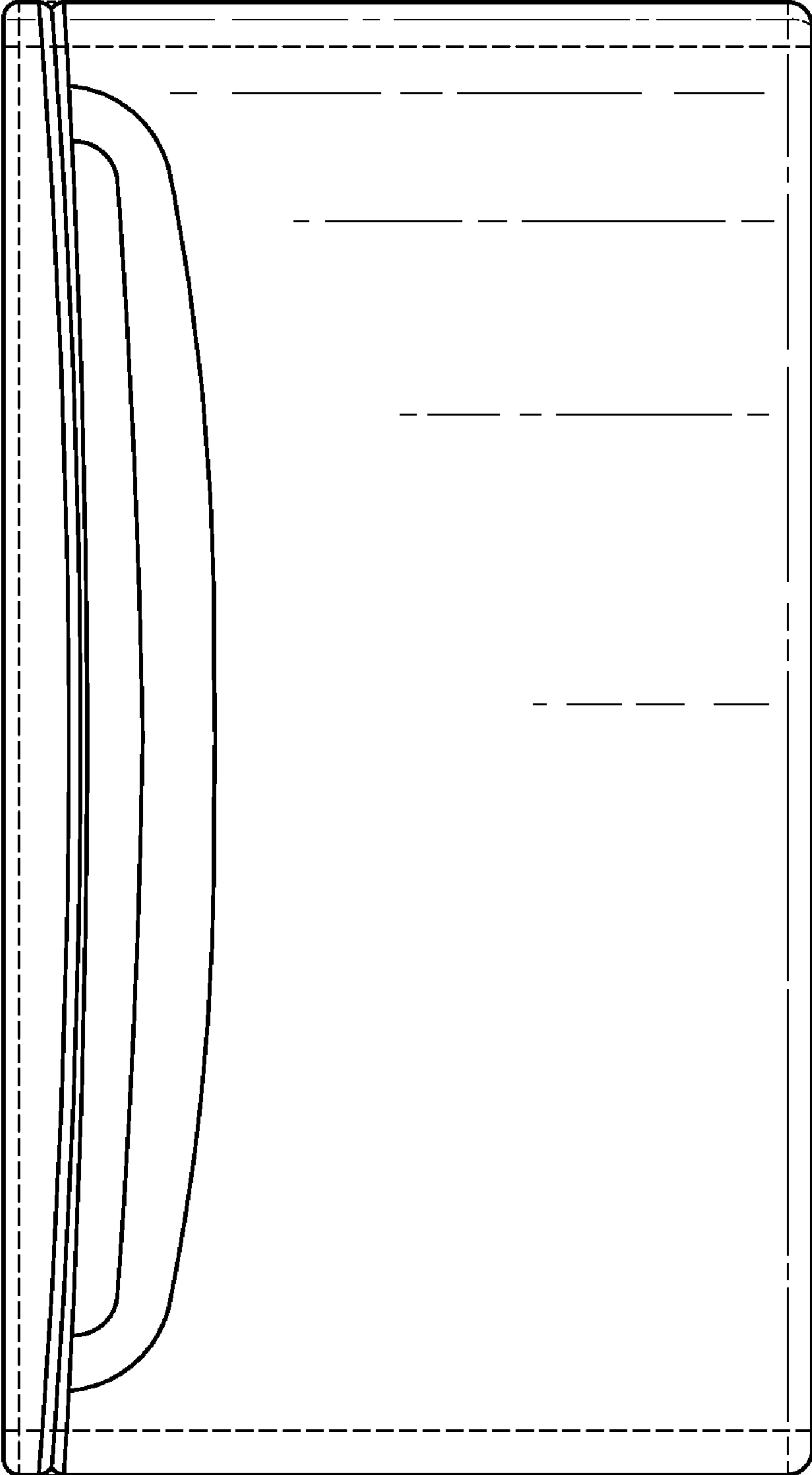


Fig. 2

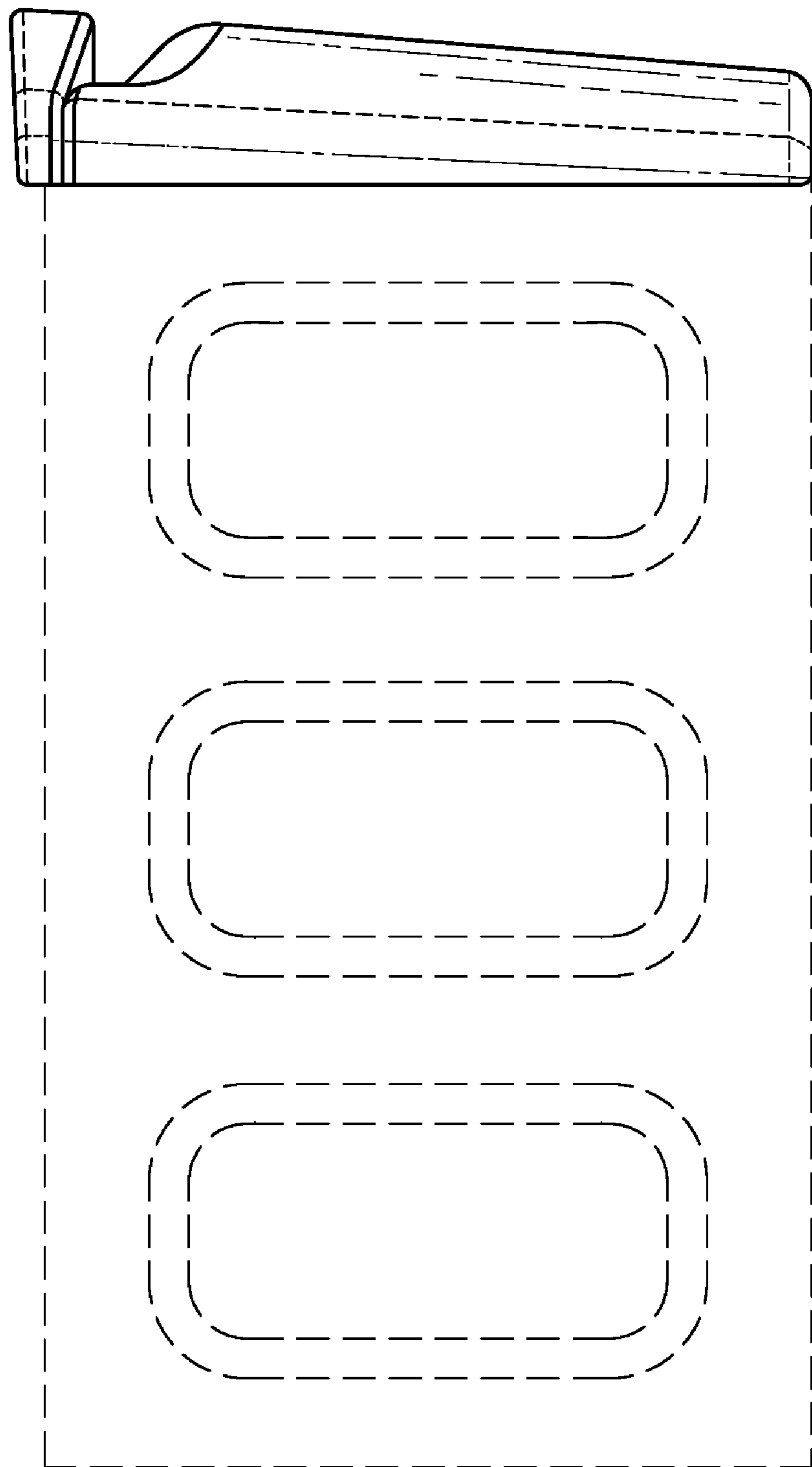


Fig. 3