

US00D620210S

(12) **United States Design Patent**
Franzino et al.

(10) **Patent No.:** **US D620,210 S**
(45) **Date of Patent:** **** Jul. 20, 2010**

(54) **VACUUM CLEANER**

(75) Inventors: **Joseph J Franzino**, Redding, CT (US);
David Walsh, Stamford, CT (US)

(73) Assignee: **Goodway Technologies Corporation**,
Stamford, CT (US)

(**) Term: **14 Years**

(21) Appl. No.: **29/315,605**

(22) Filed: **Jul. 9, 2009**

(51) **LOC (9) Cl.** **15-05**

(52) **U.S. Cl.** **D32/23**

(58) **Field of Classification Search** D32/17-18,
D32/21, 23-24, 31; 15/320-321, 344, 327.1-327.2,
15/327.4-327.7, 353, 412

See application file for complete search history.

(56) **References Cited**

U.S. PATENT DOCUMENTS

D213,641 S *	3/1969	Mariol	D32/23
D214,196 S *	5/1969	Williams	D32/23
D224,624 S *	8/1972	Walz	D32/23
D258,064 S *	1/1981	Pearman, Jr.	D32/23

D262,029 S *	11/1981	Osrow et al.	D32/23
D264,087 S *	4/1982	Bennett	D32/23
D504,986 S *	5/2005	Ng	D32/21

* cited by examiner

Primary Examiner—Ruth McInroy

(74) *Attorney, Agent, or Firm*—Patrick J. Walsh

(57) **CLAIM**

We claim the ornamental design for a vacuum cleaner, as shown and described.

DESCRIPTION

FIG. 1 is a perspective view of vacuum cleaner, showing our new design;

FIG. 2 is a front side elevation view thereof;

FIG. 3 is a right side elevation view thereof;

FIG. 4 is a left side elevation view thereof;

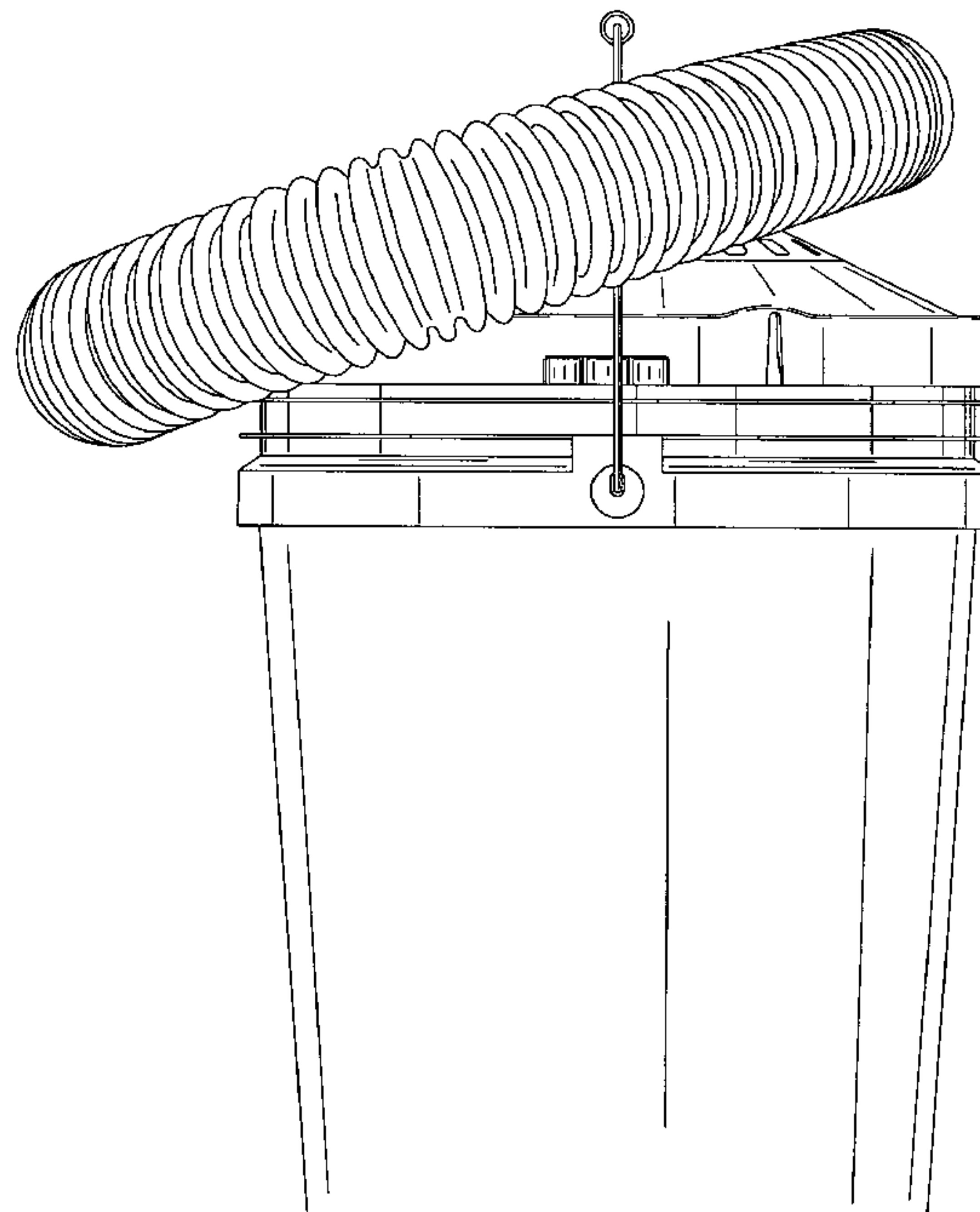
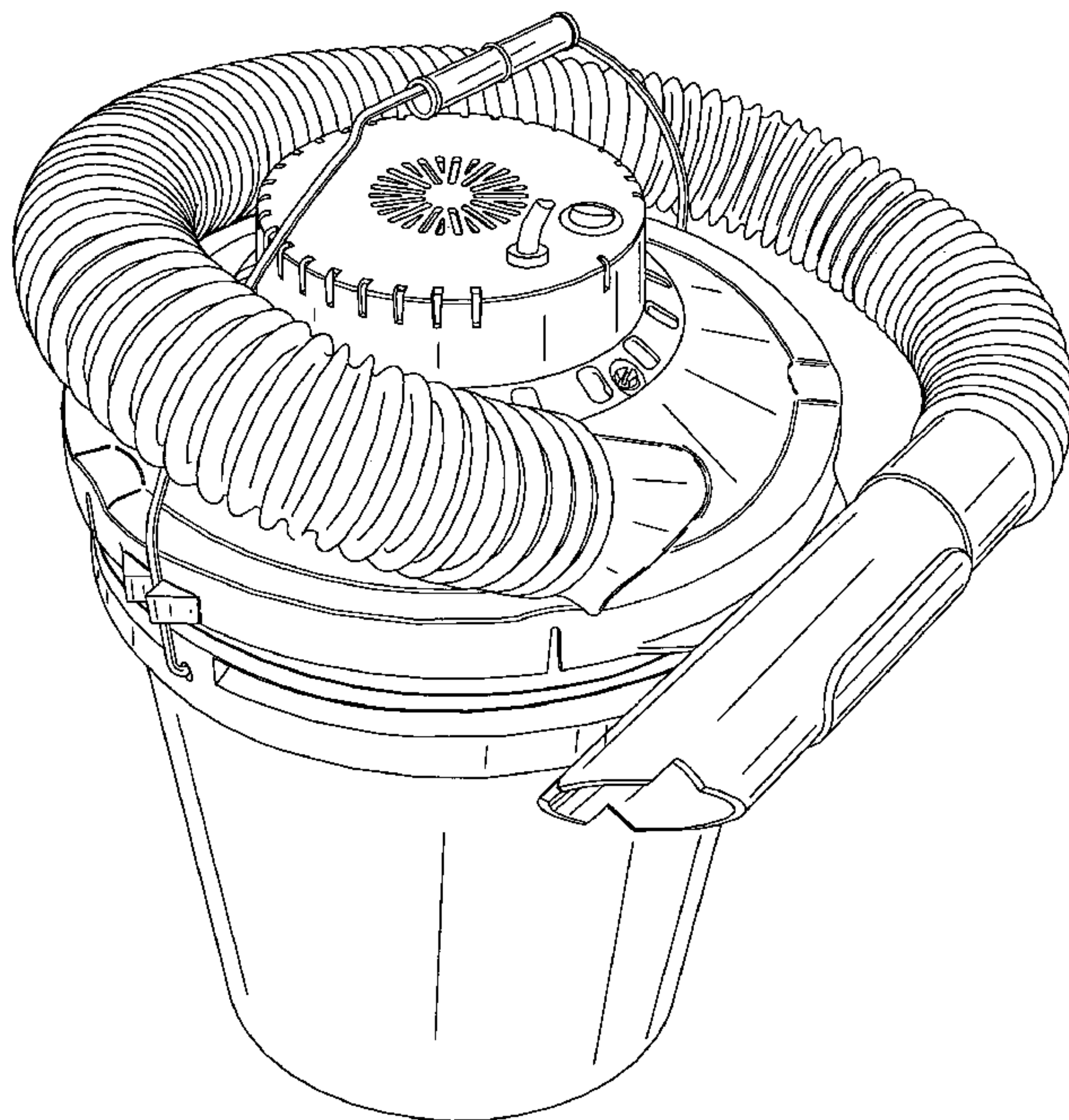
FIG. 5 is a rear side elevation view thereof;

FIG. 6 is a plan view thereof;

FIG. 7 is another top plan view thereof; and,

FIG. 8 is a bottom view thereof.

1 Claim, 8 Drawing Sheets



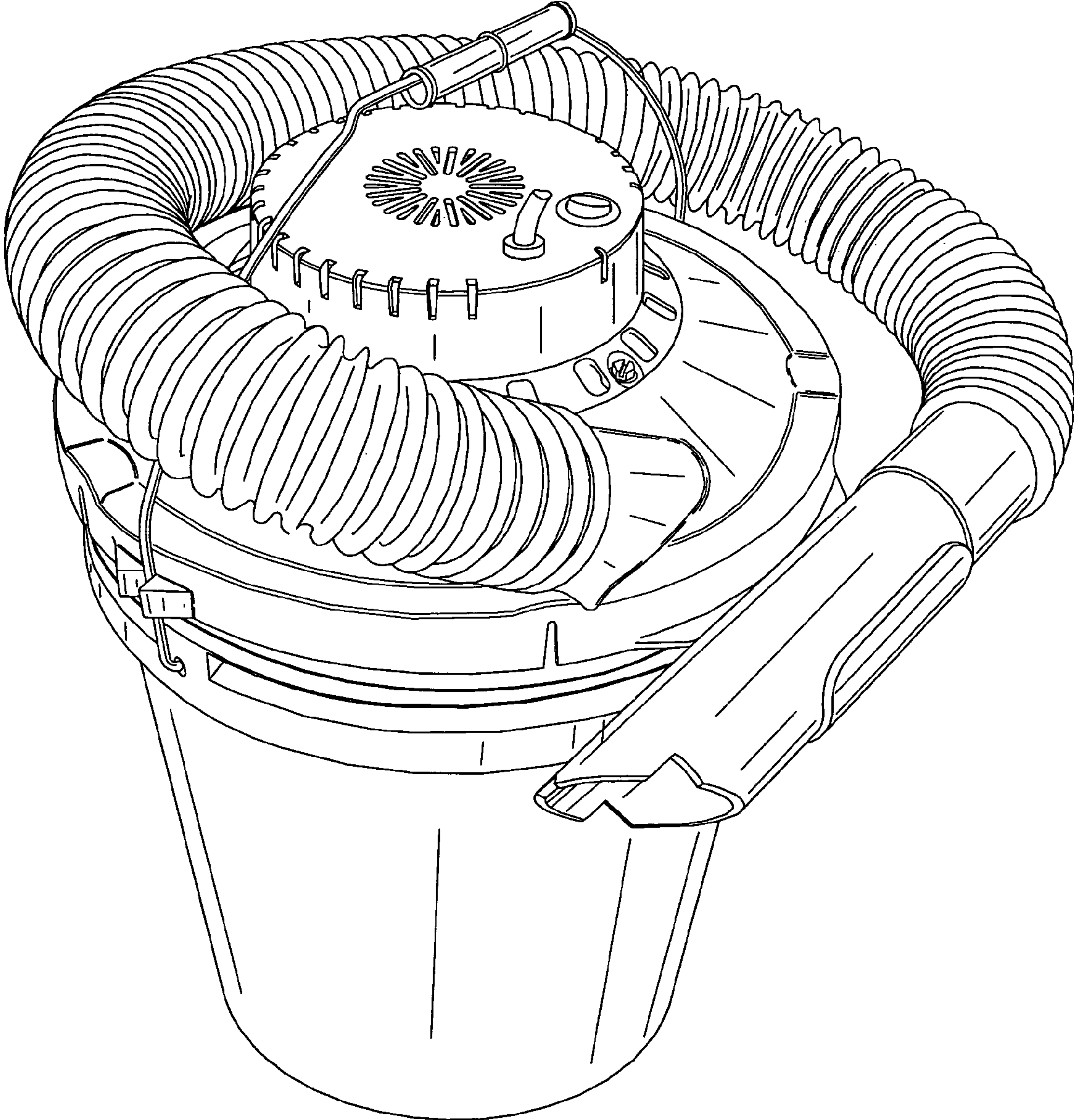


FIG. 1

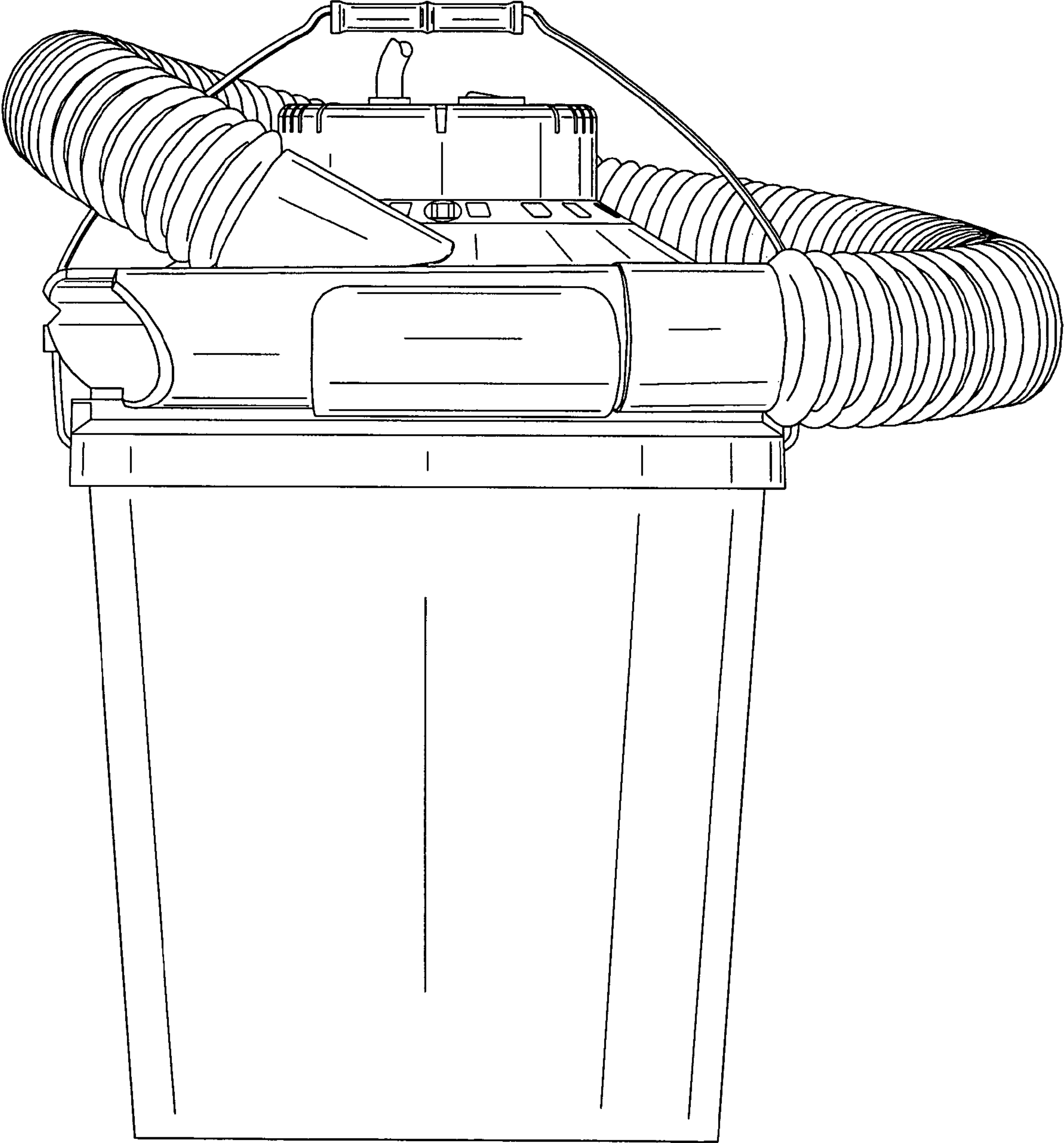


FIG. 2

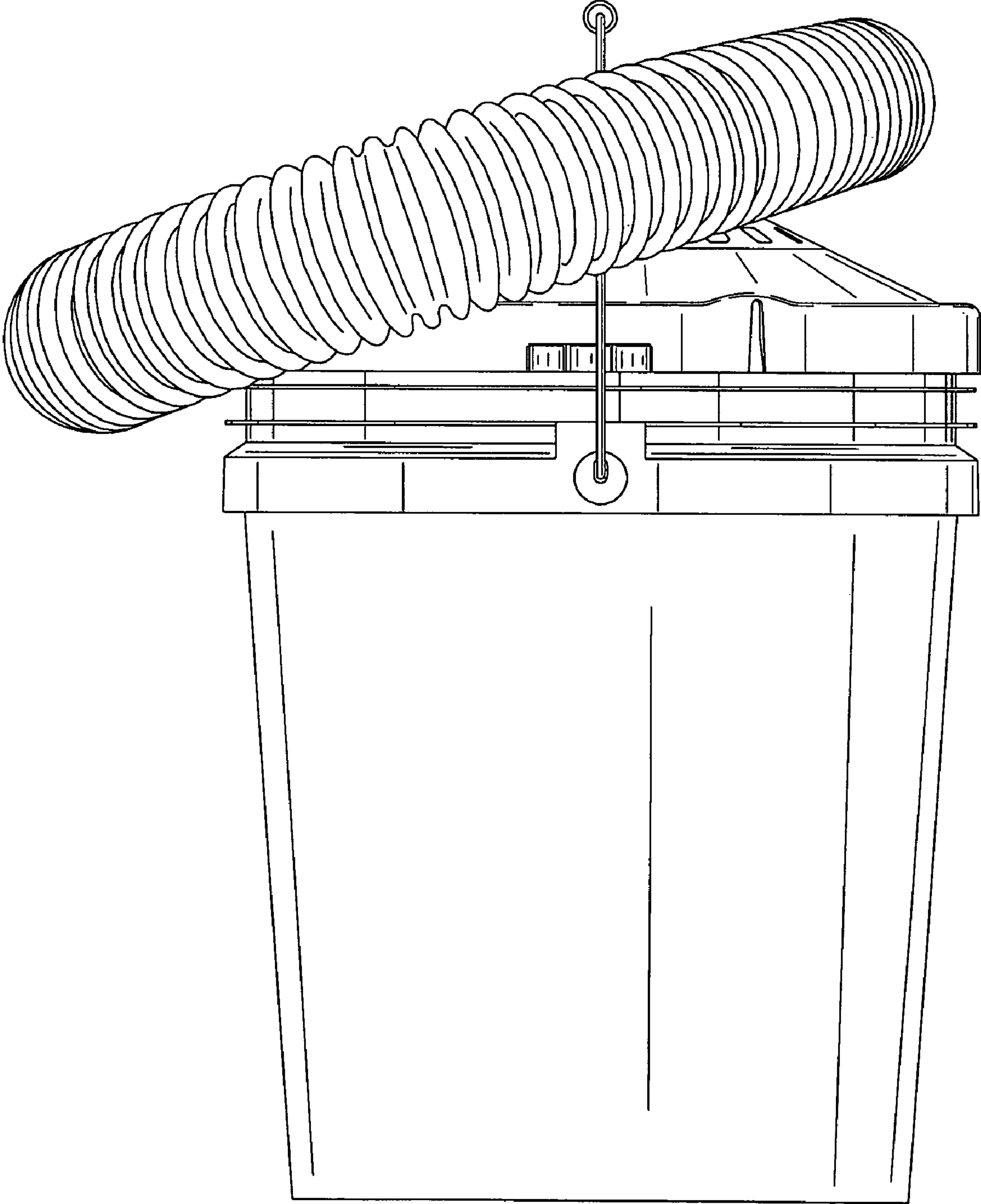


FIG. 3

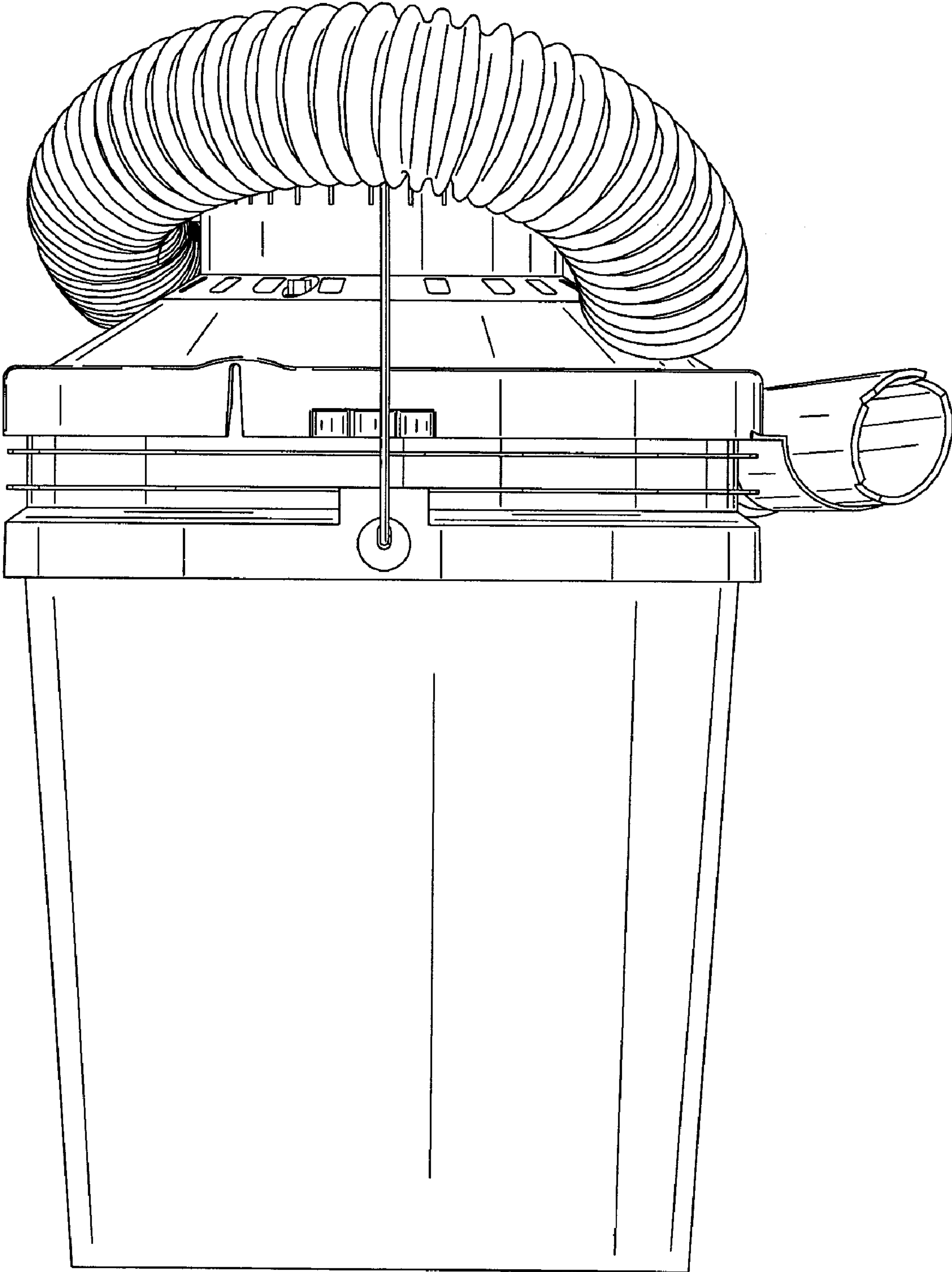


FIG. 4

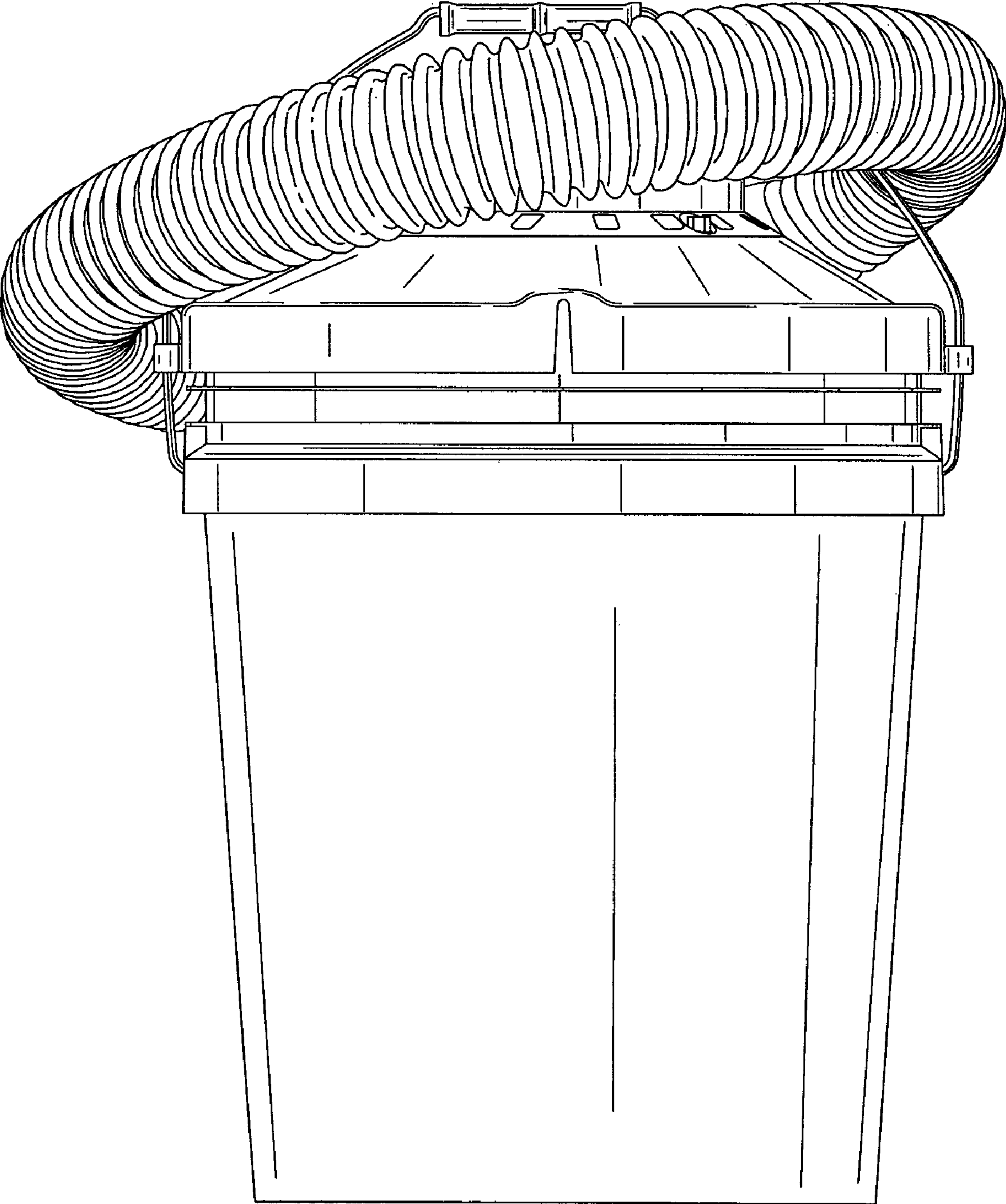


FIG. 5

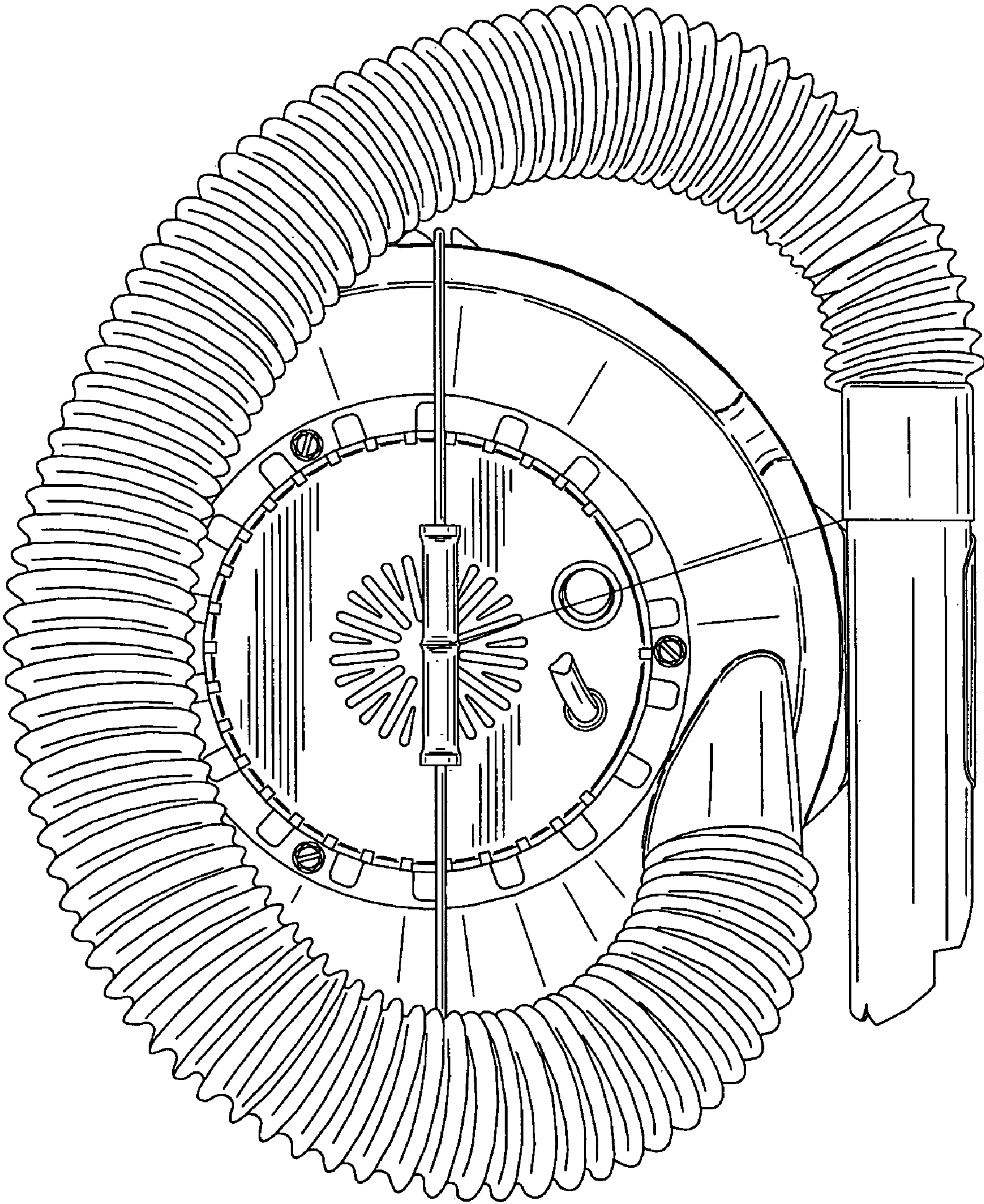


FIG. 6

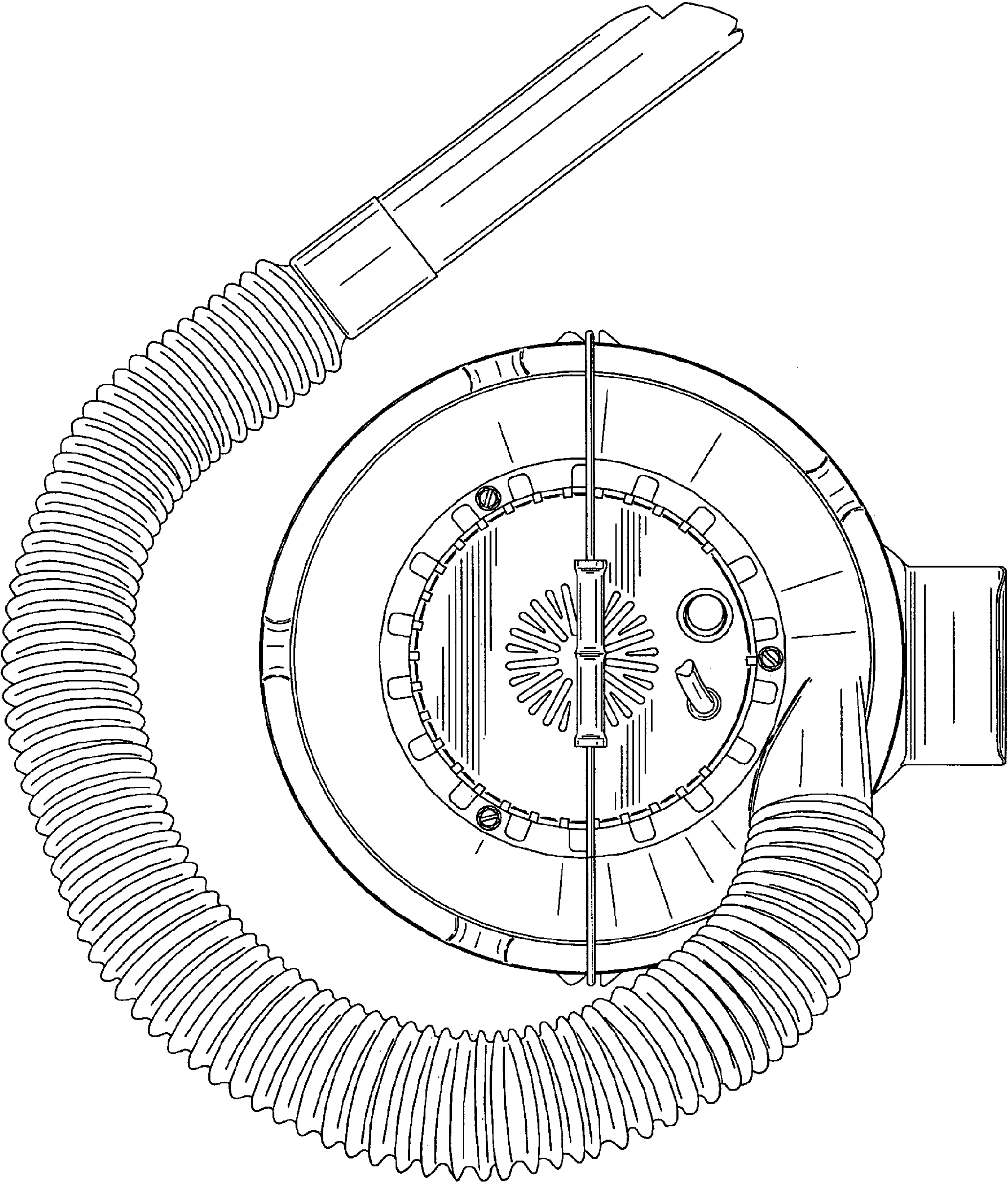


FIG. 7

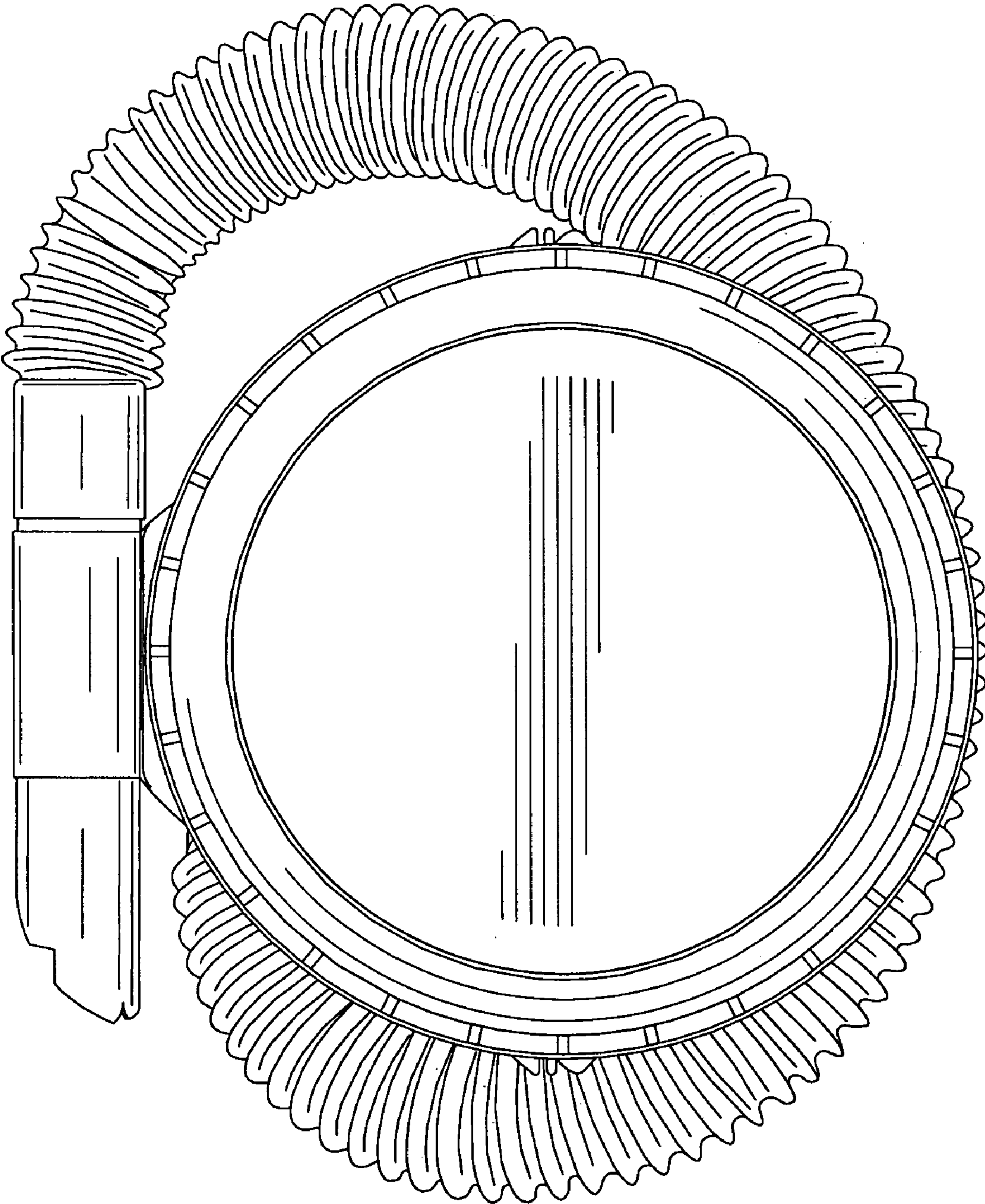


FIG. 8