



US00D620209S

(12) **United States Design Patent**
Crawley

(10) **Patent No.:** **US D620,209 S**
(45) **Date of Patent:** **** Jul. 20, 2010**

(54) **HAND-HELD VACUUM CLEANER**

(75) Inventor: **Graeme Crawley**, Newcastle Upon Tyne (GB)

(73) Assignee: **Black & Decker Inc.**, Newark, DE (US)

(**) Term: **14 Years**

(21) Appl. No.: **29/340,012**

(22) Filed: **Jul. 13, 2009**

(30) **Foreign Application Priority Data**

Jan. 19, 2009 (EP) 001071773

(51) **LOC (9) Cl.** **15-05**

(52) **U.S. Cl.** **D32/21**

(58) **Field of Classification Search** D32/17-18, D32/21, 23-24, 31; 68/5 R, 5 A, 222; 392/404-405, 392/333, 379, 324; 15/320-321, 344, 327.1-327.2, 15/327.4-327.7, 353, 412

See application file for complete search history.

(56) **References Cited**

U.S. PATENT DOCUMENTS

D435,322 S * 12/2000 DeBlasis et al. D32/21
D467,694 S * 12/2002 Kitts D32/21
D536,492 S * 2/2007 Rosenzweig D32/17

D549,406 S * 8/2007 Rosenzweig D32/17
D577,164 S * 9/2008 Williams et al. D32/21
7,487,651 B2 * 2/2009 Rosenzweig et al. 68/222
D595,462 S * 6/2009 Crawley D32/18
D600,416 S * 9/2009 Shin et al. D32/21
2004/0163203 A1 * 8/2004 Wang 15/344

* cited by examiner

Primary Examiner—Ruth McInroy

(74) *Attorney, Agent, or Firm*—John Yun; Bruce S. Shapiro; Stephen Valancius

(57) **CLAIM**

The ornamental design for a hand-held vacuum cleaner, as shown and described.

DESCRIPTION

FIG. 1 is a perspective view of a hand-held vacuum cleaner showing my new design;

FIG. 2 is a left side view according to FIG. 1;

FIG. 3 is a right side view according to FIG. 1;

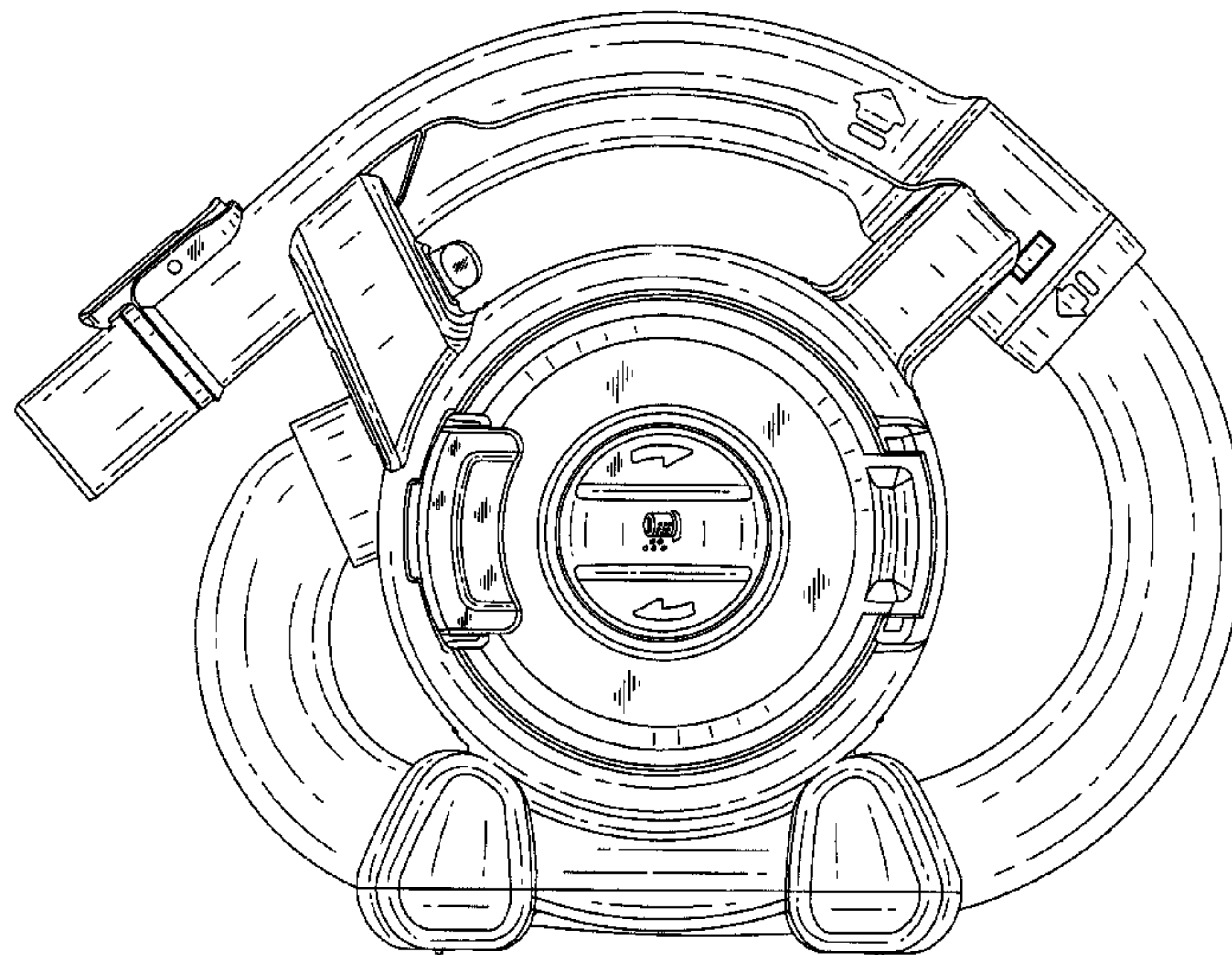
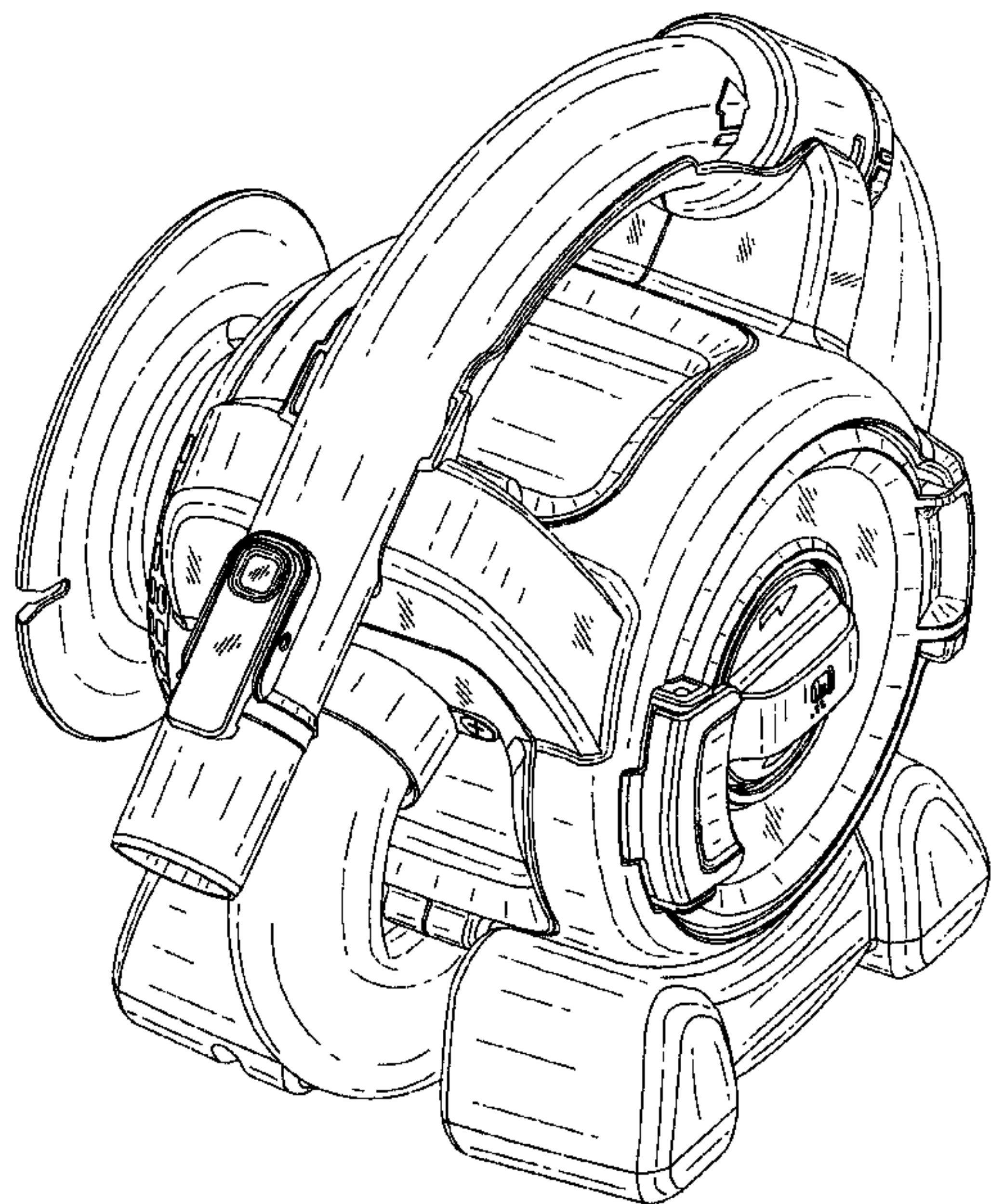
FIG. 4 is a front view according to FIG. 1;

FIG. 5 is a rear view according to FIG. 1;

FIG. 6 is a top view according to FIG. 1; and

FIG. 7 is a bottom view according to FIG. 1.

1 Claim, 7 Drawing Sheets



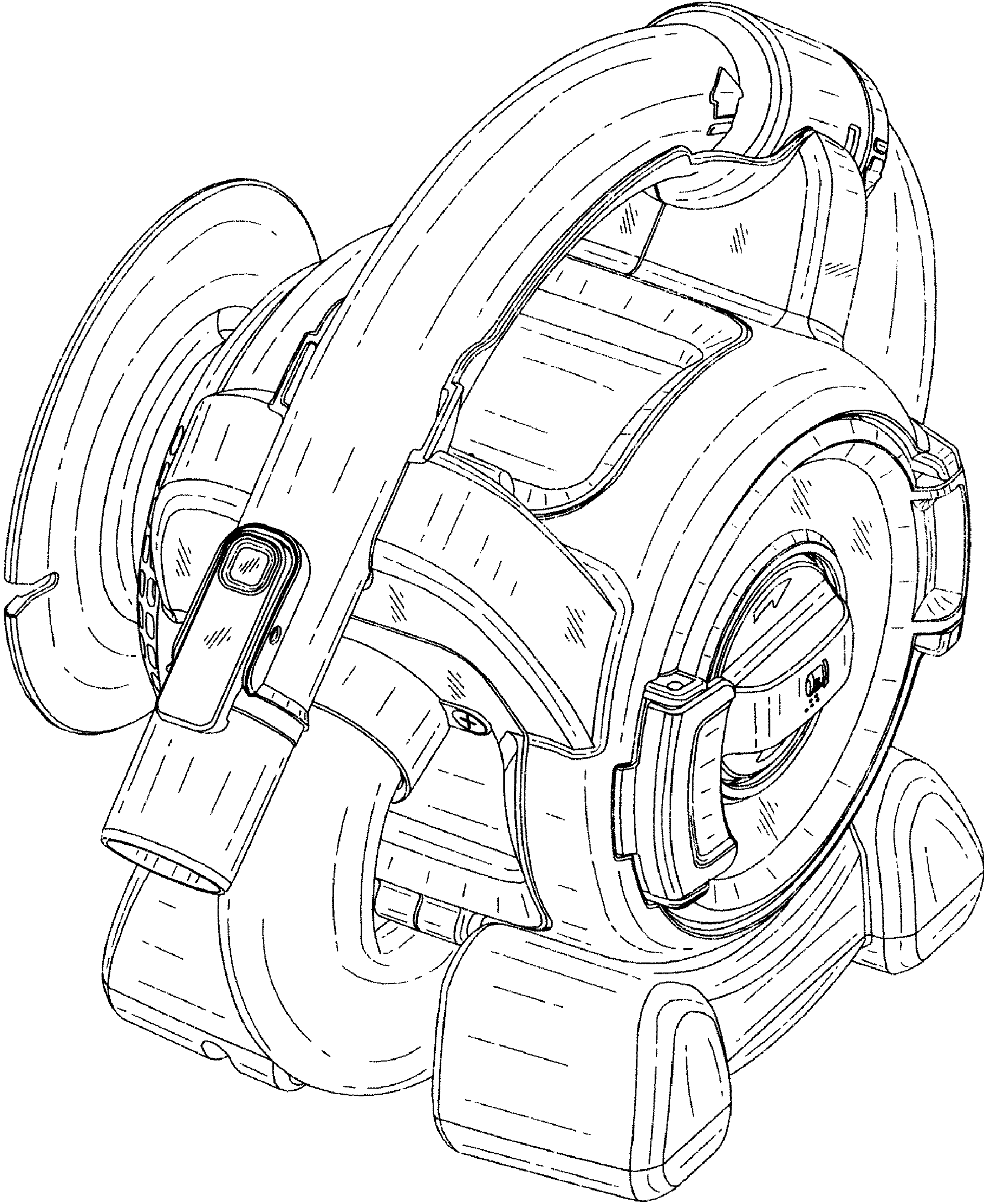


FIG.1

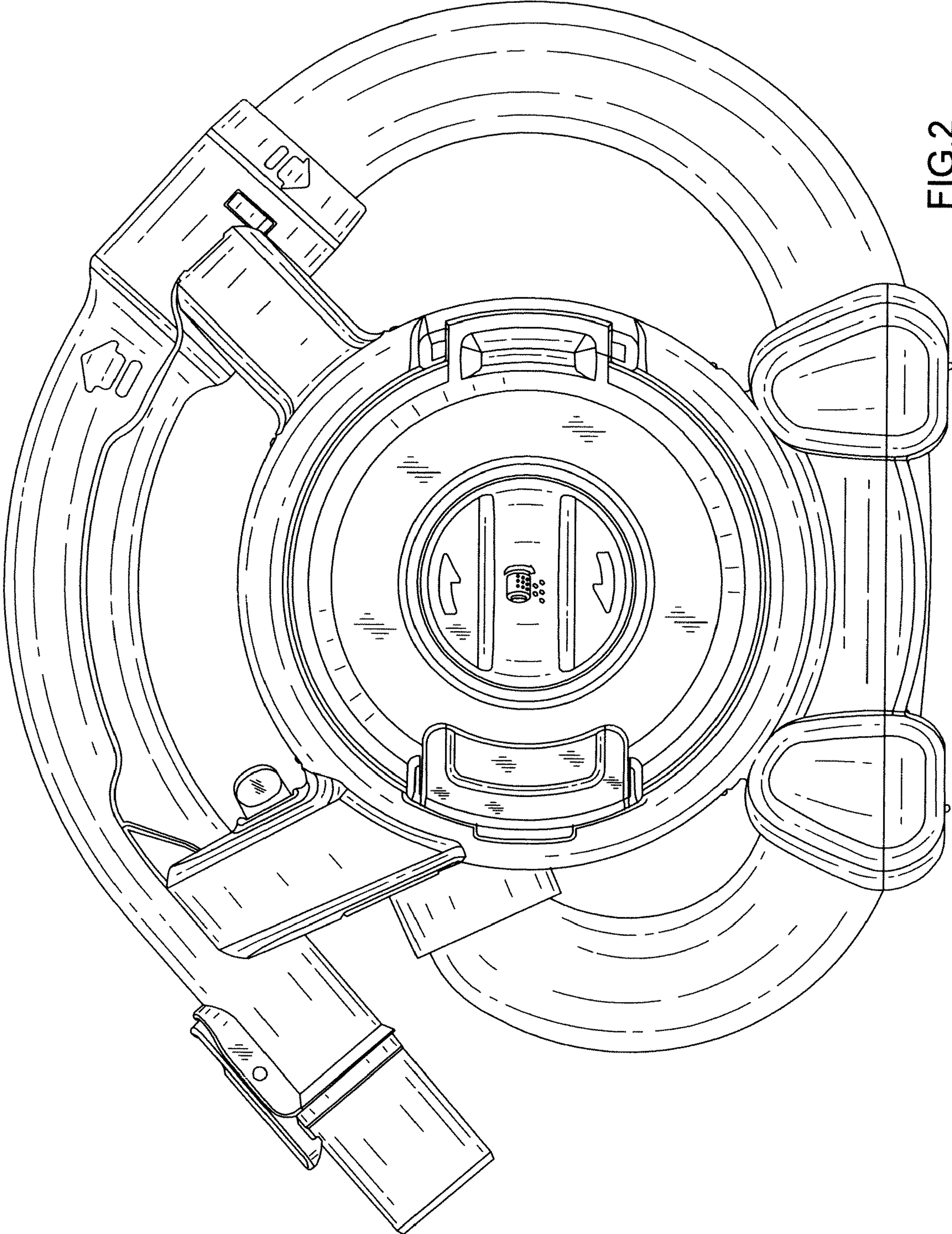


FIG.2

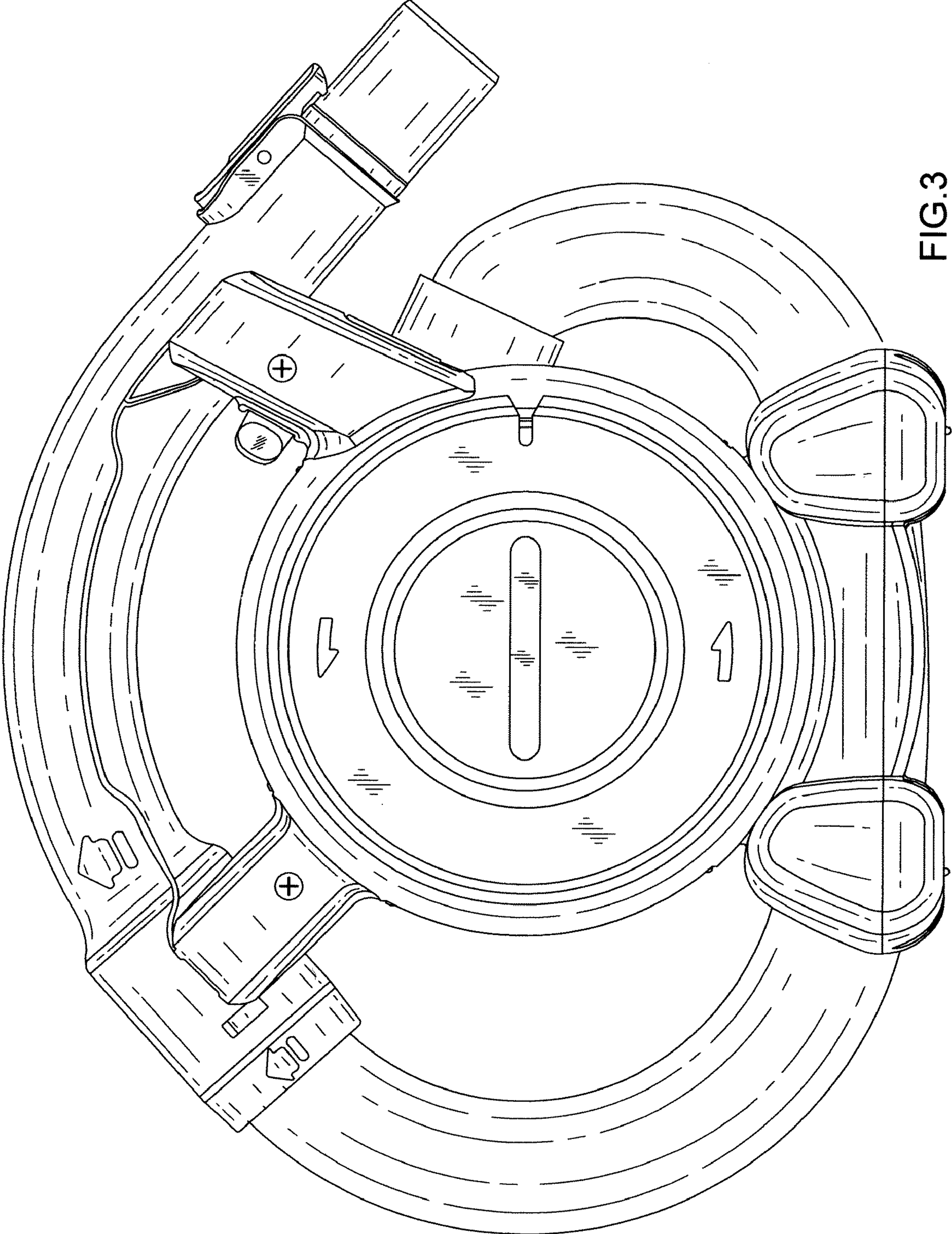


FIG.3

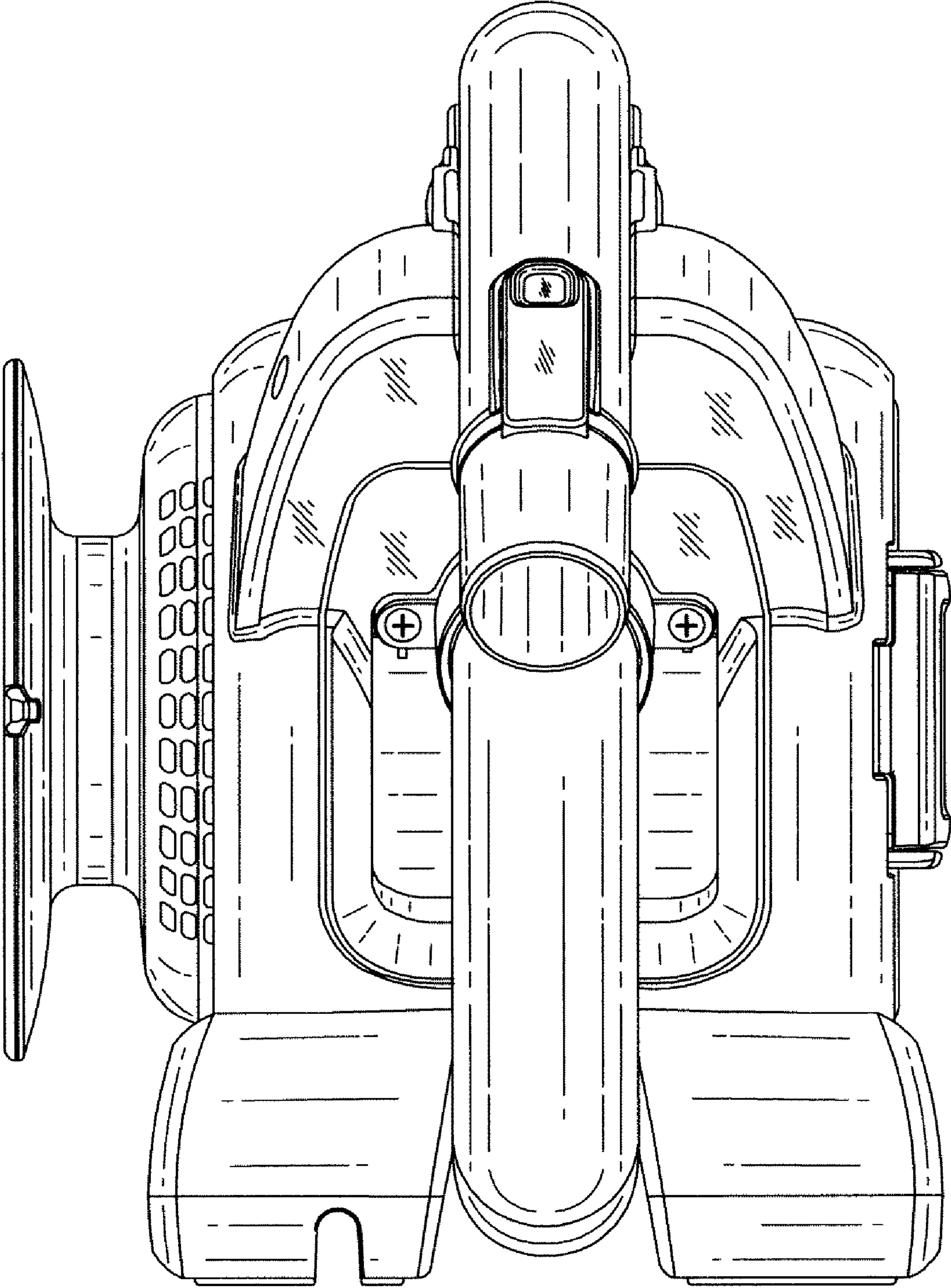


FIG.4

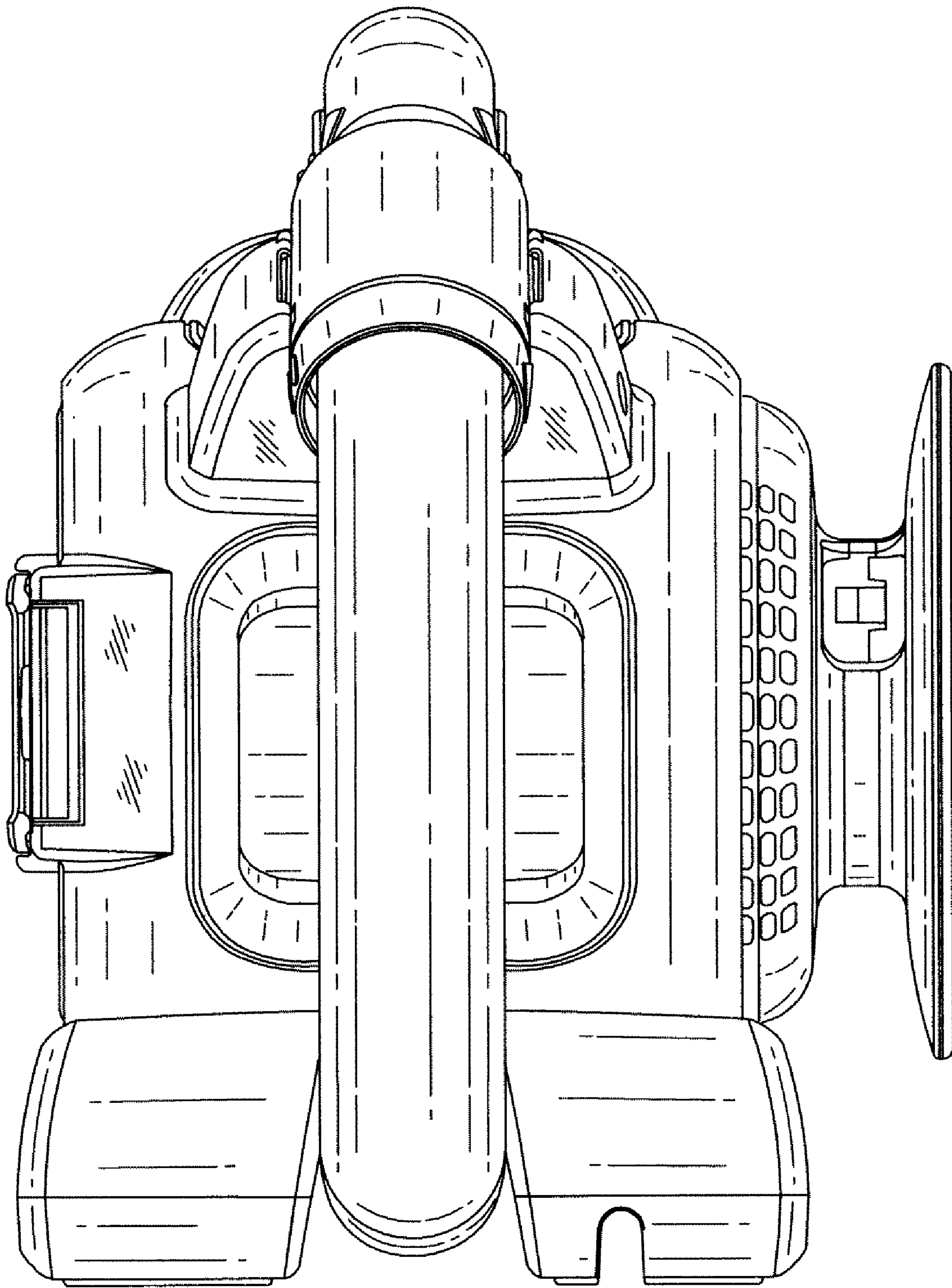


FIG.5

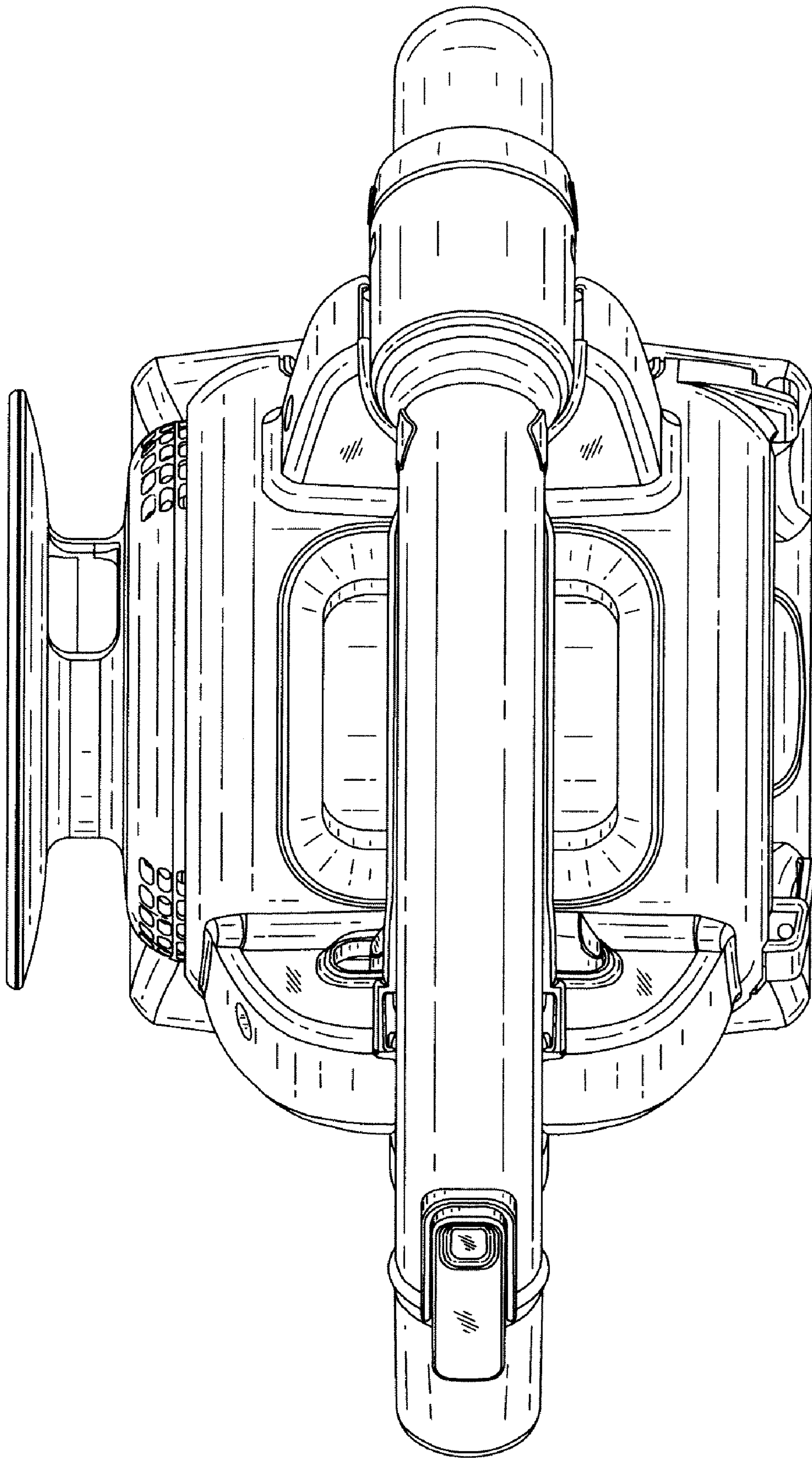


FIG.6

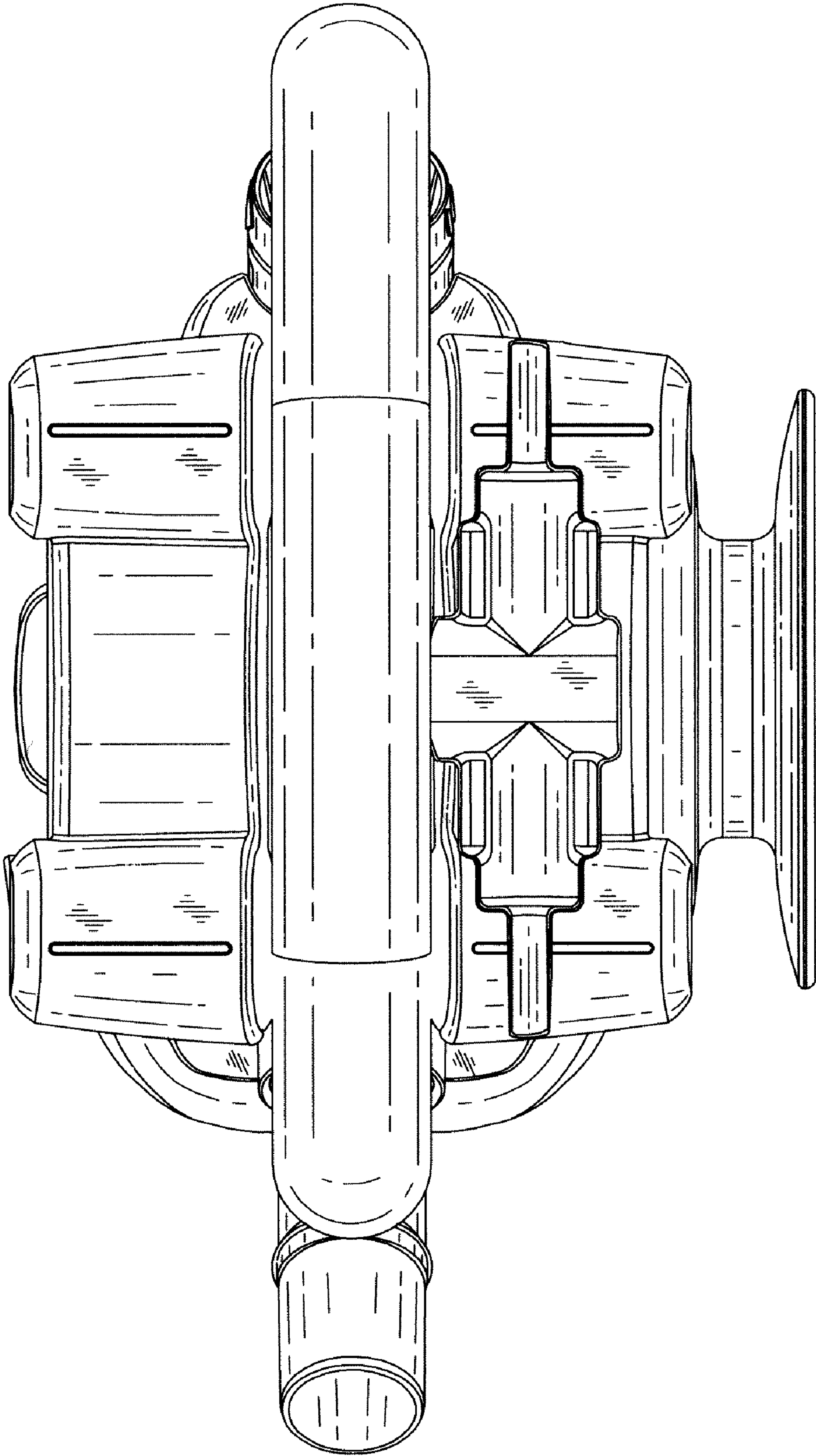


FIG.7