



US00D620207S

(12) **United States Design Patent**
Byrne

(10) **Patent No.:** **US D620,207 S**
(45) **Date of Patent:** **** Jul. 20, 2010**

(54) **PET THROW/CHEW TOY**

(76) **Inventor:** **Charles A. Byrne**, P.O. Box 1645,
Mammoth Lakes, CA (US) 93546

(**) **Term:** **14 Years**

(21) **Appl. No.:** **29/336,412**

(22) **Filed:** **May 4, 2009**

(51) **LOC (9) Cl.** **30-99**

(52) **U.S. Cl.** **D30/160**

(58) **Field of Classification Search** D30/160;
D21/405-406; D24/211-212; 119/702,
119/707-711

See application file for complete search history.

(56) **References Cited**

U.S. PATENT DOCUMENTS

4,924,811	A *	5/1990	Axelrod	119/710
D346,048	S *	4/1994	Jandebeur et al.	D30/160
D348,959	S *	7/1994	Lawson	D30/160
D356,879	S *	3/1995	O'Rourke	D30/160
5,560,320	A *	10/1996	Plunk	119/709
D378,450	S *	3/1997	O'Rourke et al.	D30/160
D382,382	S *	8/1997	Weinacker, Jr.	D30/160
5,912,285	A *	6/1999	Godsey	119/707
D412,606	S *	8/1999	Weinacker, Jr.	D30/160
6,050,224	A *	4/2000	Owens	119/710
6,672,253	B1 *	1/2004	Viola	119/709
D512,189	S *	11/2005	Byrne	D30/160

D513,816	S *	1/2006	Crane et al.	D30/160
D515,253	S *	2/2006	Viola	D30/160
D576,358	S *	9/2008	Rutherford	D30/160
2007/0095302	A1 *	5/2007	Levan	119/708
2009/0151649	A1 *	6/2009	Vardy et al.	119/710

OTHER PUBLICATIONS

Doctors Foster and Smith catalog; p. 12; SofToss Toys #ADB-27099.*

Direct Pet Superstore catalog; p. 3; P-Knot chew toy #31753.*

* cited by examiner

Primary Examiner—Cathy Anne MacCormac

(74) *Attorney, Agent, or Firm*—Kelly Lowry & Kelley, LLP

(57) **CLAIM**

The ornamental design for a pet throw/chew toy, as shown.

DESCRIPTION

FIG. 1 is a top, front and left-side perspective view of a pet throw/chew toy embodying my new design;

FIG. 2 is a left-side elevational view thereof;

FIG. 3 is a right-side elevational view thereof;

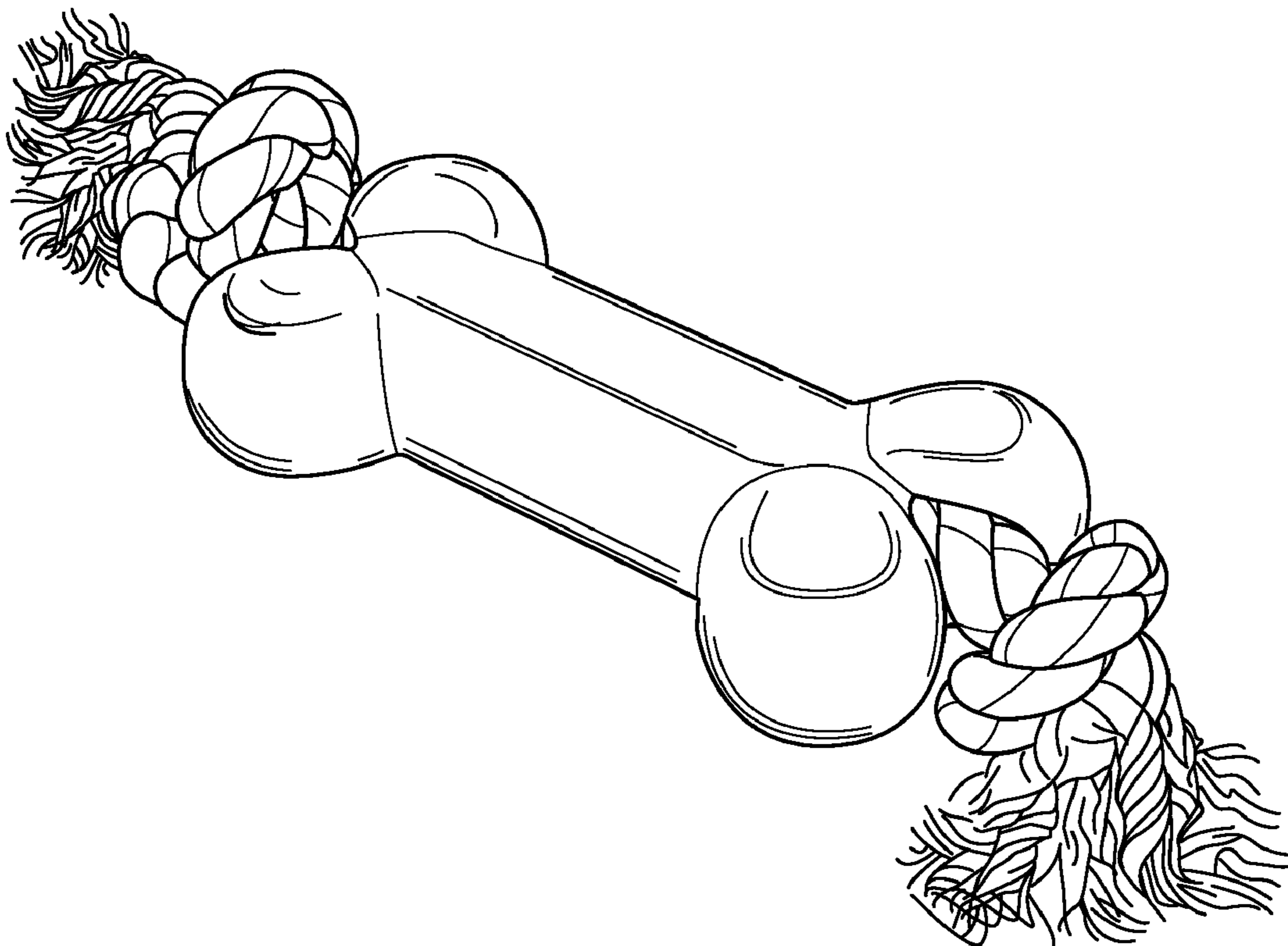
FIG. 4 is a front elevational view thereof;

FIG. 5 is a rear elevational view thereof;

FIG. 6 is a top plan view thereof; and,

FIG. 7 is a bottom plan view thereof.

1 Claim, 2 Drawing Sheets



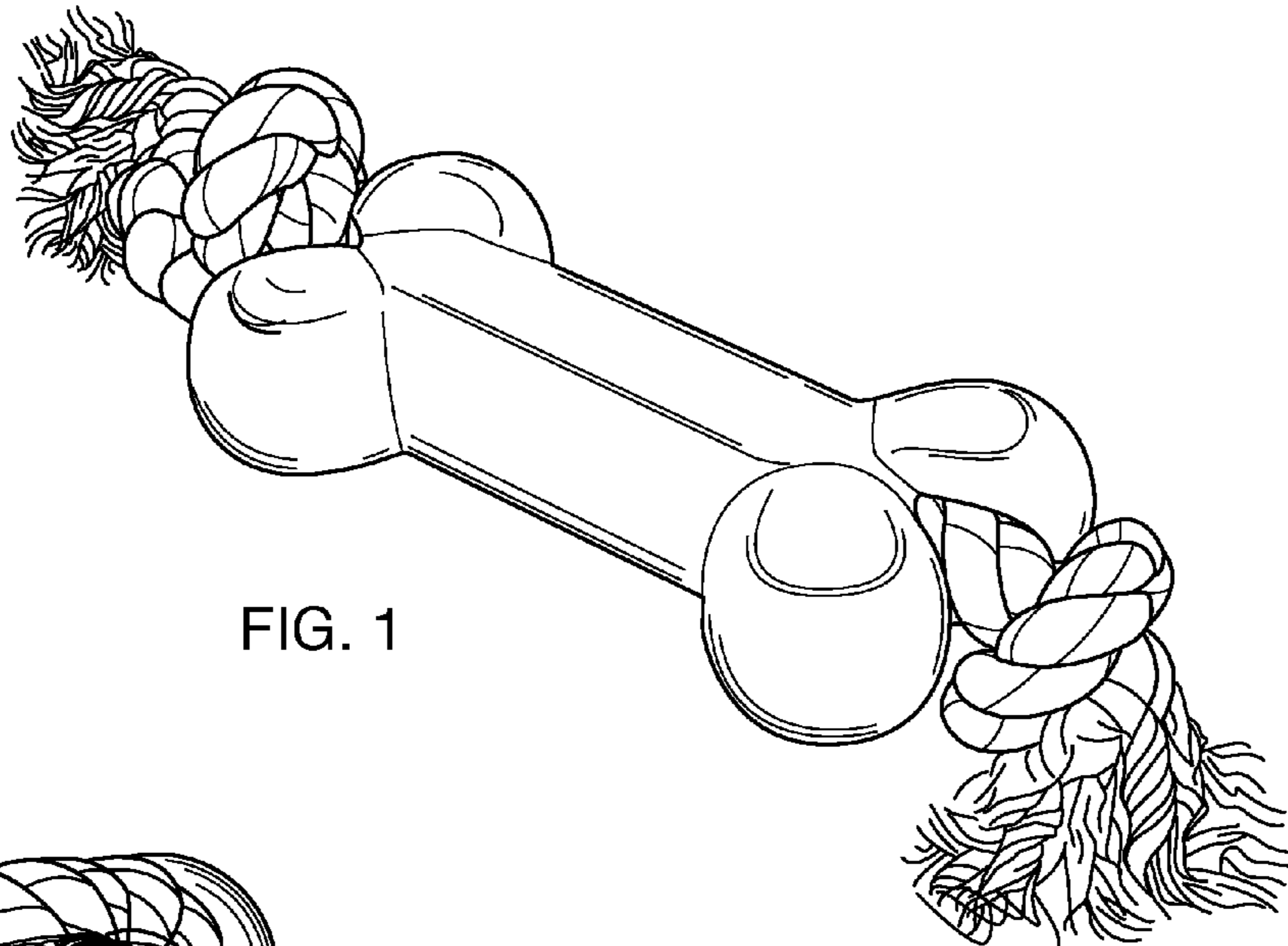


FIG. 1

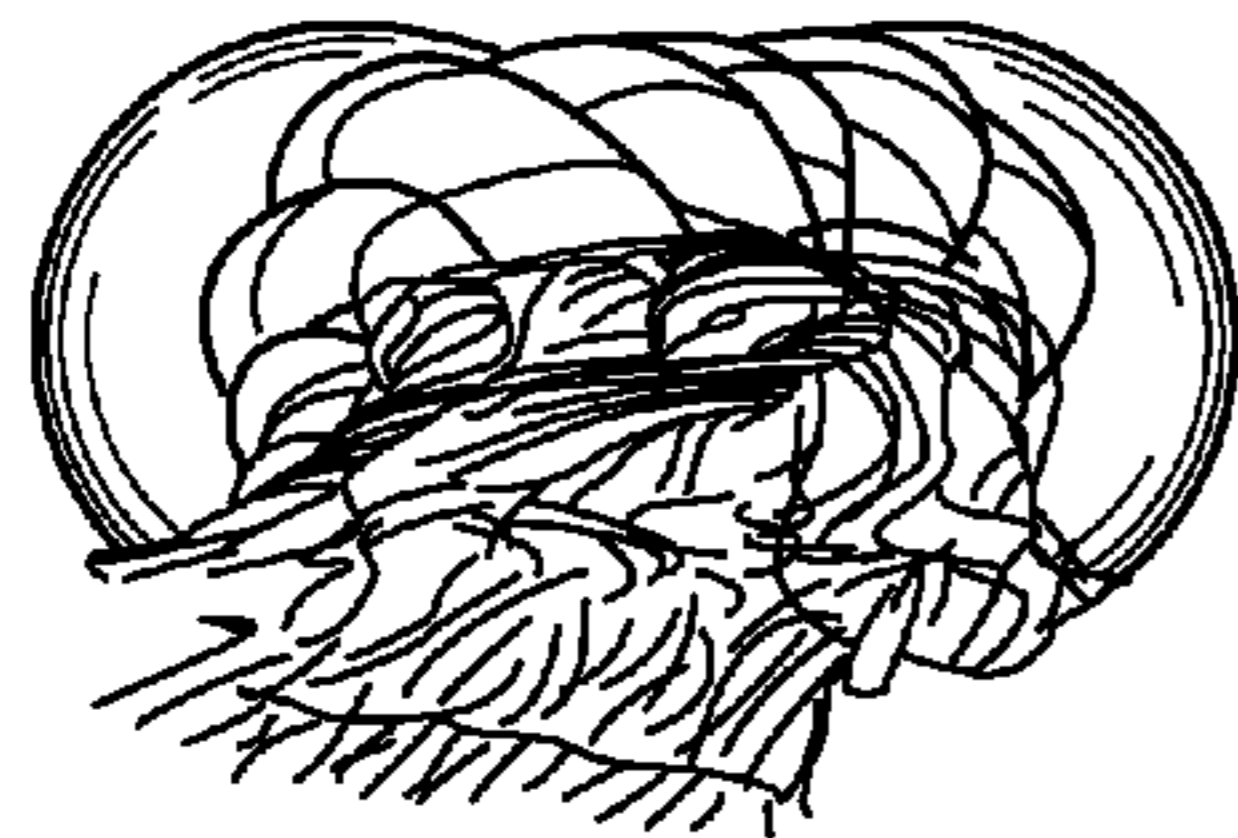


FIG. 2

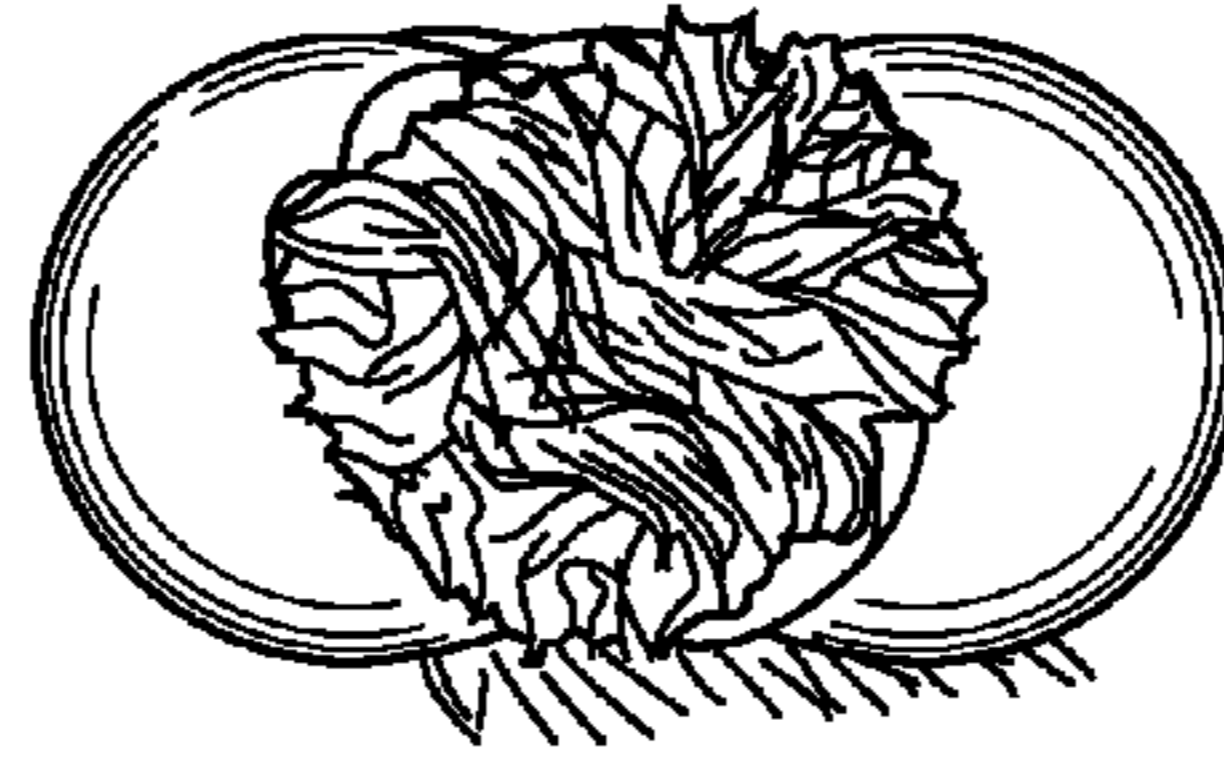


FIG. 3

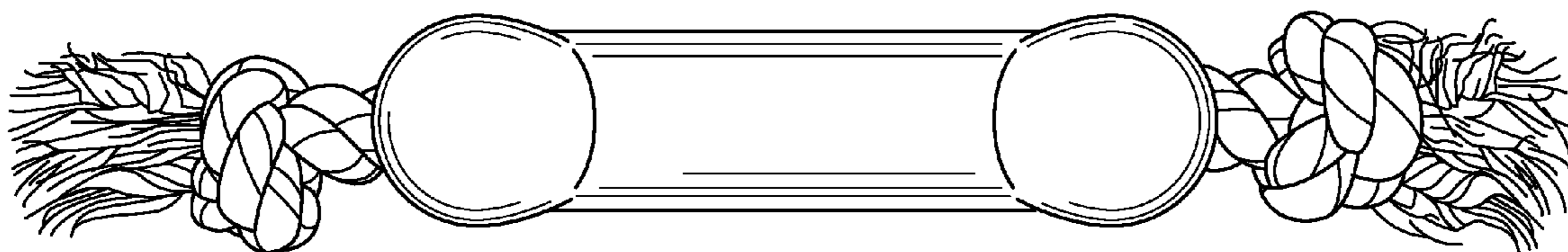


FIG. 4

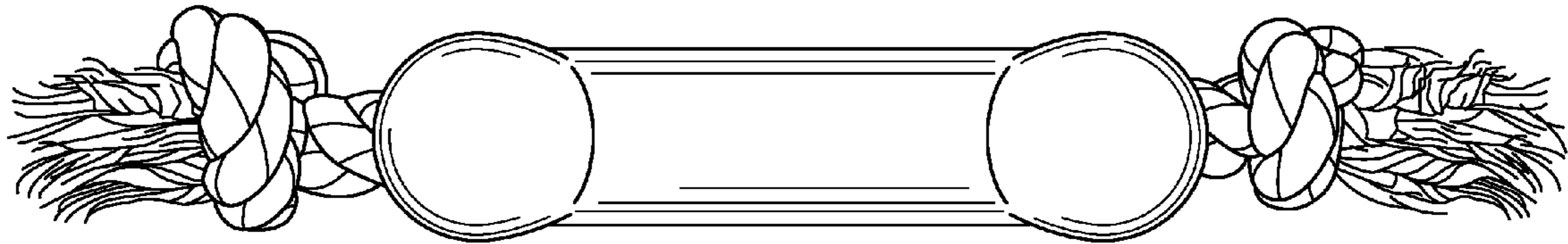


FIG. 5

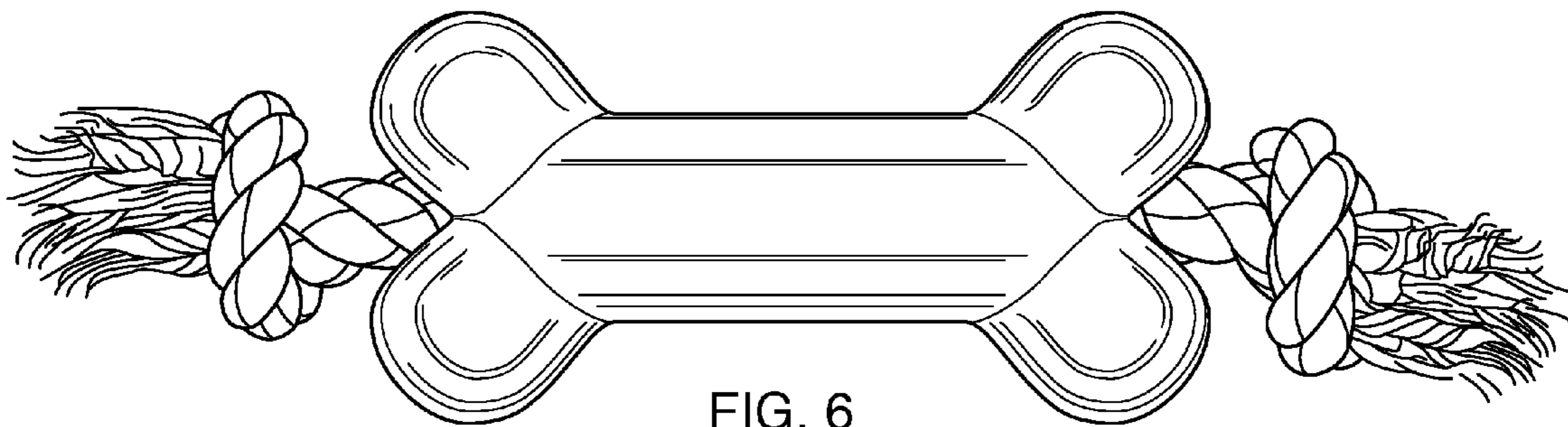


FIG. 6

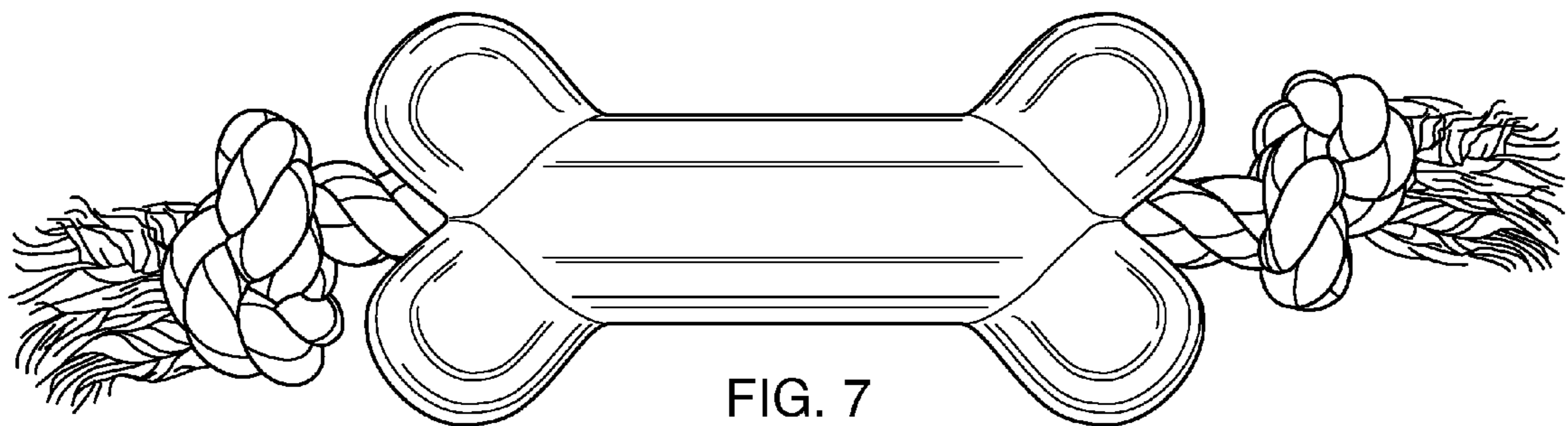


FIG. 7