



US00D620205S

(12) **United States Design Patent**  
**Schiebl**

(10) **Patent No.:** **US D620,205 S**

(45) **Date of Patent:** **\*\* Jul. 20, 2010**

(54) **CHIN GUARD**

(76) **Inventor:** **Paul Schiebl**, 10200 Hempstead Hwy.,  
Suite 2J, Houston, TX (US) 77092

(\*\*) **Term:** **14 Years**

(21) **Appl. No.:** **29/352,154**

(22) **Filed:** **Dec. 17, 2009**

(51) **LOC (9) Cl.** ..... **29-02**

(52) **U.S. Cl.** ..... **D29/122**

(58) **Field of Classification Search** ..... D29/102-111,  
D29/122; 2/9, 410-414, 416-425, 209.13,  
2/906, DIG. 1, 8.1-8.2, 8.6, 8.7, 171.3, 427,  
2/429, 10, 2.5; 62/3.5, 259.3; 128/204.15,  
128/889, 201.24, 201.15, 857-858, 891;  
267/113, 142-146

See application file for complete search history.

(56) **References Cited**

**U.S. PATENT DOCUMENTS**

- 4,051,556 A \* 10/1977 Davenport et al. .... 2/421
- 6,481,024 B1 \* 11/2002 Grant ..... 2/421
- D526,449 S \* 8/2006 Dawson et al. .... D29/122
- D560,315 S \* 1/2008 Wong ..... D29/122

D606,707 S \* 12/2009 Schiebl ..... D29/122

\* cited by examiner

*Primary Examiner*—Lisa P Lichtenstein

(74) *Attorney, Agent, or Firm*—Egbert Law Offices PLLC

(57) **CLAIM**

The ornamental design for a chin guard, as shown and described.

**DESCRIPTION**

FIG. 1 is an upper perspective view of the chin guard showing my new design.

FIG. 2 is a front elevation view thereof;

FIG. 3 is a back elevation view thereof;

FIG. 4 is a side elevation view thereof;

FIG. 5 is an opposite side elevation view thereof;

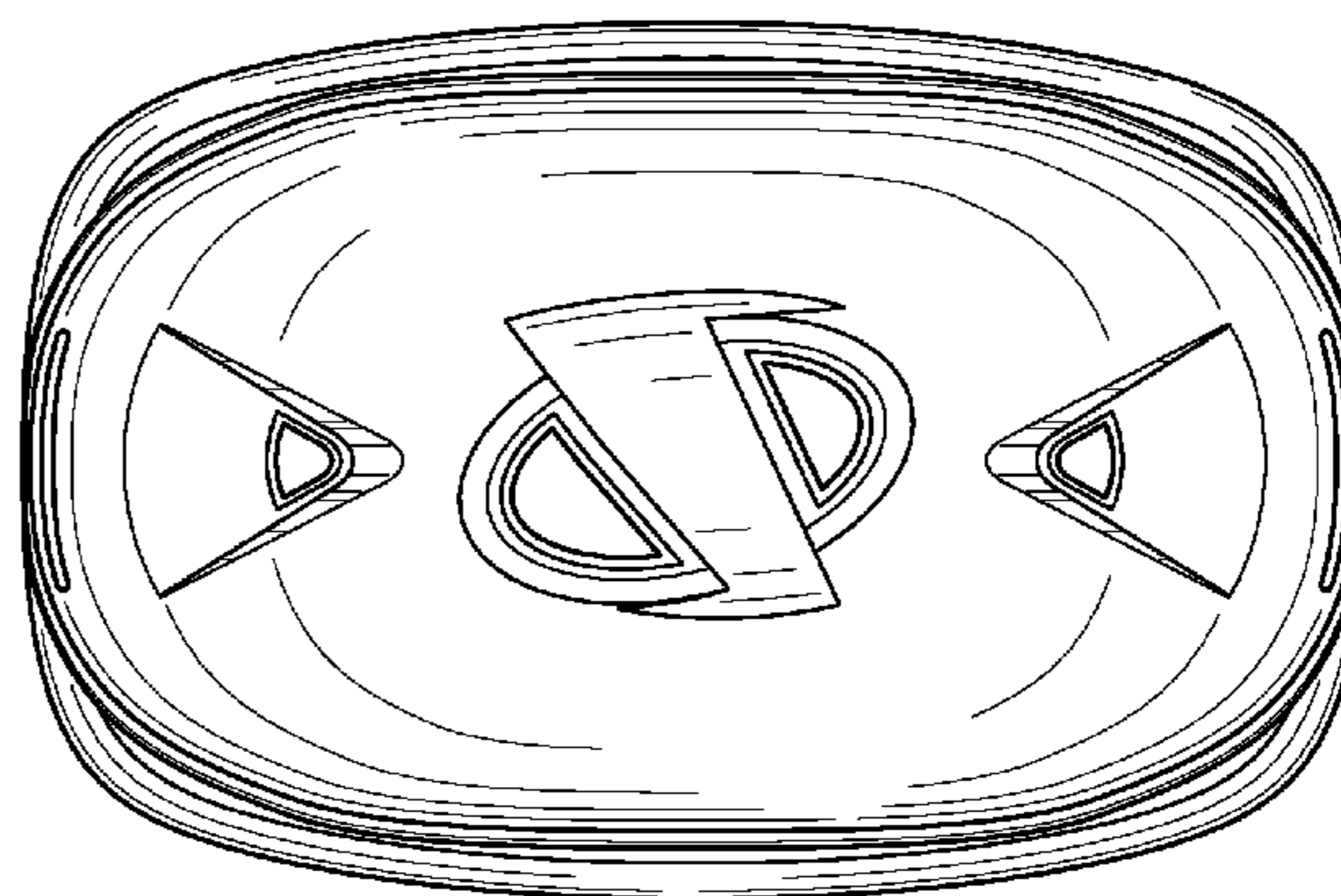
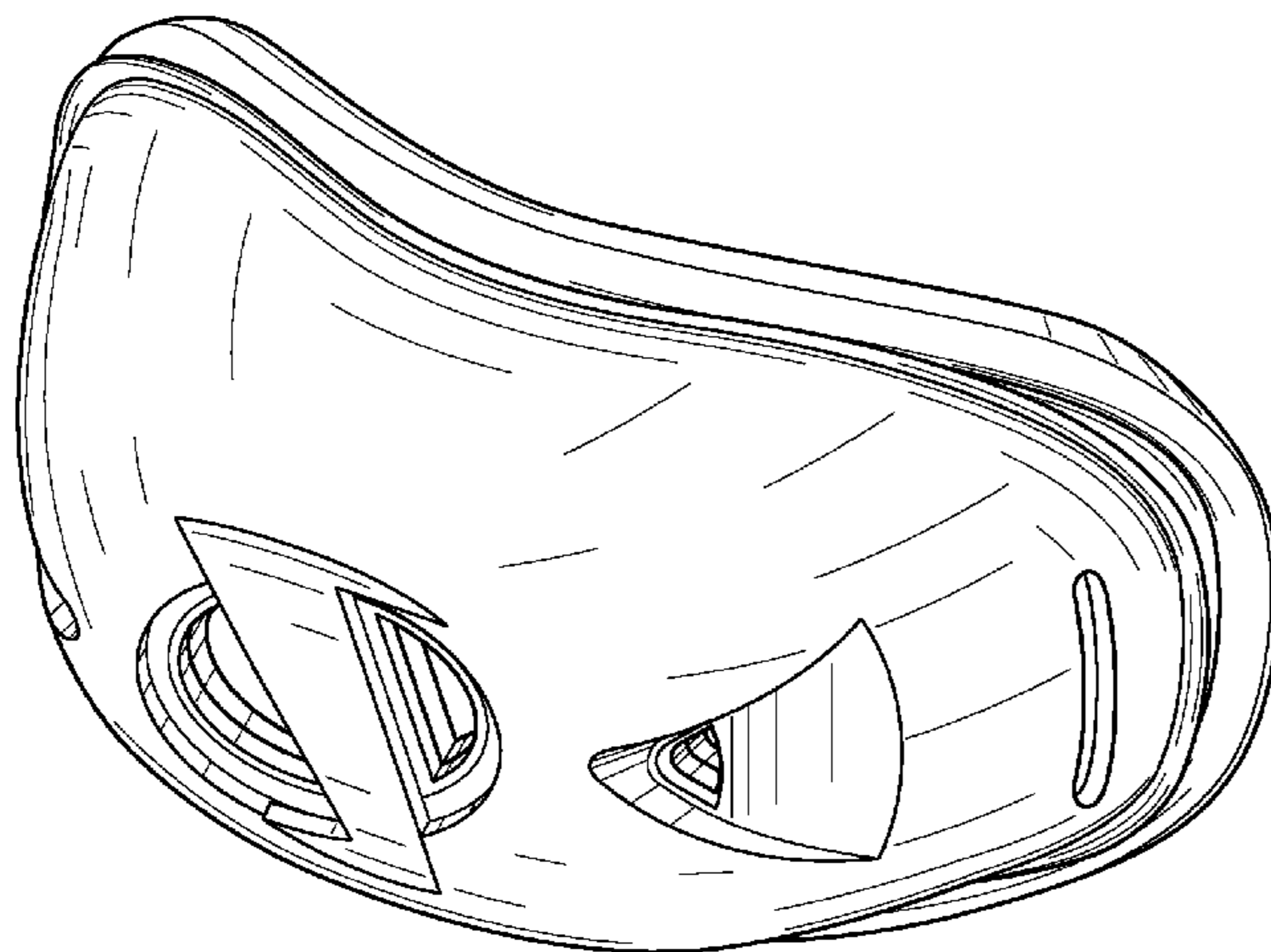
FIG. 6 is an end elevation view thereof;

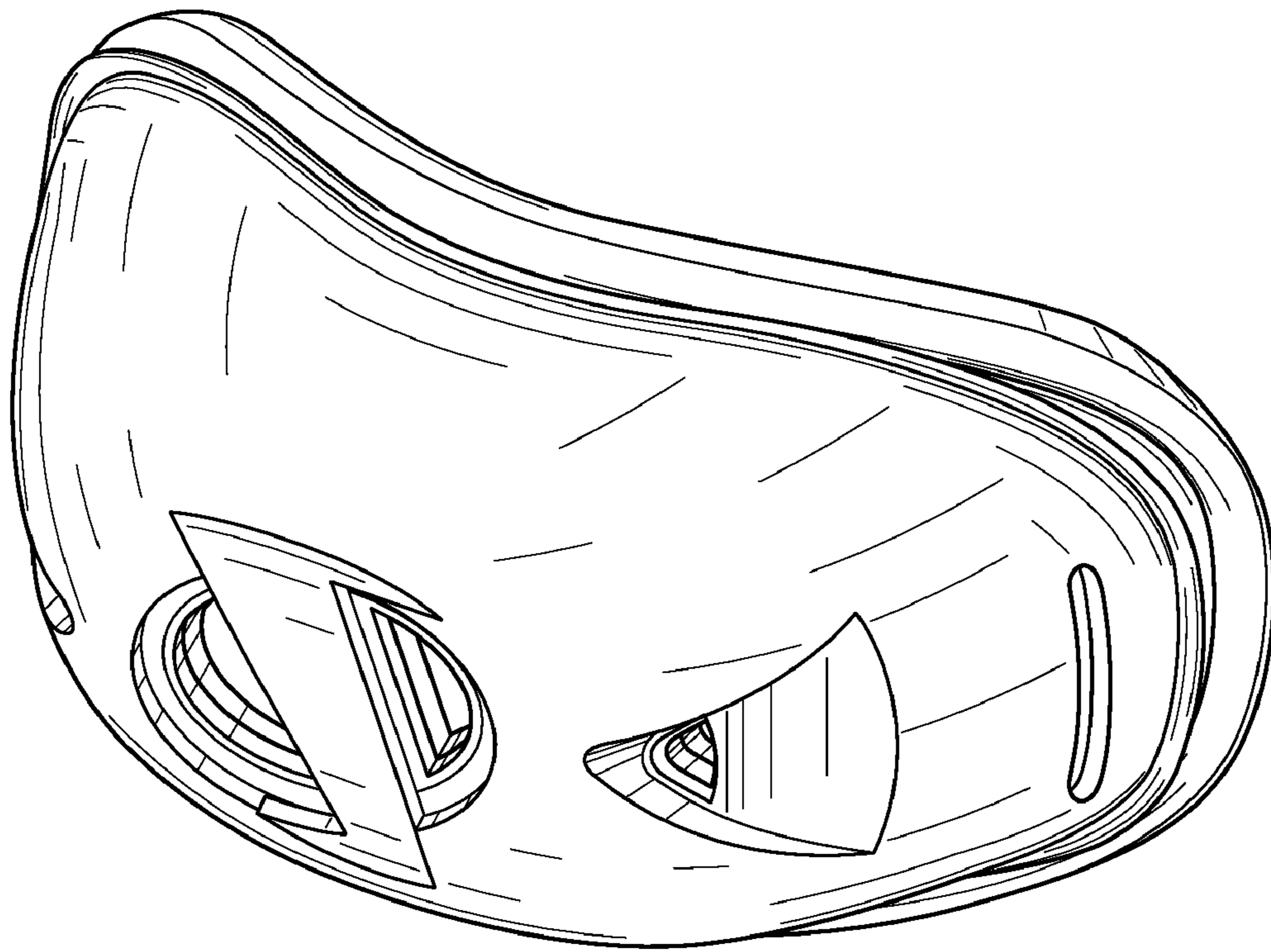
FIG. 7 is an opposite end elevation view thereof; and,

FIG. 8 is an exploded perspective view thereof.

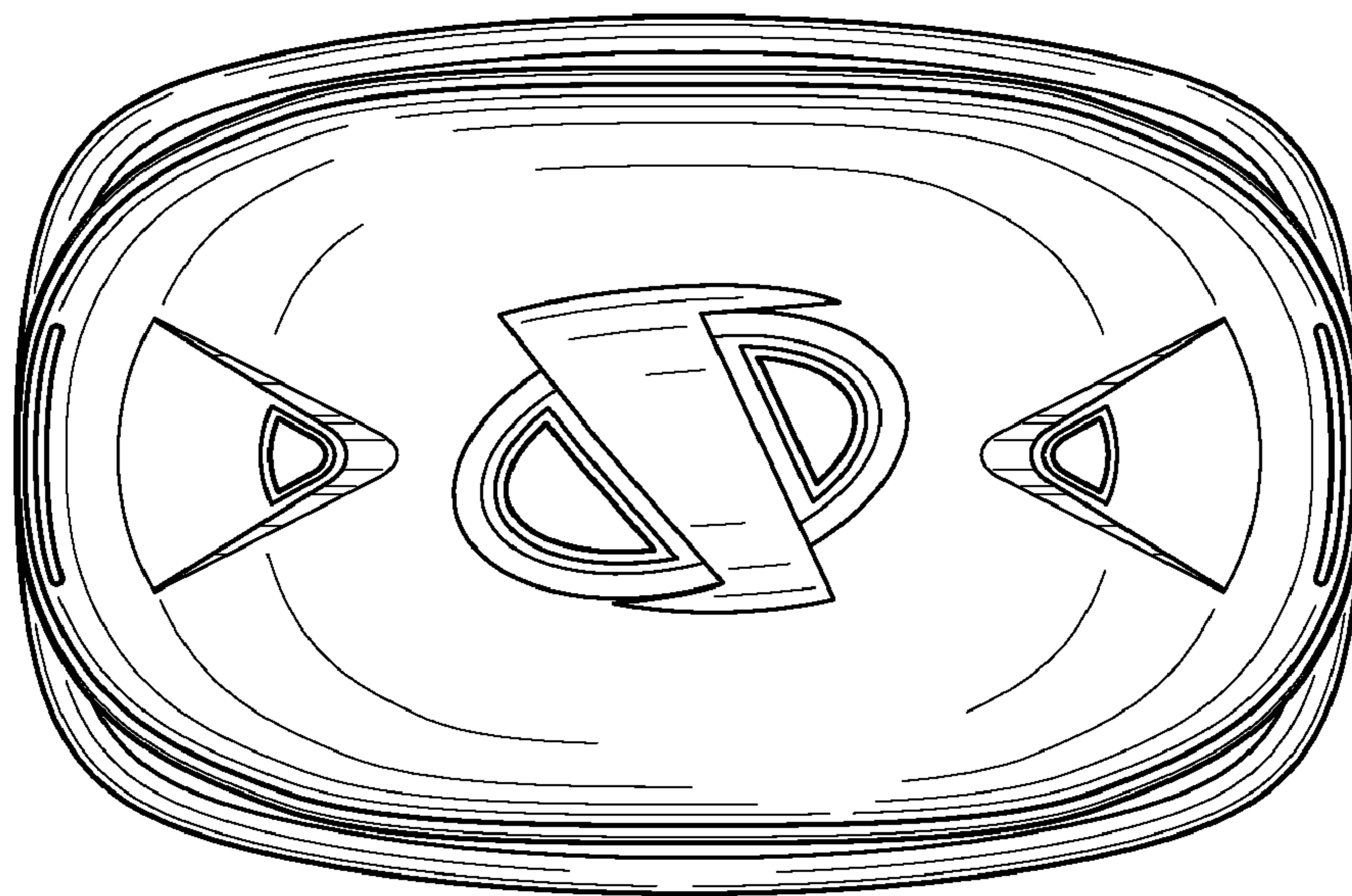
The chin guard is an accessory for athletic equipment, such as a football helmet with a strap.

**1 Claim, 3 Drawing Sheets**





*FIG. 1*



*FIG. 2*

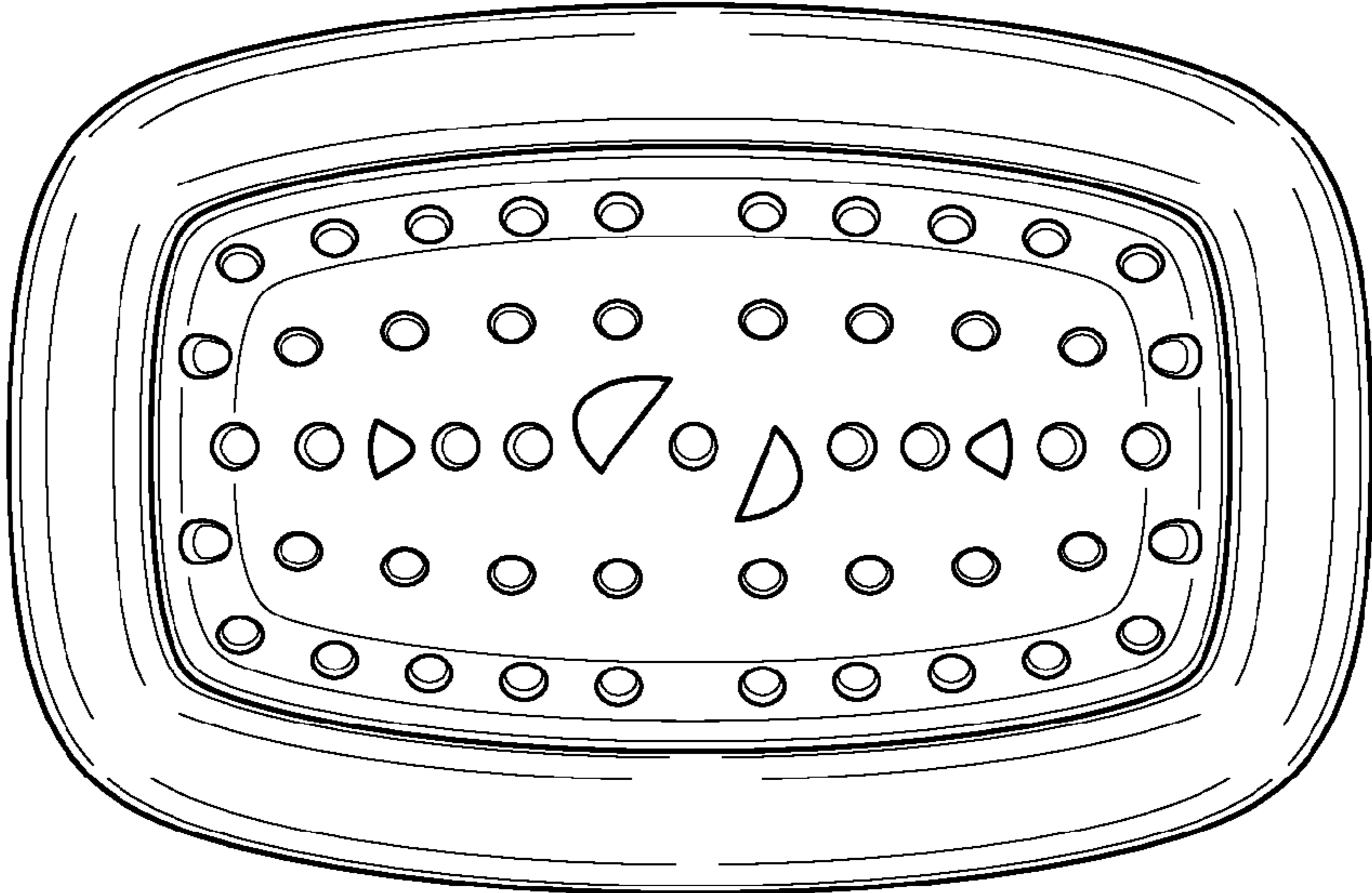


FIG. 3

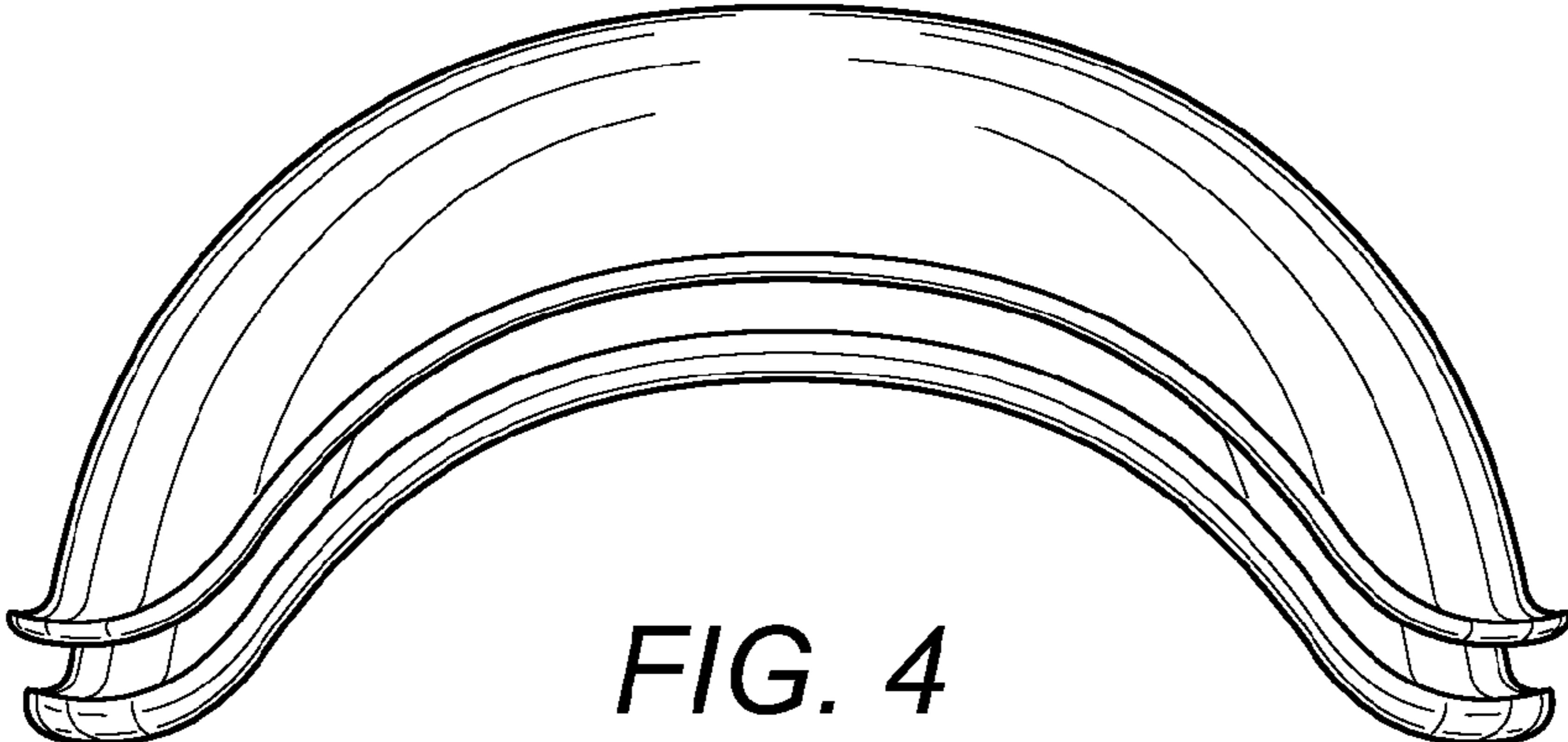


FIG. 4

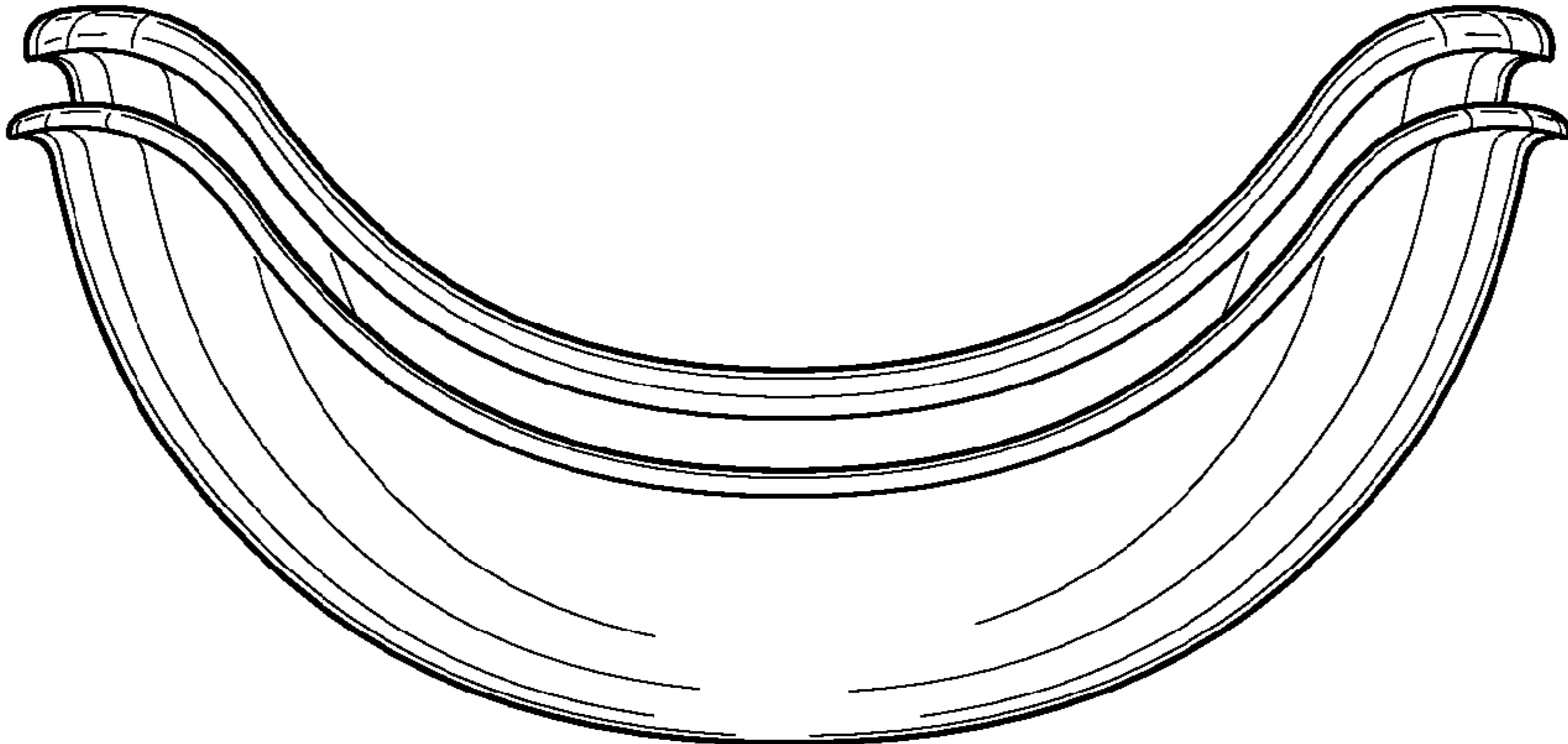


FIG. 5



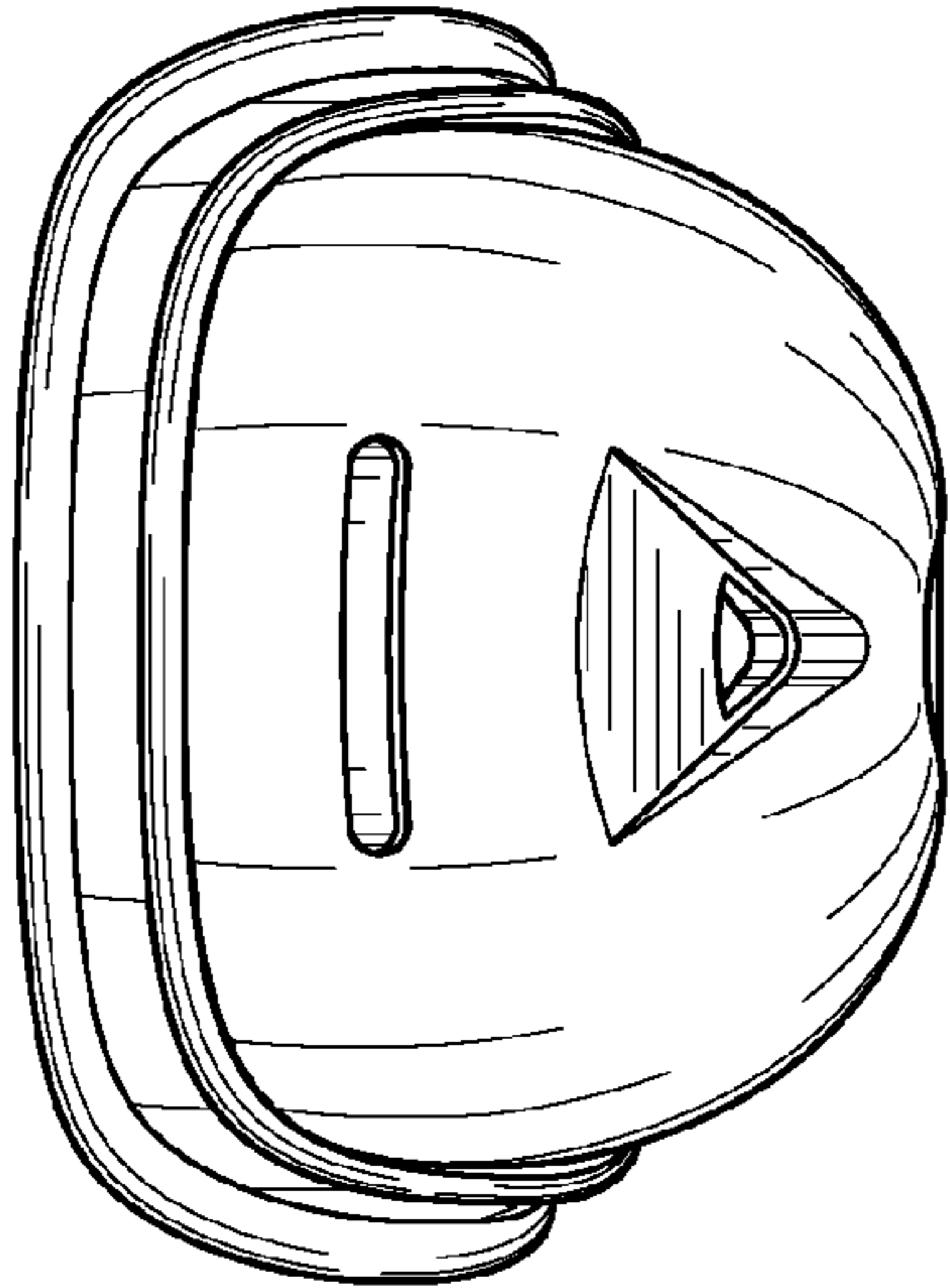


FIG. 6

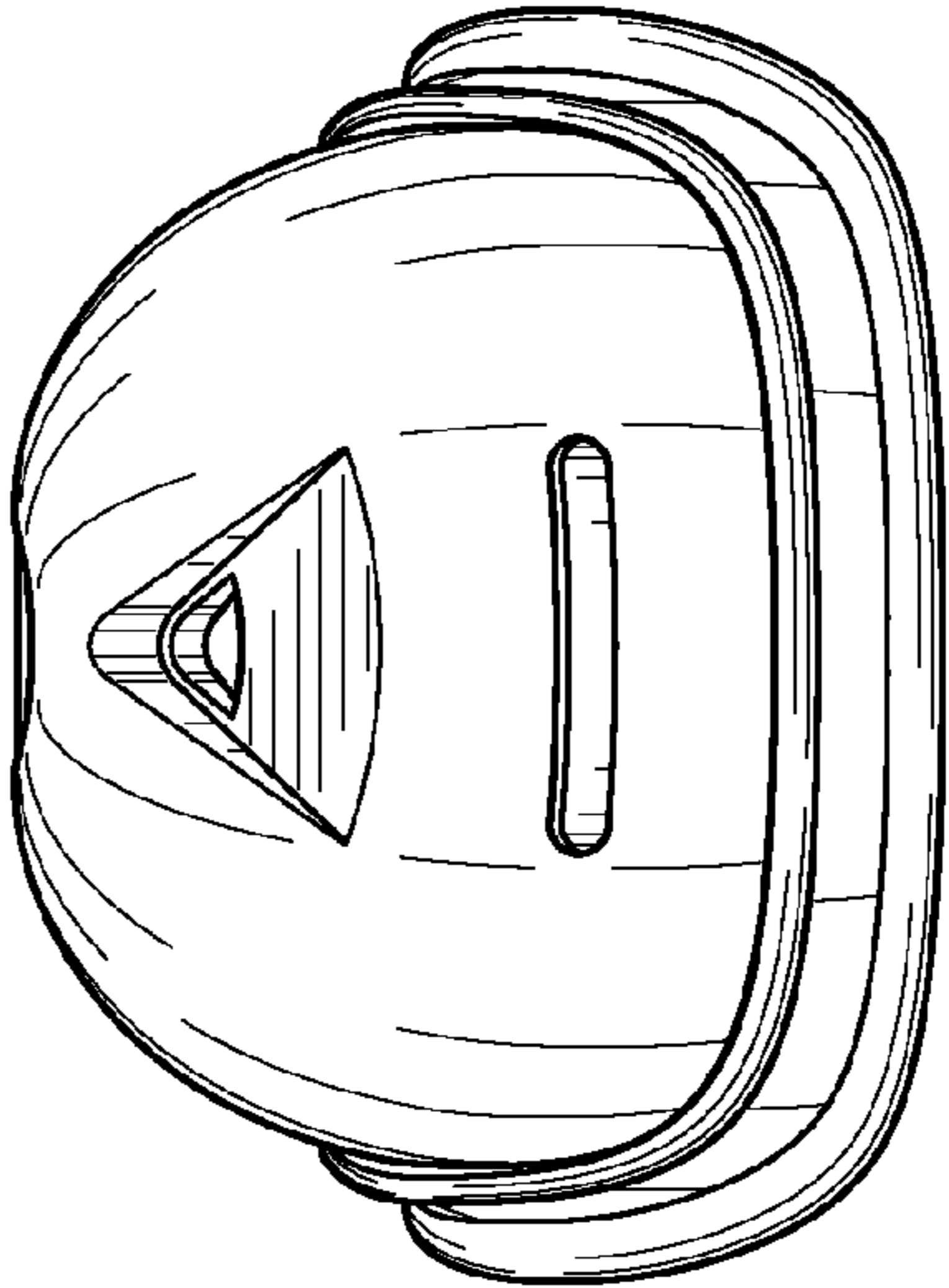


FIG. 7

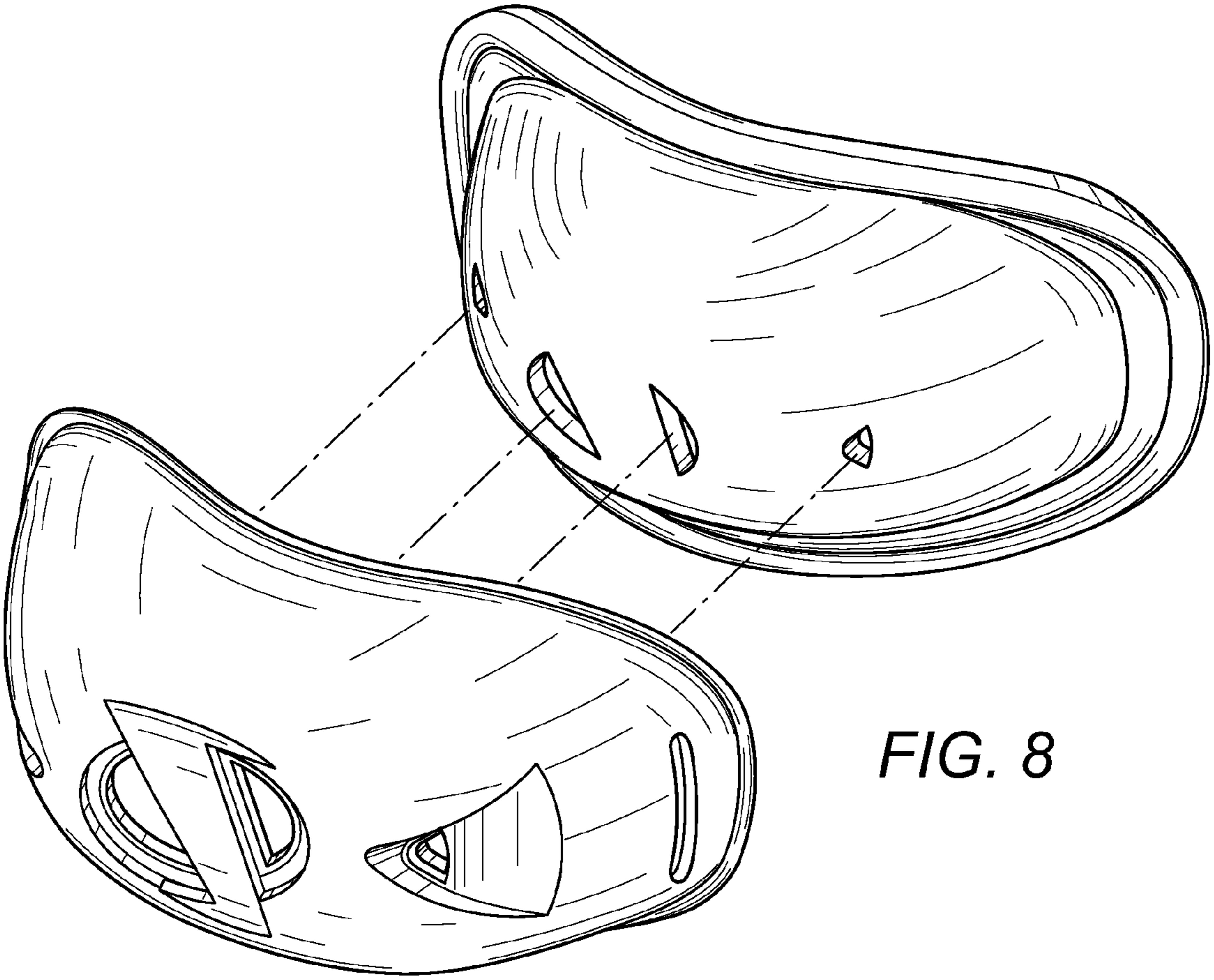


FIG. 8