



US00D620203S

(12) **United States Design Patent**  
**Broersma**

(10) **Patent No.:** **US D620,203 S**

(45) **Date of Patent:** **\*\* \*Jul. 20, 2010**

(54) **BATTER'S HELMET WITH FACE GUARD  
HAVING TRANSPARENT SHIELD**

(75) Inventor: **Lester Broersma**, San Diego, CA (US)

(73) Assignee: **Rawlings Sporting Goods Company,  
Inc.**, St. Louis, MO (US)

(\*\*) Term: **14 Years**

(21) Appl. No.: **29/289,832**

(22) Filed: **Aug. 2, 2007**

(51) **LOC (9) Cl.** ..... **29-02**

(52) **U.S. Cl.** ..... **D29/107**

(58) **Field of Classification Search** ..... D29/102-111,  
D29/122; 2/410-414, 416-425, 5, 6.6-6.8,  
2/9

See application file for complete search history.

(56) **References Cited**

U.S. PATENT DOCUMENTS

3,042,927 A	7/1962	Mauro et al.	
3,897,597 A	8/1975	Kasper	
3,984,875 A	10/1976	Farquharson	
4,021,858 A	5/1977	Neeld et al.	
4,031,564 A	6/1977	Wood	
4,495,657 A	1/1985	Bay	
D288,980 S	3/1987	Pernicka	
D289,569 S *	4/1987	Nimmons	D29/111
D309,512 S *	7/1990	Crow	D29/105
D358,686 S *	5/1995	Kraemer	D29/111
5,412,814 A	5/1995	Pernicka et al.	
D360,488 S	7/1995	Cardinal	
5,483,699 A	1/1996	Pernicka et al.	
5,539,936 A	7/1996	Thomas	
D385,662 S *	10/1997	Paglucci et al.	D29/105
D389,958 S *	1/1998	Kinkead	D29/102
5,815,848 A	10/1998	Jarvis	
D402,414 S *	12/1998	Smith	D29/106
6,038,705 A	3/2000	Jarvis	
6,301,719 B1	10/2001	Goodhand et al.	
D479,019 S *	8/2003	Lishen	D29/102
D479,367 S	9/2003	Udelhofen	
D508,298 S *	8/2005	Bernacchi et al.	D29/111

D511,225 S *	11/2005	Brown et al.	D29/106
D512,534 S *	12/2005	Maddux et al.	D29/106
D514,259 S *	1/2006	Brown et al.	D29/106
D552,800 S *	10/2007	Ho	D29/105
D557,462 S	12/2007	Brown	
D557,463 S	12/2007	Brown	
D575,458 S	8/2008	Ho	
D592,809 S	5/2009	Broersma	
D596,803 S	7/2009	Broersma	
D596,804 S	7/2009	Broersma	
D598,167 S	8/2009	Broersma	

OTHER PUBLICATIONS

U.S. Appl. No. 11/888,816 filed Aug. 2, 2007 and International Search Report issued Nov. 3, 2008 in corresponding PCT/US2008/071754 (copy enclosed).

U.S. Appl. No. 12/550,514 filed Aug. 31, 2009.

U.S. Appl. No. 12/040,552 filed Feb. 29, 2008 and corresponding PCT/US09/03229.

Shields I-Pro Athletic FaceShields for baseball, printout from website dated Feb. 8, 2007 (6 pages) (copy enclosed).

\* cited by examiner

*Primary Examiner*—Ruth McInroy

(74) *Attorney, Agent, or Firm*—Stinson Morrison Hecker LLP

(57) **CLAIM**

The ornamental design for a batter's helmet with face guard having transparent shield, as shown and described.

**DESCRIPTION**

FIG. 1 is a front perspective view of a batter's helmet with face guard having transparent shield showing my new design;

FIG. 2 is a front elevational view thereof;

FIG. 3 is a rear elevational view thereof;

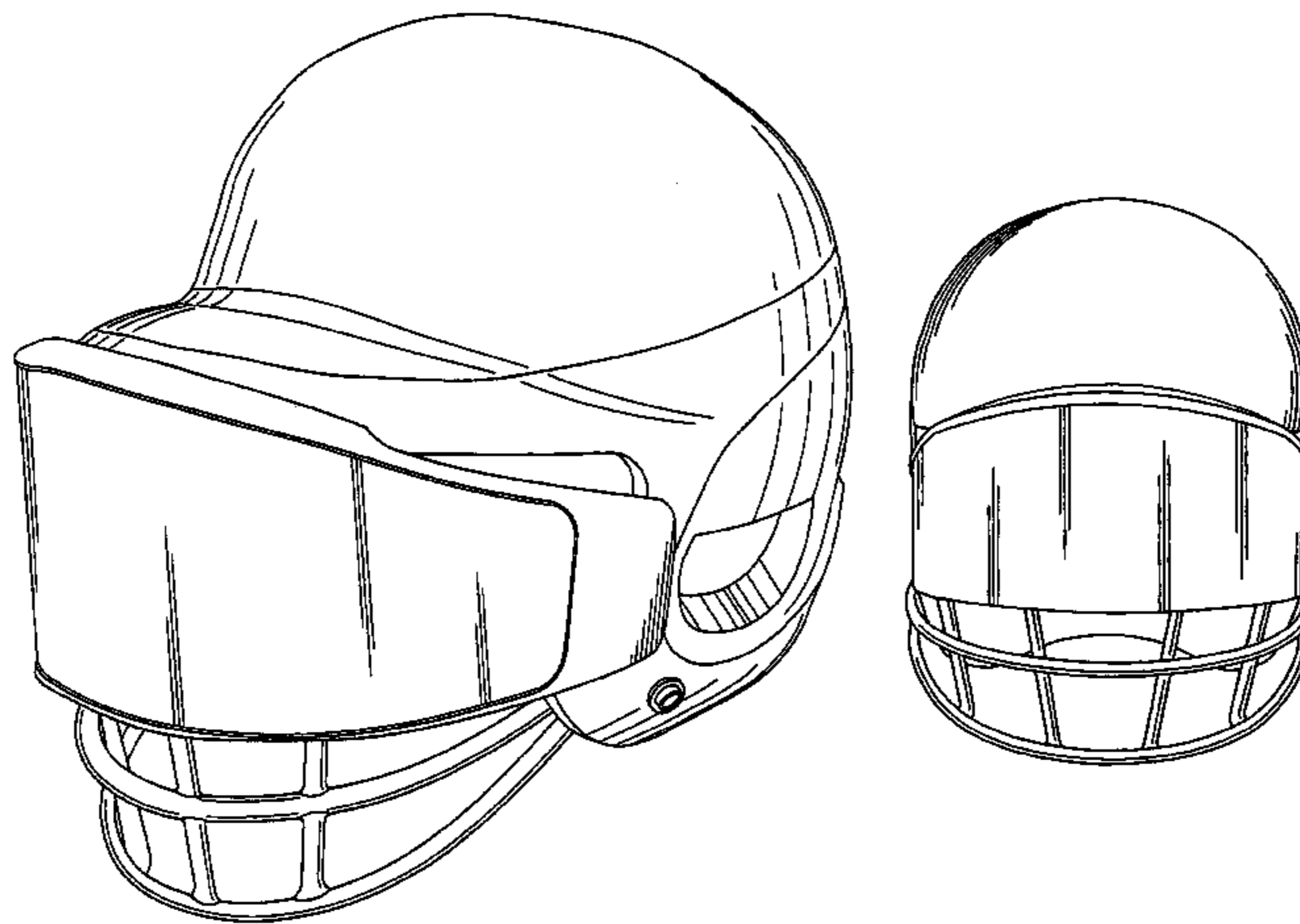
FIG. 4 is a right side elevational view thereof;

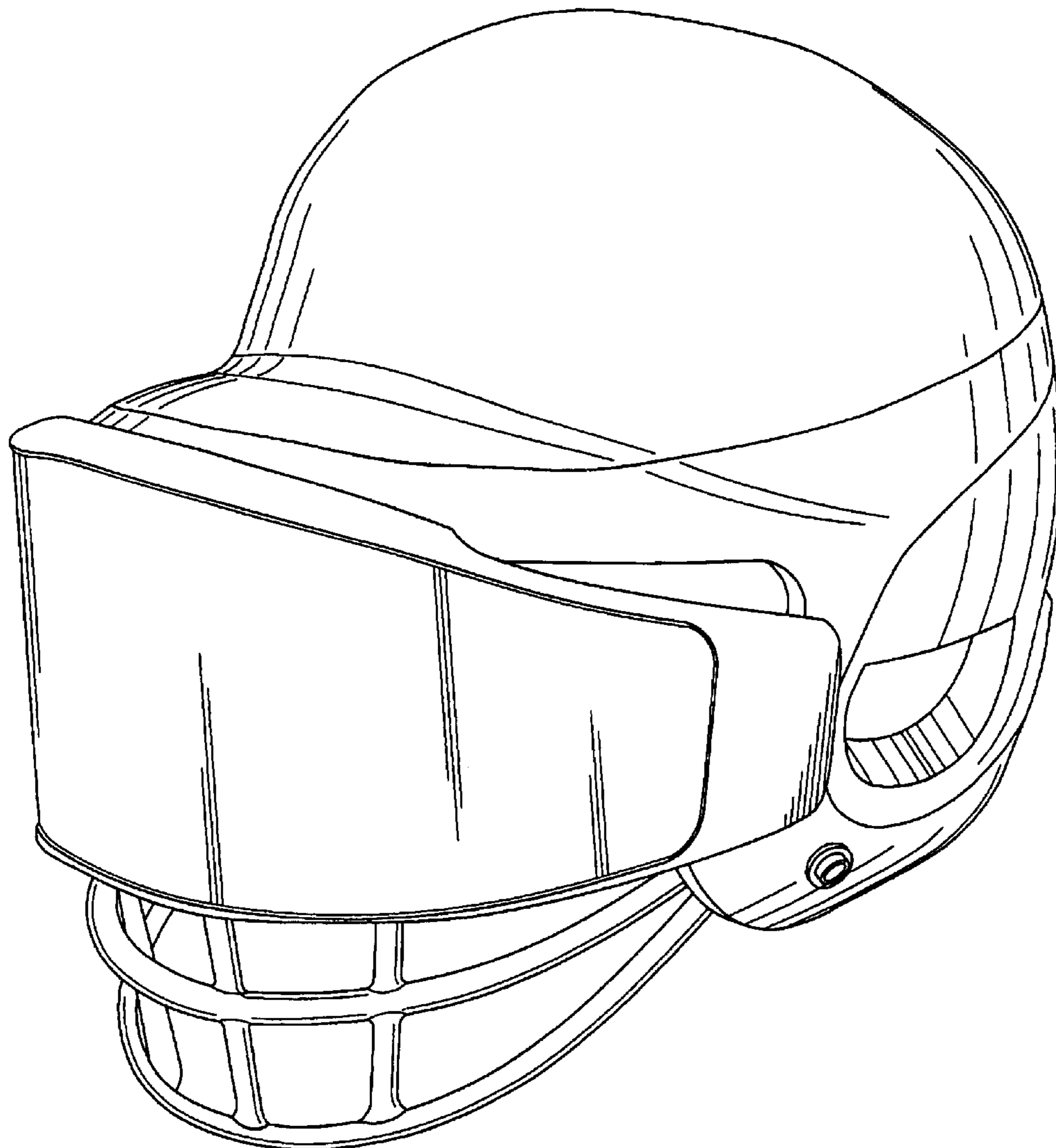
FIG. 5 is a left side elevational view thereof;

FIG. 6 is a top plan view thereof; and,

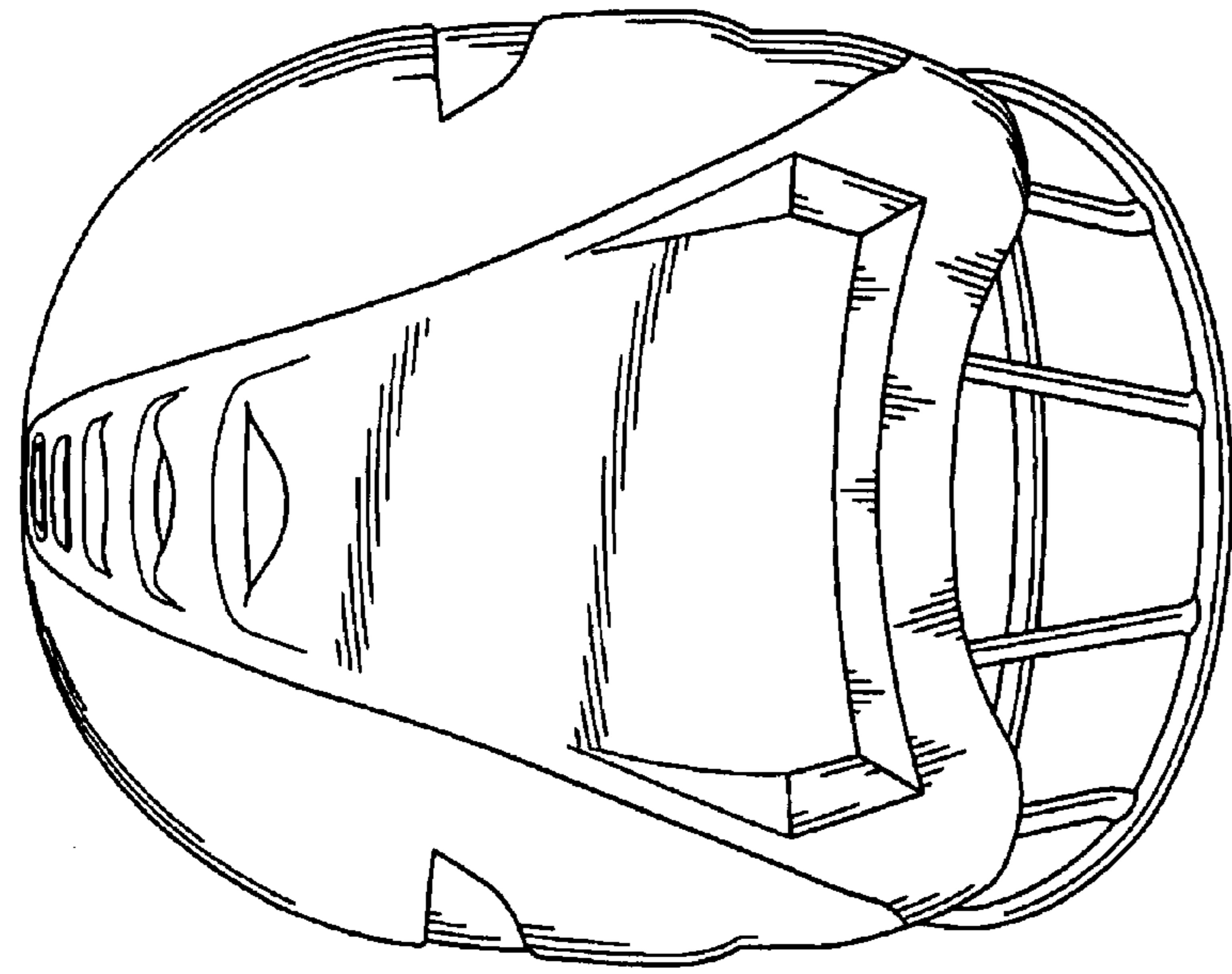
FIG. 7 is a bottom plan view thereof.

**1 Claim, 4 Drawing Sheets**

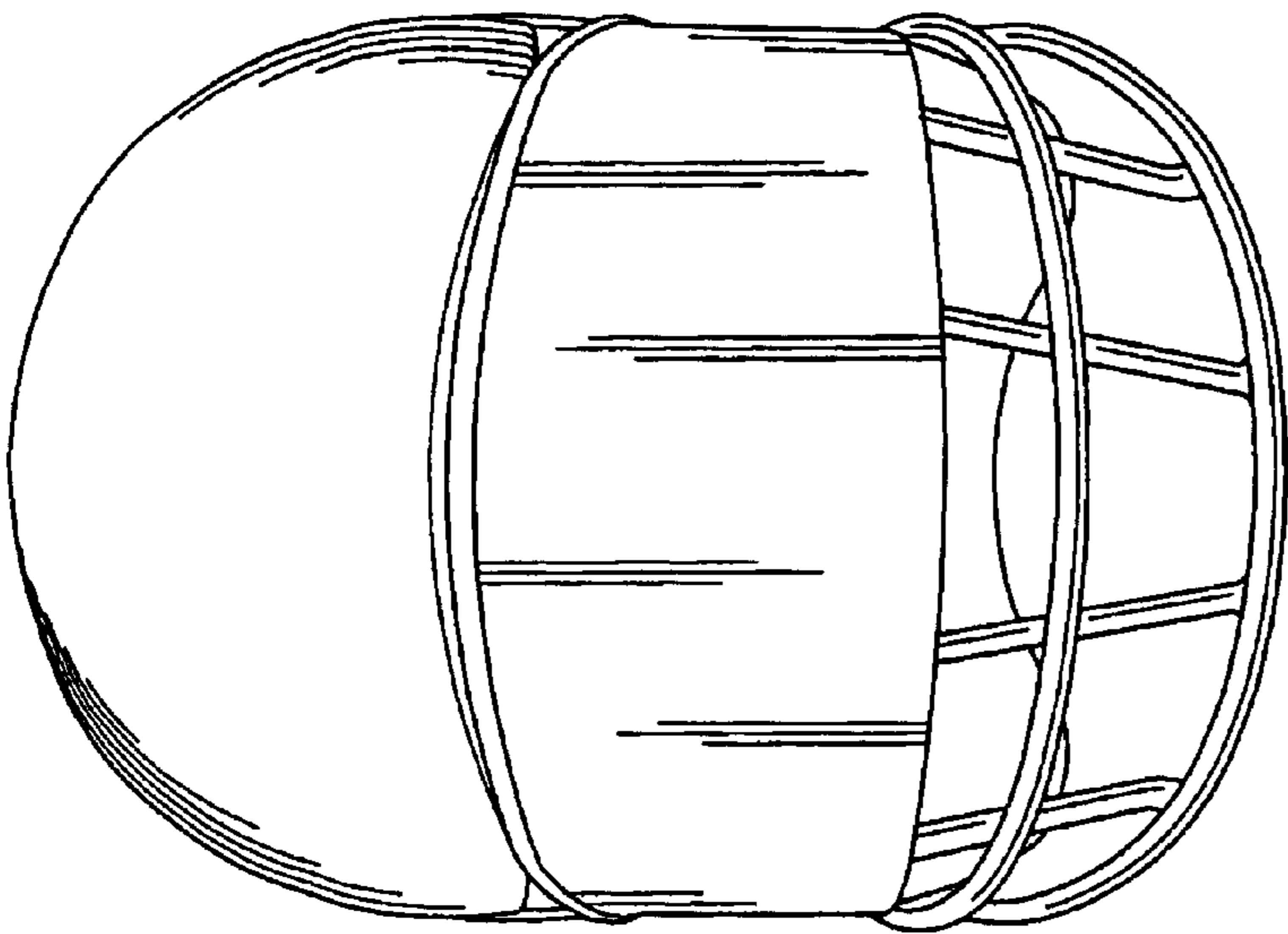




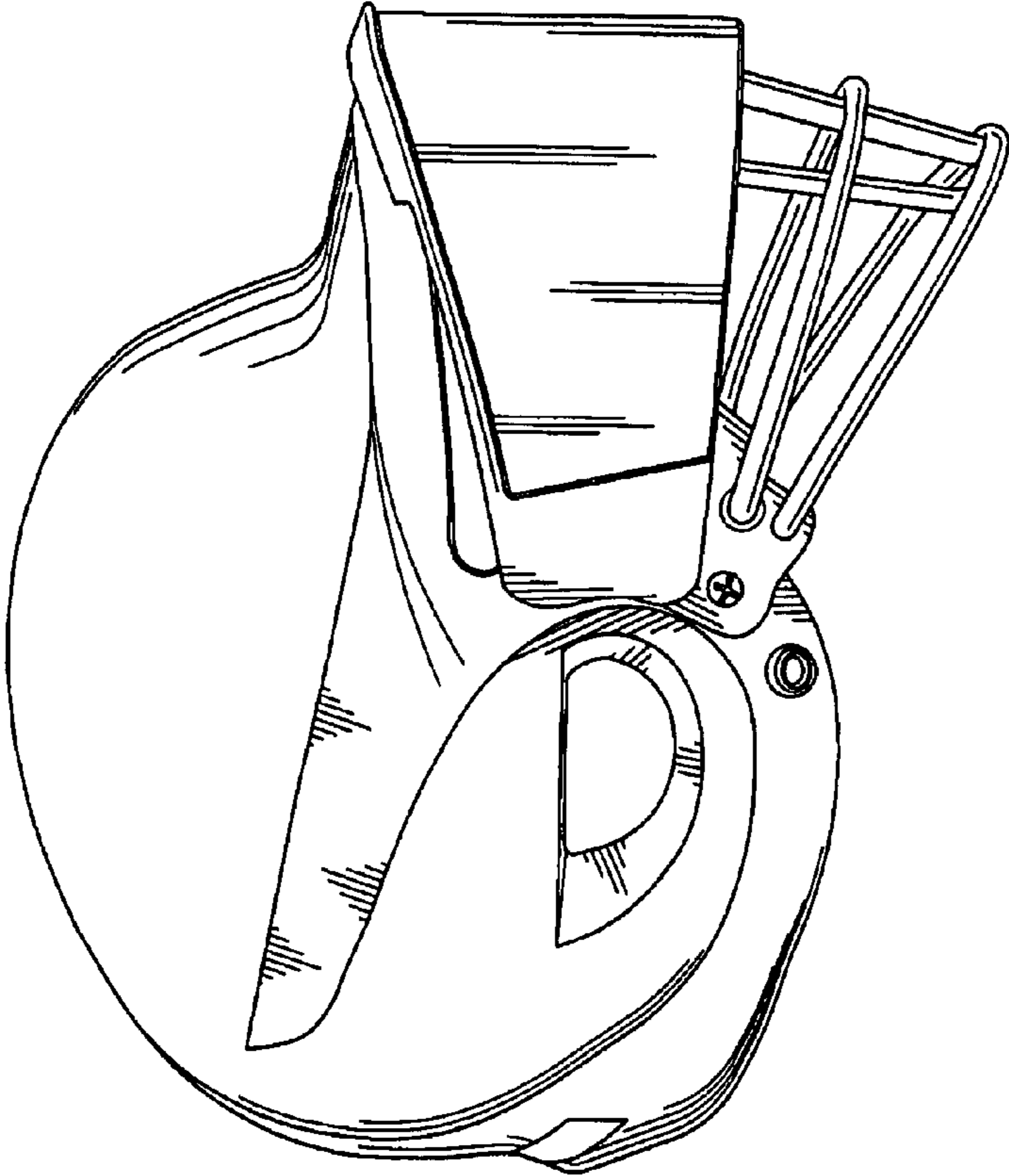
*FIG. 1*



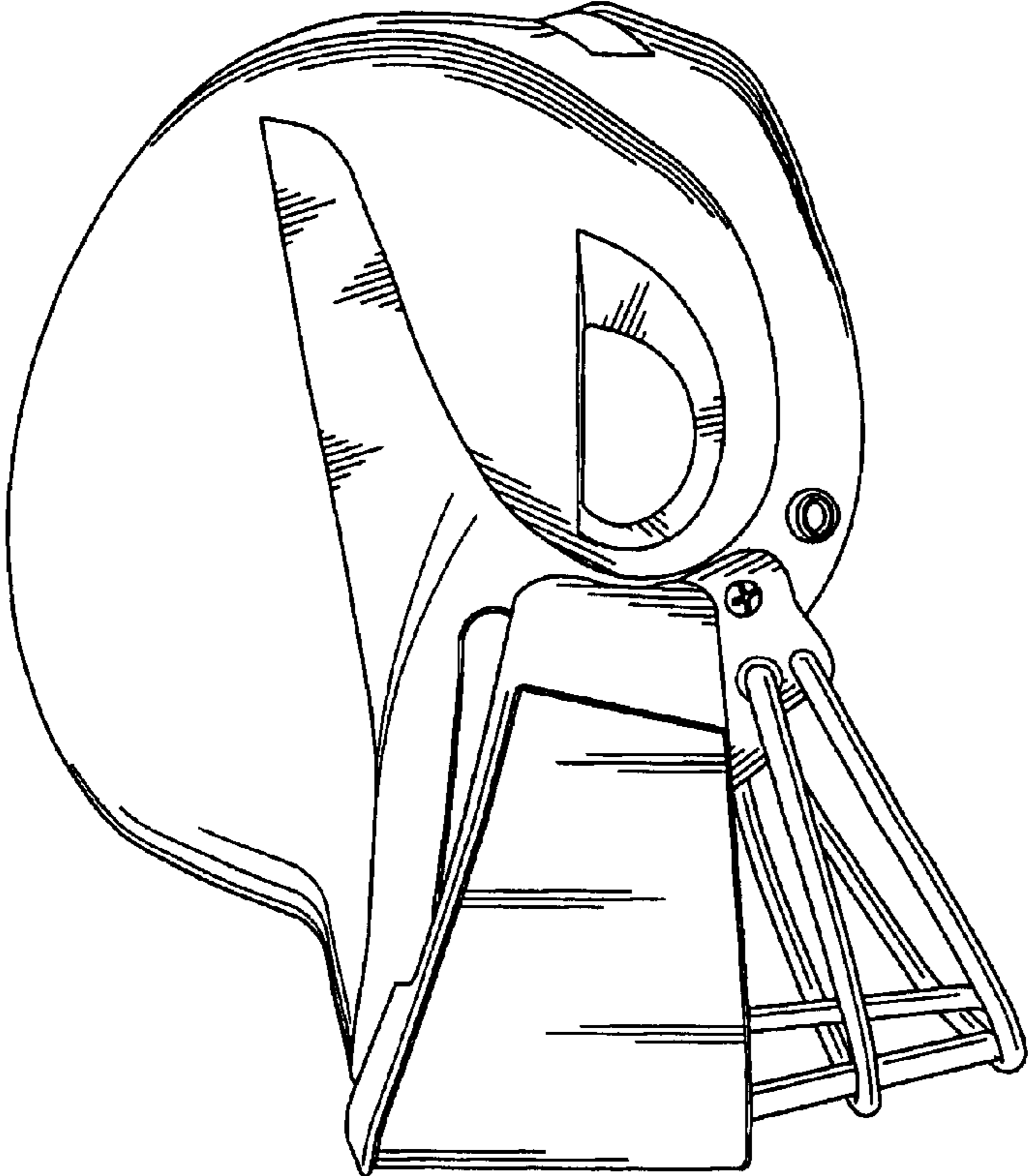
*FIG. 2*



*FIG. 3*

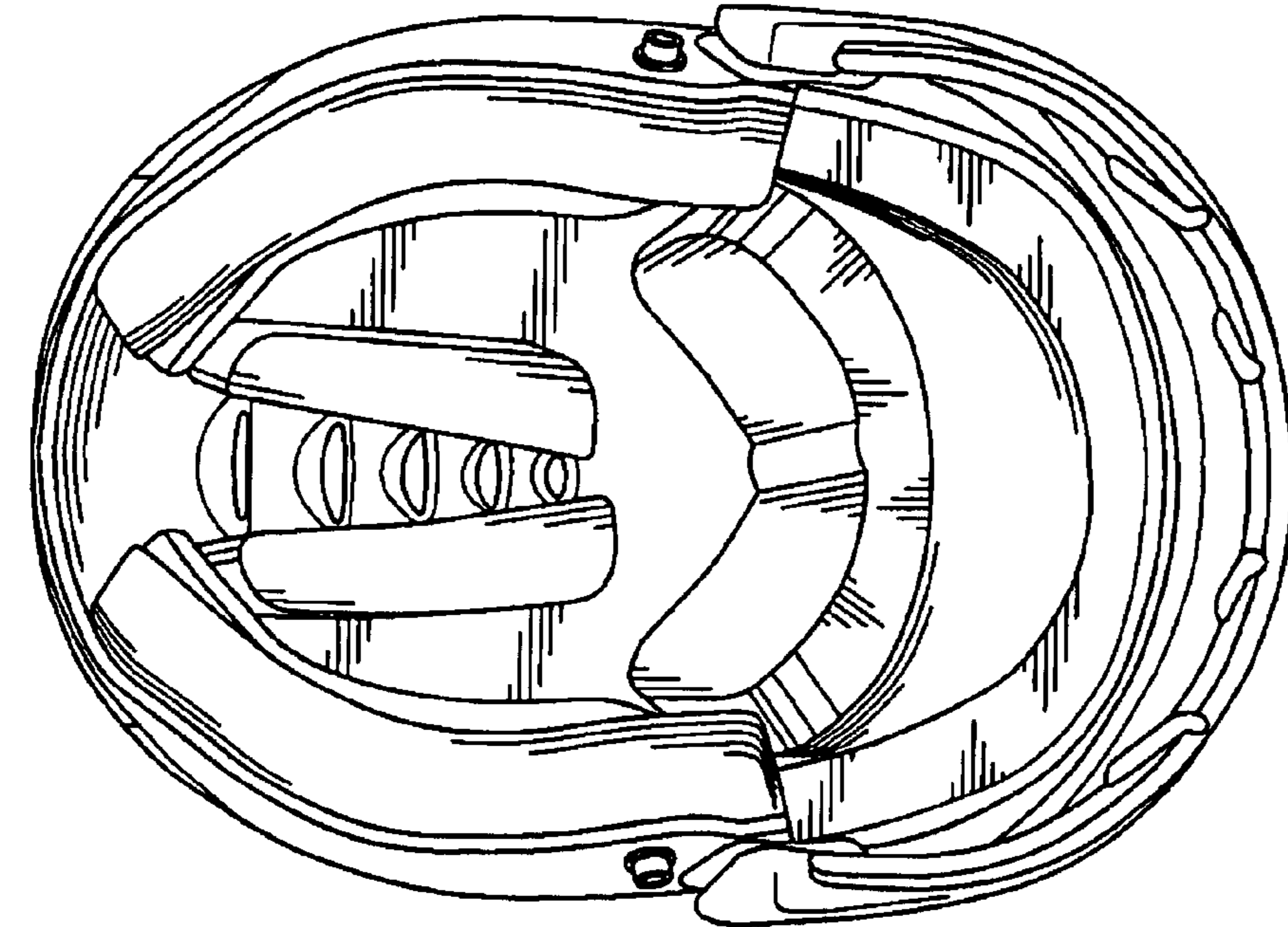


*FIG. 5*

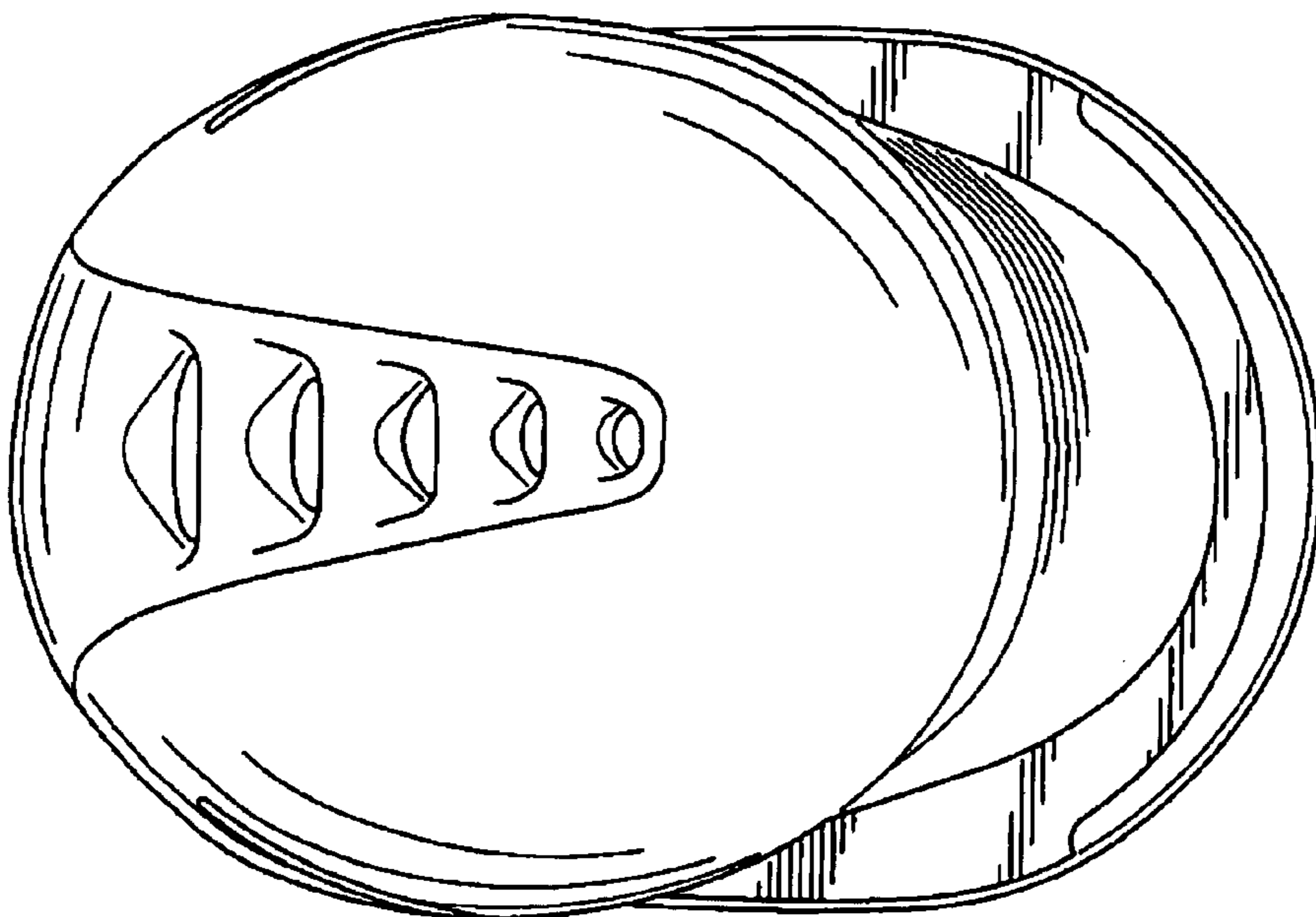


*FIG. 4*





**FIG. 7**



**FIG. 6**