



US00D620196S

(12) **United States Design Patent**  
**Nicoll et al.**

(10) **Patent No.:** **US D620,196 S**  
(45) **Date of Patent:** **\*\* Jul. 20, 2010**

(54) **HAIR TRIMMING CARTRIDGE**  
(75) Inventors: **Roy Nicoll**, Widdersh (GB);  
**Christopher Wattam**, London (GB);  
**Ian Anthony Goodhead**, Burton on  
Trent (GB)  
(73) Assignee: **The Gillette Company**, Boston, MA  
(US)

6,058,608 A 5/2000 Wruck  
6,094,820 A 8/2000 Adachi  
D467,387 S \* 12/2002 Wonderley ..... D28/45  
6,530,151 B2 3/2003 Kameka  
D499,511 S 12/2004 Wakayama  
6,928,738 B2 8/2005 Segrea  
D541,987 S 5/2007 Sugawara  
D601,753 S \* 10/2009 Cataudella et al. .... D28/47  
D602,634 S \* 10/2009 Cataudella et al. .... D28/46

(\*\*) Term: **14 Years**

(Continued)

(21) Appl. No.: **29/340,306**

FOREIGN PATENT DOCUMENTS

(22) Filed: **Jul. 16, 2009**

DE 3325934 A1 3/1985

(Continued)

(51) **LOC (9) Cl.** ..... **28-03**

(52) **U.S. Cl.** ..... **D28/47; D28/54**

(58) **Field of Classification Search** ..... 30/32,  
30/34.05, 34.1-34.2, 41, 44-46, 47-51, 57-58,  
30/77-84, 526-536, 537-539, 196, 201,  
30/223, 233, 233.5; D28/44, 46-54

OTHER PUBLICATIONS

U.S. Appl. No. 12/504,014, filed Jul. 16, 2009, Nicoll.

(Continued)

See application file for complete search history.

*Primary Examiner*—Jennifer Rivard

(74) *Attorney, Agent, or Firm*—Kevin C. Johnson; Steven W. Miller

(56) **References Cited**

U.S. PATENT DOCUMENTS

797,184 A 8/1905 Deneen  
1,493,962 A 5/1924 Cowan  
1,651,917 A \* 12/1927 Connolly ..... 30/81  
1,683,980 A 9/1928 Kwartin  
1,822,766 A 9/1931 Duffy  
2,234,440 A 3/1941 Lewis  
2,256,326 A 9/1941 Quinio  
3,004,337 A 10/1961 Schweizer  
3,165,831 A 1/1965 Carroll  
3,279,055 A 10/1966 Penn  
D215,915 S \* 11/1969 Bilken ..... D28/46  
D216,658 S \* 2/1970 Edmondson ..... D28/46  
3,947,960 A 4/1976 Urbaniak  
3,953,926 A 5/1976 Kallikounis  
4,709,475 A 12/1987 Phung  
4,928,716 A 5/1990 Greene  
5,359,774 A 11/1994 Althaus  
D353,225 S 12/1994 Doran et al.  
5,386,750 A 2/1995 Morrison

(57) **CLAIM**

The ornamental design for a hair trimming cartridge, as shown and described.

**DESCRIPTION**

FIG. 1 is a perspective view of a hair trimming cartridge of the present invention;

FIG. 2 is a front elevational view thereof;

FIG. 3 is rear elevational view thereof;

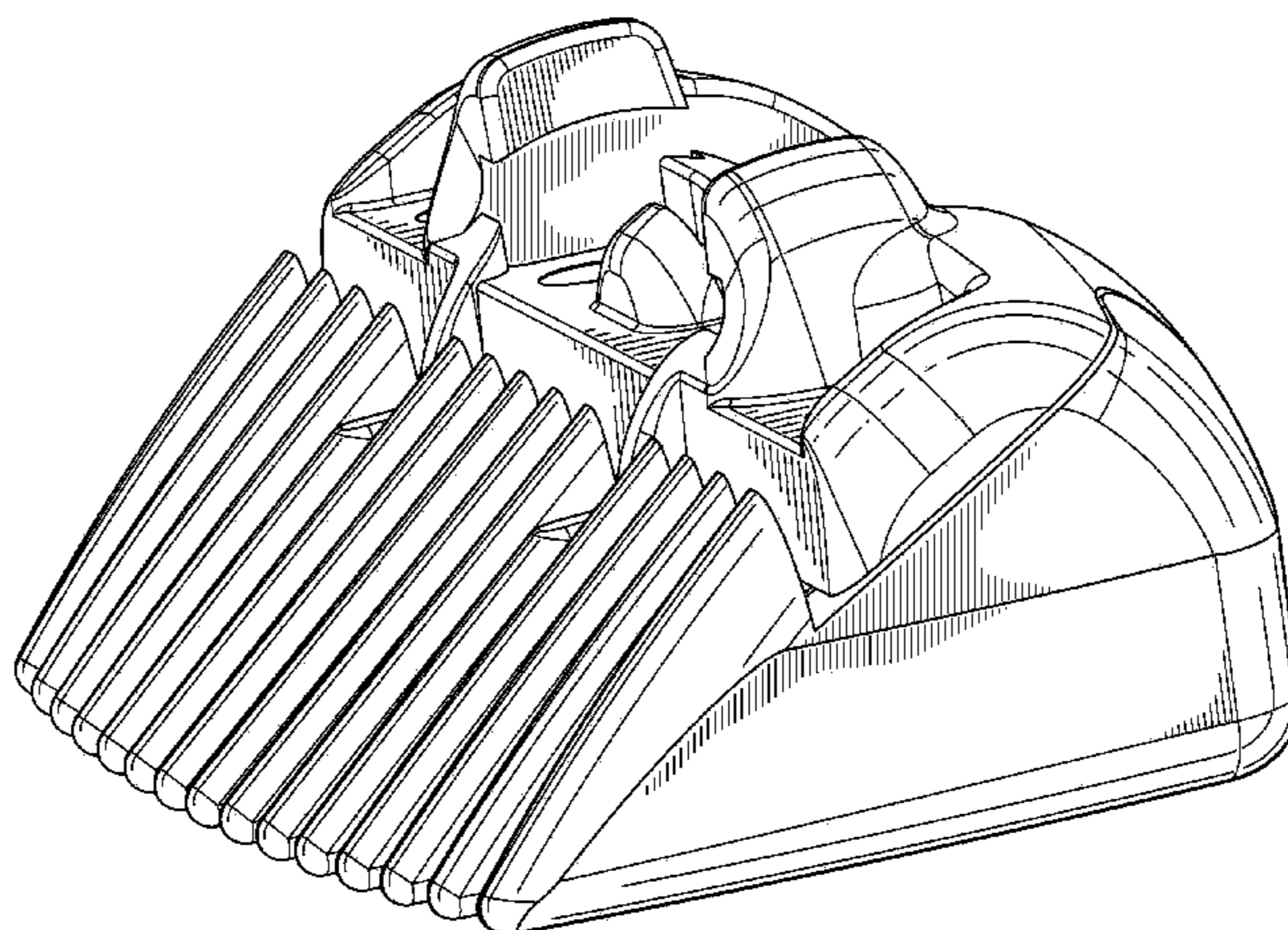
FIG. 4 is a right side elevational view thereof;

FIG. 5 is a left side elevational view thereof;

FIG. 6 is a top plan view thereof; and,

FIG. 7 is a bottom plan view thereof.

**1 Claim, 6 Drawing Sheets**



# US D620,196 S

Page 2

---

## U.S. PATENT DOCUMENTS

2002/0062568 A1 5/2002 Stiles  
2004/0035003 A1 2/2004 Stiles  
2006/0005394 A1 1/2006 Newkirk et al.  
2006/0130334 A1 6/2006 Park  
2006/0179661 A1 8/2006 Walker et al.  
2007/0006463 A1 1/2007 Pennella et al.  
2007/0137045 A1 6/2007 Follo et al.  
2008/0016691 A1 1/2008 Pennella et al.  
2008/0078333 A1 4/2008 Wang  
2008/0250644 A1 10/2008 Orloff et al.  
2010/0011586 A1\* 1/2010 Nicoll et al. .... 30/34.1

## FOREIGN PATENT DOCUMENTS

DE 20300057 U1 4/2003  
DE 20311172 U1 10/2003  
DE 202005013297 U1 1/2006  
JP 2000167269 A2 6/2000

## OTHER PUBLICATIONS

U.S. Appl. No. 29/340,307, filed Jul. 16, 2009, Wattam.  
U.S. Appl. No. 29/340,308, filed Jul. 16, 2009, Wattam.  
U.S. Appl. No. 29/340,310, filed Jul. 16, 2009, Adams.  
U.S. Appl. No. 29/340,311, filed Jul. 16, 2009, Adams.  
U.S. Appl. No. 29/340,312, filed Jul. 16, 2009, Goodhead.

\* cited by examiner

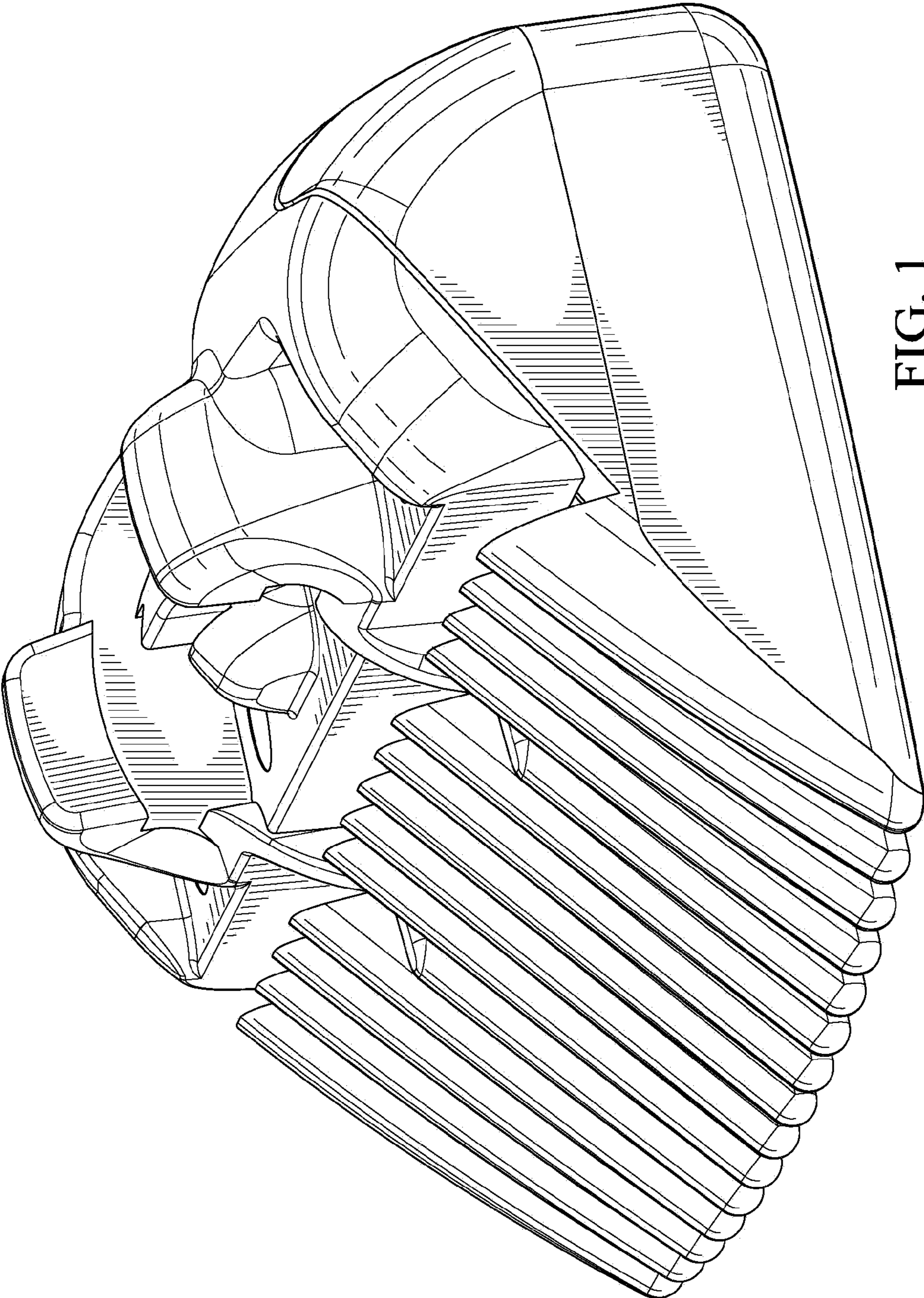


FIG. 1

FIG. 2

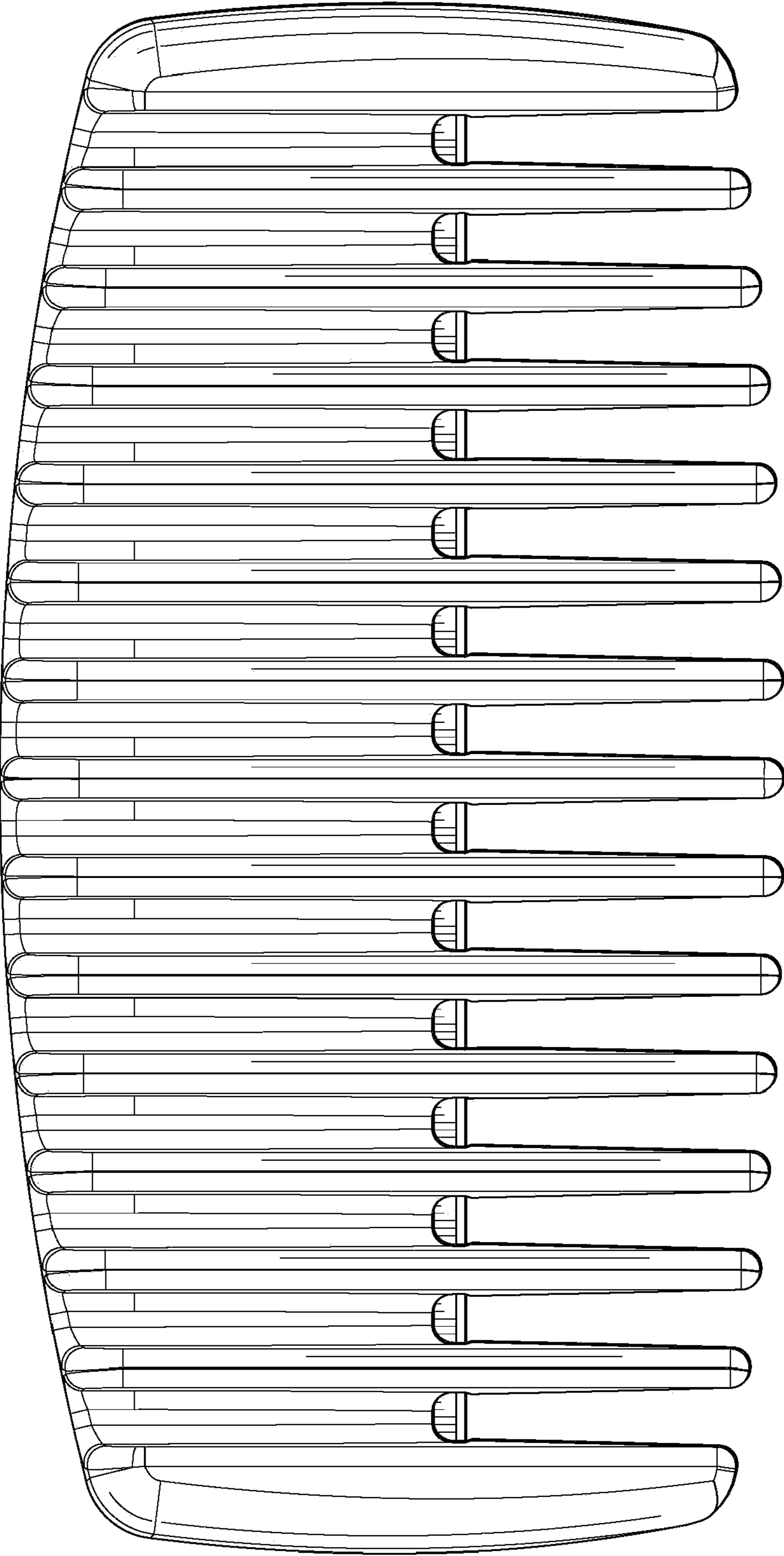


FIG. 3

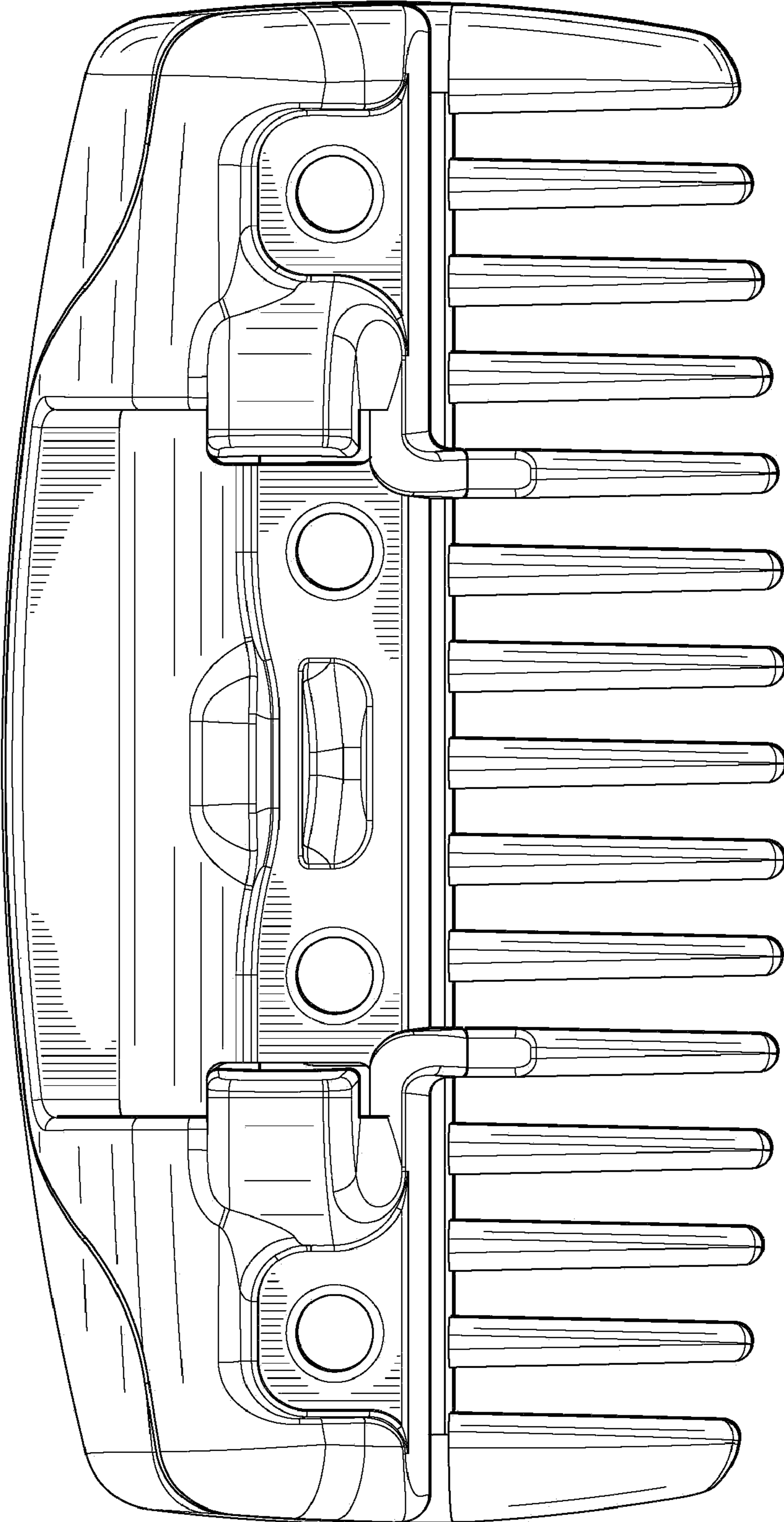


FIG. 5

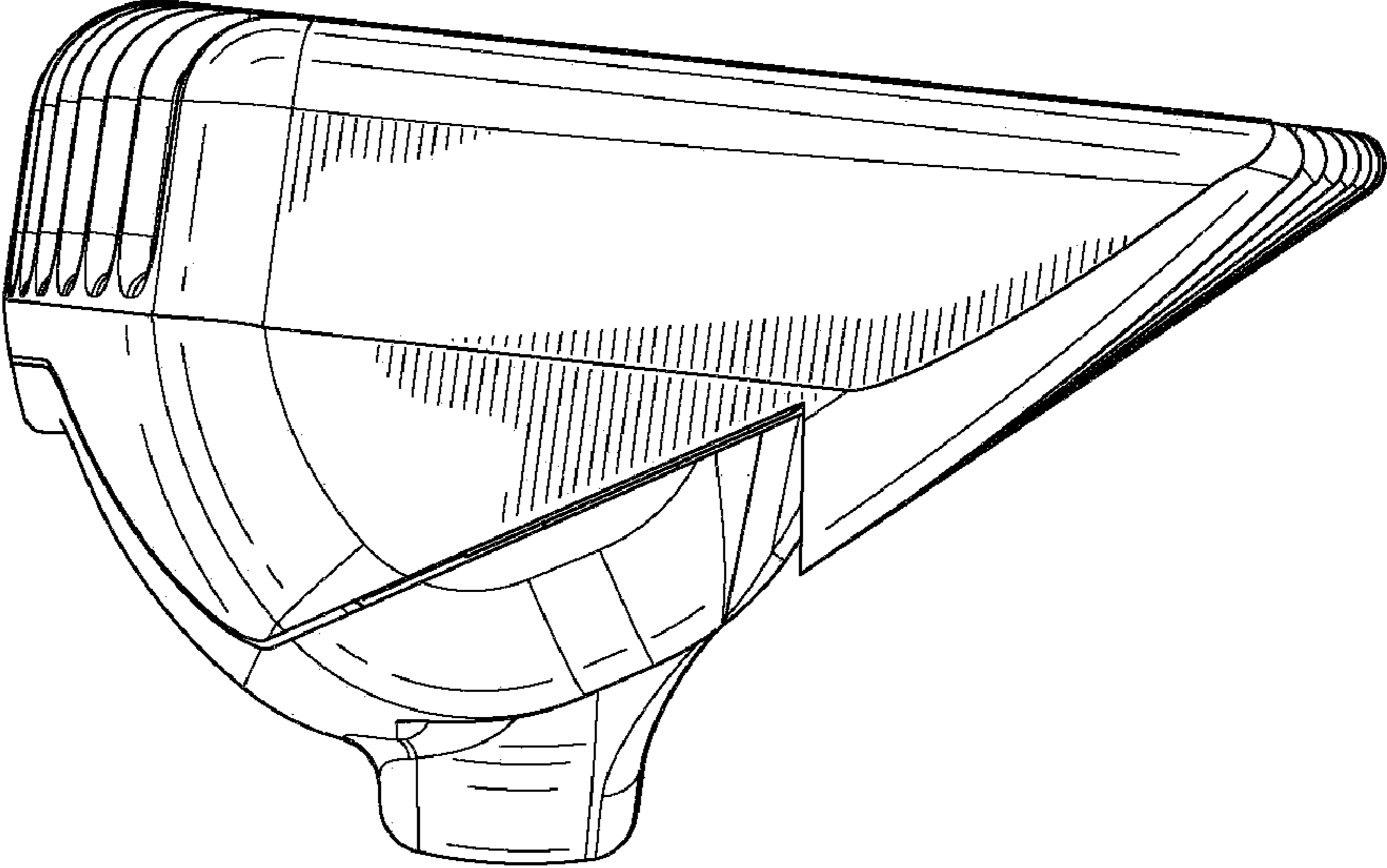


FIG. 4

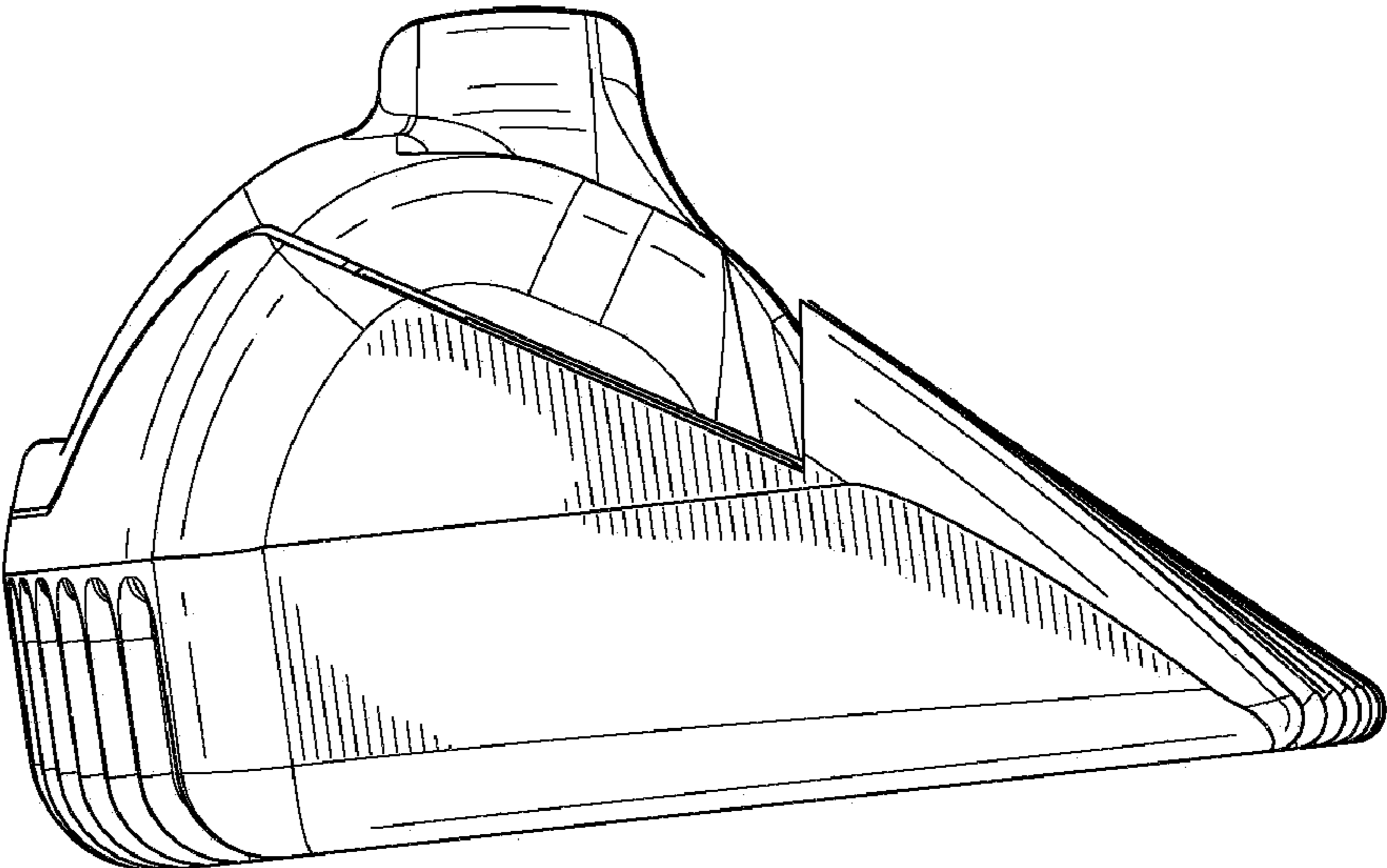


FIG. 6

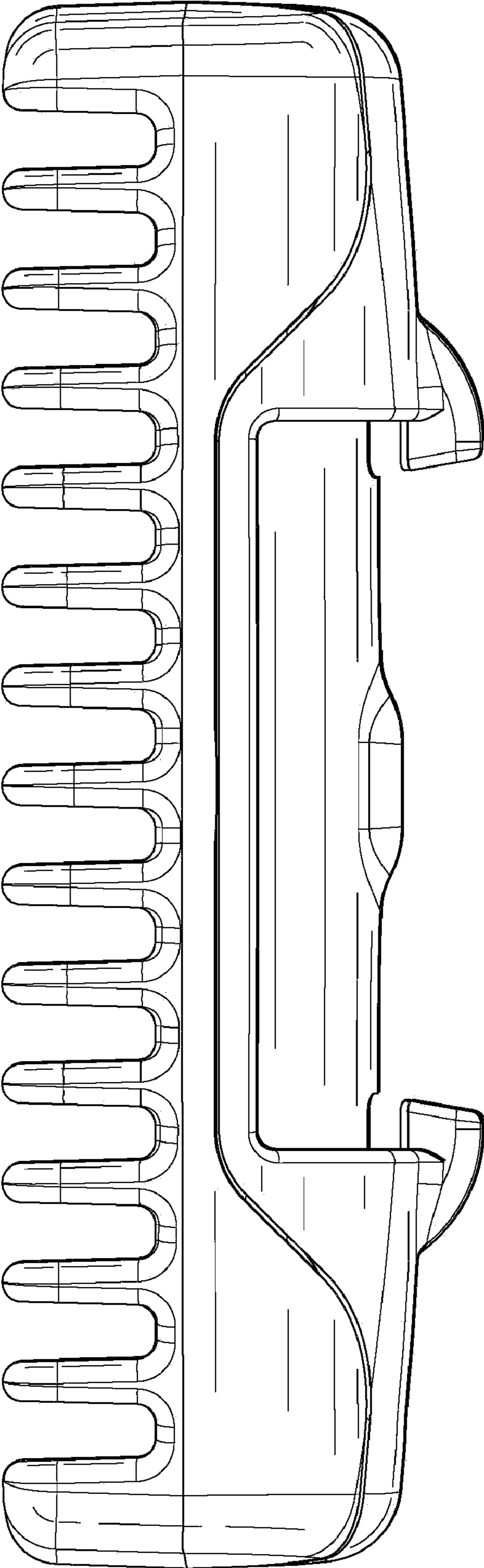


FIG. 7

