



US00D620194S

(12) **United States Design Patent**
Nelson

(10) **Patent No.:** **US D620,194 S**
(45) **Date of Patent:** **** *Jul. 20, 2010**

(54) **COSMETIC PRODUCT**

(75) Inventor: **Erin Keville Nelson**, Baltimore, MD
(US)

(73) Assignee: **The Procter & Gamble Company**,
Cincinnati, OH (US)

(**) Term: **14 Years**

(21) Appl. No.: **29/324,836**

(22) Filed: **Sep. 22, 2008**

(51) **LOC (9) Cl.** **28-02**

(52) **U.S. Cl.** **D28/4**

(58) **Field of Classification Search** D28/4,
D28/8.1, 8.2, 76, 77, 78, 79, 82; 510/523,
510/221-224, 147; 424/63, 401, 489; 206/581,
206/823; 132/286, 293, 294, 298, 303, 314,
132/315

See application file for complete search history.

(56) **References Cited**

U.S. PATENT DOCUMENTS

D422,753 S * 4/2000 Einarson D28/77

(Continued)

FOREIGN PATENT DOCUMENTS

CA 000111407 8/2006

(Continued)

OTHER PUBLICATIONS

USTPO Notice of Allowance and Office Action from co-pending U.S. Appl. No. 29/324,838, Filed Sep. 22, 2008, Inventor: Erin Keville Nelson, mail dates Jan. 26, 2010, and Nov. 12, 2009, 11 pages.

Primary Examiner—Jennifer Rivard

(74) *Attorney, Agent, or Firm*—Megan C. Hymore; Jim C. Vago; Carl J. Roof

(57) **CLAIM**

The ornamental design for a cosmetic product, as shown and described.

DESCRIPTION

FIG. 1 is a perspective front view of a cosmetic product, embodying the new design, wherein the stippled areas represent color contrast;

FIG. 2 is a right-side view of the design shown in FIG. 1, the left-side view being a mirror-image thereof;

FIG. 3 is a top view of the design shown in FIG. 1;

FIG. 4 is a bottom view of the design shown in FIG. 1;

FIG. 5 is a perspective front view of a second embodiment of a cosmetic product, embodying the new design, wherein the stippled areas represent color contrast;

FIG. 6 is a right-side view of the design shown in FIG. 5, the left-side view being a mirror-image thereof;

FIG. 7 is a top view of the design shown in FIG. 5;

FIG. 8 is a bottom view of the design shown in FIG. 5;

FIG. 9 is a perspective front view of a third embodiment of a cosmetic product, embodying the new design, wherein the stippled areas represent color contrast;

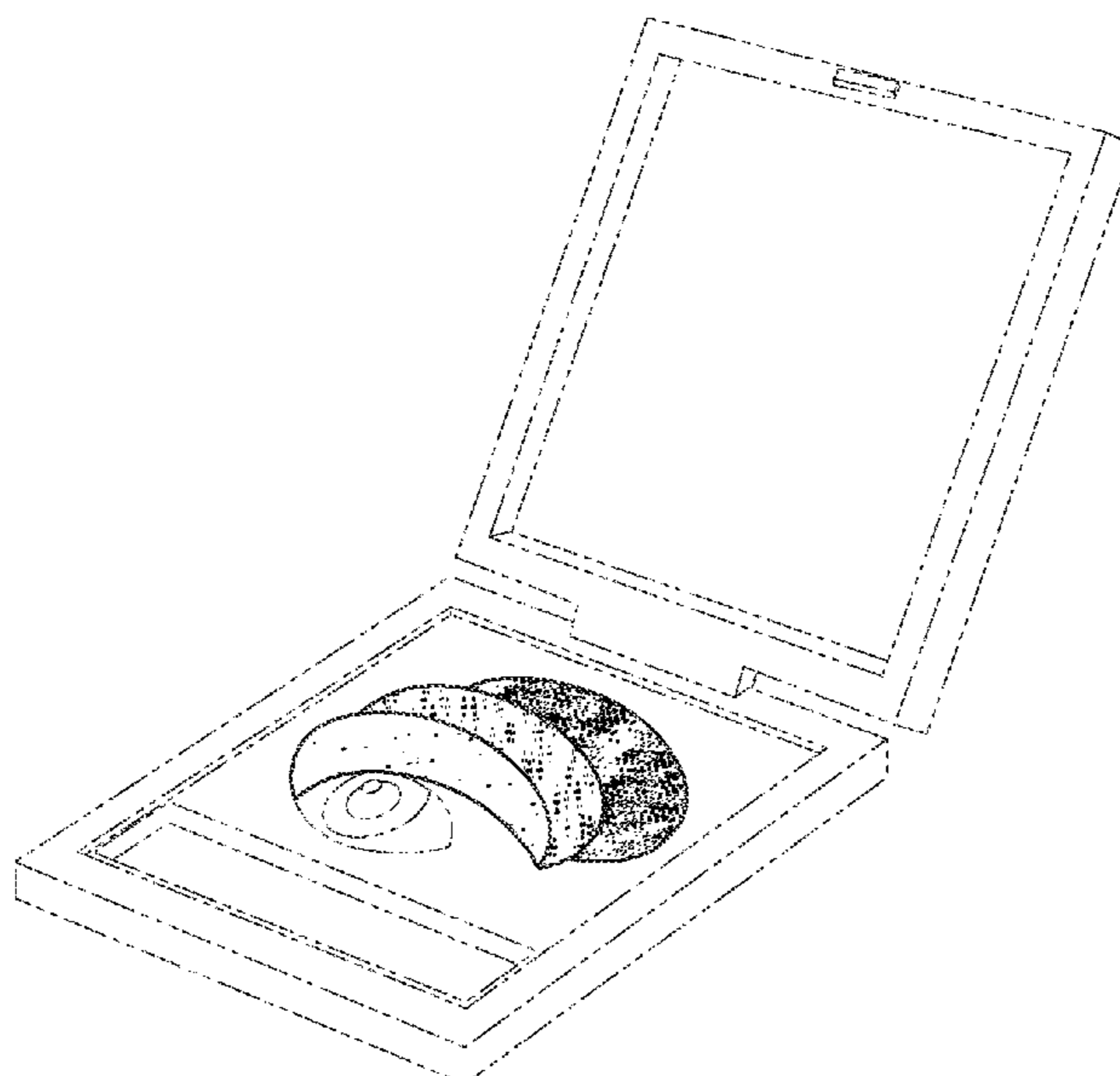
FIG. 10 is a right-side view of the design shown in FIG. 9, the left-side view being a mirror-image thereof;

FIG. 11 is a top view of the design shown in FIG. 9; and,

FIG. 12 is a bottom view of the design shown in FIG. 9.

The broken lines shown in the drawings illustrate portions of the article and form no part of the claimed design.

1 Claim, 6 Drawing Sheets



US D620,194 S

Page 2

U.S. PATENT DOCUMENTS

D468,867 S * 1/2003 Thorpe et al. D28/79
6,631,806 B2 * 10/2003 Jackson 206/581
D516,744 S * 3/2006 Jackel-Marken D28/4
D519,240 S * 4/2006 Jackel-Marken D28/4
D522,174 S * 5/2006 Jackel-Marken D28/4
7,165,559 B1 * 1/2007 Goodman 132/294
D547,491 S * 7/2007 Taniguchi D28/4

2004/0040570 A1* 3/2004 Shih 132/293

FOREIGN PATENT DOCUMENTS

EM 000352281.0001 7/2005
EM 000779418.0004 10/2007
GB 002017351 2/1992
JP 0D1290886 1/2007
KR 300399567.0000 11/2005

* cited by examiner

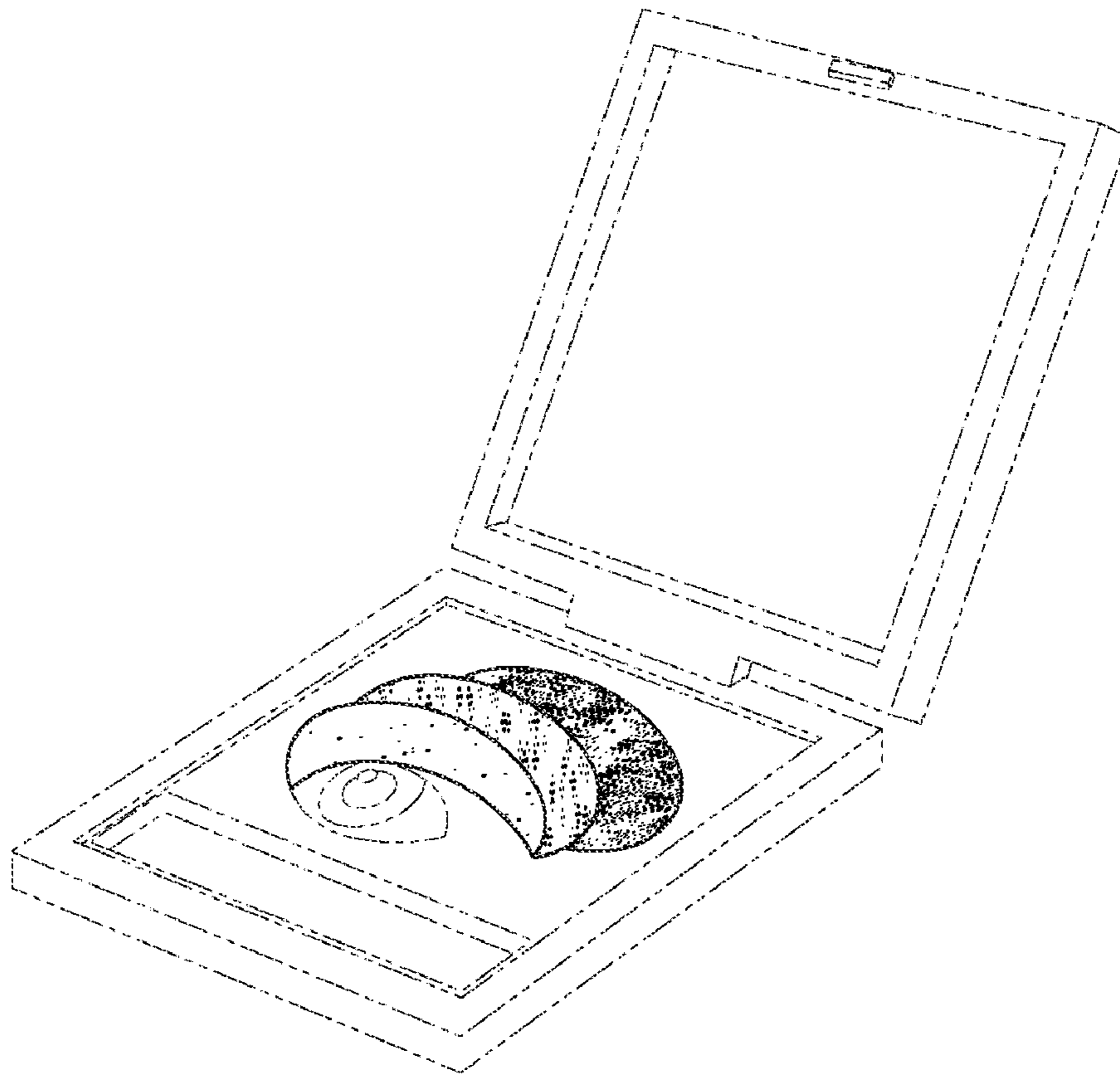


Fig. 1

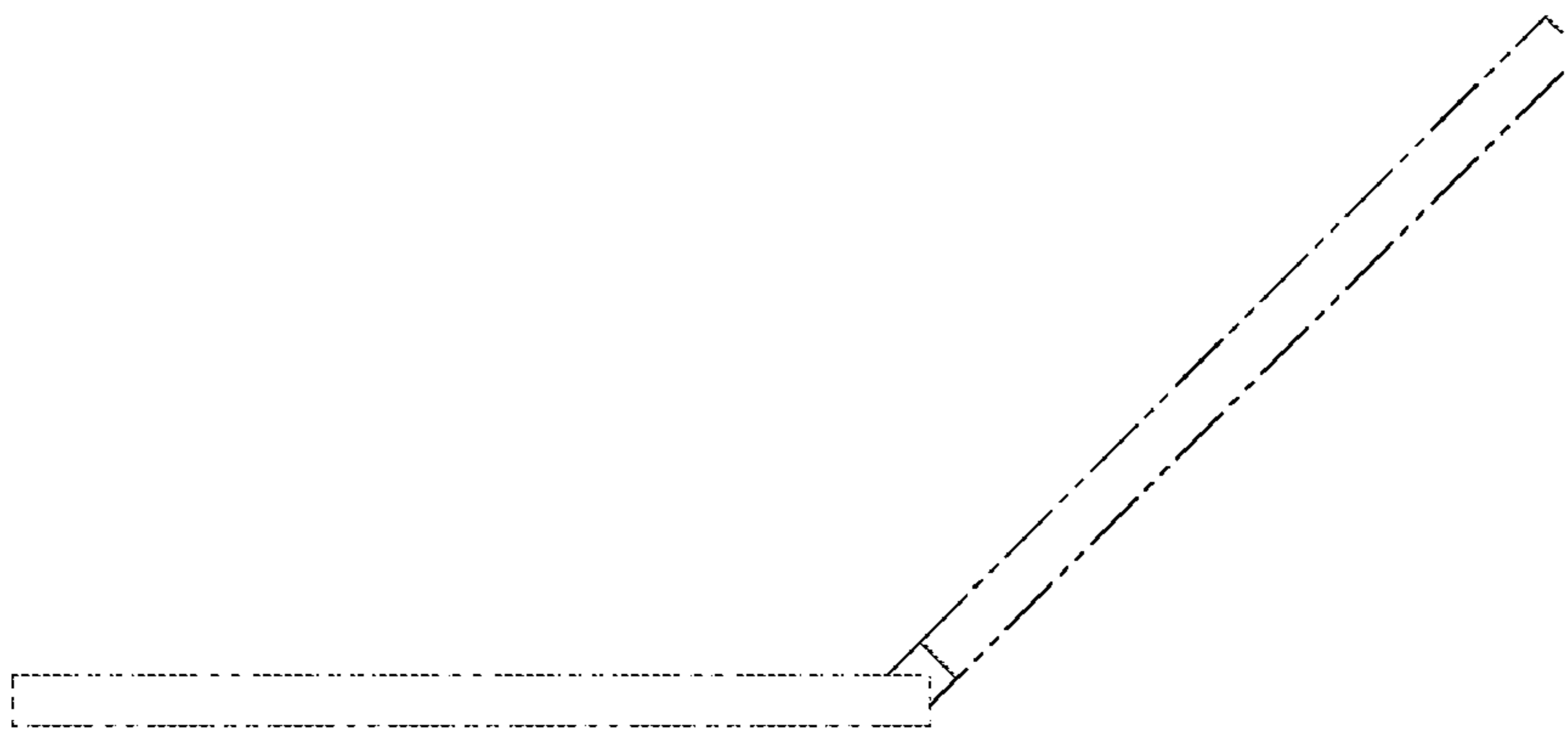


Fig. 2

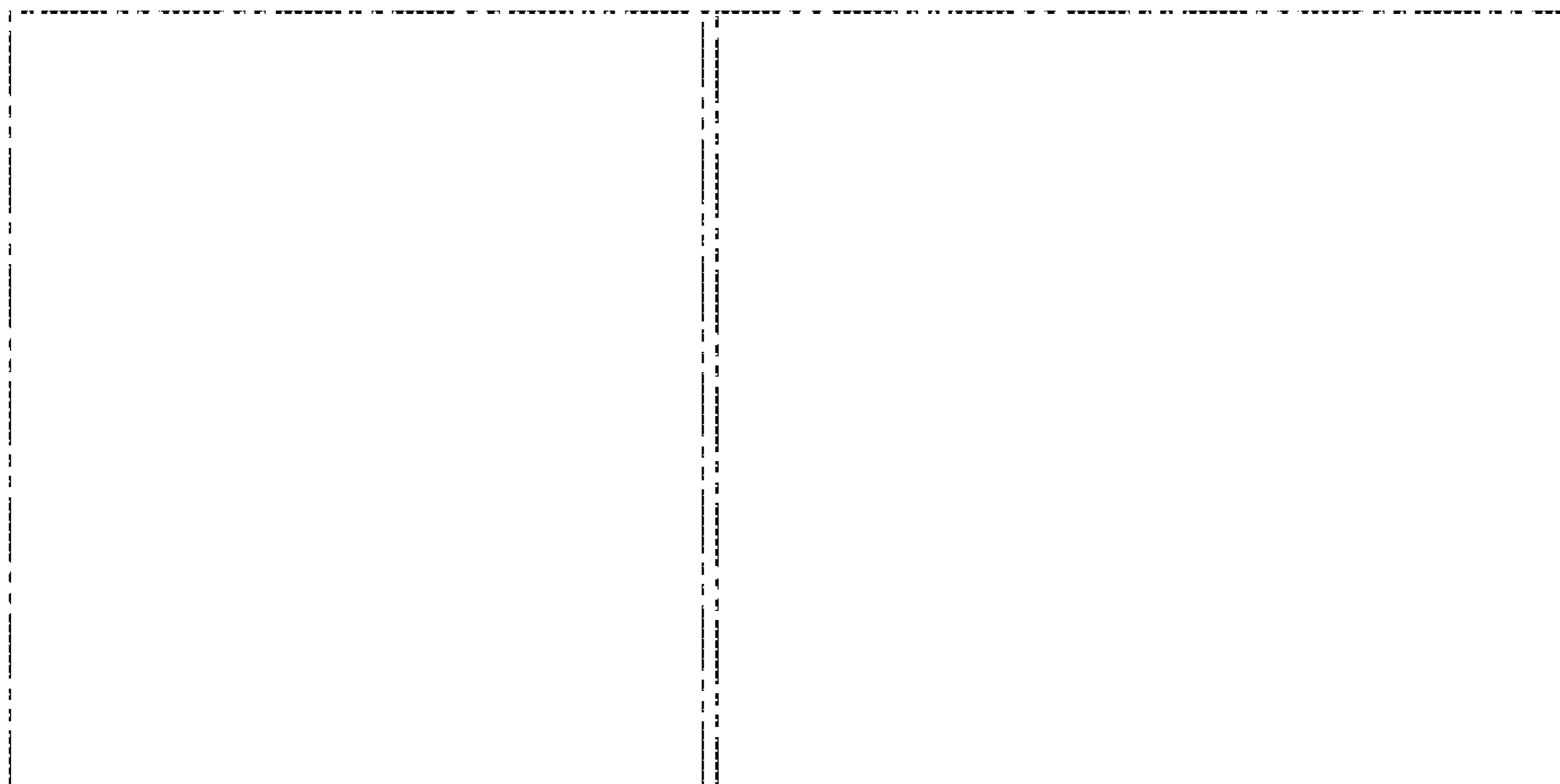


Fig. 4

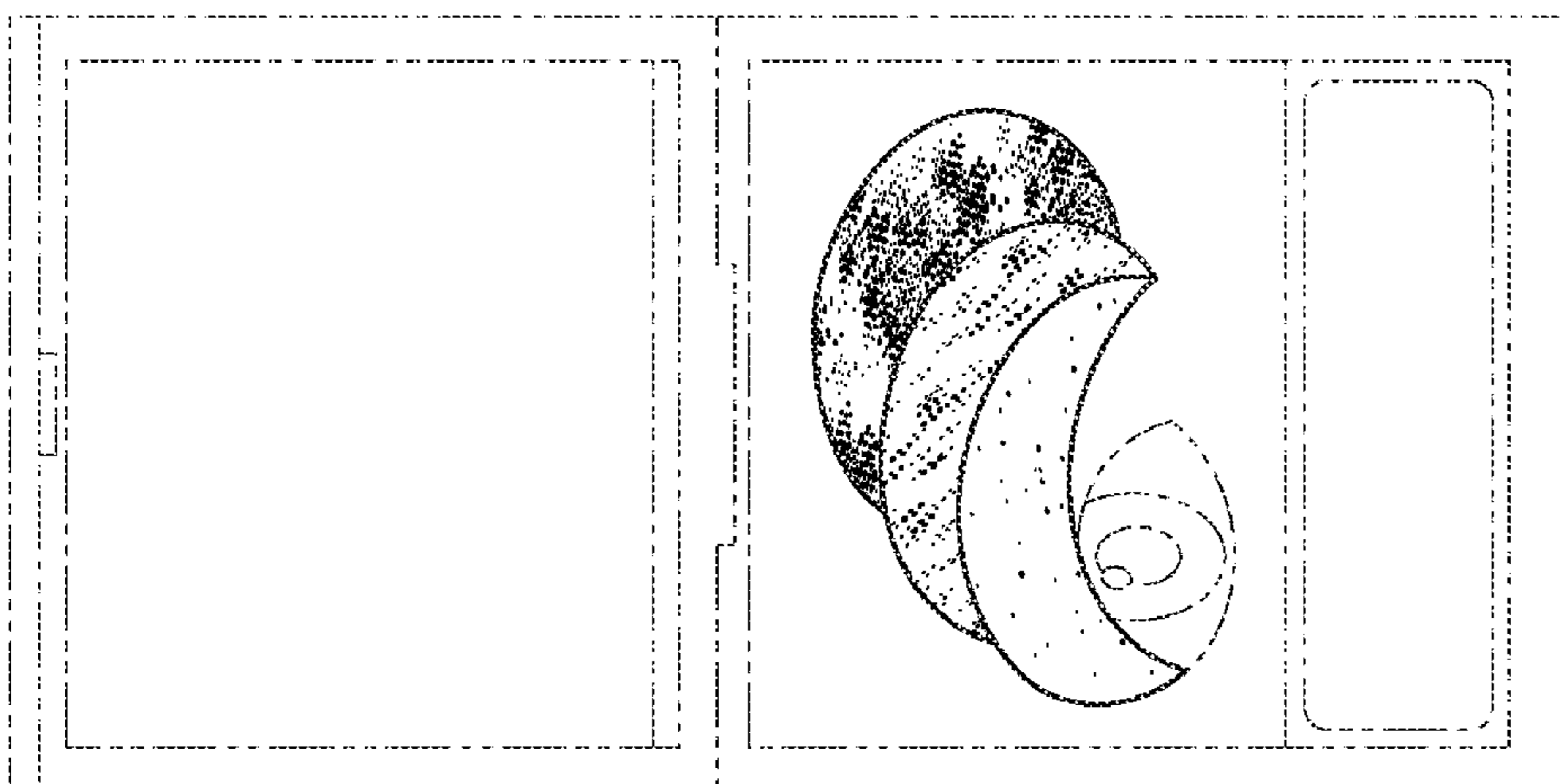


Fig. 3

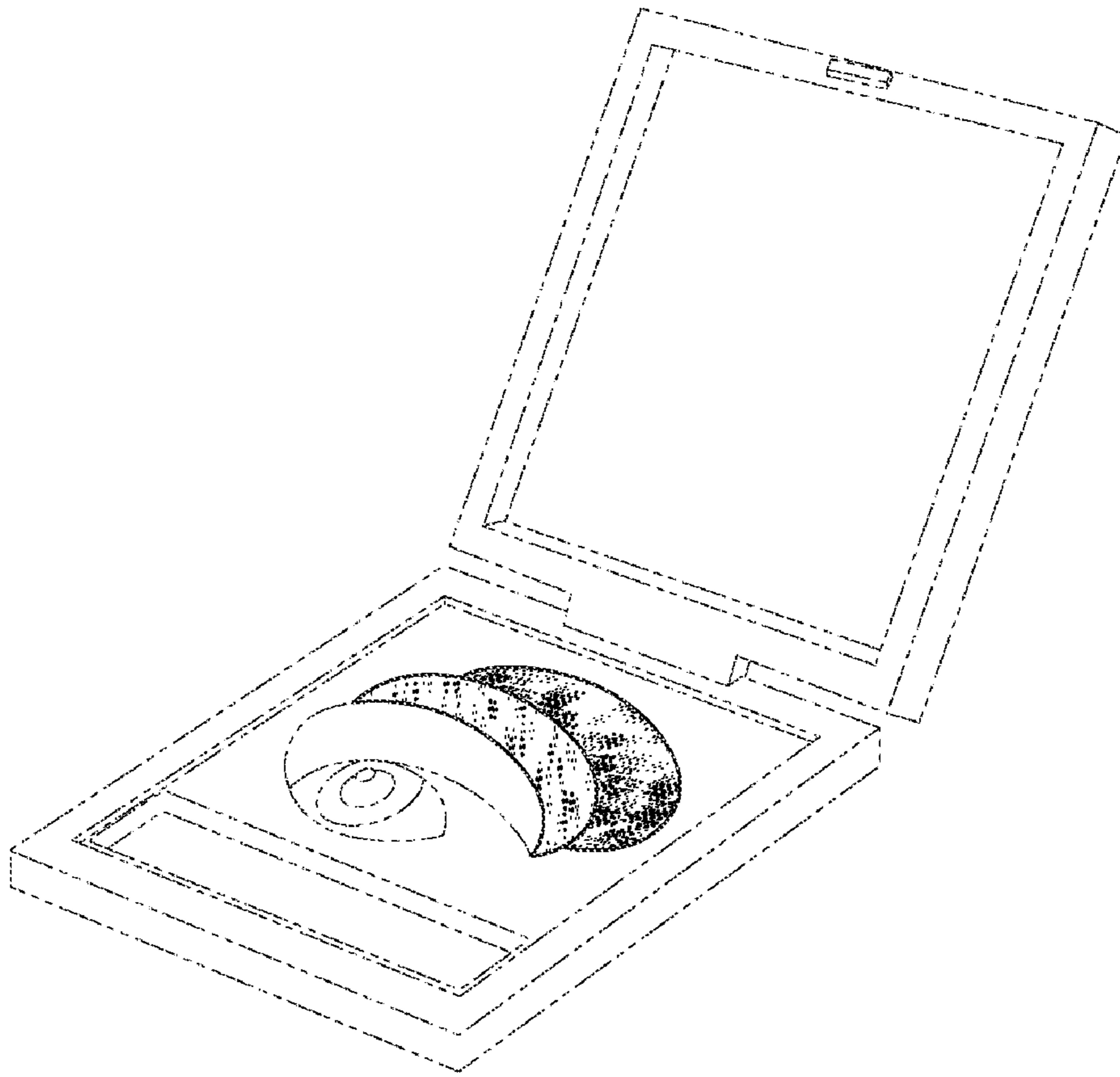


Fig. 5

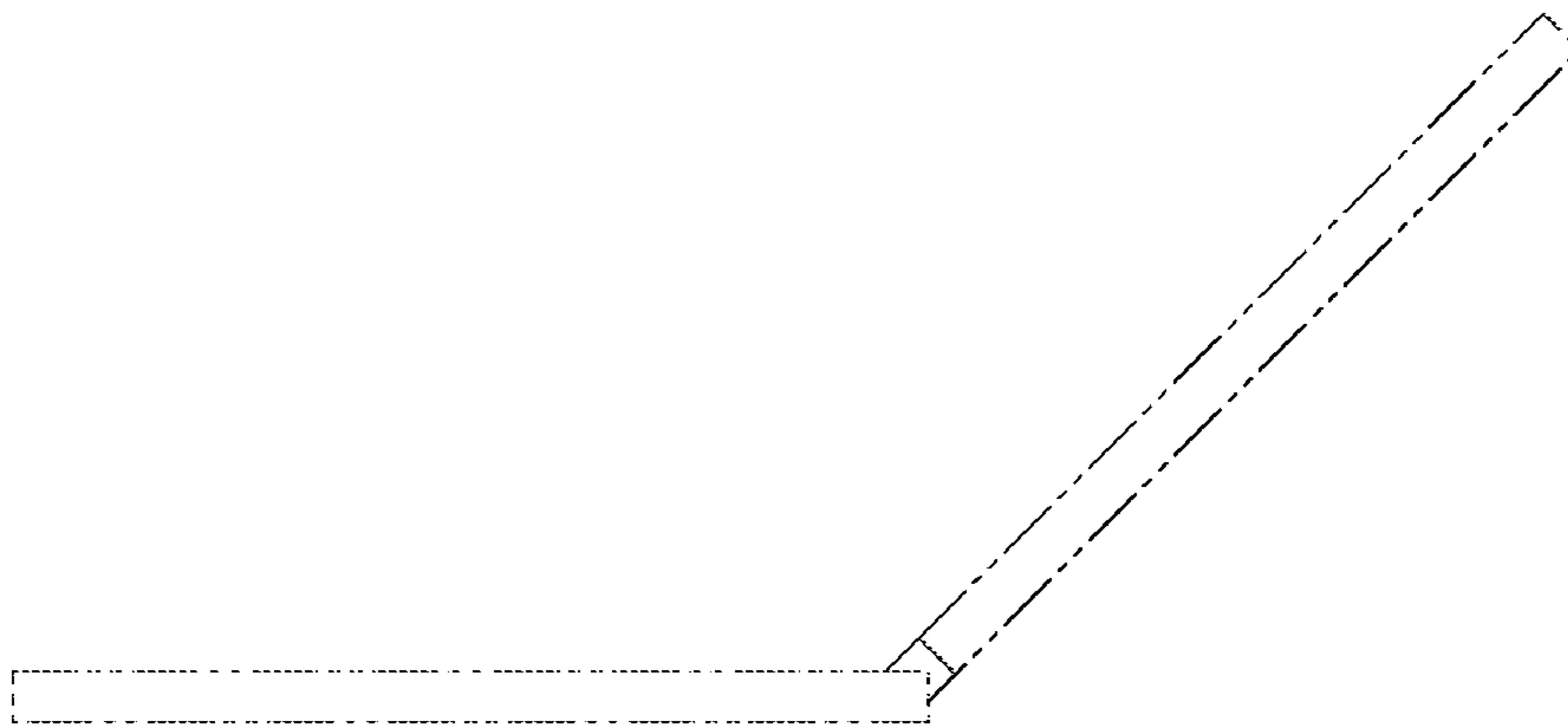


Fig. 6

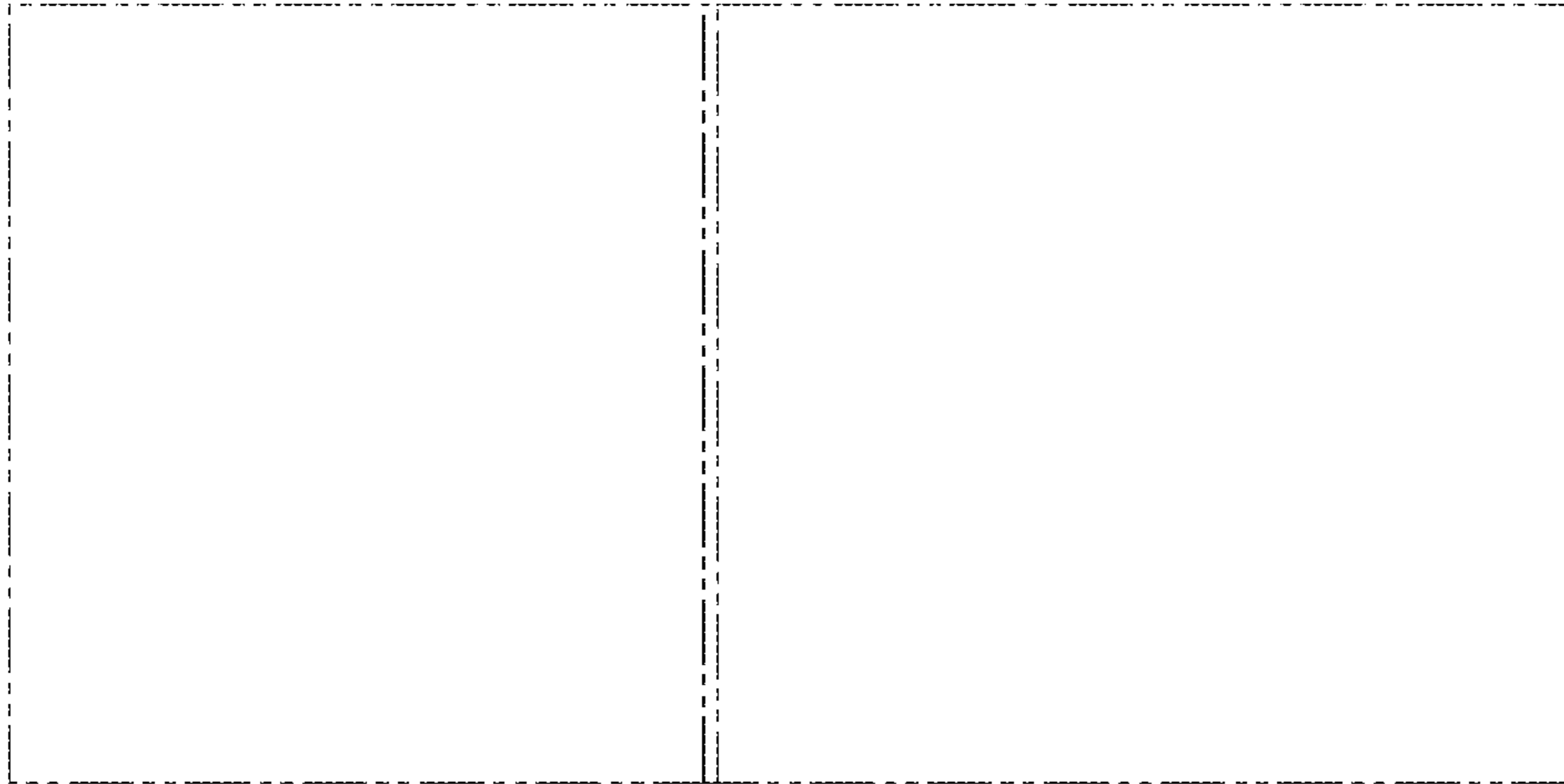


Fig. 8

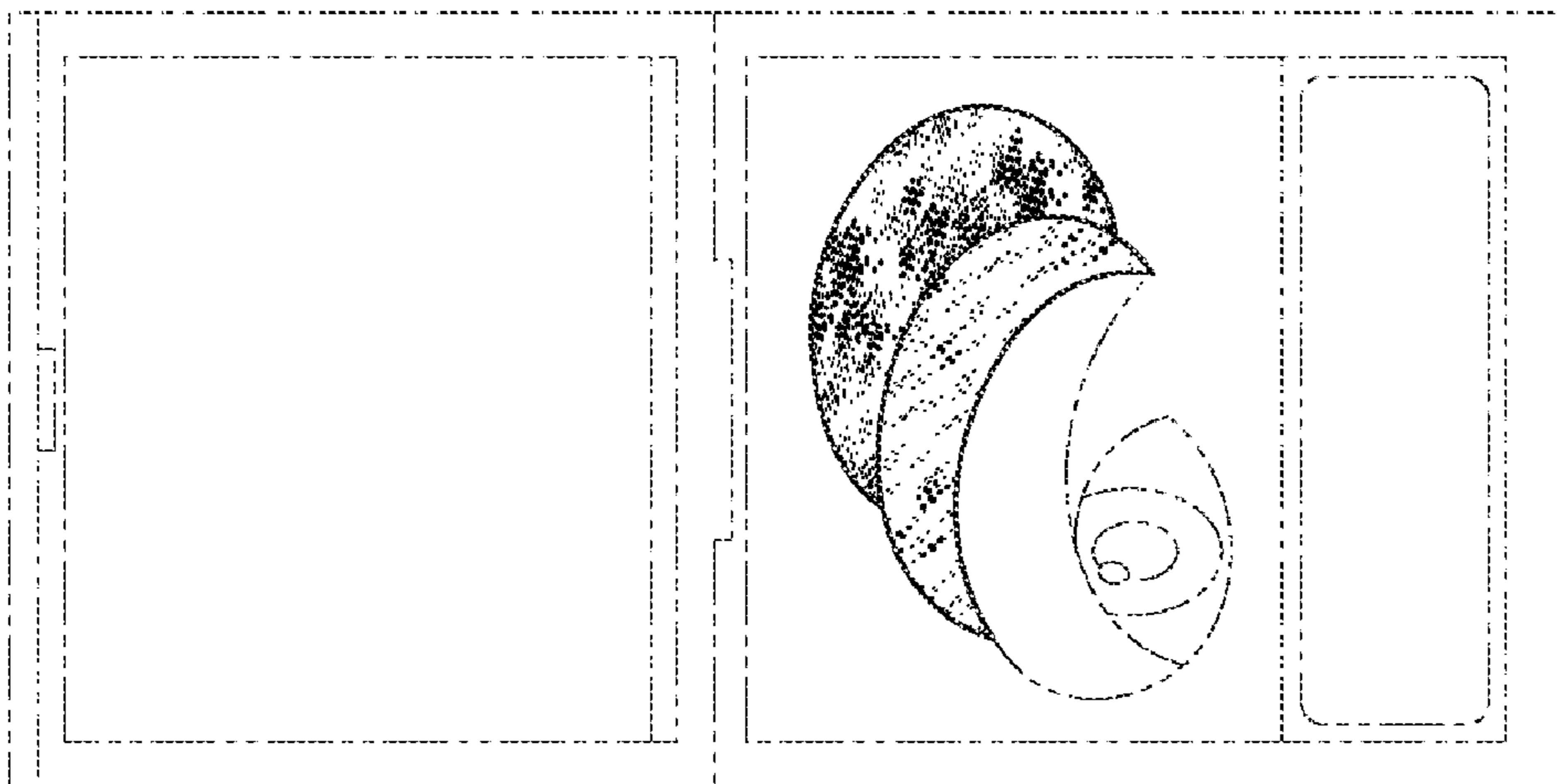


Fig. 7

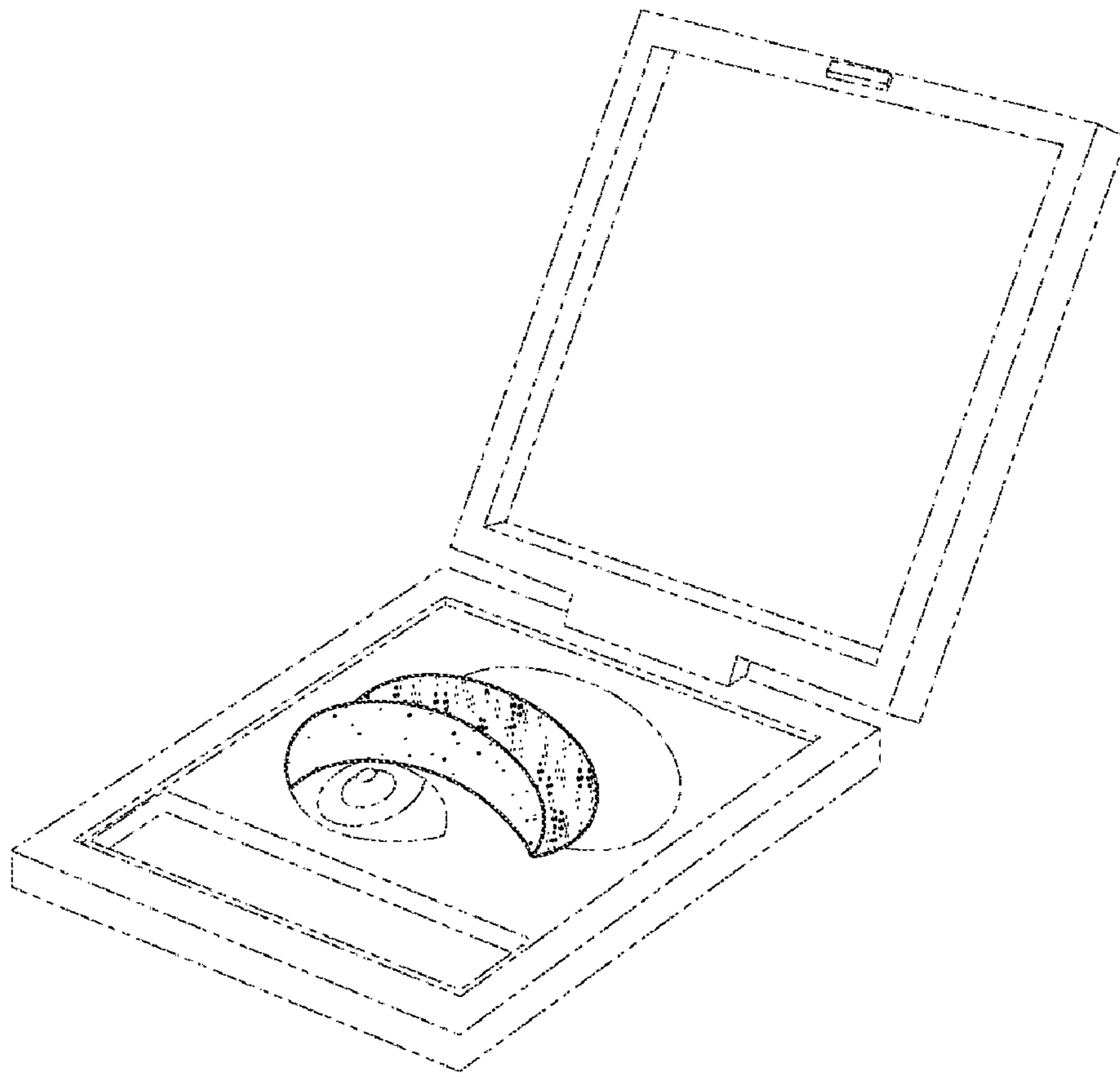


Fig. 9

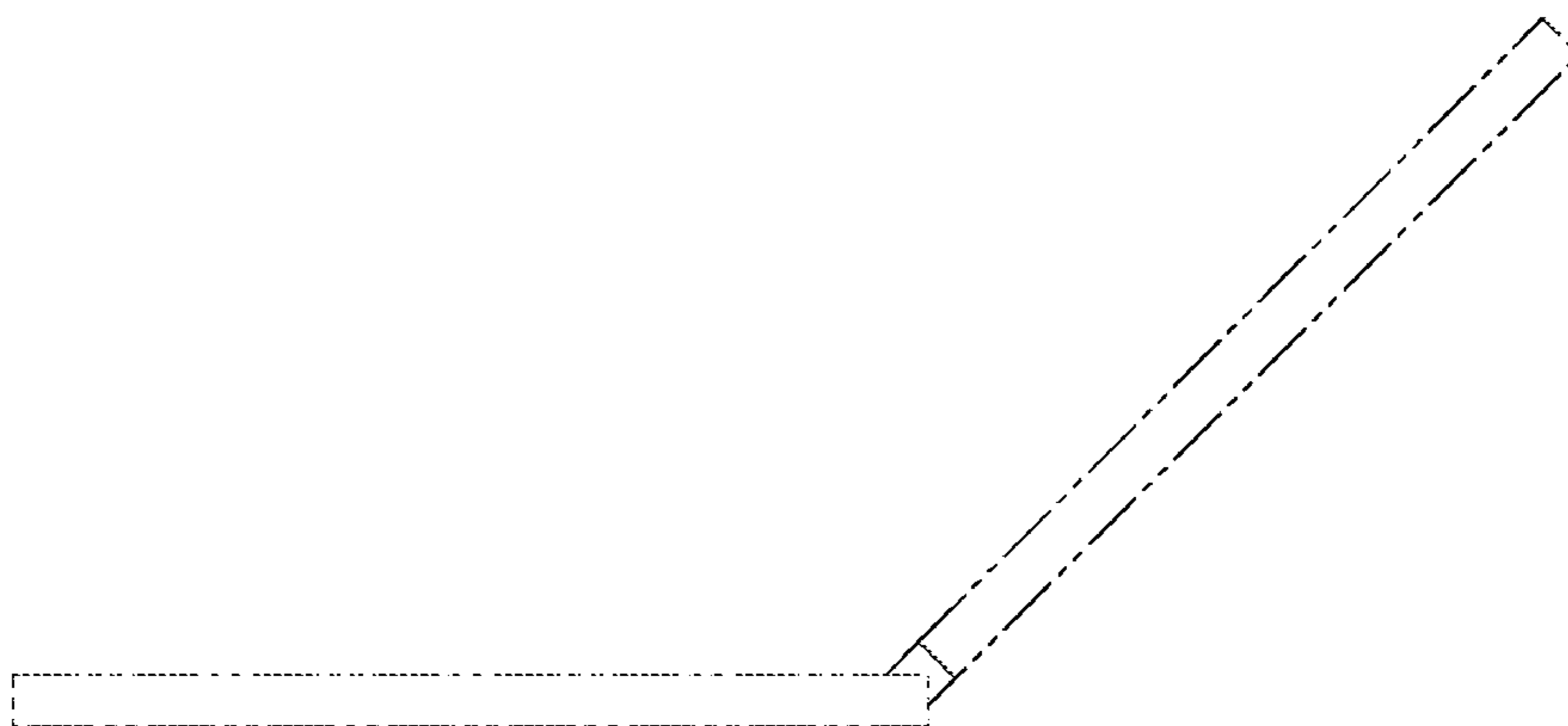


Fig. 10



Fig. 12

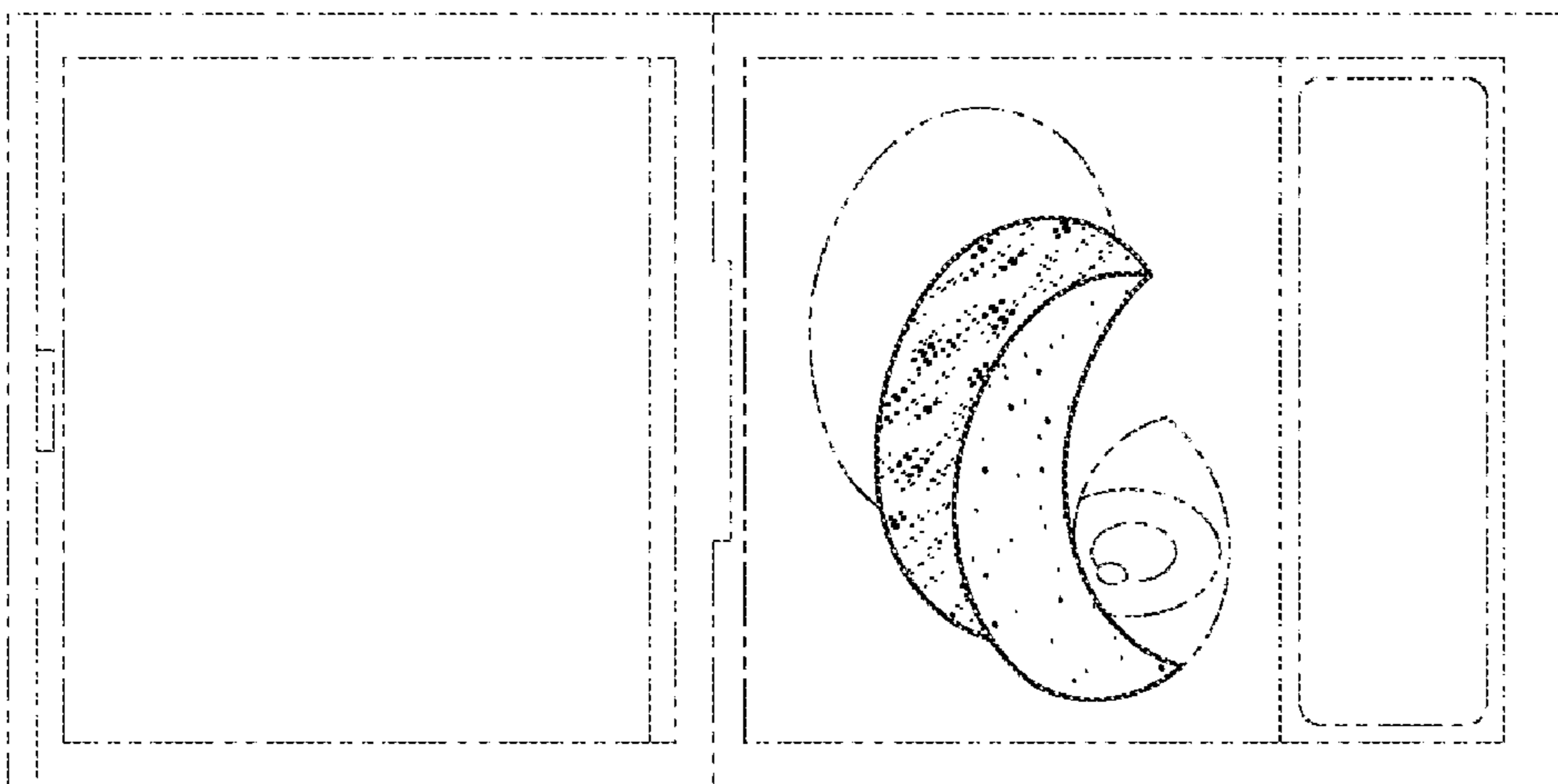


Fig. 11