



US00D620190S

(12) **United States Design Patent**  
**Chung et al.**

(10) **Patent No.:** **US D620,190 S**  
(45) **Date of Patent:** **\*\* Jul. 20, 2010**

(54) **LIGHTING FIXTURE**

(75) Inventors: **Casey Chung**, Bloomingdale, IL (US);  
**Michael T. Thornton**, Burr Ridge, IL (US);  
**Peter F. Thornton, Jr.**, Hinsdale, IL (US);  
**Edwin Vice, Jr.**, Chicago, IL (US);  
**Stephan Apetauer**, Munich (DE);  
**Thomas Moeker**, Munich (DE);  
**Burkhard Schlee**, Munich (DE);  
**Detlef Kiel**, Munich (DE)

(73) Assignee: **Focal Point, L.L.C.**, Chicago, IL (US)

(\*\*) Term: **14 Years**

(21) Appl. No.: **29/332,614**

(22) Filed: **Feb. 20, 2009**

(51) **LOC (9) Cl.** ..... **26-99**

(52) **U.S. Cl.** ..... **D26/122**

(58) **Field of Classification Search** ..... D26/124,  
D26/123, 129, 130, 131, 120, 113, 152, 138,  
D26/72, 77, 81, 83, 139, 85, 71, 87, 26, 118,  
D26/125, 73, 9, 134, 84, 127, 63, 50, 119,  
D26/60, 67, 128, 88, 86, 141, 142, 145, 153,  
D26/154, 155, 76, 78, 122; 428/26; 362/147,  
362/351, 365, 350, 348, 335, 364, 235, 249.02,  
362/294, 345, 366, 249.1, 25, 240, 376, 221,  
362/223, 325, 342; D12/163, 193; D11/125,  
D11/121, 49, 117, 184; D1/106, 107; D23/366;  
D6/332

See application file for complete search history.

(56) **References Cited**

**U.S. PATENT DOCUMENTS**

2,339,100	A *	1/1944	Netting	362/219
3,270,194	A *	8/1966	Lee	362/218
D407,473	S *	3/1999	Wimbock	D23/328
5,988,829	A *	11/1999	Holder	362/223
5,988,836	A *	11/1999	Swarens	362/364
6,523,974	B2 *	2/2003	Engel	362/224
D477,891	S *	7/2003	Fritze et al.	D26/74
D496,121	S *	9/2004	Santoro	D26/74
D545,483	S *	6/2007	Mayfield et al.	D26/118
D553,781	S *	10/2007	Pickard et al.	D26/74

2005/0281024 A1\* 12/2005 Mayfield et al. .... 362/221

\* cited by examiner

*Primary Examiner*—Cathron C Brooks

*Assistant Examiner*—Kevin K Rudzinski

(74) *Attorney, Agent, or Firm*—Banner & Witcoff, Ltd.

(57) **CLAIM**

The ornamental design for a lighting fixture, as shown and described.

**DESCRIPTION**

FIG. 1 is a first front perspective view of a lighting fixture showing a first embodiment of our new design;

FIG. 2 is a left side view thereof;

FIG. 3 is a right side view thereof;

FIG. 4 is a top view thereof;

FIG. 5 is a bottom view thereof;

FIG. 6 is a rear view thereof;

FIG. 7 is a front view thereof;

FIG. 8 is a rear perspective view thereof;

FIG. 9 is a second front perspective view thereof;

FIG. 10 is a first front perspective view of a lighting fixture showing a second embodiment of our new design;

FIG. 11 is a left side view thereof;

FIG. 12 is a right side view thereof;

FIG. 13 is a top view thereof;

FIG. 14 is a bottom view thereof;

FIG. 15 is a rear view thereof;

FIG. 16 is a front view thereof;

FIG. 17 is a rear perspective view thereof; and,

FIG. 18 is a second front perspective view thereof.

The dot-dash-dot broken lines represent unclaimed boundaries of the claimed design. The dot-dot broken lines represent environmental structure and form no part of the claimed design.

**1 Claim, 14 Drawing Sheets**

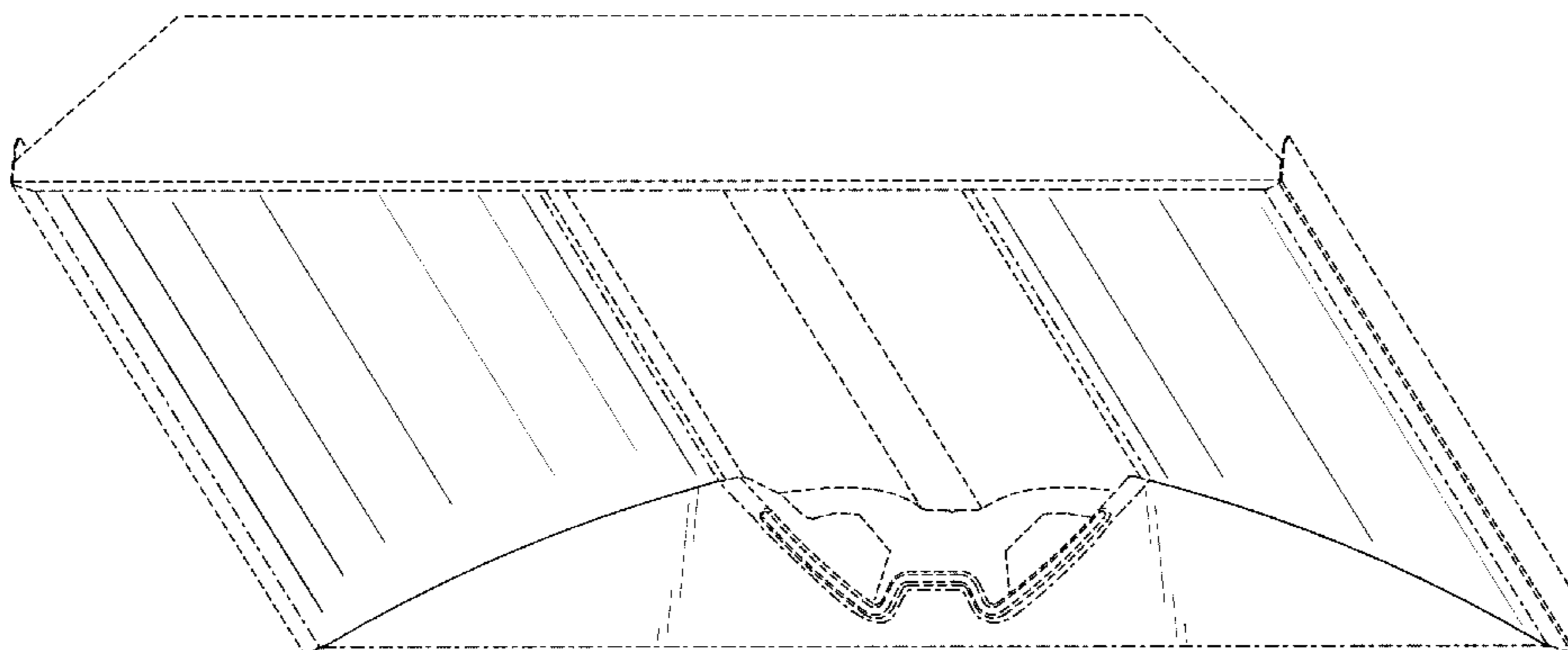
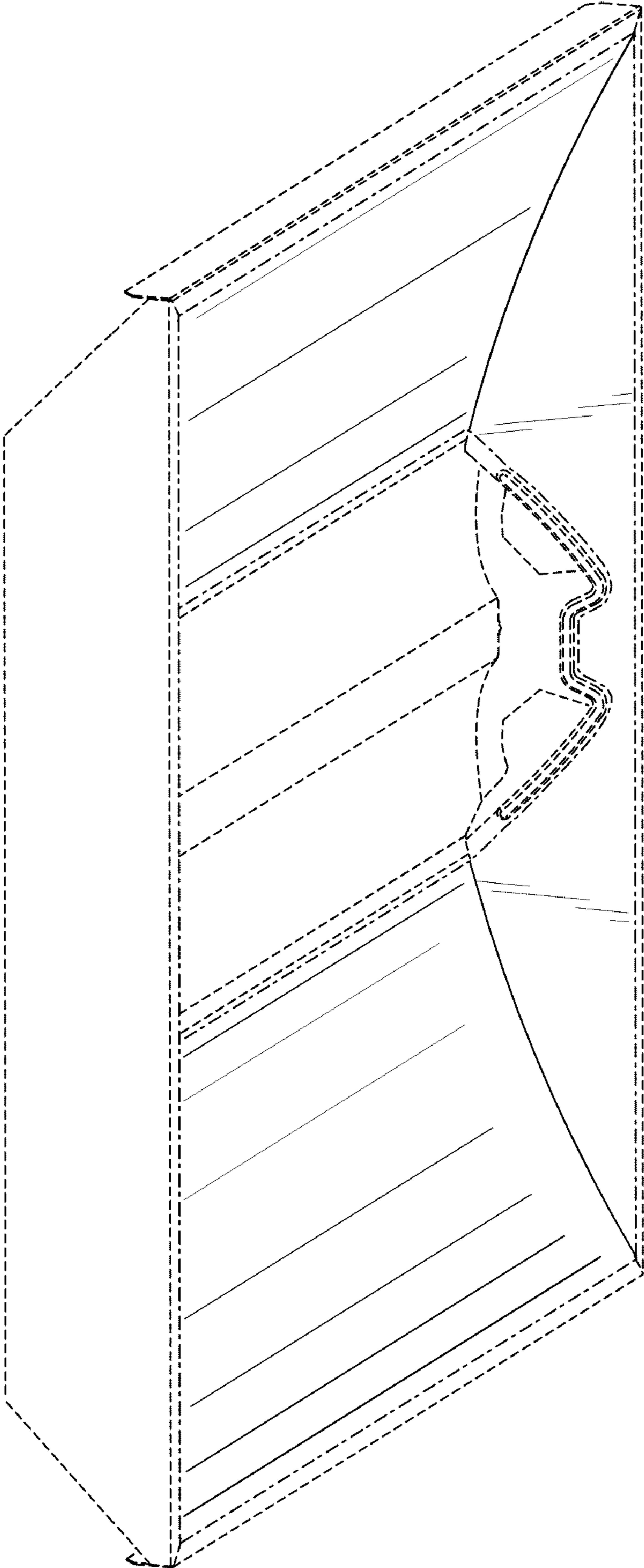
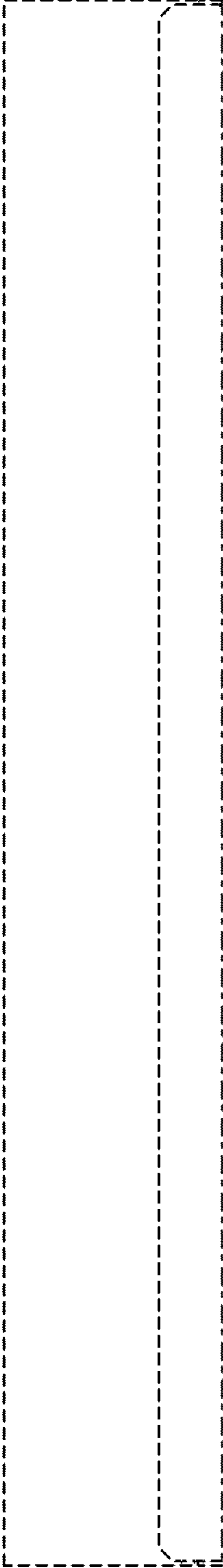


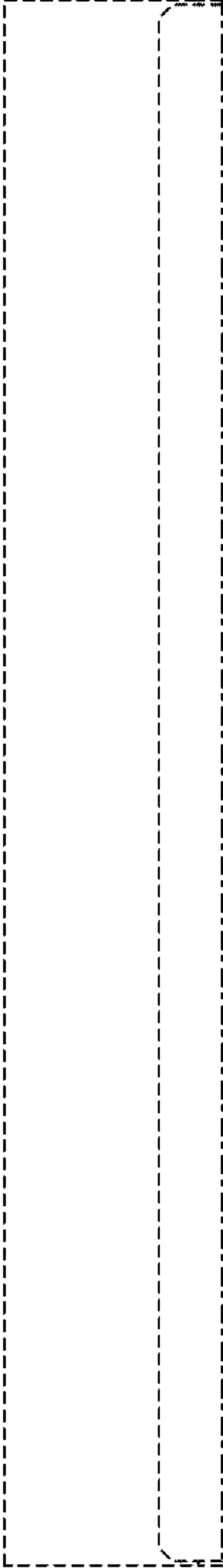
Fig. 1



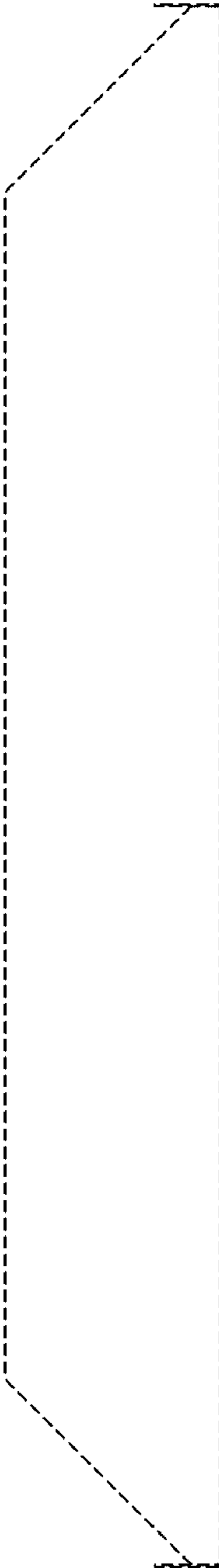
**Fig. 2**



**Fig. 3**



**Fig. 4**



**Fig. 5**



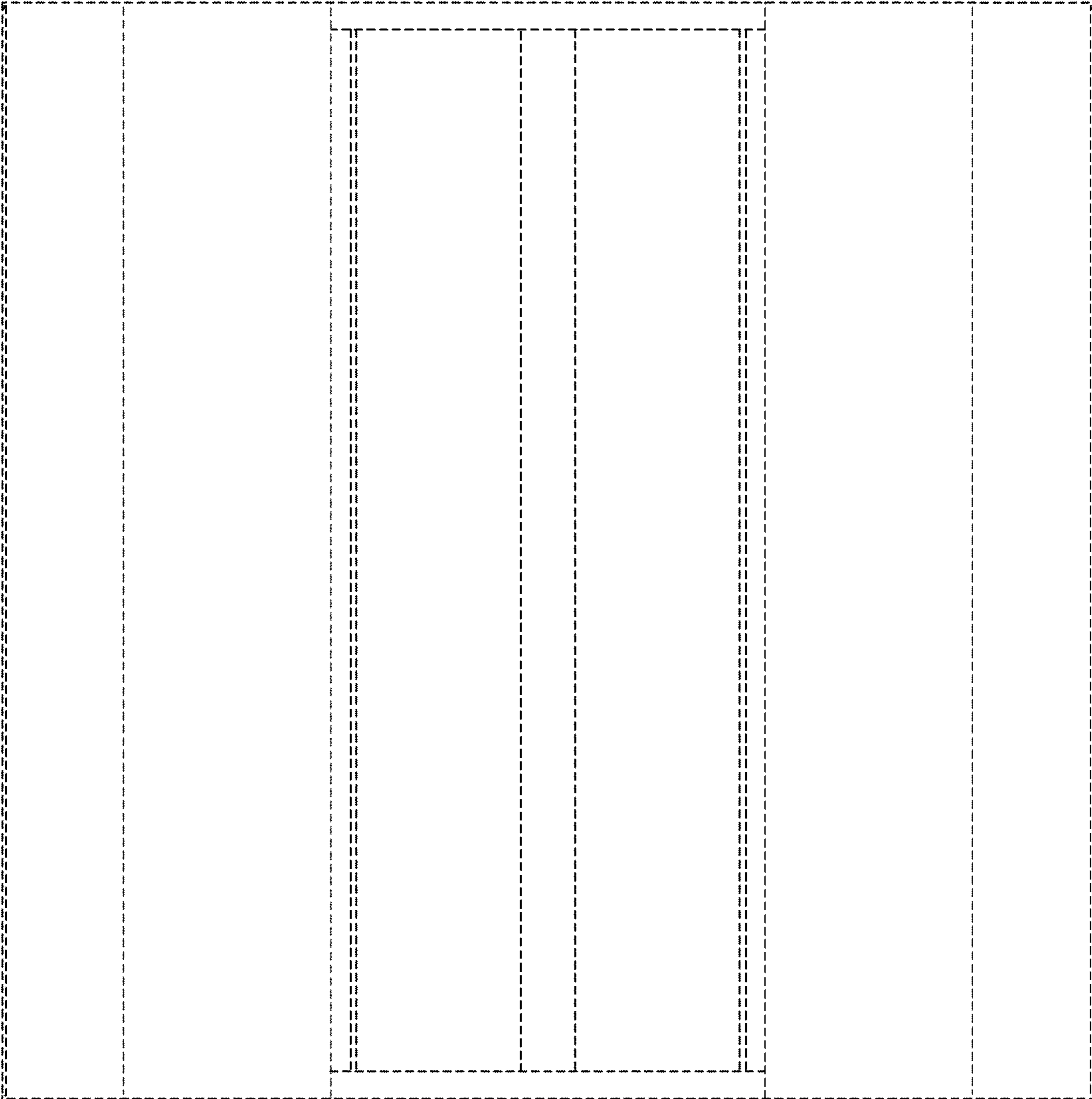


Fig. 6

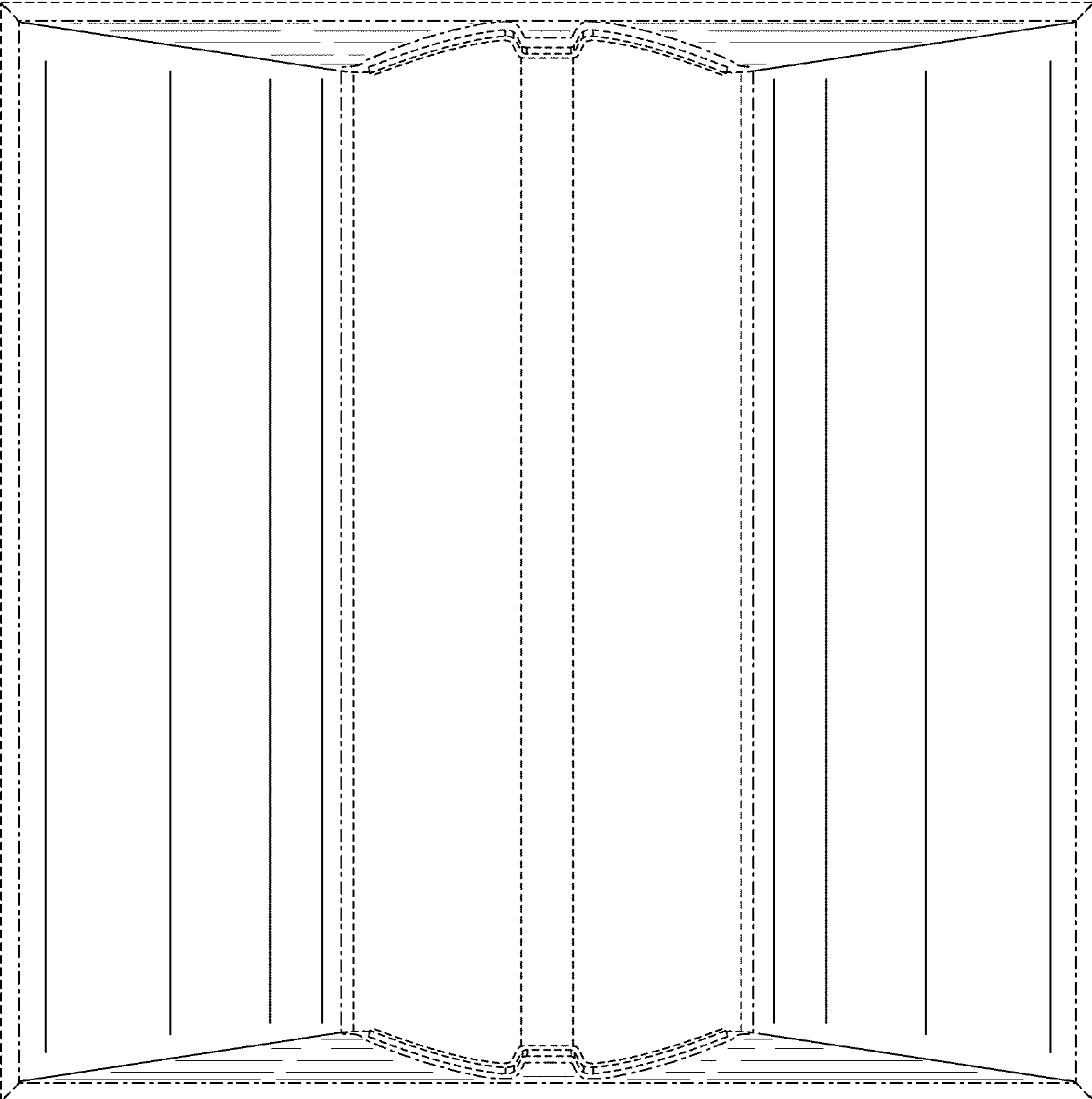
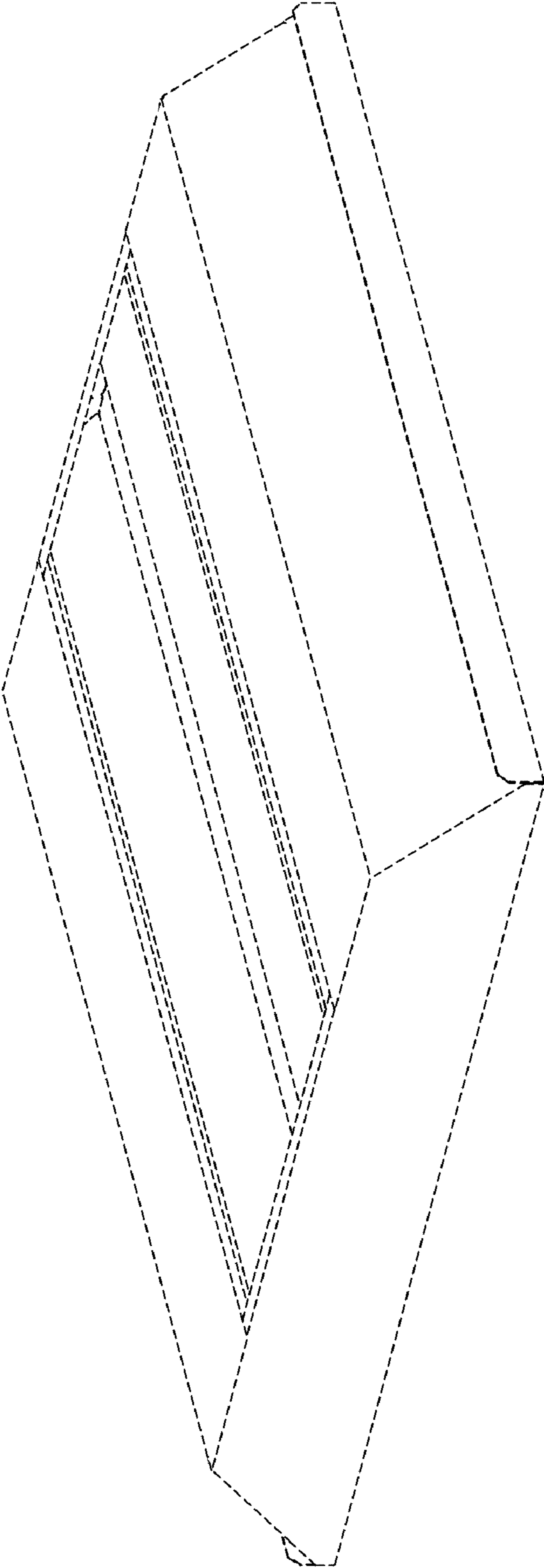


Fig. 7

Fig. 8



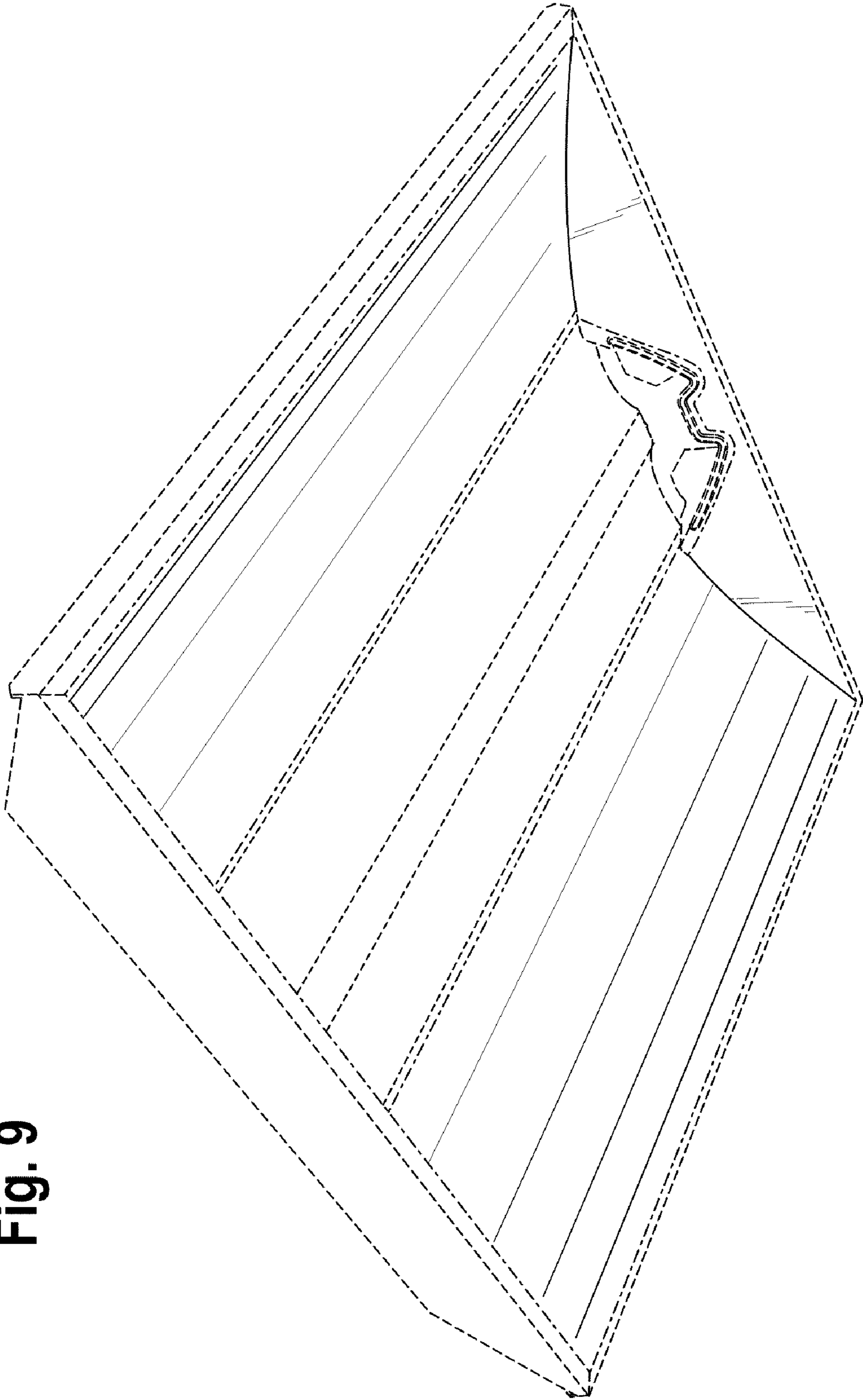
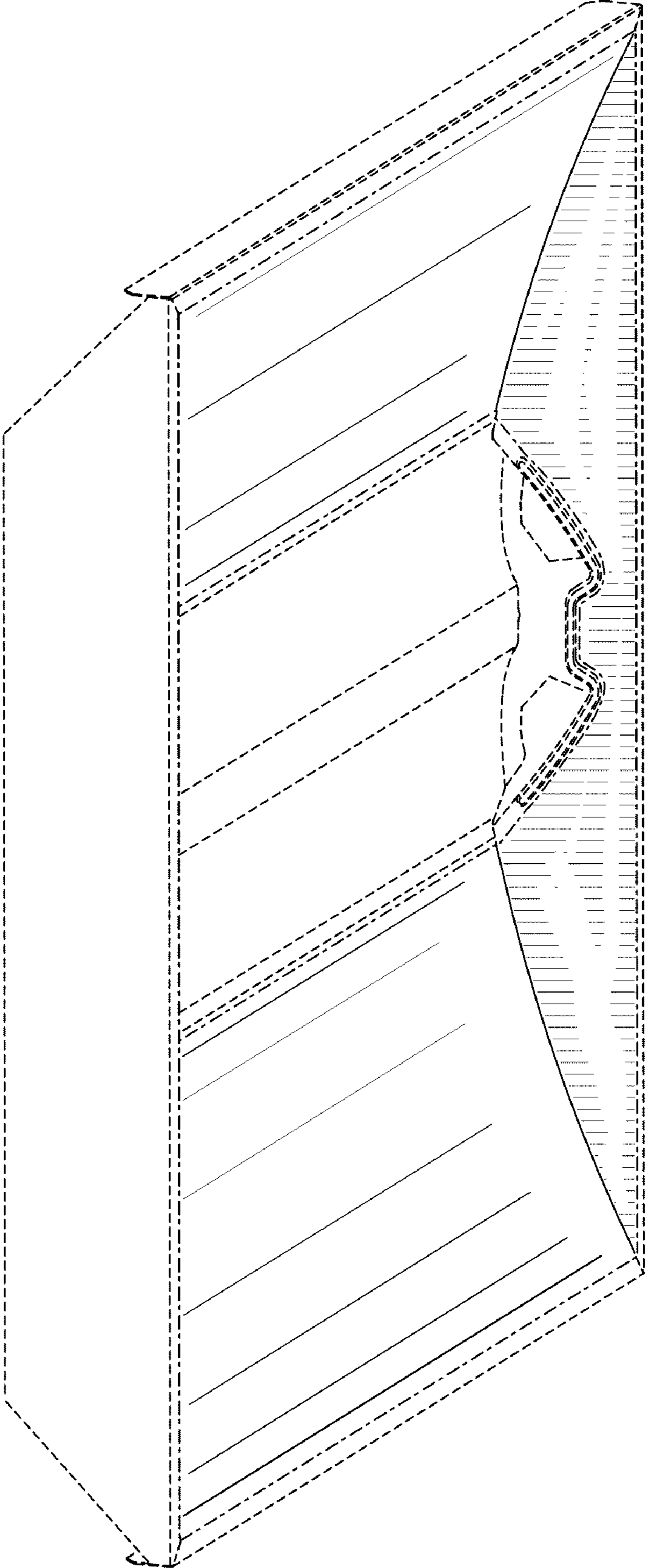


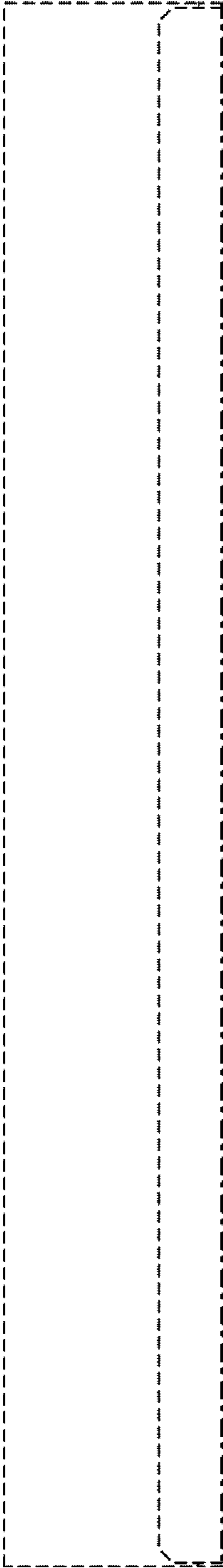
Fig. 9



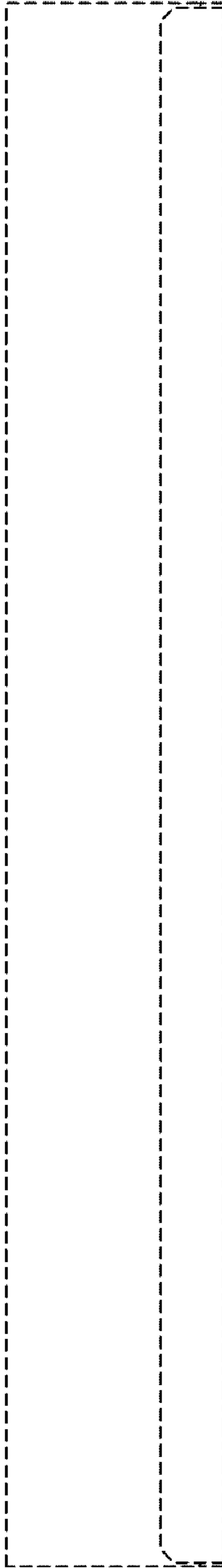
Fig. 10



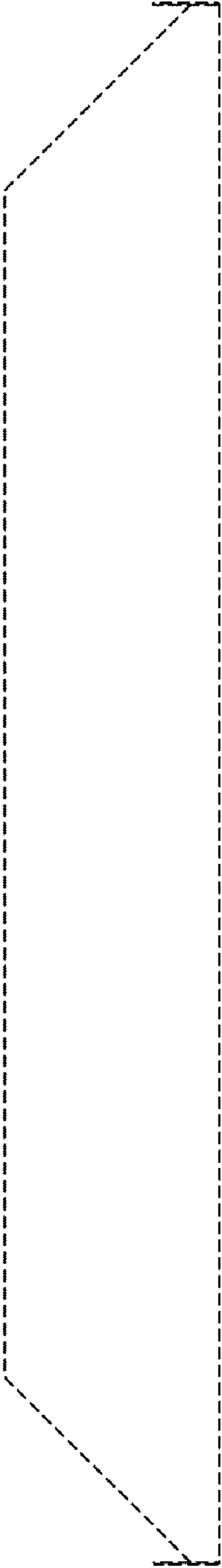
**Fig. 11**



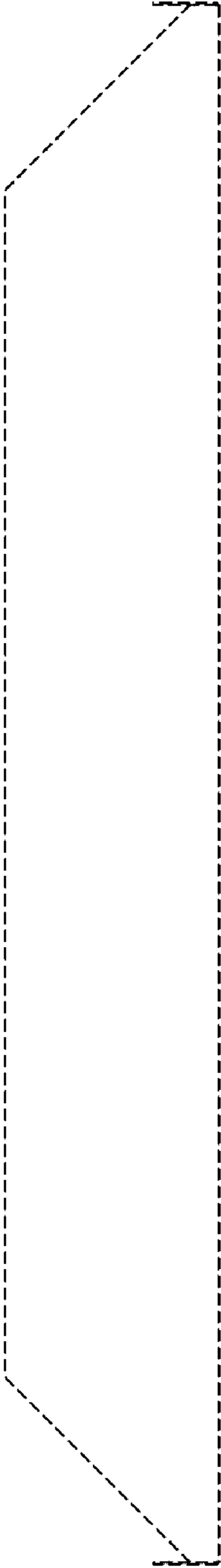
**Fig. 12**



**Fig. 13**



**Fig. 14**



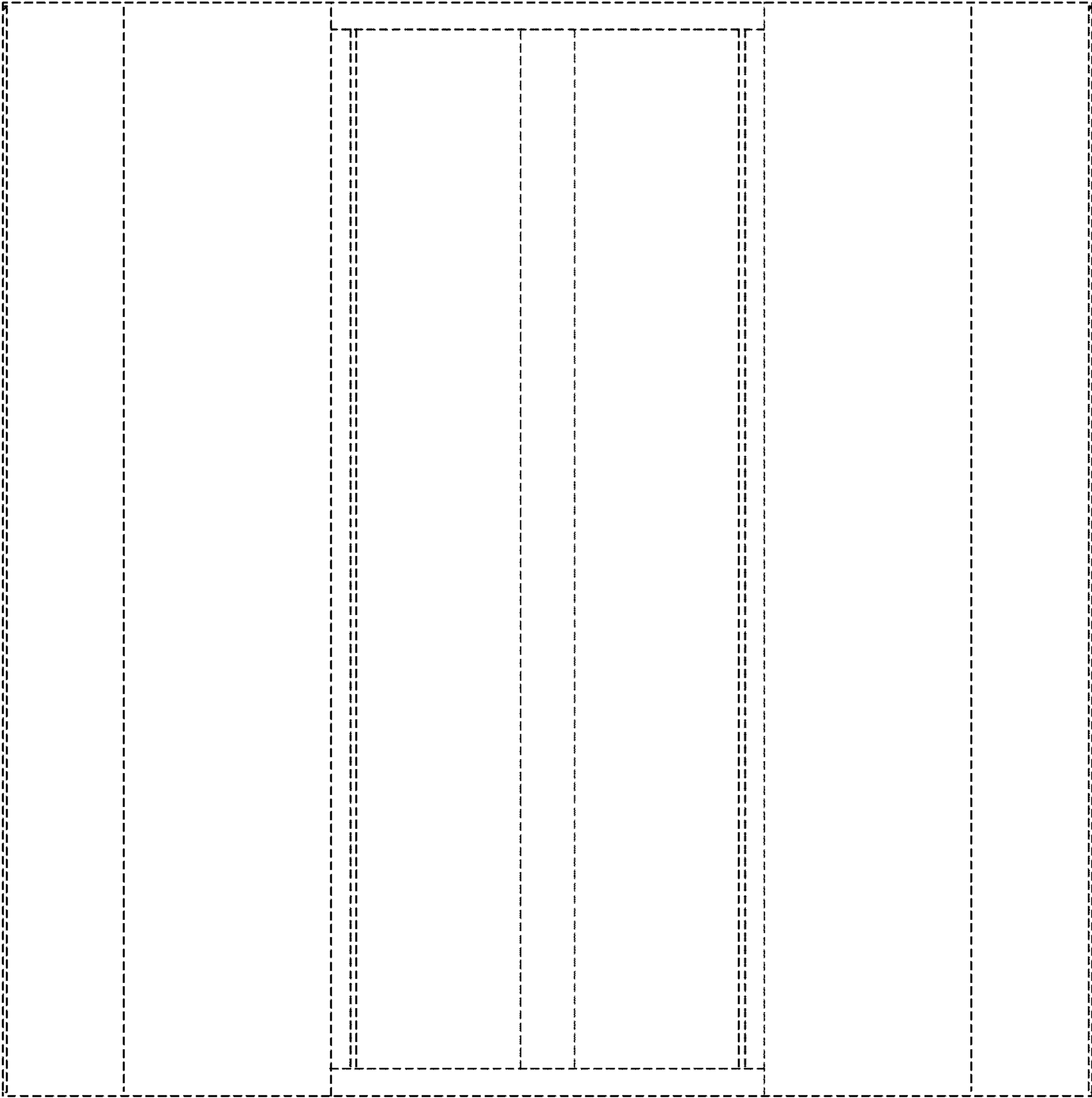


Fig. 15

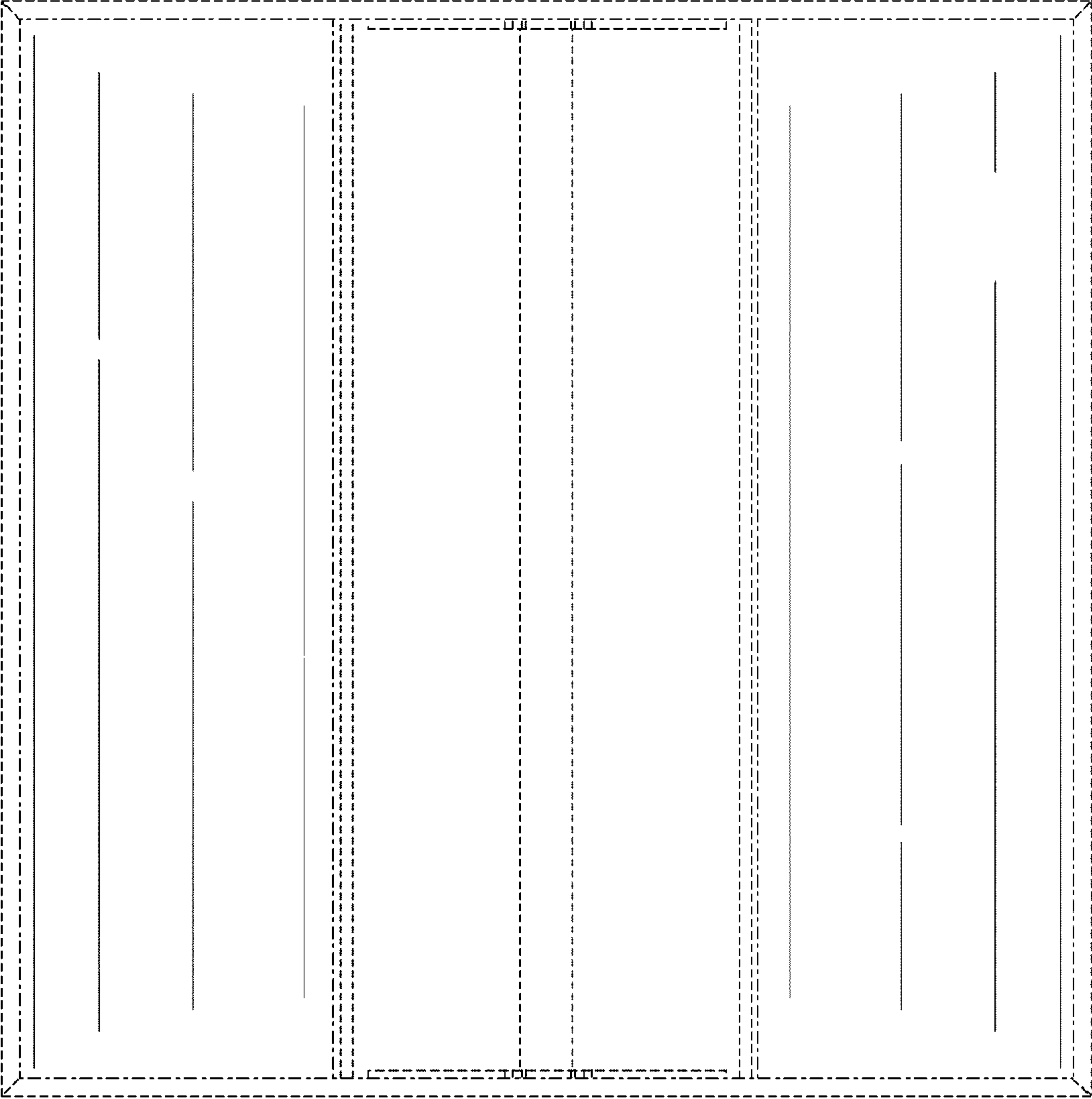
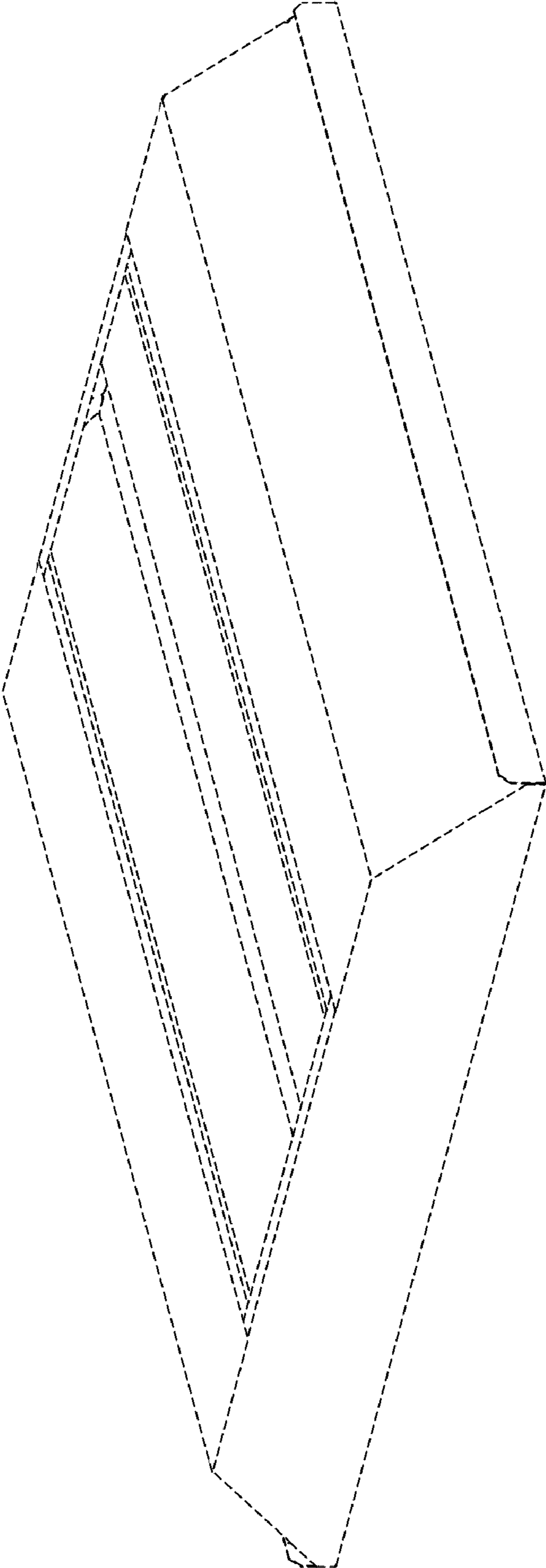


Fig. 16

**Fig. 17**



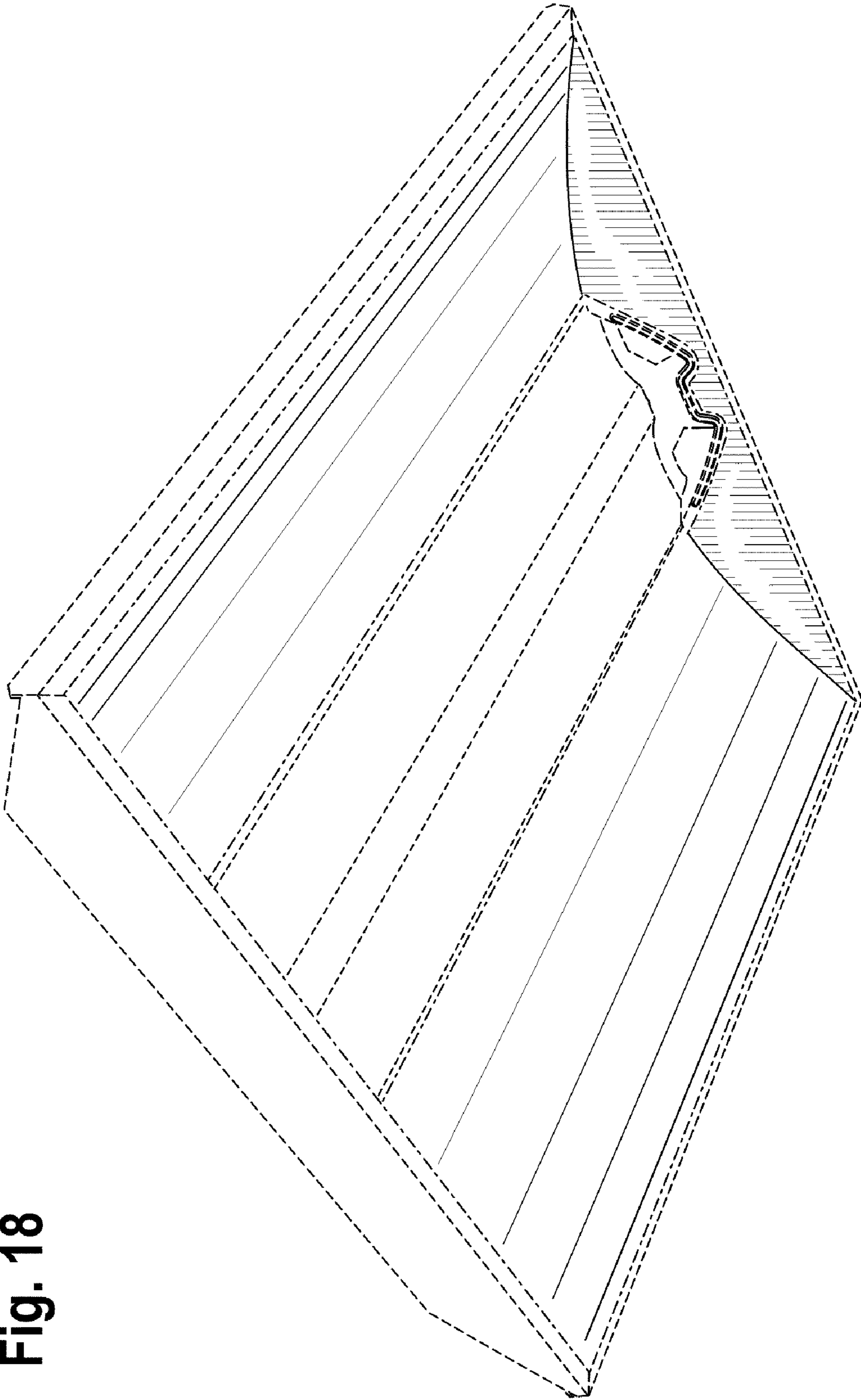


Fig. 18