



US00D620189S

(12) **United States Design Patent**
Hill et al.

(10) **Patent No.:** **US D620,189 S**
(45) **Date of Patent:** **** Jul. 20, 2010**

(54) **PROTECTIVE CASING FOR EXTERIOR LIGHTING FIXTURES**

(76) Inventors: **Coleman Hill**, 2803 Beagle Pl., Seffner, FL (US) 33584; **Marlene Hill**, 2803 Beagle Pl., Seffner, FL (US) 33584

(**) Term: **14 Years**

(21) Appl. No.: **29/315,075**

(22) Filed: **May 22, 2009**

(51) **LOC (9) Cl.** **26-99**

(52) **U.S. Cl.** **D26/119**

(58) **Field of Classification Search** D13/180, D13/179; D16/101, 135; 359/819, 811; D26/120, 121, 122, 123, 124, 76, 138, 152, D26/71, 85, 74, 67, 25, 119, 134, 130, 118, D26/89, 105, 88, 84, 9, 11, 22, 56, 72, 79, D26/113, 128, 129, 137, 140, 141, 142; 362/555, 362/547, 240, 241, 145, 249.01-249.11, 362/152, 219; 52/844; D25/124, 122
See application file for complete search history.

(56) **References Cited**

U.S. PATENT DOCUMENTS

1,734,646	A	11/1929	Polland	
2,353,777	A	7/1944	Weissert	
3,245,162	A	4/1966	McElroy	
3,384,227	A *	5/1968	Spatz	206/420
D257,644	S	12/1980	Gecchelin	
4,646,430	A	3/1987	Clarke	
4,782,554	A *	11/1988	Lawson	16/87.4 R
4,999,755	A	3/1991	Lin	
5,113,328	A *	5/1992	Foster et al.	362/223
5,113,329	A *	5/1992	Lin	362/238
5,311,414	A	5/1994	Branham	
5,390,094	A	2/1995	Evanisko	
5,588,740	A	12/1996	Kasuga	
5,594,628	A	1/1997	Reuter	
5,702,176	A	12/1997	Engle	
D390,600	S	2/1998	Jordan	
5,813,751	A	9/1998	Shaffer	
5,816,677	A	10/1998	Kurematsu	
5,842,297	A *	12/1998	Tung	40/546
5,906,427	A	5/1999	Noh	

6,033,088	A	3/2000	Contigiani	
6,050,700	A	4/2000	Satterfield	
6,068,389	A *	5/2000	Lai	362/396
6,186,644	B1 *	2/2001	Mosseau	362/249.01
6,253,385	B1	7/2001	Fields	
6,296,967	B1	10/2001	Jacobs et al.	
6,309,086	B1 *	10/2001	Tomlinson	362/240
6,364,508	B1 *	4/2002	Moreland	362/241
6,474,840	B2 *	11/2002	Padermos	362/145
6,572,239	B1 *	6/2003	Harbin	362/145
6,652,112	B1 *	11/2003	Lucarelli	362/145
6,736,525	B2 *	5/2004	Chin	362/235
6,761,472	B1	7/2004	Cleaver	

(Continued)

Primary Examiner—T. Chase Nelson
Assistant Examiner—Kevin K Rudzinski

(57) **CLAIM**

The ornamental design for a protective casing for exterior lighting fixtures, as shown and described.

DESCRIPTION

This application claims the benefit of U.S. Design application Ser. No. 29/293,347, filed Nov. 19, 2007, the entire disclosures of which are incorporated herein by reference.

FIG. 1 is an open perspective view of a protective casing for exterior lighting fixtures showing my new design;

FIG. 2 is a closed perspective view thereof;

FIG. 3 is a front elevational view thereof;

FIG. 4 is a rear elevational thereof;

FIG. 5 is a top plan view thereof;

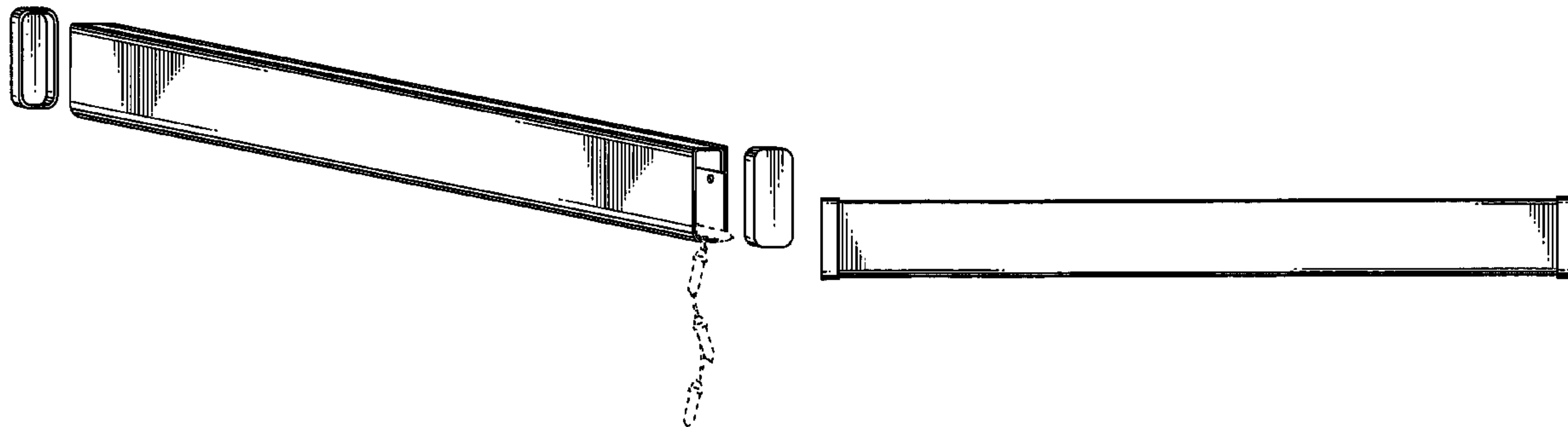
FIG. 6 is a bottom plan view thereof;

FIG. 7 is a right side elevation view thereof; and,

FIG. 8 is a left side elevational view thereof.

The broken lines shown on the figures are for illustrative purposes only and are hereby disclaimed as forming no part of Applicant's claimed invention.

1 Claim, 2 Drawing Sheets



US D620,189 S

Page 2

U.S. PATENT DOCUMENTS

D494,307 S	8/2004	Yu et al.		6,924,060 B2	8/2005	Hamada
6,846,092 B2 *	1/2005	Taylor et al.	362/235	2006/0044832 A1	3/2006	Feng
6,851,832 B2	2/2005	Tieszen				

* cited by examiner

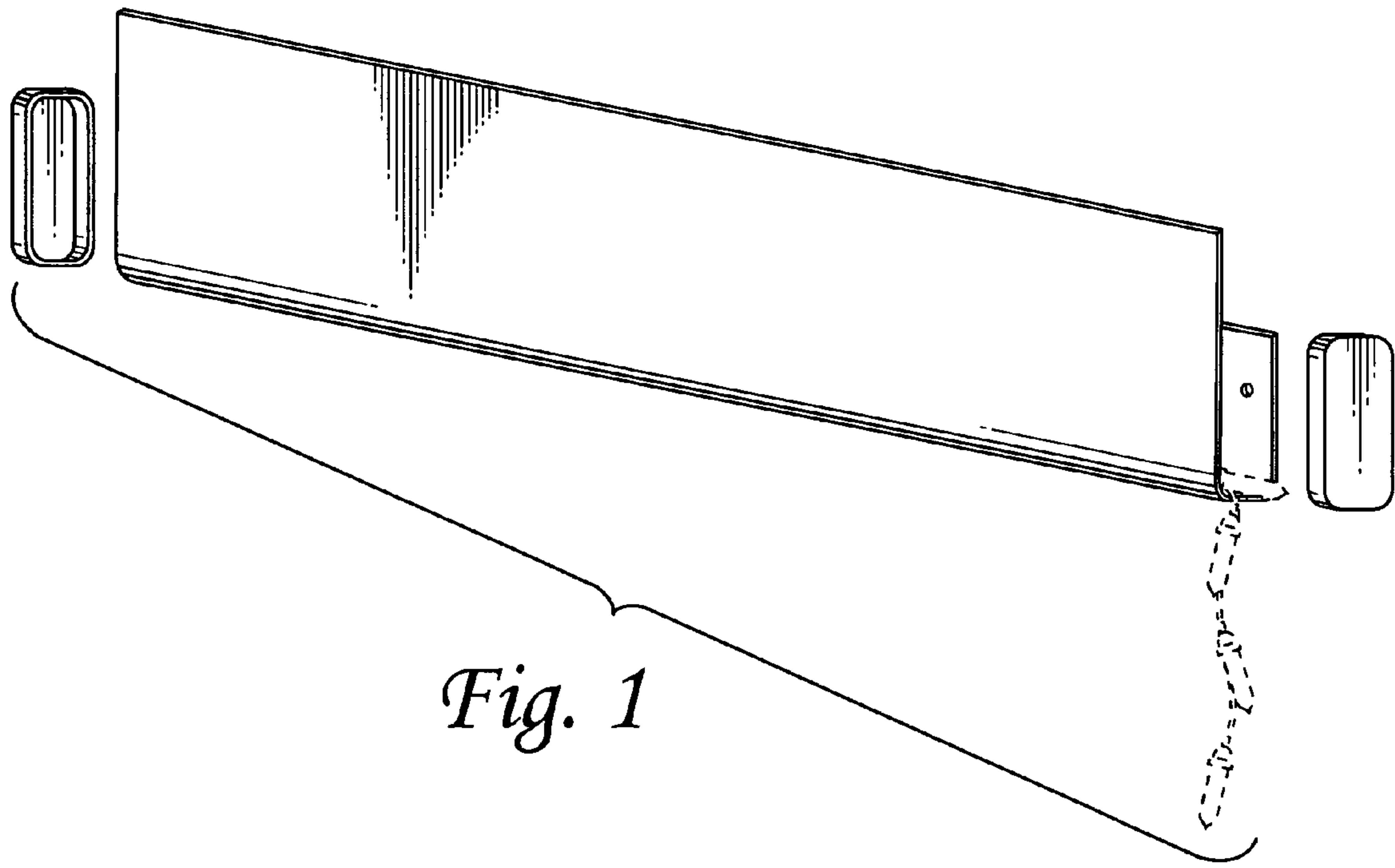


Fig. 1

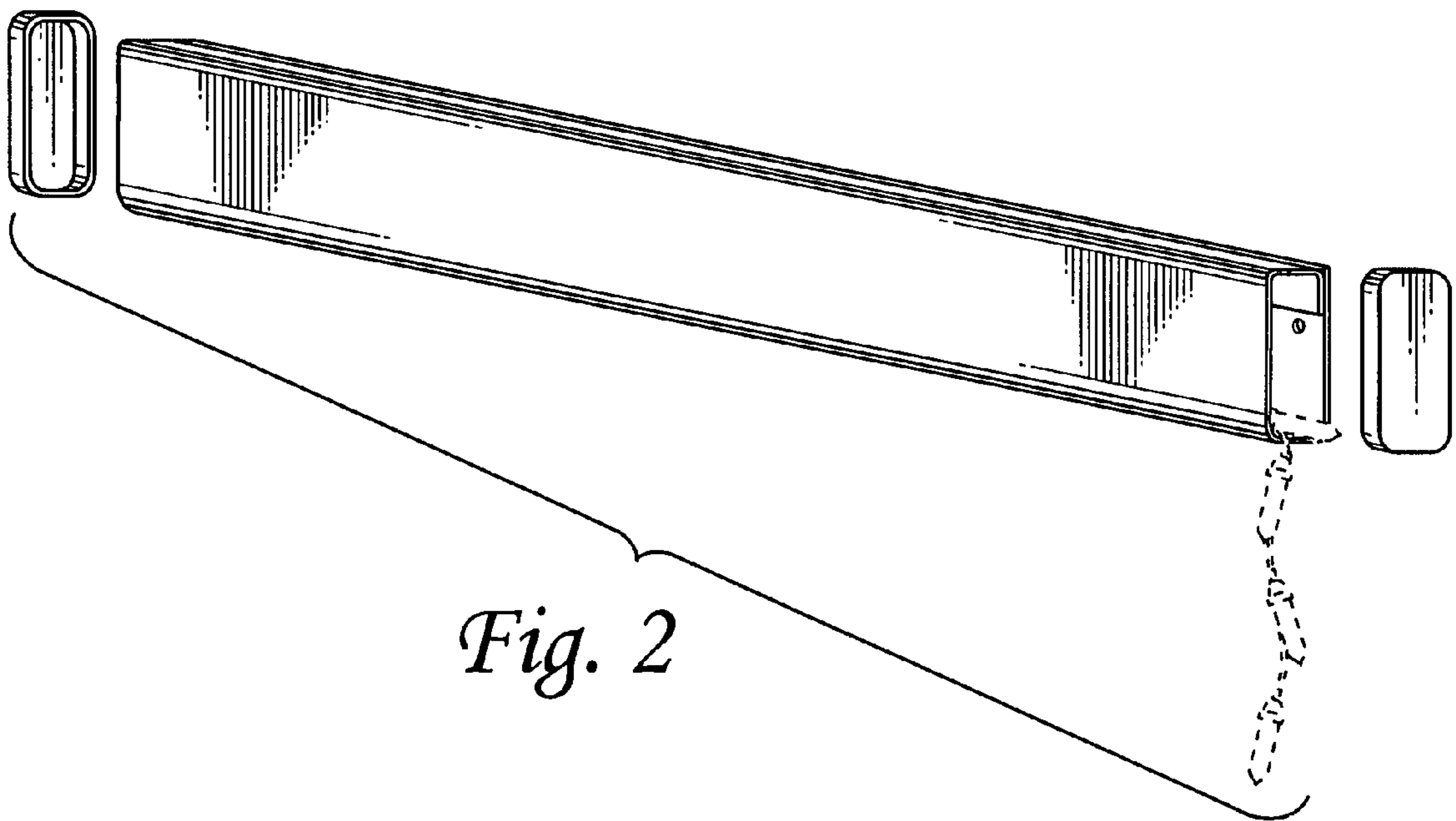


Fig. 2



Fig. 3

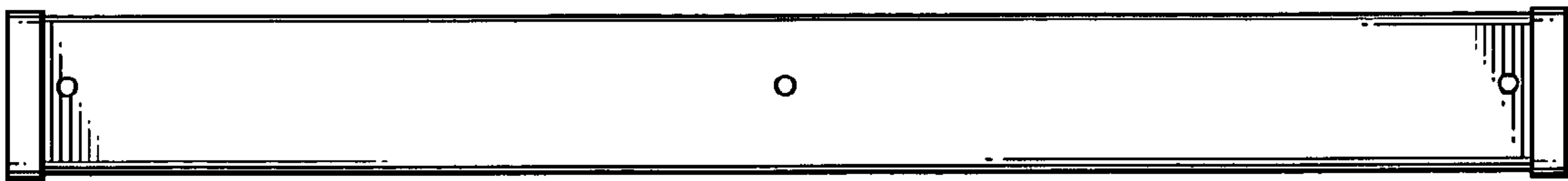


Fig. 4

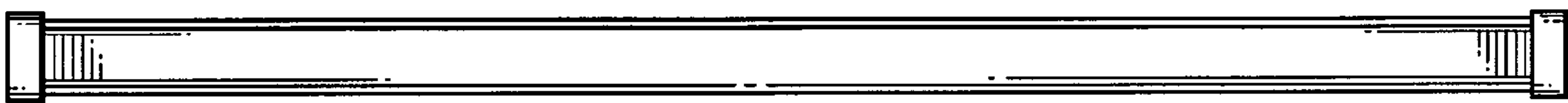


Fig. 5

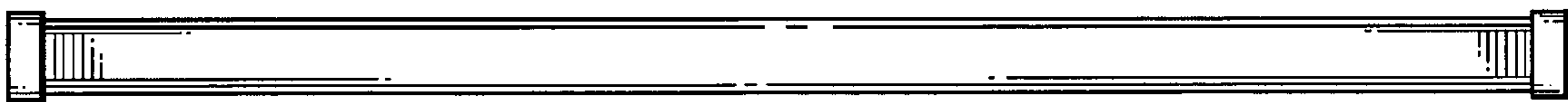


Fig. 6

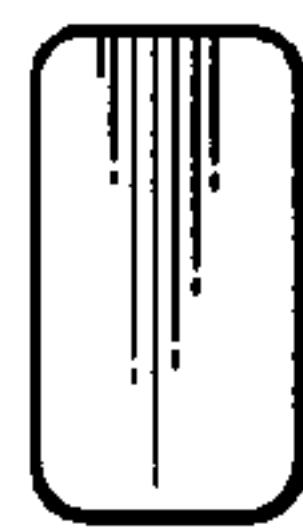


Fig. 7

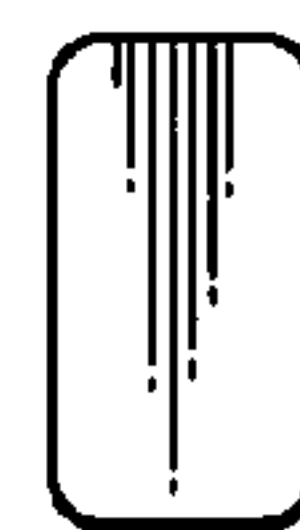


Fig. 8