



US00D620188S

(12) **United States Design Patent**  
**Sabernig**

(10) **Patent No.:** **US D620,188 S**

(45) **Date of Patent:** **\*\* Jul. 20, 2010**

(54) **LIGHT FIXTURE**

(75) Inventor: **Robert Sabernig**, Munster (AT)

(73) Assignee: **EGLO Leuchten GmbH**, Innsbruck (AT)

(\*\*) Term: **14 Years**

(21) Appl. No.: **29/354,658**

(22) Filed: **Jan. 27, 2010**

(51) **LOC (9) Cl.** ..... **26-99**

(52) **U.S. Cl.** ..... **D26/118**

(58) **Field of Classification Search** ..... D26/124,  
D26/123, 129, 130, 131, 120, 113, 152, 138,  
D26/72, 77, 81, 83, 139, 85, 71, 87, 26, 118,  
D26/125, 73, 9, 134, 84, 127, 63, 50, 119,  
D26/60, 67, 128, 88, 86, 141, 142, 145, 153,  
D26/154, 155, 76, 78, 122; 428/26; 362/147,  
362/351, 365, 350, 348, 335, 364, 235, 249.02,  
362/294, 345, 366, 249.1, 25, 240, 376, 221,  
362/223, 325, 342; D12/163, 193; D11/125,  
D11/121, 49, 117, 184; D1/106, 107; D23/366;  
D6/332

See application file for complete search history.

(56) **References Cited**

**U.S. PATENT DOCUMENTS**

D39,323	S	*	5/1908	Phelps	.....	D26/128
D158,208	S	*	4/1950	Ludquist	.....	D26/63
D158,617	S	*	5/1950	Rosenberg	.....	D26/63
2,745,949	A	*	5/1956	Borin	.....	362/277
D178,212	S	*	7/1956	Schreckengost	.....	D26/89
2,826,679	A	*	3/1958	Irmischer et al.	.....	362/269
D200,591	S	*	3/1965	Odle	.....	D26/121
D215,174	S	*	9/1969	Denson	.....	D26/128
D232,050	S	*	7/1974	Gore	.....	D26/88
D233,779	S	*	11/1974	Kennedy	.....	D26/63
4,001,572	A	*	1/1977	Stein	.....	362/267
D285,977	S	*	9/1986	De Pas et al.	.....	D26/90

D323,904	S	*	2/1992	Camino et al.	.....	D26/67
D324,433	S	*	3/1992	Camino et al.	.....	D26/67
D444,899	S	*	7/2001	Bossy	.....	D26/68
D456,550	S	*	4/2002	Clodagh	.....	D26/85
D473,006	S	*	4/2003	Lara	.....	D26/88
D488,246	S	*	4/2004	Lee	.....	D26/63
D529,216	S	*	9/2006	Izardel	.....	D26/67
D548,877	S	*	8/2007	Chen	.....	D26/128
D571,948	S	*	6/2008	Chen	.....	D26/118
D574,546	S	*	8/2008	Morrison	.....	D26/88
D592,798	S	*	5/2009	Chandler	.....	D26/118
D596,337	S	*	7/2009	Sabernig	.....	D26/88

\* cited by examiner

*Primary Examiner*—Cathron C Brooks

*Assistant Examiner*—Kevin K Rudzinski

(74) *Attorney, Agent, or Firm*—Baker & McKenzie LLP

(57) **CLAIM**

The ornamental design for a light fixture, as shown and described.

**DESCRIPTION**

FIG. 1 is a perspective view of a light fixture in accordance with my design;

FIG. 2 is a top plan view of the light fixture in accordance with my design;

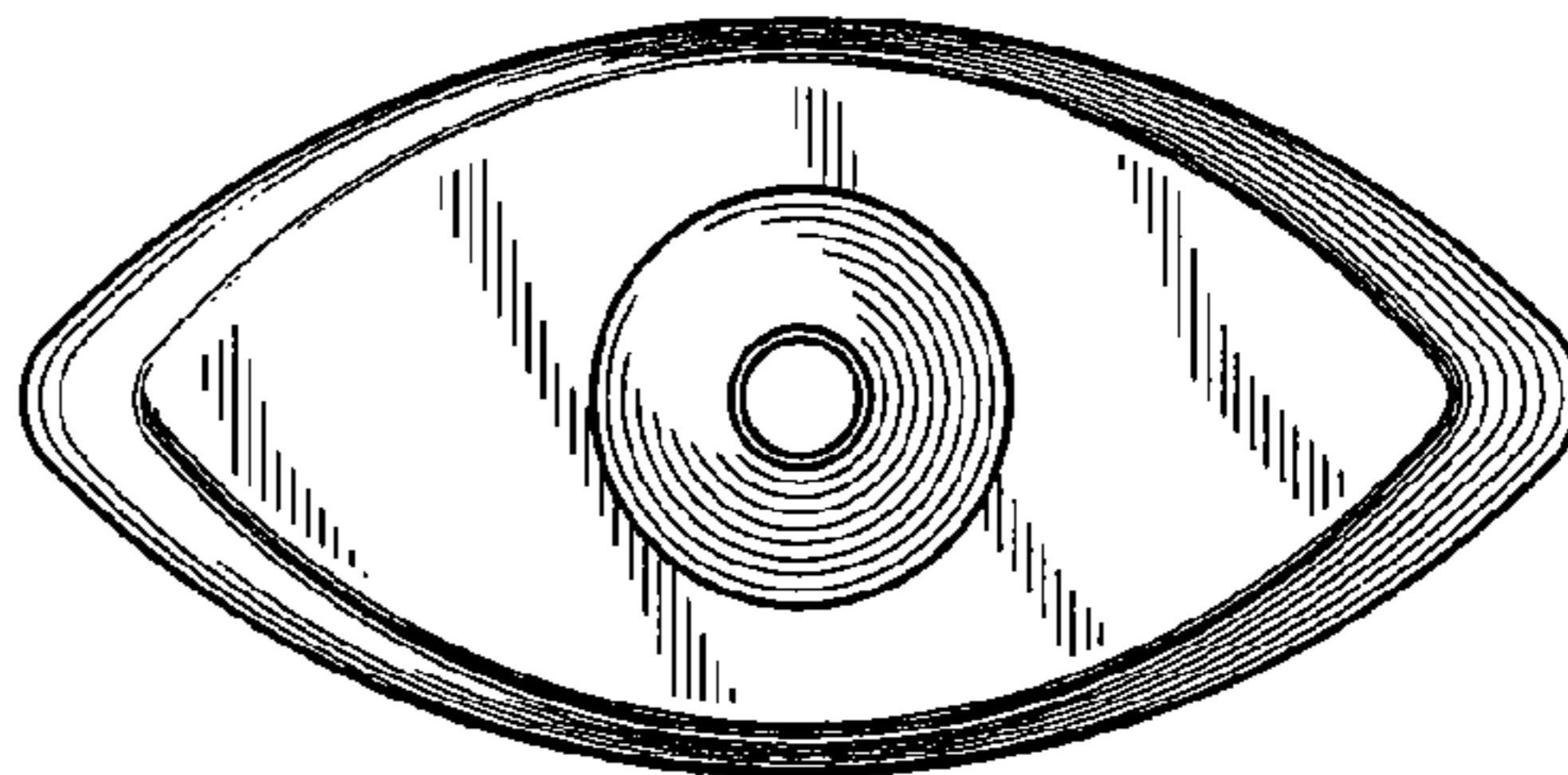
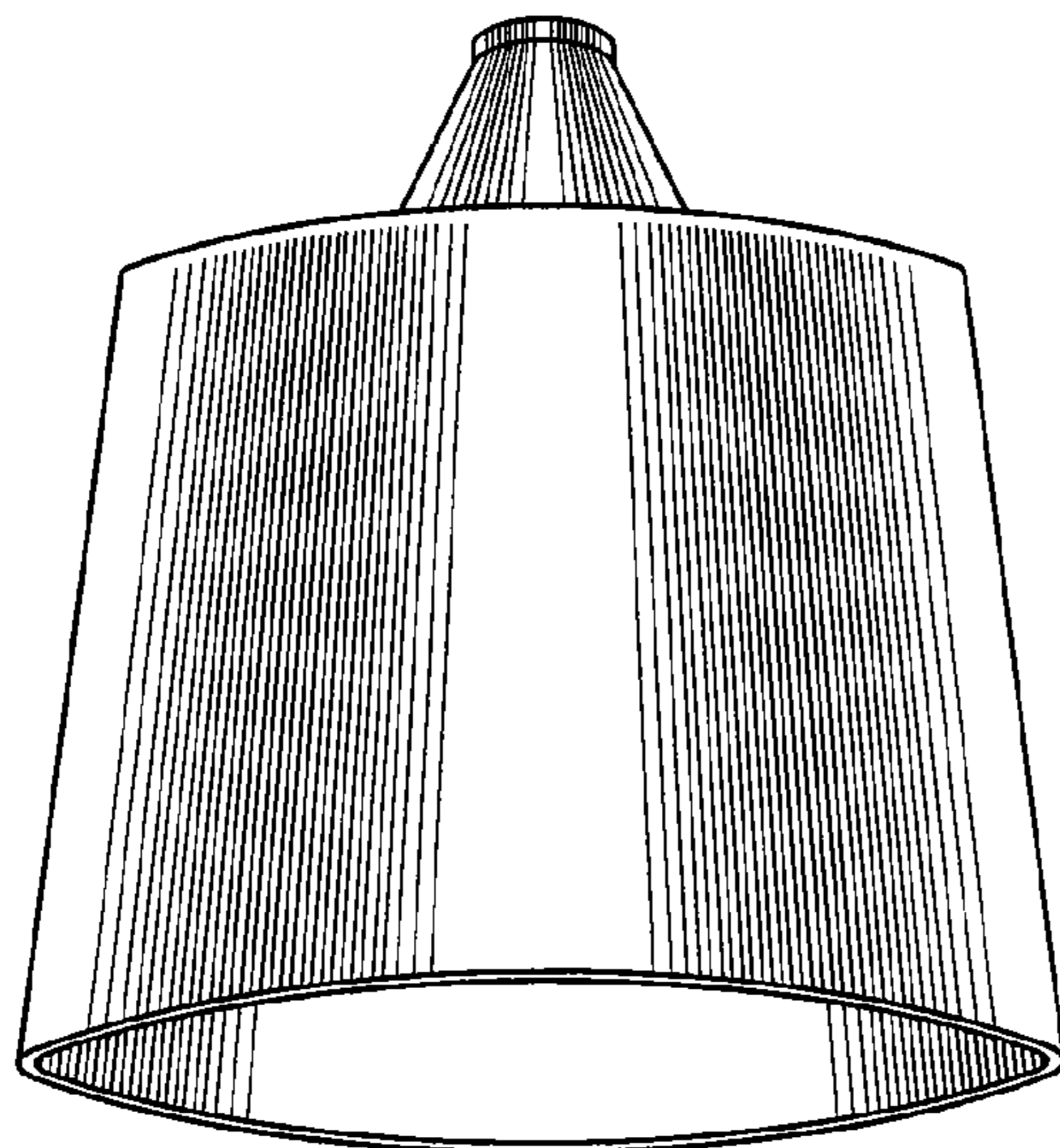
FIG. 3 is a bottom plan view of the light fixture in accordance with my design;

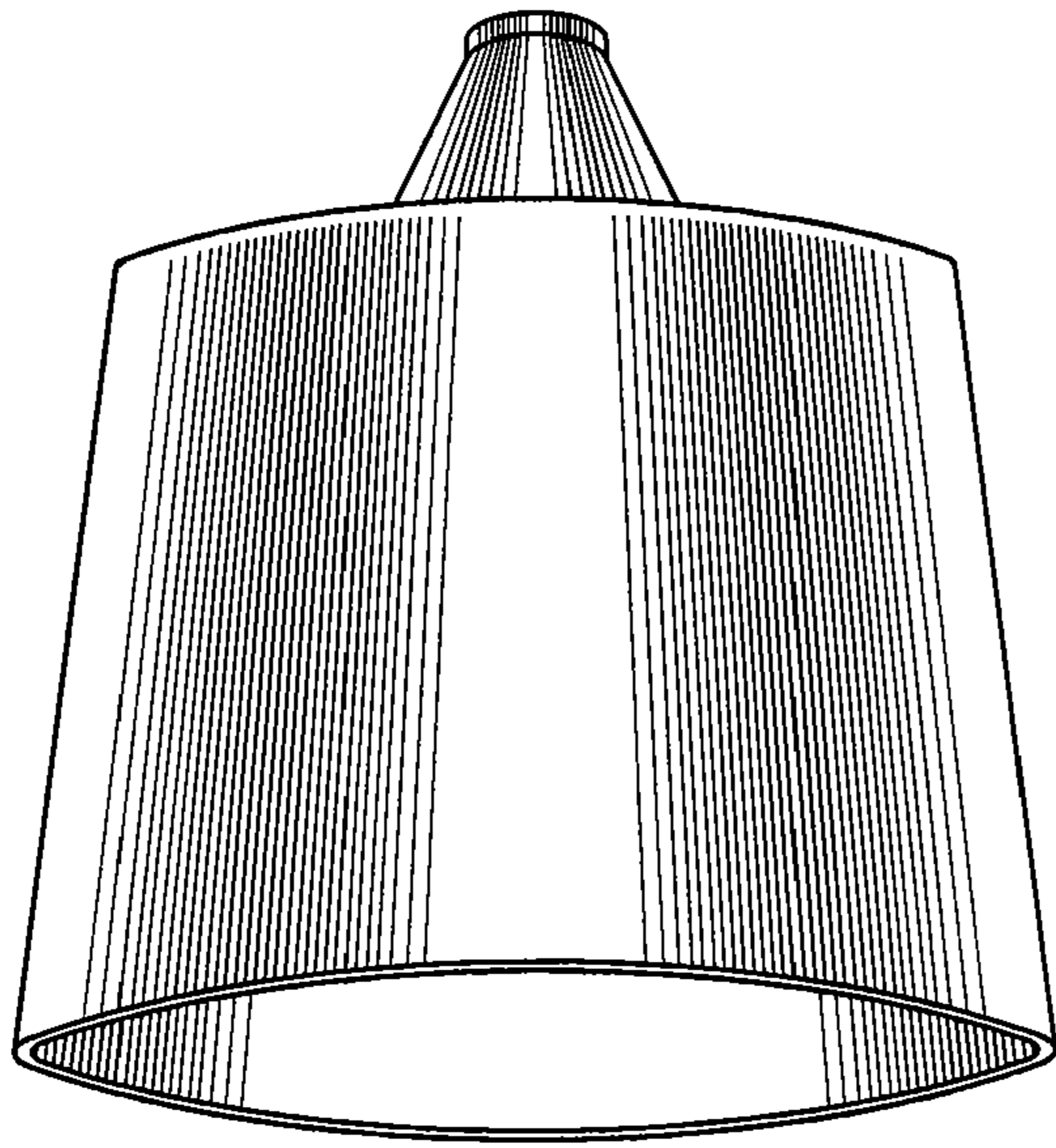
FIG. 4 is a front elevation view of the light fixture in accordance with my design, the opposite view being a mirror image of that shown; and,

FIG. 5 is a side elevation view of the light fixture in accordance with my design, the opposite view being a mirror image of that shown.

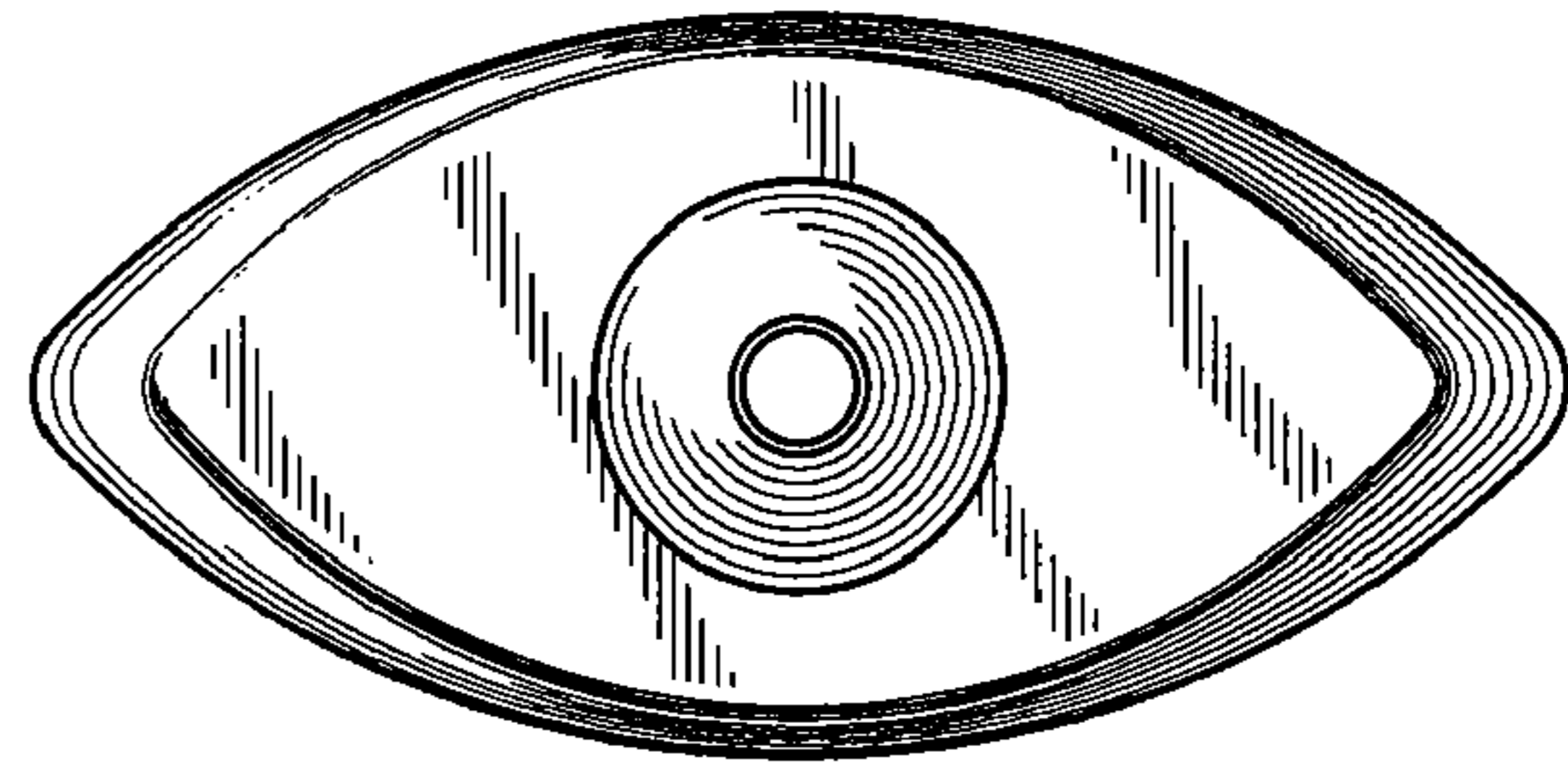
The broken-line disclosure of elements is understood to represent portions of the article in which the design is embodied, but which form no part of the claimed design.

**1 Claim, 1 Drawing Sheet**

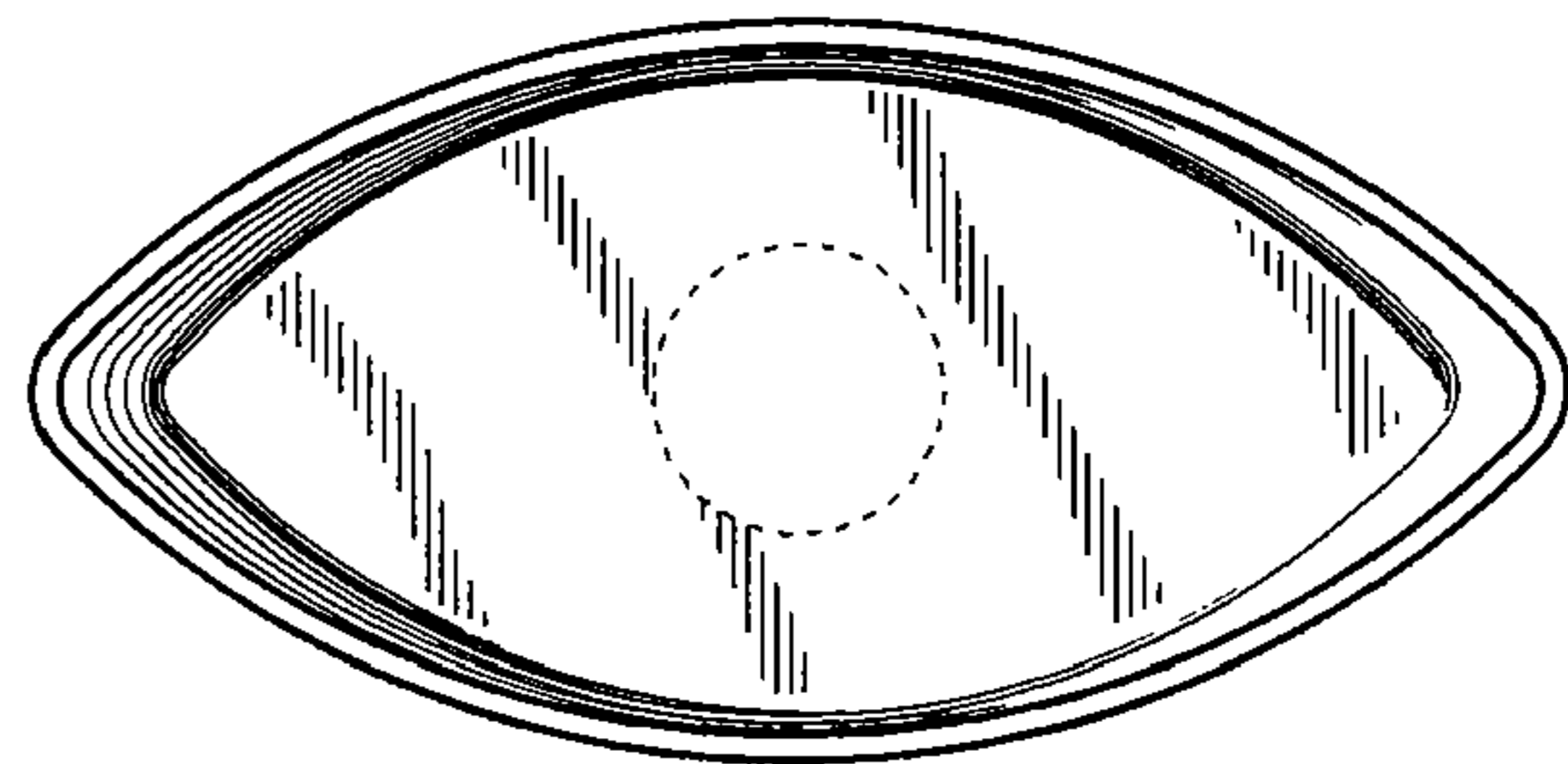




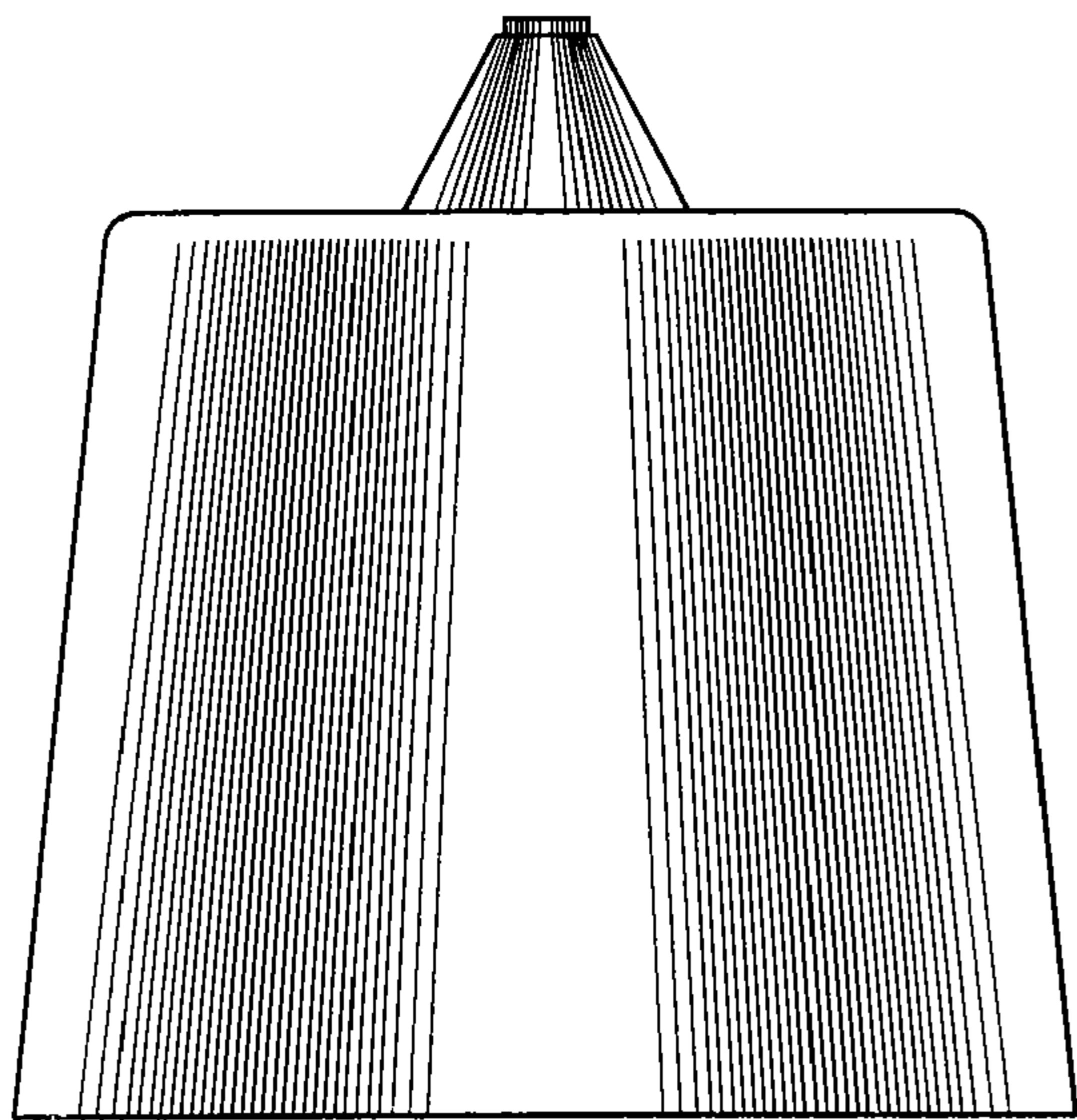
*Fig.1*



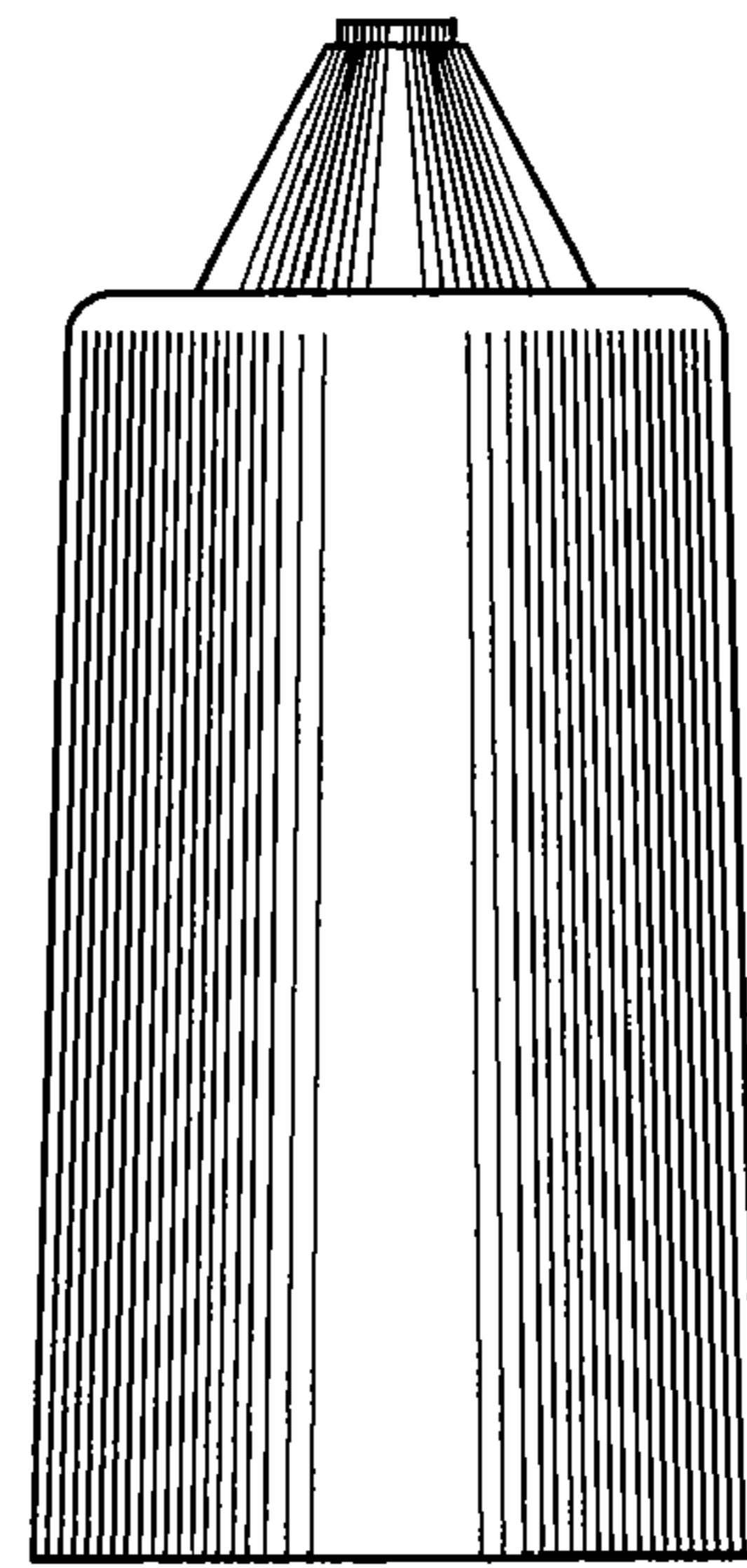
*Fig.2*



*Fig.3*



*Fig.4*



*Fig.5*