



US00D620184S

(12) **United States Design Patent**
Sabernig

(10) **Patent No.:** **US D620,184 S**

(45) **Date of Patent:** **** Jul. 20, 2010**

(54) **LIGHT FIXTURE**

(75) Inventor: **Robert Sabernig**, Munster (AT)

(73) Assignee: **EGLO Leuchten GmbH**, Innsbruck (AT)

(**) Term: **14 Years**

(21) Appl. No.: **29/354,674**

(22) Filed: **Jan. 27, 2010**

(51) **LOC (9) Cl.** **26-03**

(52) **U.S. Cl.** **D26/88; D26/84**

(58) **Field of Classification Search** D26/84–86,
D26/88–91, 118, 128, 137; 362/147, 404–408,
362/431, 432

See application file for complete search history.

(56) **References Cited**

U.S. PATENT DOCUMENTS

D198,539 S *	6/1964	Freed	D26/70
D204,013 S *	3/1966	Hall	D26/128
D314,059 S *	1/1991	O'Neil	D26/73
D397,821 S *	9/1998	Palmarì	D26/84
D426,342 S *	6/2000	Hoffbauer	D26/128
D446,337 S *	8/2001	Benghozi	D26/86
D482,158 S *	11/2003	Velikov et al.	D26/128
D563,023 S *	2/2008	Hetfield et al.	D26/72
D563,024 S *	2/2008	Hetfield et al.	D26/72
D583,498 S *	12/2008	Meyer et al.	D26/89

OTHER PUBLICATIONS

“Conus” flushmount fixture #E20663-20 on p. 70; “Frost” pendant #E22002-10 on p. 151; and “Frost” pendant #E22001-10 on p. 152. All from the ET2 Lighting 2007 Catalog. (3 pages).*

“Tromba” Pendants #140-6 and #140-3L on p. 317 of the 2009 Elk Lighting Catalog.*

* cited by examiner

Primary Examiner—Clare E Heflin

(74) *Attorney, Agent, or Firm*—Baker & McKenzie LLP

(57) **CLAIM**

The ornamental design for a light fixture, as shown and described.

DESCRIPTION

FIG. 1 is a perspective view of a light fixture in accordance with my design;

FIG. 2 is a front elevation view of the light fixture in accordance with my design;

FIG. 3 is a back elevation view of the light fixture in accordance with my design;

FIG. 4 is a bottom plan view of the light fixture in accordance with my design;

FIG. 5 is a top plan view of the light fixture in accordance with my design;

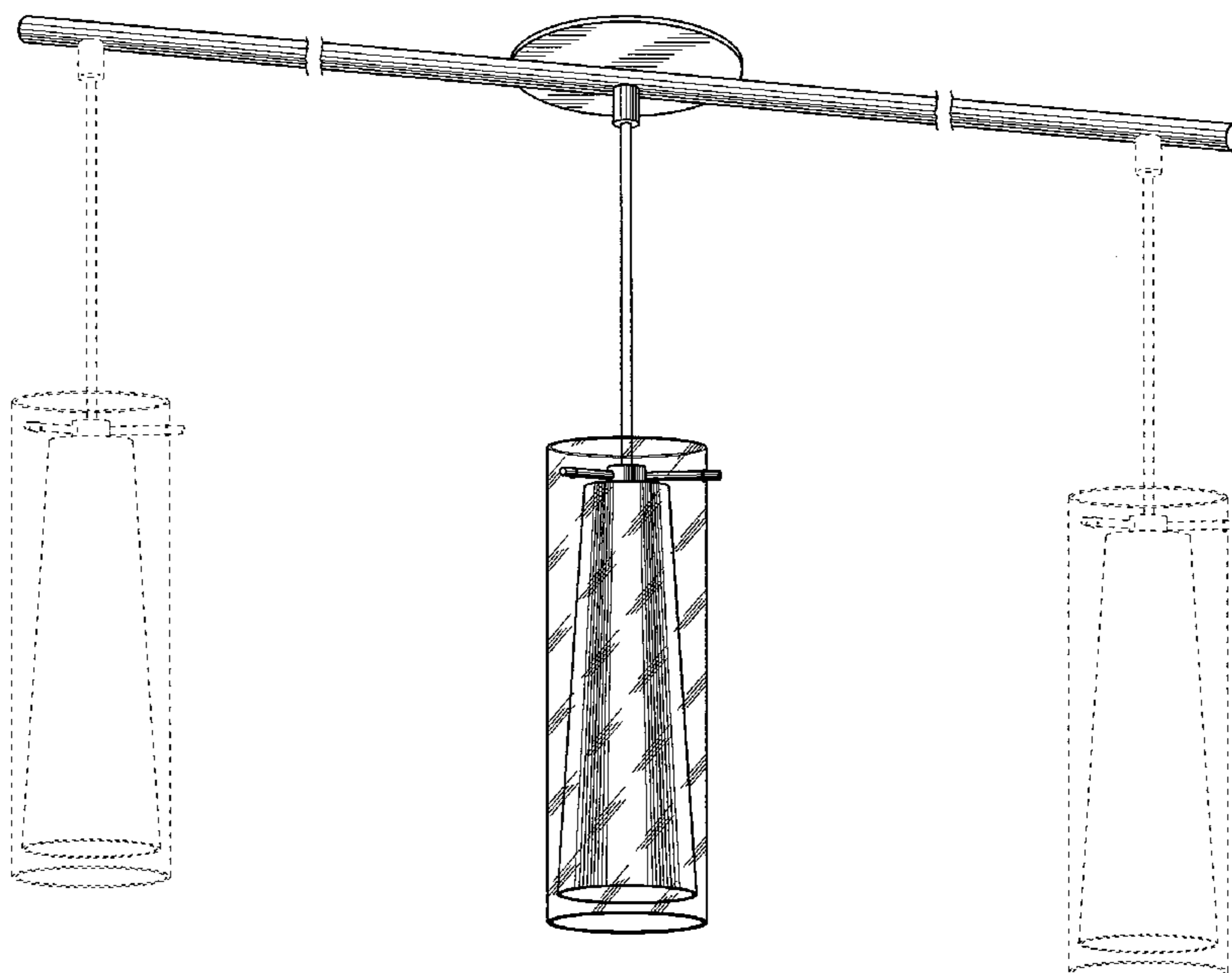
FIG. 6 is a side elevation view of the light fixture in accordance with my design taken along the lines 6—6 of FIG. 3; and,

FIG. 7 is an opposite side elevation view of the light fixture in accordance with my design taken along the lines 7—7 of FIG. 3.

The broken-line disclosure of elements is understood to represent portions of the article in which the design is embodied, but which form no part of the claimed design.

The portion of the light fixture shown broken away in FIGS. 1-5 to depict indeterminate length.

1 Claim, 4 Drawing Sheets



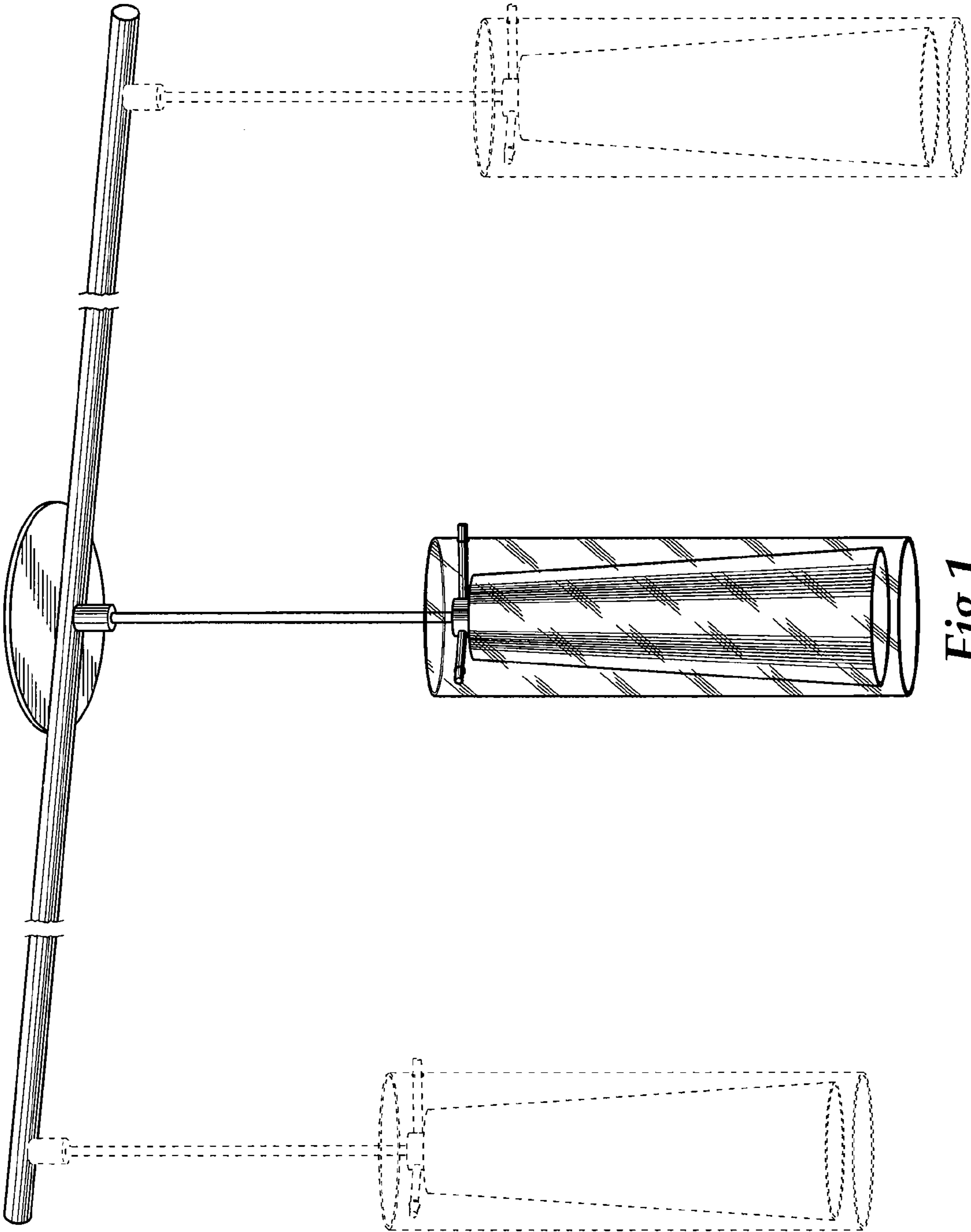


Fig.1

Fig. 2

