



US00D620179S

(12) **United States Design Patent**
Sabernig

(10) **Patent No.:** **US D620,179 S**
(45) **Date of Patent:** **** Jul. 20, 2010**

(54) **LIGHT FIXTURE**

(75) Inventor: **Robert Sabernig**, Munster (AT)

(73) Assignee: **EGLO Leuchten GmbH**, Innsbruck (AT)

(**) Term: **14 Years**

(21) Appl. No.: **29/354,786**

(22) Filed: **Jan. 28, 2010**

(51) **LOC (9) Cl.** **26-03**

(52) **U.S. Cl.** **D26/84; D26/90**

(58) **Field of Classification Search** D26/84-86,
D26/88-91, 118, 137; 362/147, 404-408,
362/431, 432

See application file for complete search history.

(56) **References Cited**

U.S. PATENT DOCUMENTS

D314,059 S *	1/1991	O'Neil	D26/73
D320,465 S *	10/1991	Sonneman	D26/86
D416,643 S *	11/1999	Benghozi	D26/86
D438,333 S *	2/2001	Lo	D26/131
D468,474 S *	1/2003	Poulton	D26/90
D493,568 S *	7/2004	Parres	D26/143
D563,594 S *	3/2008	Held	D26/118
D576,339 S *	9/2008	Porter	D26/86
D592,791 S *	5/2009	Sabernig	D26/84
D596,334 S *	7/2009	Sabernig	D26/88

OTHER PUBLICATIONS

“Waffle” Pendant #E20019-44 on p. 11 of the ET2 Lighting 2007 Catalog.*

“Blocs” Pendant# E22036-18 and Pendant#E22035-18 on p. 189 of the ET2 Lighting 2007 Catalog.*

“Caps” Pendants shown on p. 199 of the ET2 Lighting 2007 Catalog.*

* cited by examiner

Primary Examiner—Clare E Heflin

(74) *Attorney, Agent, or Firm*—Baker & McKenzie LLP

(57) **CLAIM**

The ornamental design for a light fixture, as shown and described.

DESCRIPTION

FIG. 1 is a perspective view of a light fixture in accordance with my design;

FIG. 2 is front elevation view of the light fixture in accordance with my design, the opposite view being a mirror image of that shown;

FIG. 3 is a bottom plan view of the light fixture in accordance with my design;

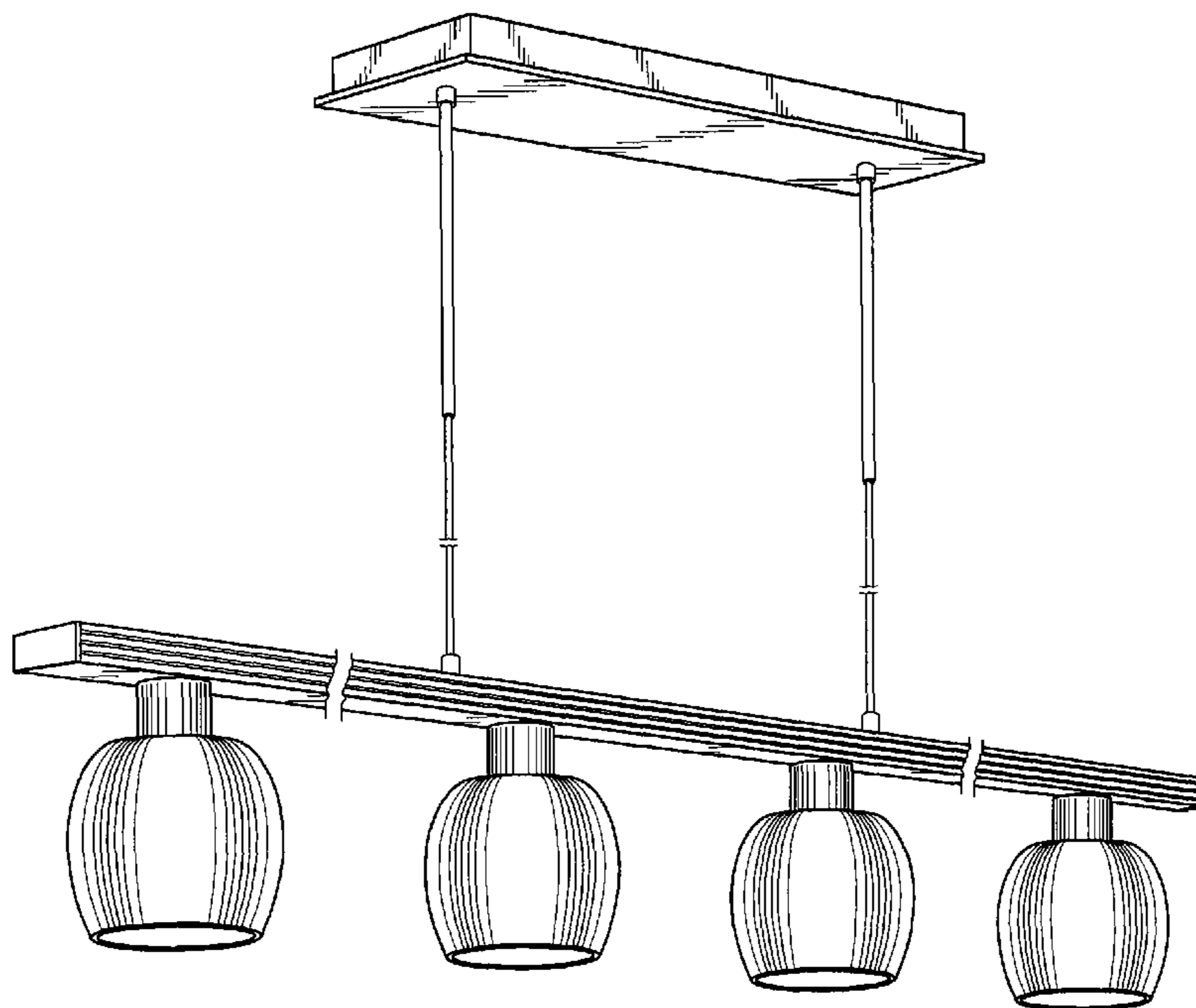
FIG. 4 is a top plan view of the light fixture in accordance with my design; and,

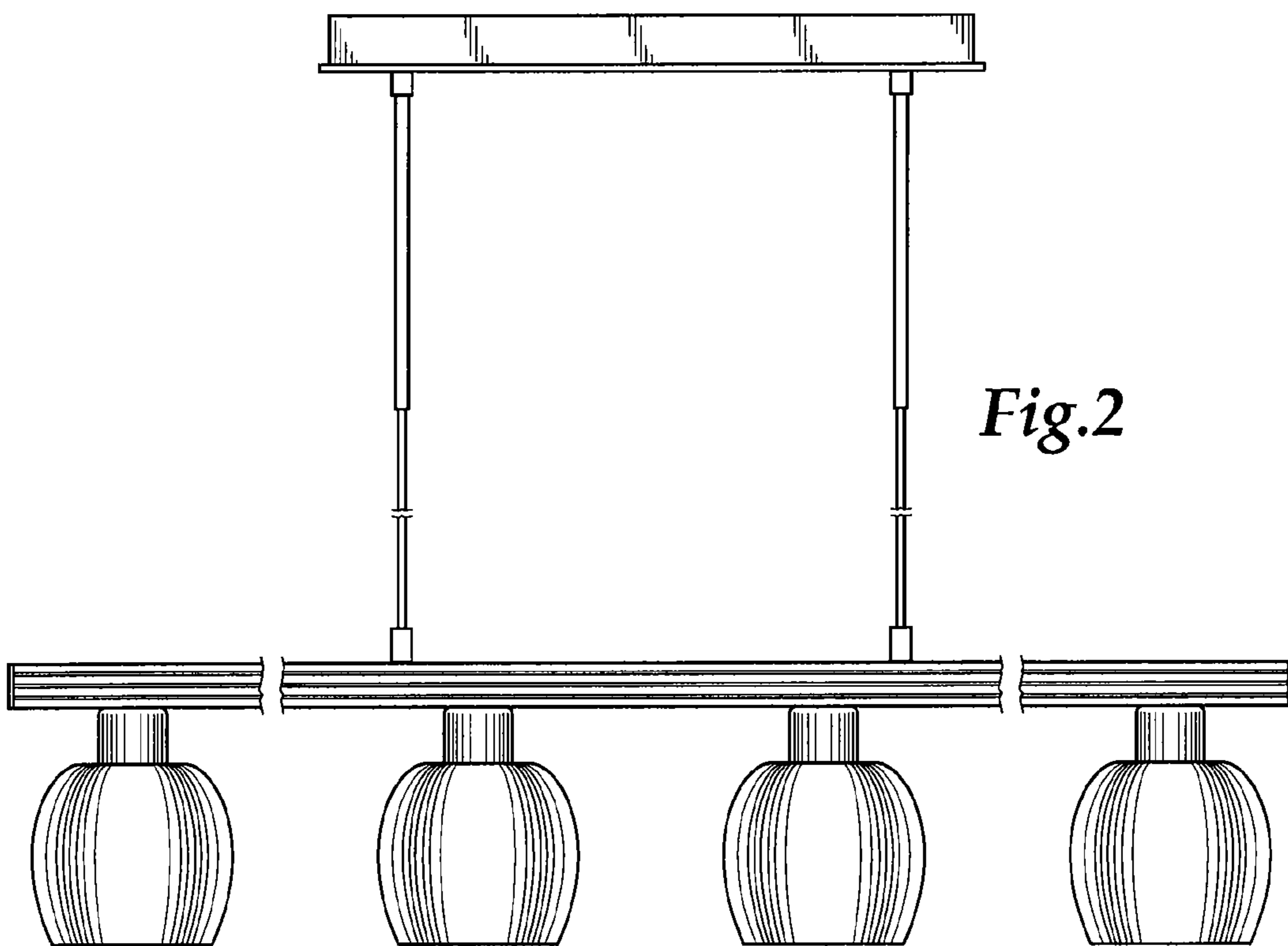
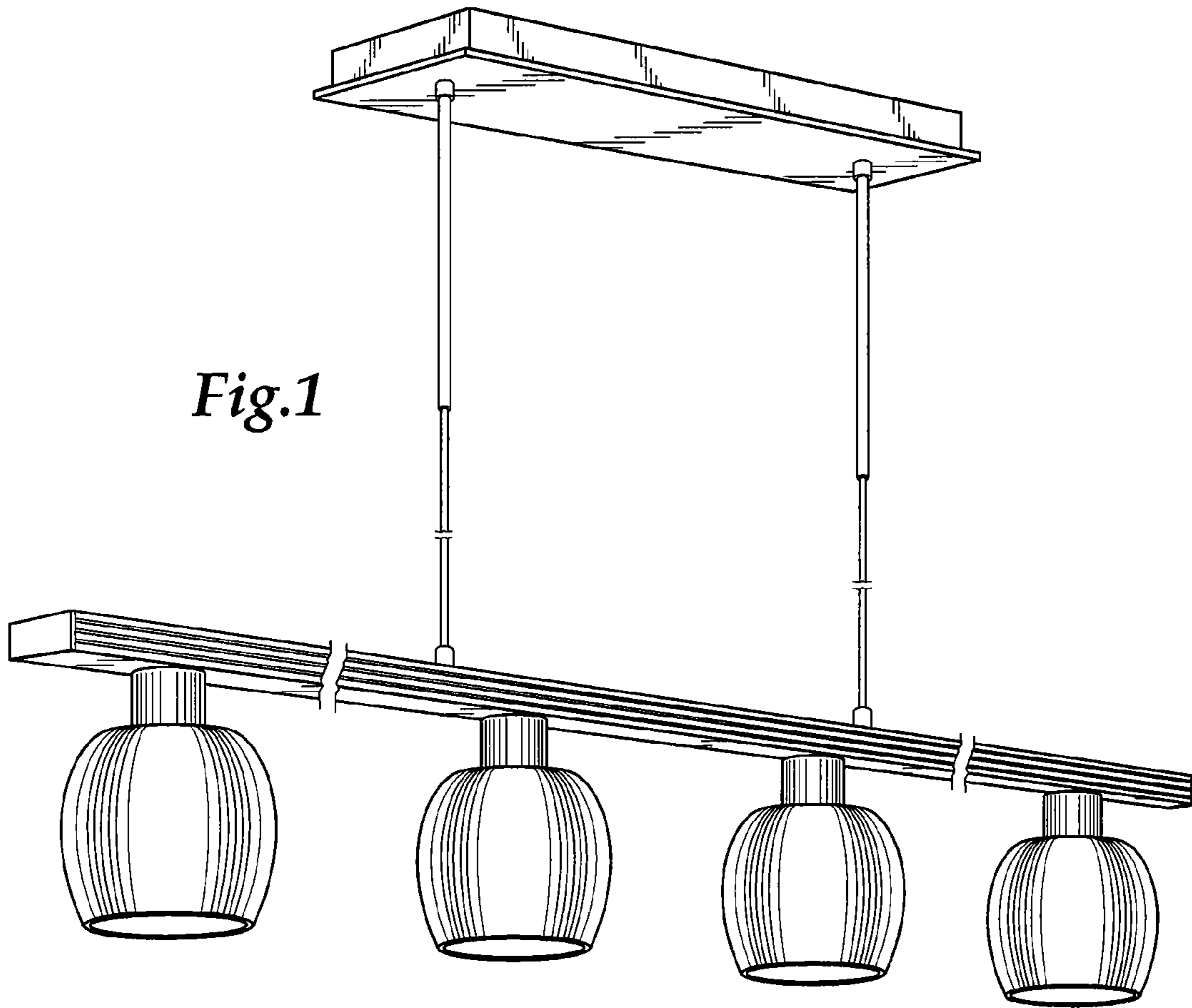
FIG. 5 is a side elevation view of the light fixture in accordance with my design, the opposite view being a mirror image of that shown.

The broken-line disclosure of elements is understood to represent portions of the article in which the design is embodied, but which form no part of the claimed design.

The portions of the light fixture shown broken away in FIGS. 1-5 are to depict indeterminate length.

1 Claim, 2 Drawing Sheets





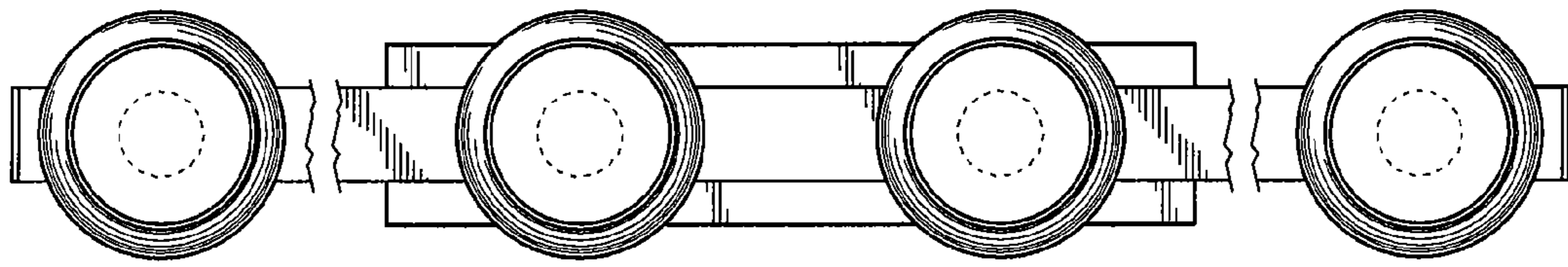


Fig.3

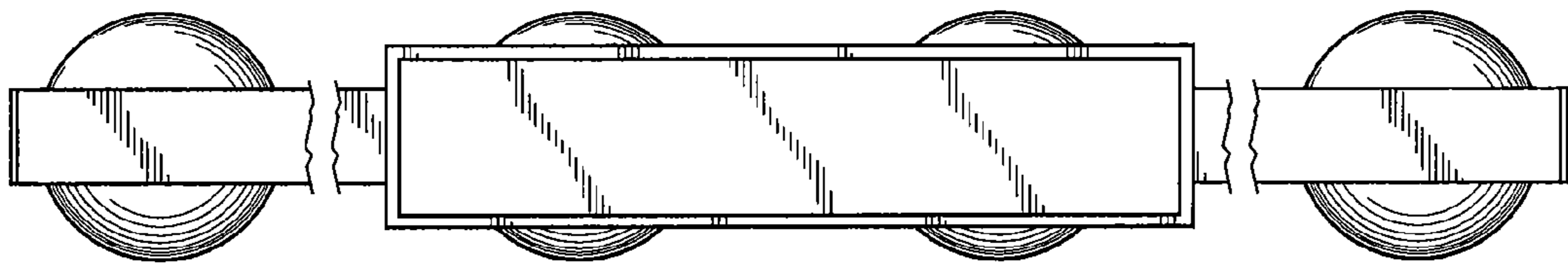


Fig.4

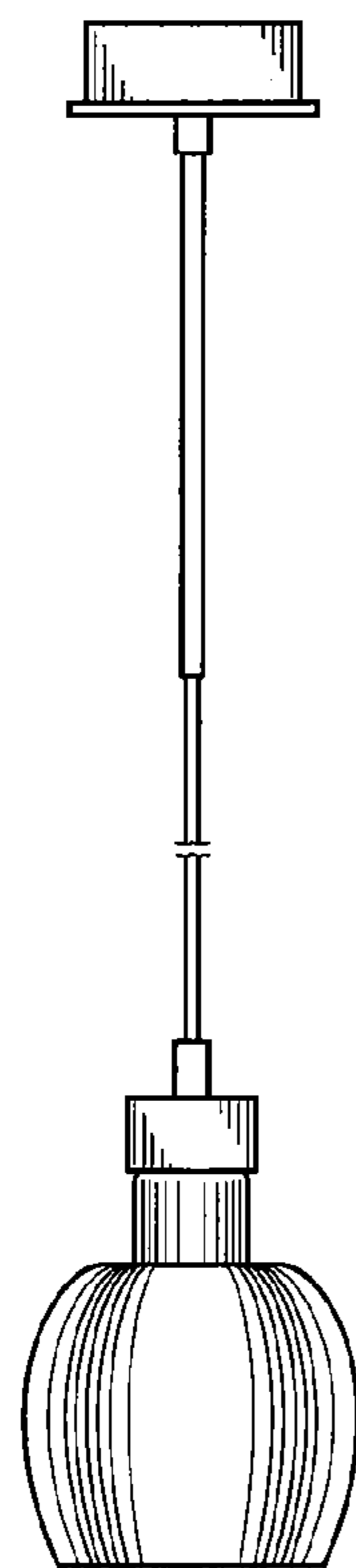


Fig.5